



US00D448026B1

(12) **United States Design Patent**
Nicklos et al.

(10) **Patent No.:** **US D448,026 S**

(45) **Date of Patent:** **** Sep. 18, 2001**

(54) **STORAGE DEVICE ENCLOSURE**

(75) Inventors: **Carl Nicklos; Stephanie Seaman;**
Doug Mayne, all of Ogden, UT (US);
Mark Ciesko, San Francisco, CA (US);
Dominic D'Andrea, San Francisco, CA
(US); **Norio Fujikawa**, San Francisco,
CA (US)

(73) Assignee: **Iomega Corporation**, Roy, UT (US)

(**) Term: **14 Years**

(21) Appl. No.: **29/125,447**

(22) Filed: **Jun. 23, 2000**

(51) **LOC (7) Cl.** **14-02**

(52) **U.S. Cl.** **D14/353**

(58) **Field of Search** D14/348, 356,
D14/361-363, 368, 355, 353, 426; D13/162,
184, 199; D6/432, 436, 445, 448; 312/99.12;
369/34, 36; 361/680-686

(56) **References Cited**

U.S. PATENT DOCUMENTS

D. 308,966 * 7/1990 Alfonso et al. D14/368

D. 346,593 * 5/1994 Mizusugi et al. D14/368

D. 350,735 * 9/1994 Karlin et al. D14/426

D. 358,138 * 5/1995 Koyanagi et al. D14/368

D. 422,574 * 4/2000 Fujii et al. D14/368

* cited by examiner

Primary Examiner—Freda Nunn

(74) *Attorney, Agent, or Firm*—Parsons, Behle & Latimer

(57) **CLAIM**

The ornamental design for a storage device enclosure, as shown and described.

DESCRIPTION

FIG. 1 is a perspective view of a storage device enclosure showing a preferred embodiment of our new design, which preferred embodiment is also shown in FIGS. 2-7;

FIG. 2 is a side view;

FIG. 3 is another side view;

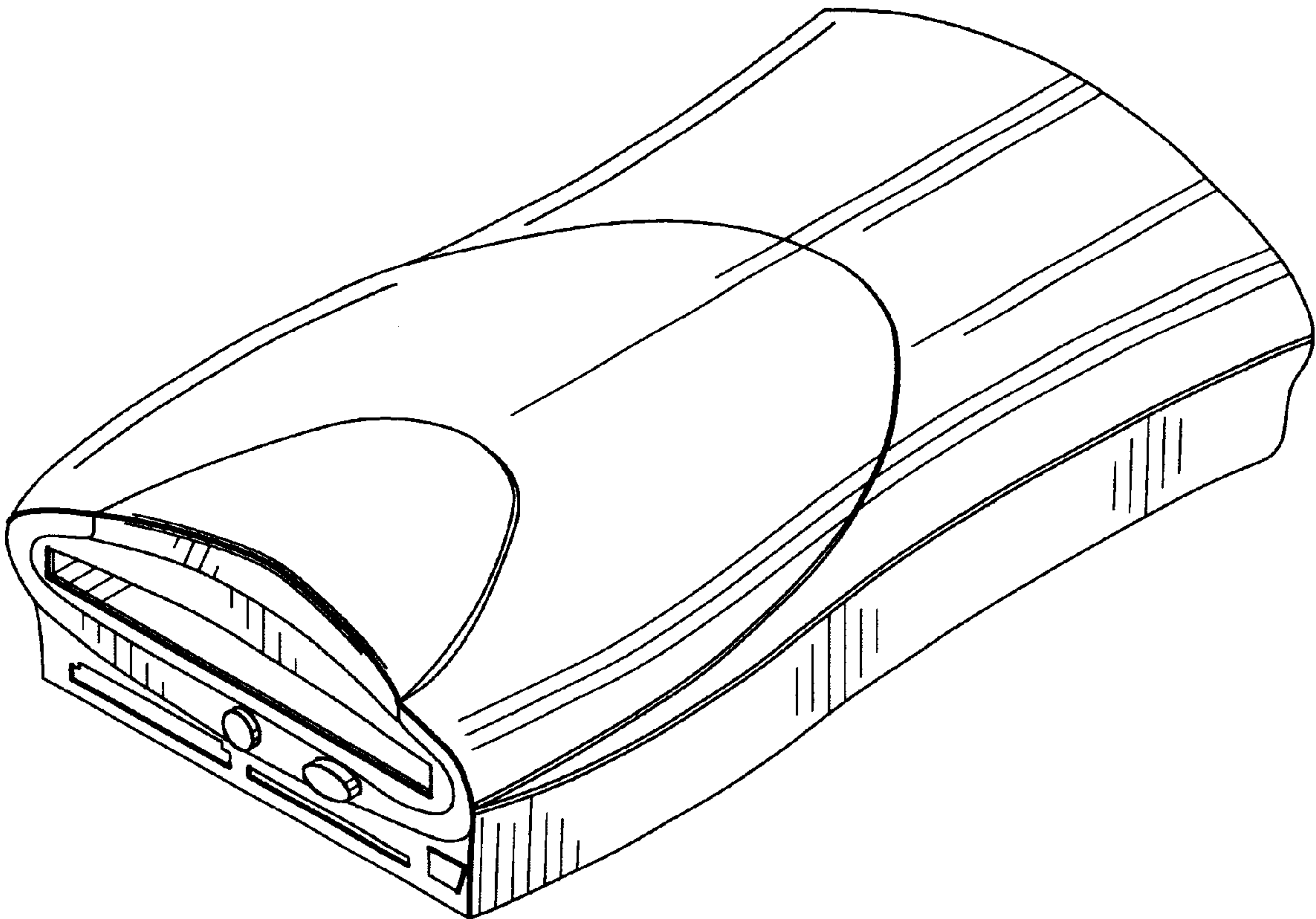
FIG. 4 is a top view;

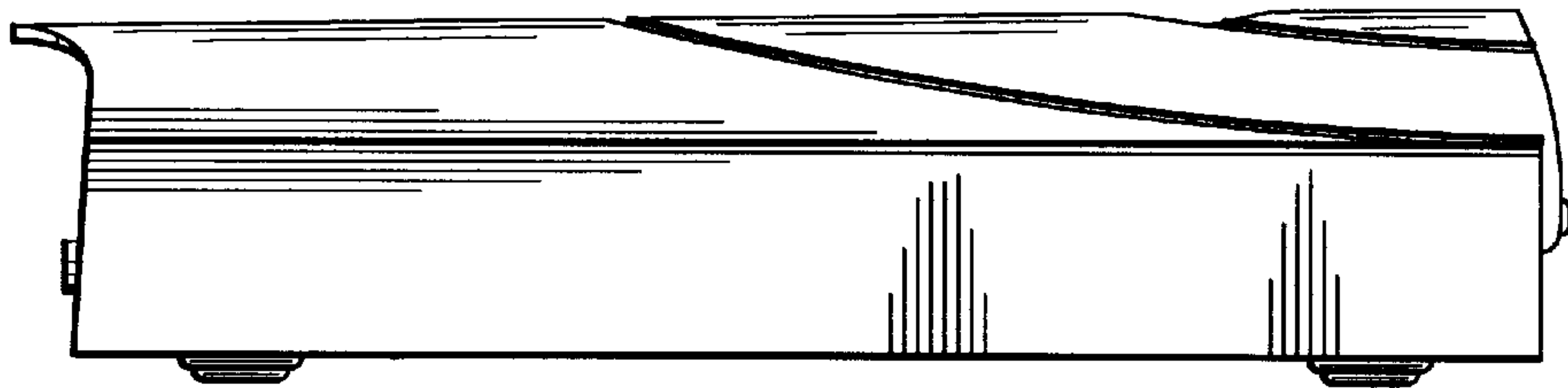
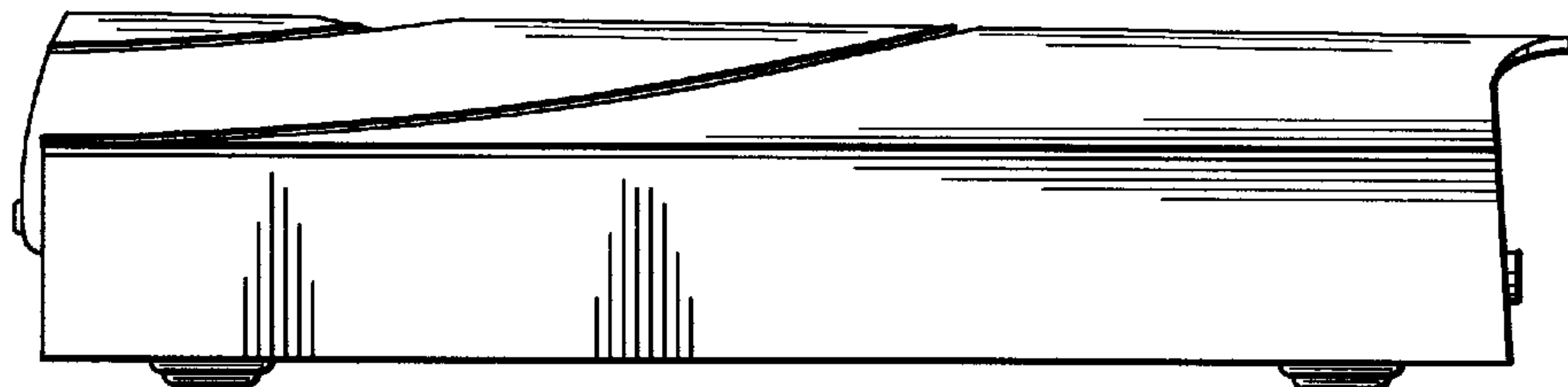
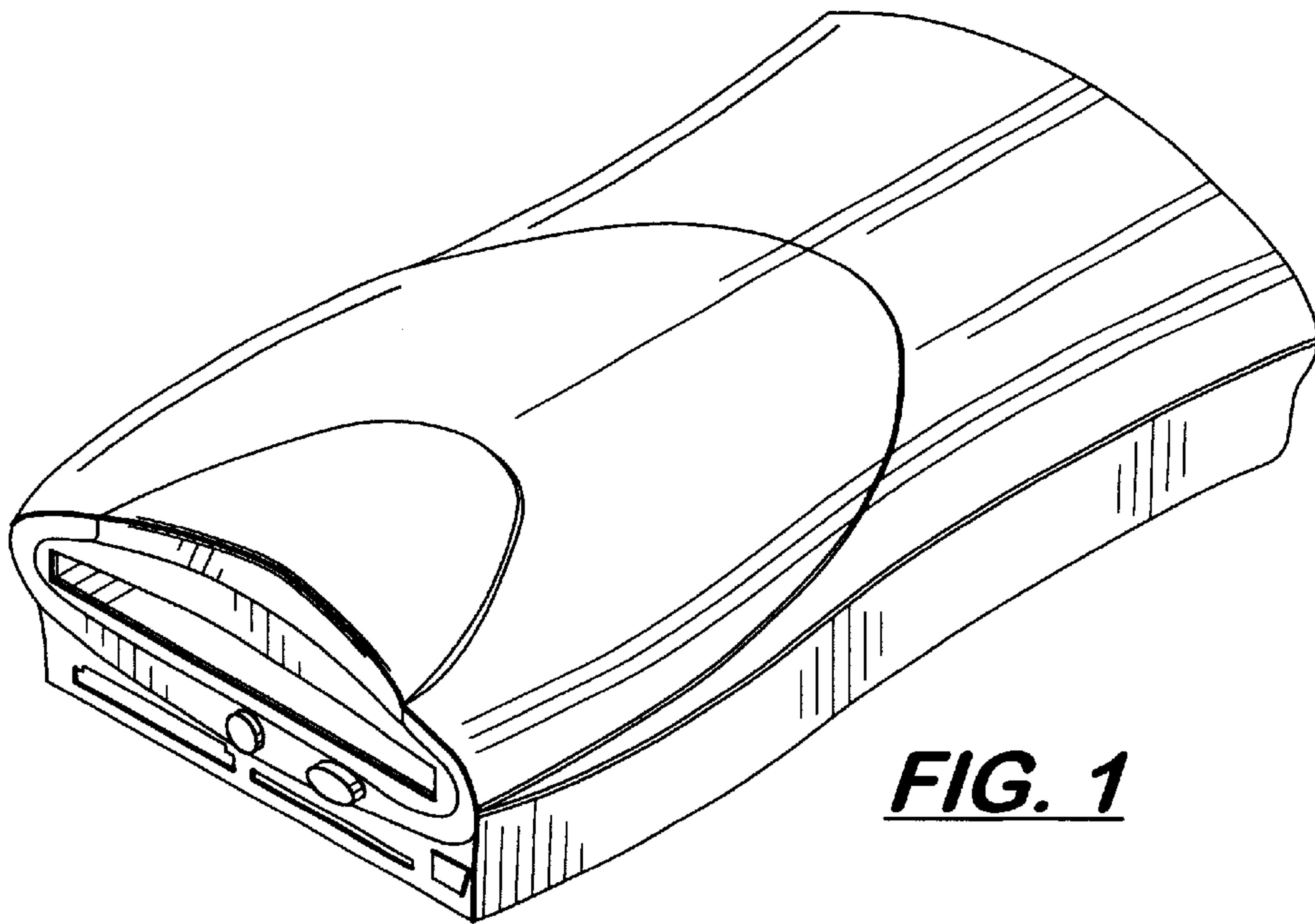
FIG. 5 is a bottom view;

FIG. 6 is a front view; and,

FIG. 7 is a back view.

1 Claim, 2 Drawing Sheets





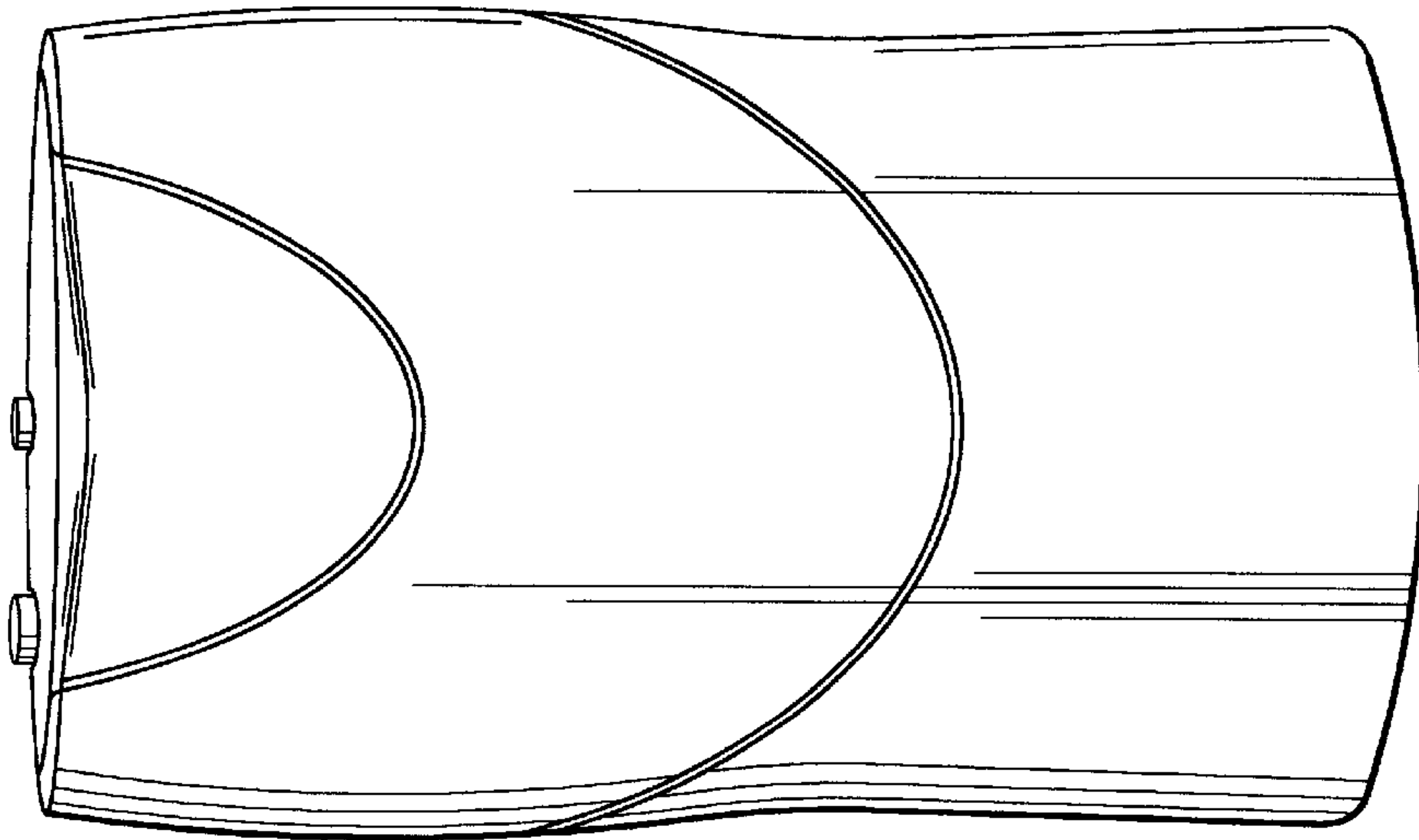


FIG. 4

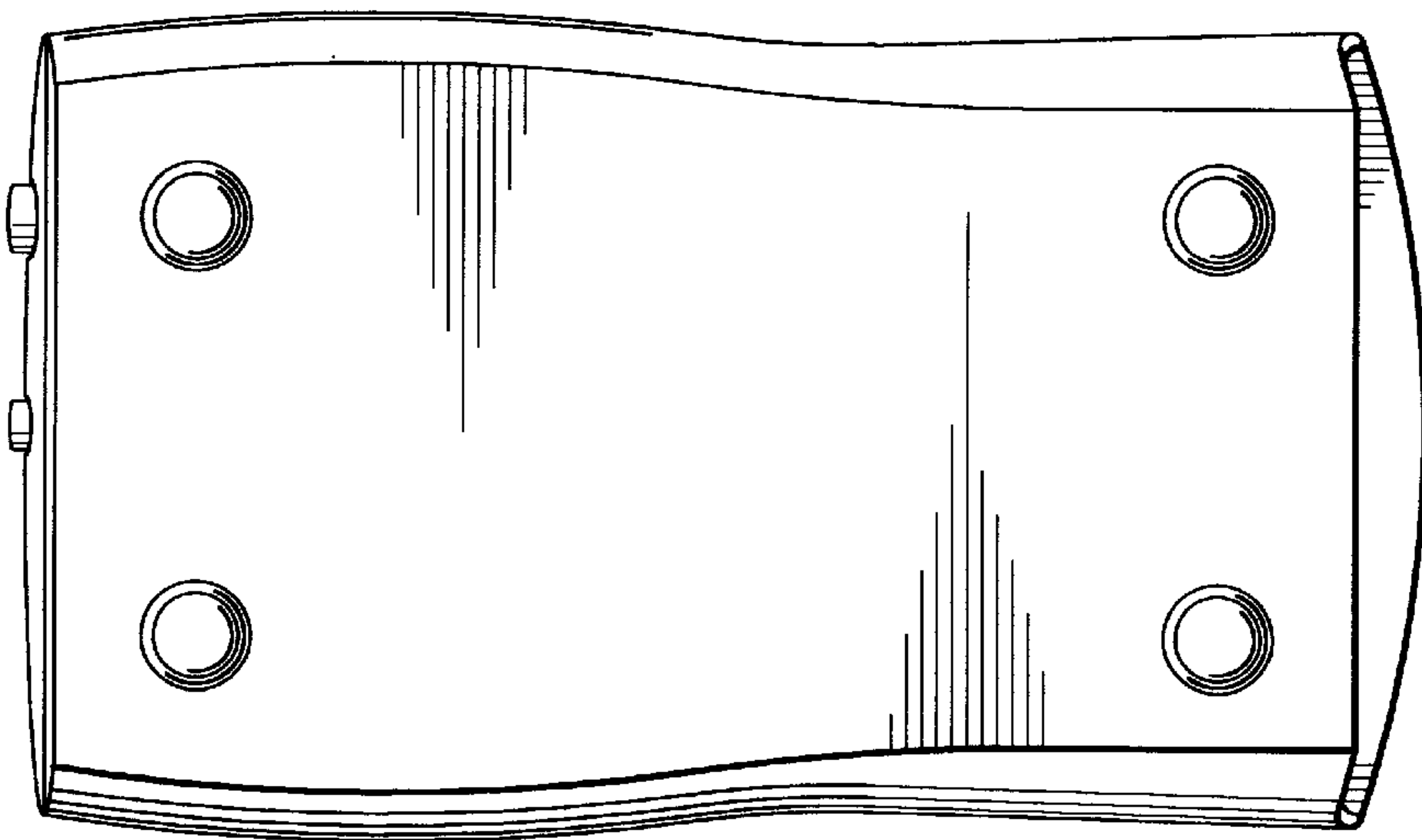


FIG. 5

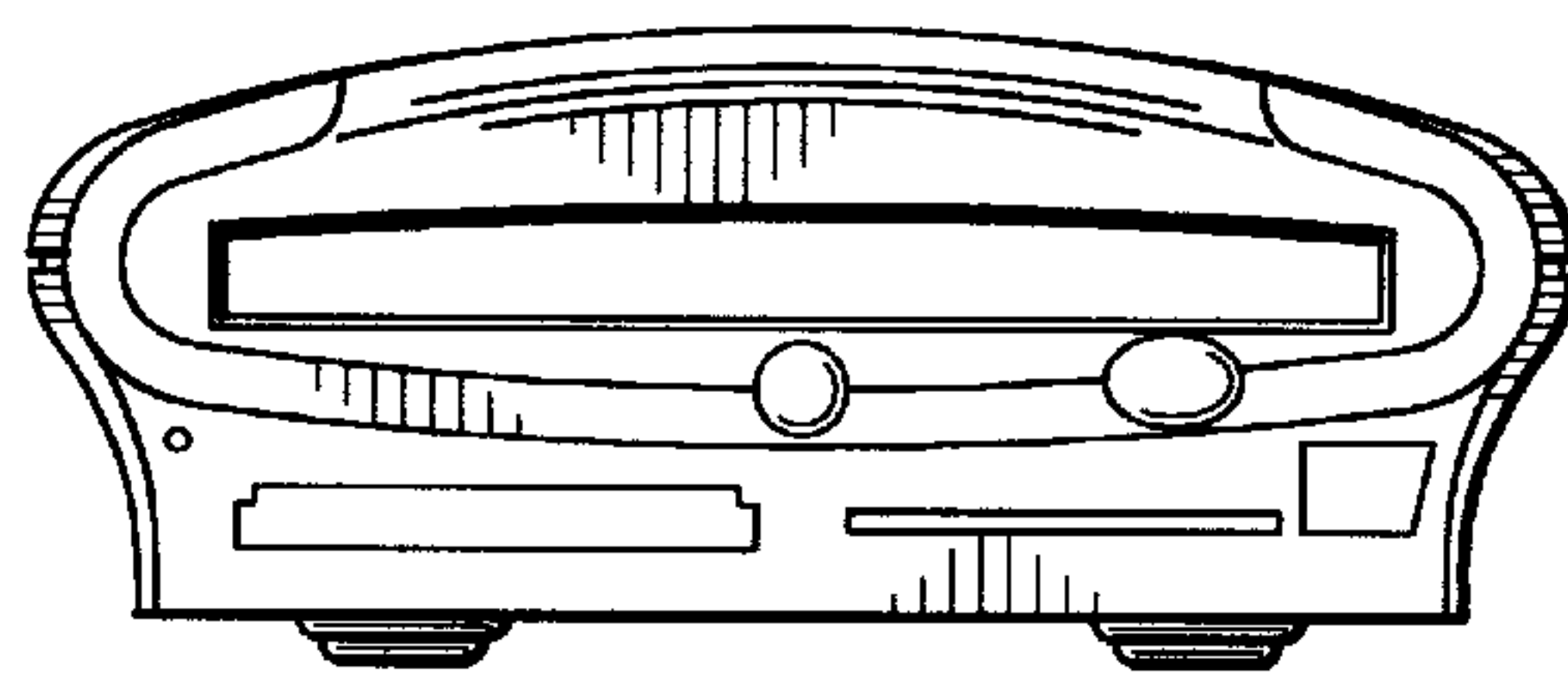


FIG. 6

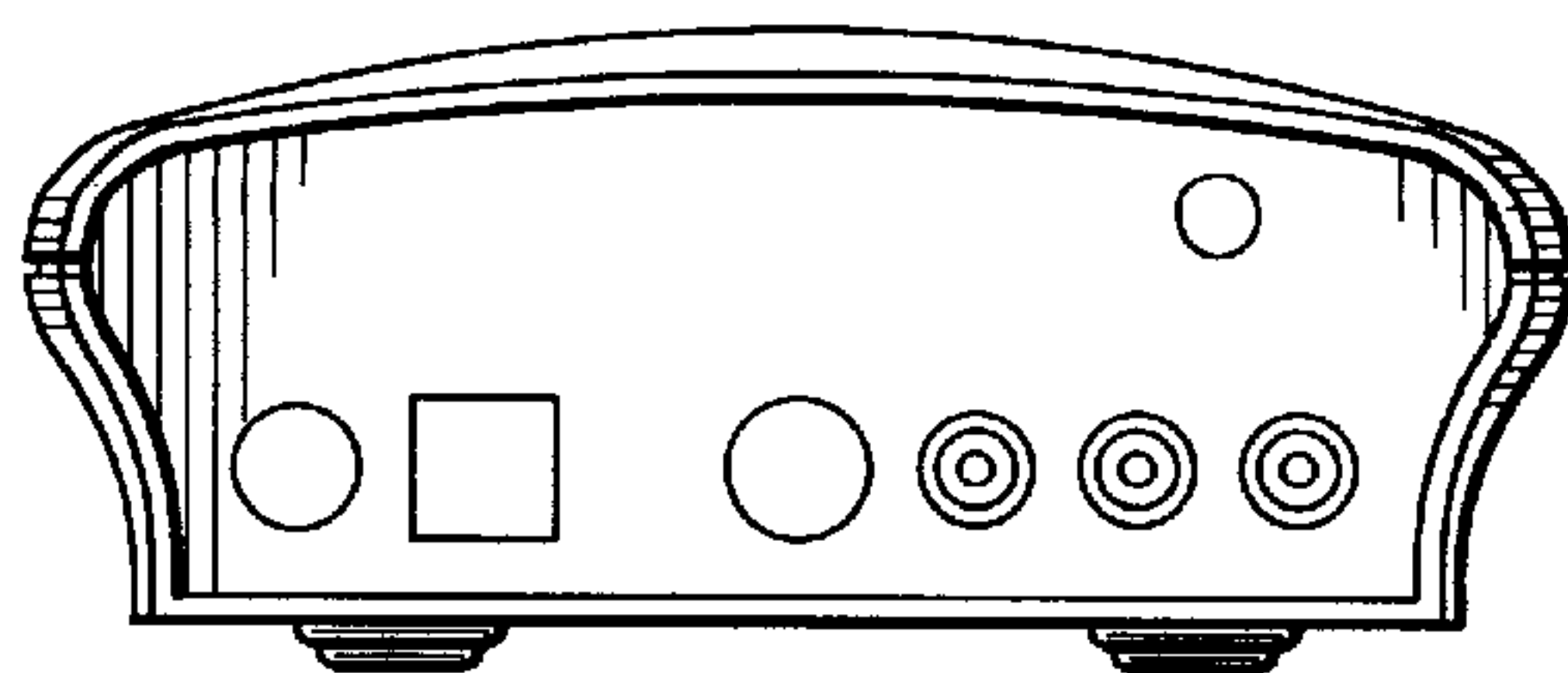


FIG. 7