



US00D448025B1

(12) **United States Design Patent**
Stout et al.

(10) **Patent No.:** **US D448,025 S**

(45) **Date of Patent:** **** Sep. 18, 2001**

(54) **STORAGE DEVICE ENCLOSURE**

(75) Inventors: **Marty L. Stout**, Ogden; **Brett K. Webb**, Bountiful; **Jeffrey C. O'Bryan**, Murray, all of UT (US); **Ludwin M. Mora**, Worthington, OH (US); **Don I. Jacob**, Kaysville, UT (US)

(73) Assignee: **Iomega Corporation**, Roy, UT (US)

(**) Term: **14 Years**

(21) Appl. No.: **29/125,446**

(22) Filed: **Jun. 23, 2000**

(51) **LOC (7) Cl.** **14-02**

(52) **U.S. Cl.** **D14/353**

(58) **Field of Search** D14/348, 356,
D14/361-363, 368, 353, 355, 426; D13/162,
184, 199; D6/432, 436, 445, 448; 312/99.12;
369/34, 36; 361/680-686

(56) **References Cited**

U.S. PATENT DOCUMENTS

- D. 308,966 * 7/1990 Alfonso et al. D14/368
- D. 346,593 * 5/1994 Mizusugi et al. D14/368

- D. 347,212 * 5/1994 Riley D14/355
- D. 350,735 * 9/1994 Karlin et al. D14/426
- D. 357,903 * 5/1995 Lin D14/353
- D. 358,138 * 5/1995 Koyanagi et al. D14/368
- D. 422,574 * 4/2000 Fujii et al. D14/368

* cited by examiner

Primary Examiner—Freda Nunn

(74) *Attorney, Agent, or Firm*—Parsons, Behle & Latimer

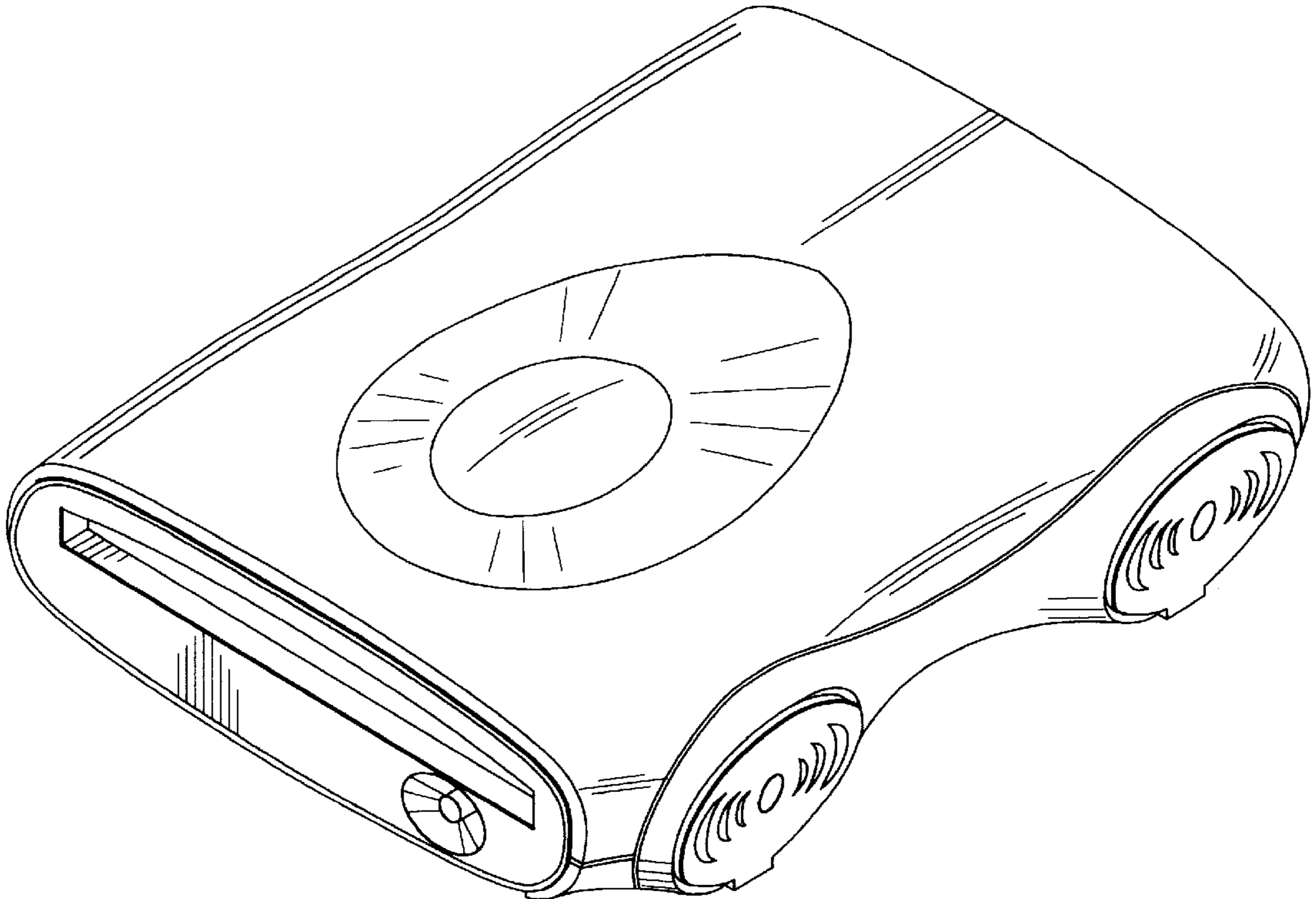
(57) **CLAIM**

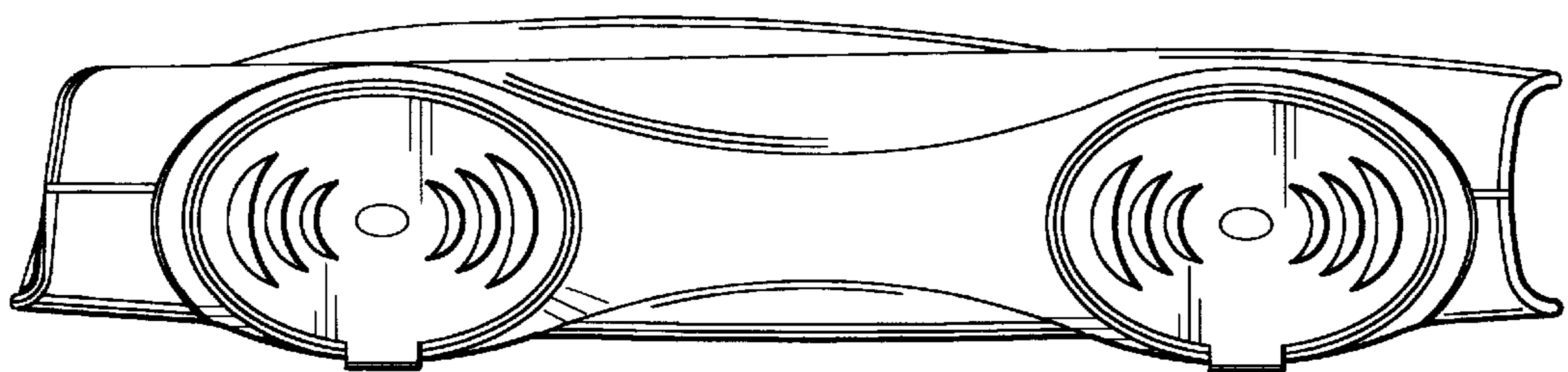
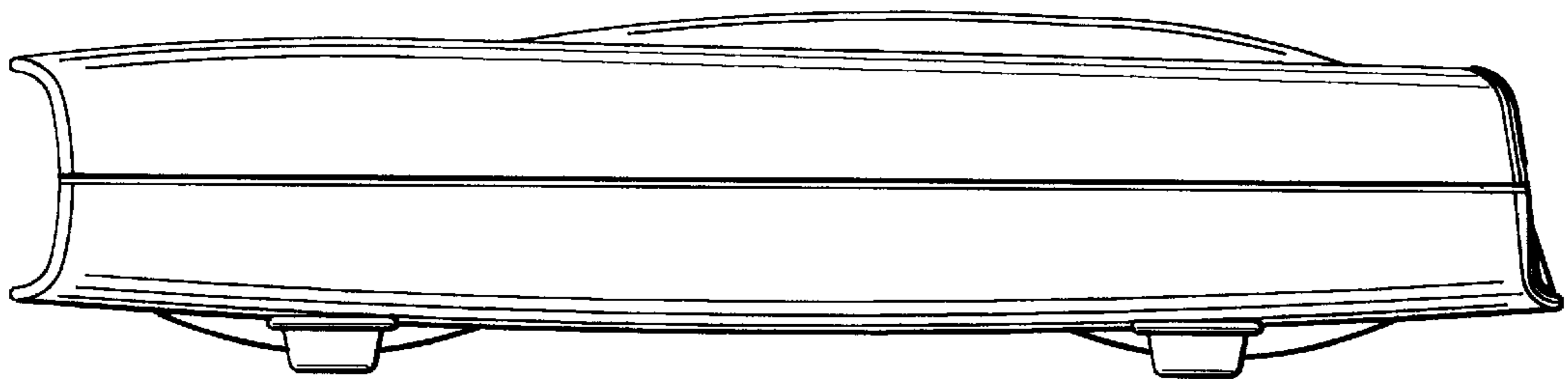
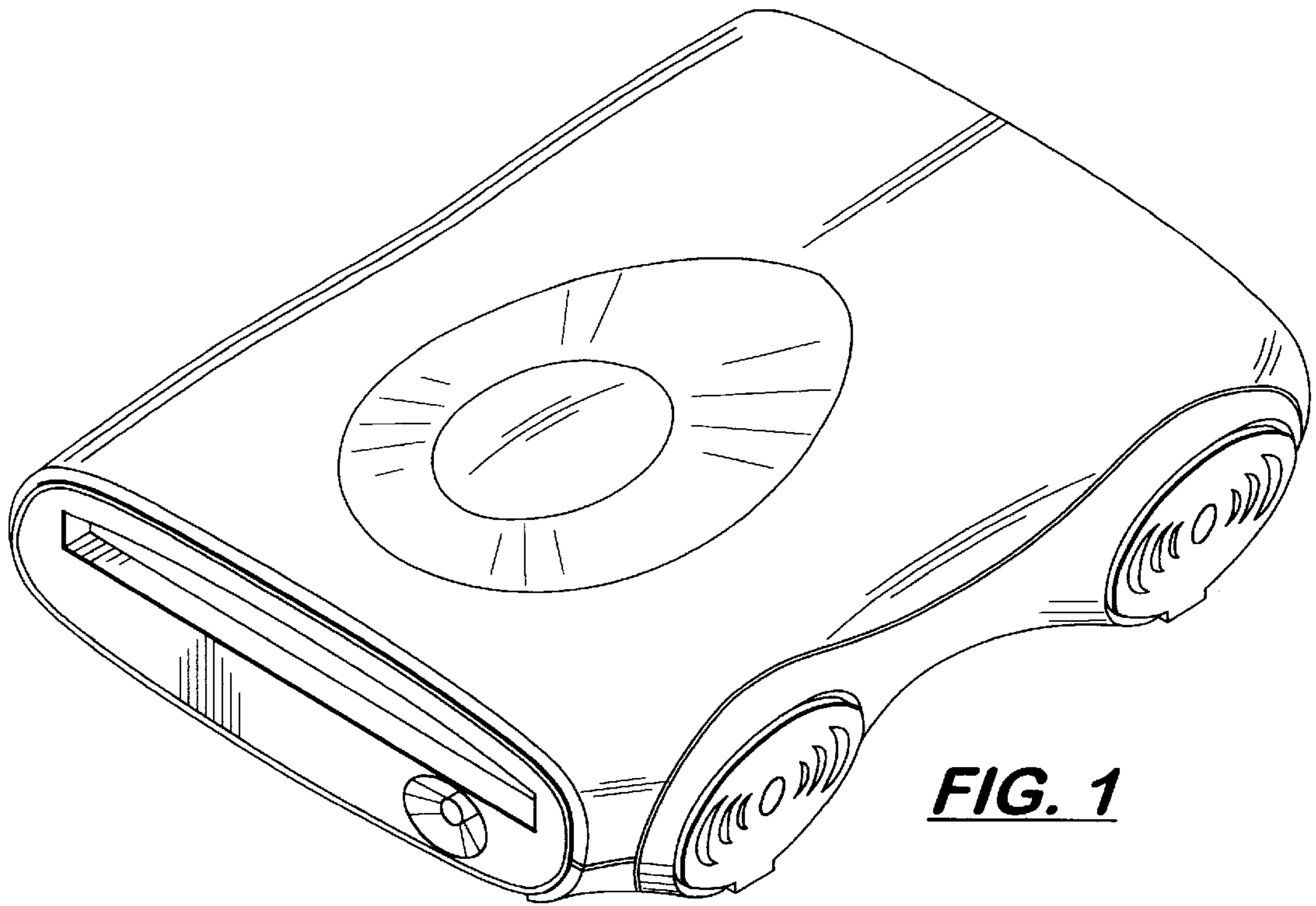
The ornamental design for a storage device enclosure, as shown and described.

DESCRIPTION

FIG. 1 is a top perspective view of a storage device enclosure showing a preferred embodiment of our design, which preferred embodiment is also shown in FIGS. 2-7; FIG. 2 is a left side view; FIG. 3 is a right side view; FIG. 4 is a top view; FIG. 5 is a bottom view; FIG. 6 is a front view; and, FIG. 7 is a rear view.

1 Claim, 3 Drawing Sheets





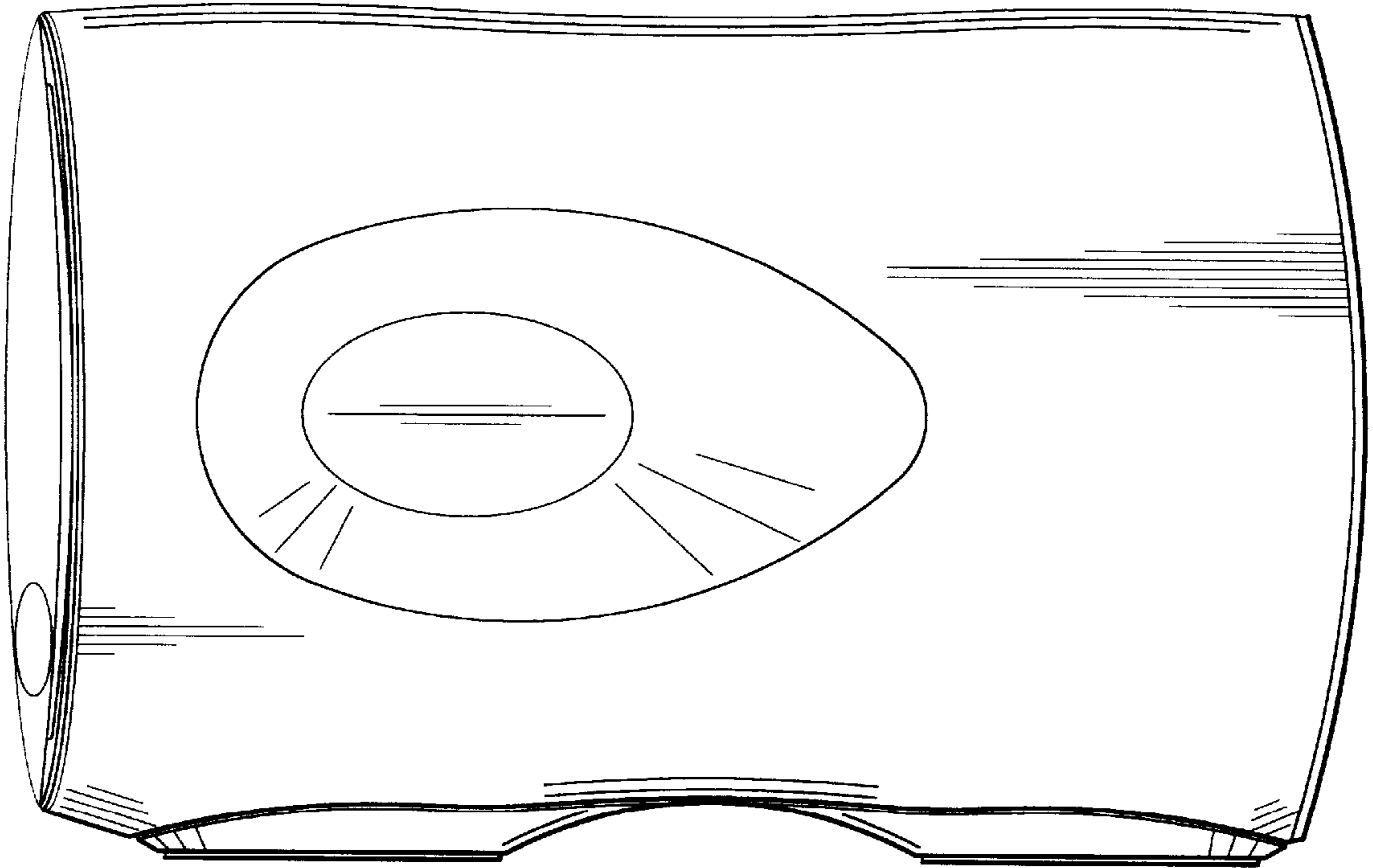


FIG. 4

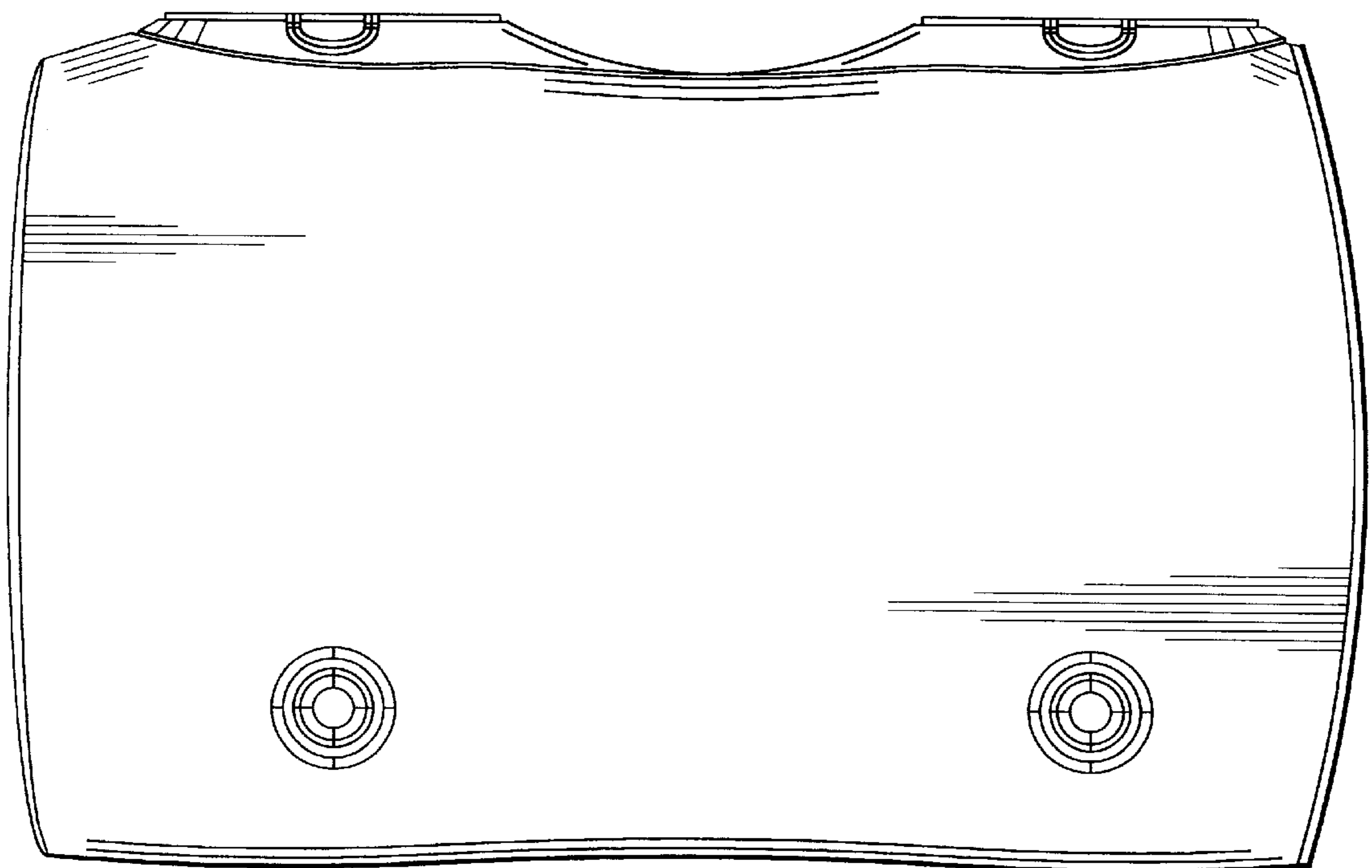


FIG. 5

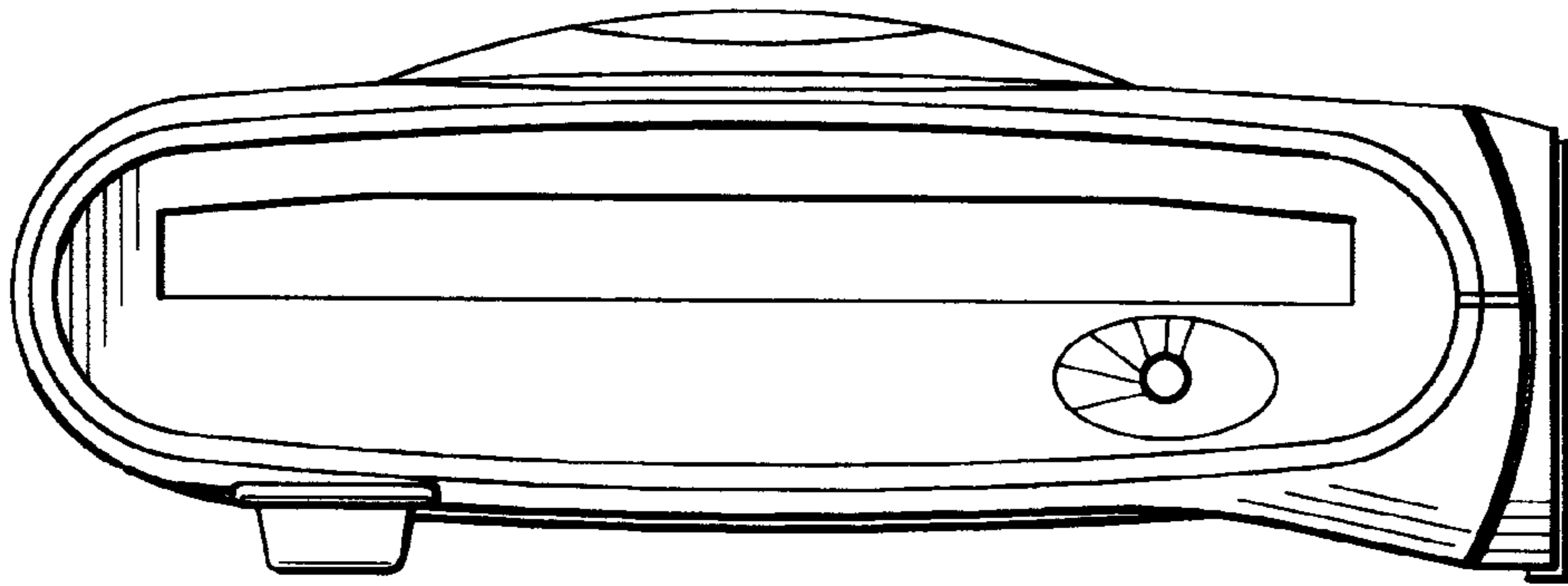


FIG. 6

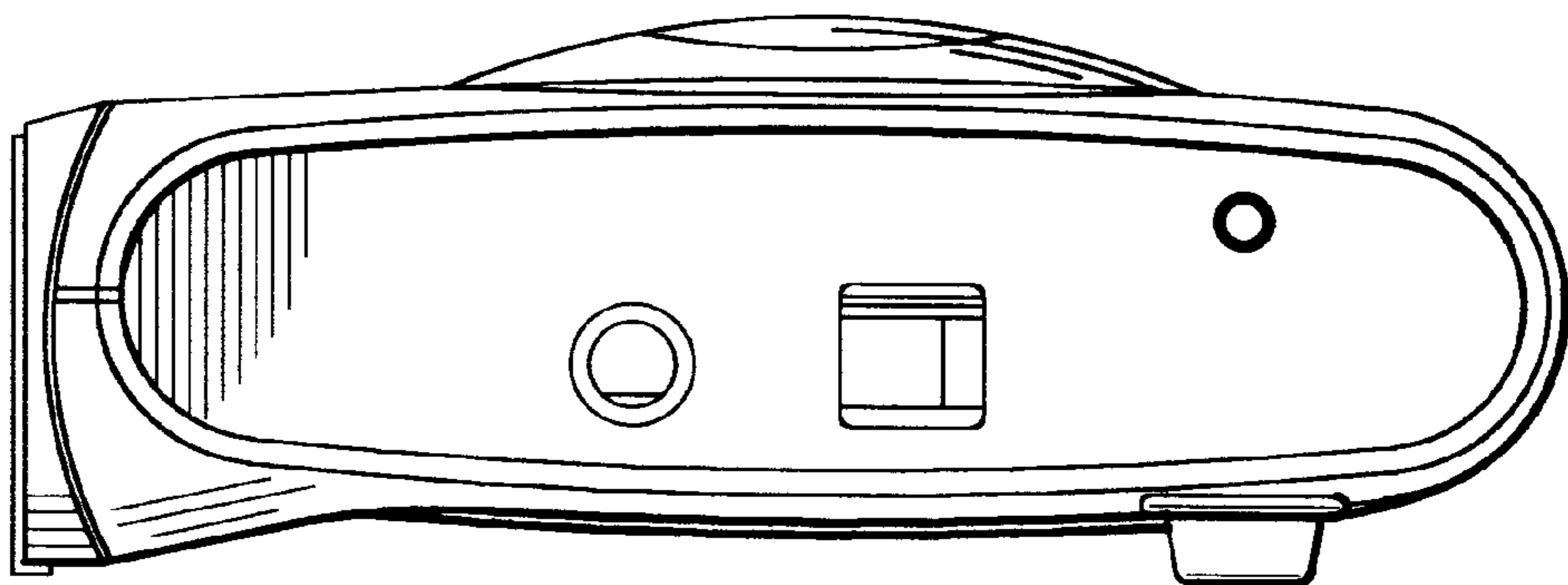


FIG. 7