



US00D448021B1

(12) **United States Design Patent**  
**Arbisi et al.**

(10) **Patent No.:** **US D448,021 S**

(45) **Date of Patent:** **\*\* Sep. 18, 2001**

(54) **KEY ARRAY AREA OF A HANDSET**

(75) Inventors: **Tom Arbisi**, Newbury Park; **Todd Wood**, Thousand Oaks, both of CA (US)

(73) Assignee: **Nokia Mobile Phones Ltd.**, Espoo (FI)

(\*\*) Term: **14 Years**

(21) Appl. No.: **29/129,098**

(22) Filed: **Sep. 7, 2000**

(51) **LOC (7) Cl.** ..... **14-03**

(52) **U.S. Cl.** ..... **D14/248; D14/249**

(58) **Field of Search** ..... D14/137, 138, D14/218, 147-148, 247-248, 144, 249, 341-347; 379/433.434, 419, 420, 428, 440, 368, 364, 370; 455/550-575, 90

(56) **References Cited**

**U.S. PATENT DOCUMENTS**

D. 390,555	*	2/1998	Finke-Anlauff	.....	D14/138
D. 395,431	*	6/1998	Harris et al.	.....	D14/138
D. 396,230	*	7/1998	Phillips et al.	.....	D14/138
D. 397,689	*	9/1998	Harris et al.	.....	D14/138
D. 402,980	*	12/1998	Galletti et al.	.....	D14/138
D. 402,981	*	12/1998	Galletti et al.	.....	D14/138
D. 408,824	*	4/1999	Johansson et al.	.....	D14/247
D. 409,204	*	5/1999	Vuolteenaho	.....	D14/247
D. 409,599	*	5/1999	Tattari	.....	D14/138
D. 409,600	*	5/1999	Yang et al.	.....	D14/138

D. 412,704	*	8/1999	Vuolteenaho et al.	.....	D14/138
D. 415,149	*	10/1999	Vuolteenaho et al.	.....	D14/138
D. 415,489	*	10/1999	Ke	.....	D14/138
D. 422,596	*	4/2000	Nakahara et al.	.....	D14/247
D. 424,571	*	5/2000	Finkbeiner	.....	D14/247
D. 428,401	*	7/2000	Curtis	.....	D14/138
D. 429,228	*	8/2000	Nagele et al.	.....	D14/138
D. 429,707	*	8/2000	Park	.....	D14/138
D. 434,402	*	11/2000	Lee	.....	D14/138
D. 438,184	*	2/2001	Suzuki et al.	.....	D14/138
D. 439,230	*	3/2001	Braxton et al.	.....	D14/138

\* cited by examiner

*Primary Examiner*—Jeffrey Asch

(74) *Attorney, Agent, or Firm*—Jubin Dana; Brian T. Rivers

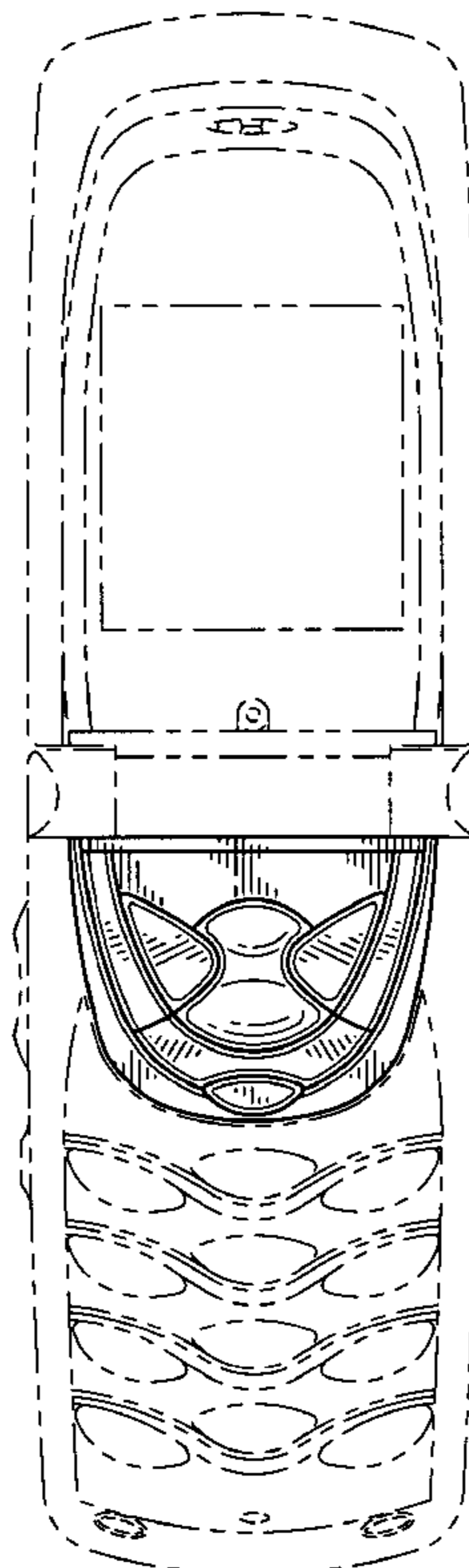
(57) **CLAIM**

The ornamental design for a key array area of a handset, as shown.

**DESCRIPTION**

FIG. 1 is a perspective front view of the handset; FIG. 2 is a front view of the handset in the open position showing the key array area; FIG. 3 is a perspective front view of the handset in the open position showing the key array area; FIG. 4 is a rear view of the handset; and, FIG. 5 is a right side view of the handset in the open position. The broken line showings of the handset are for illustrative purposes only and form no part of the claimed design.

**1 Claim, 2 Drawing Sheets**



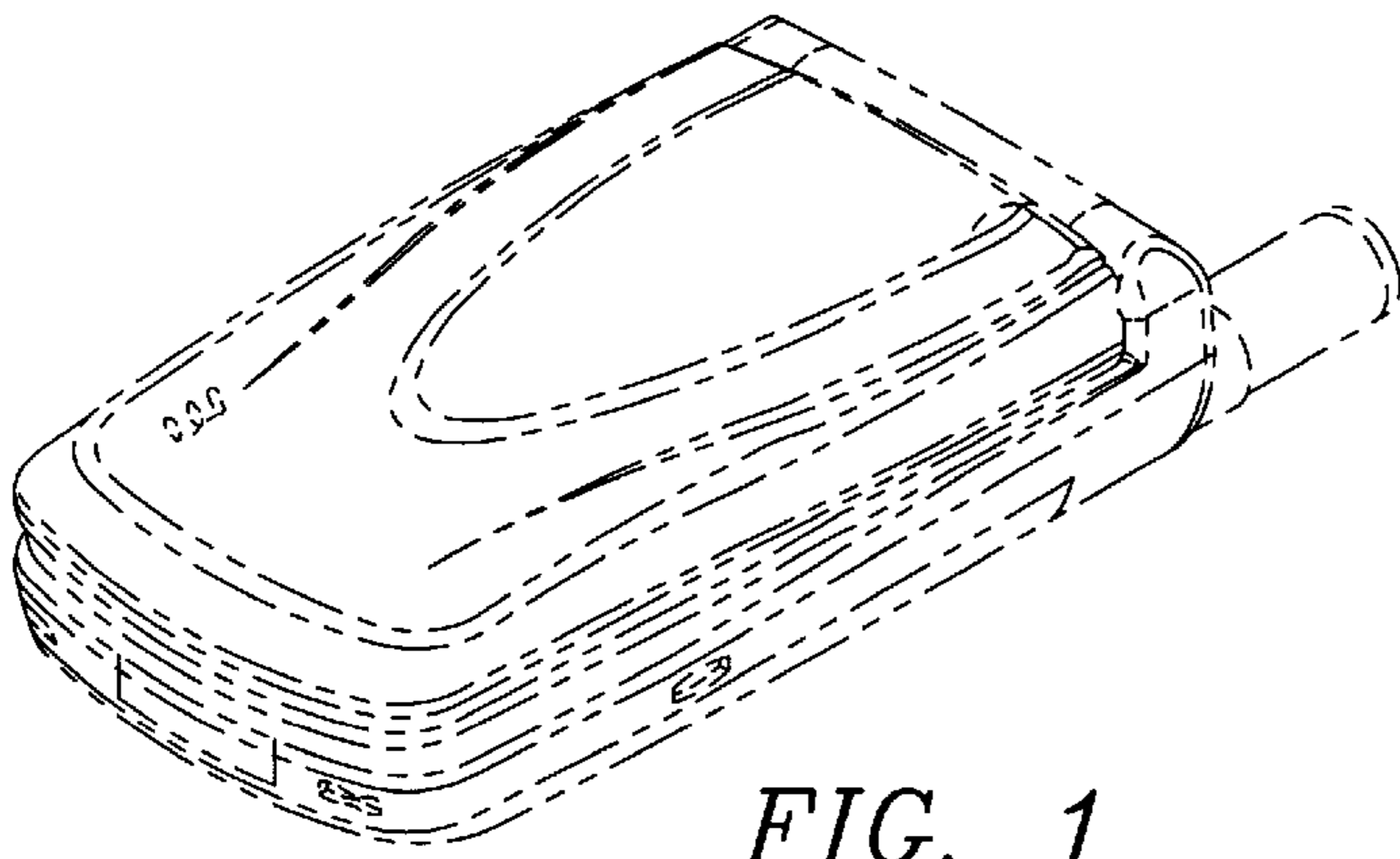


FIG. 1

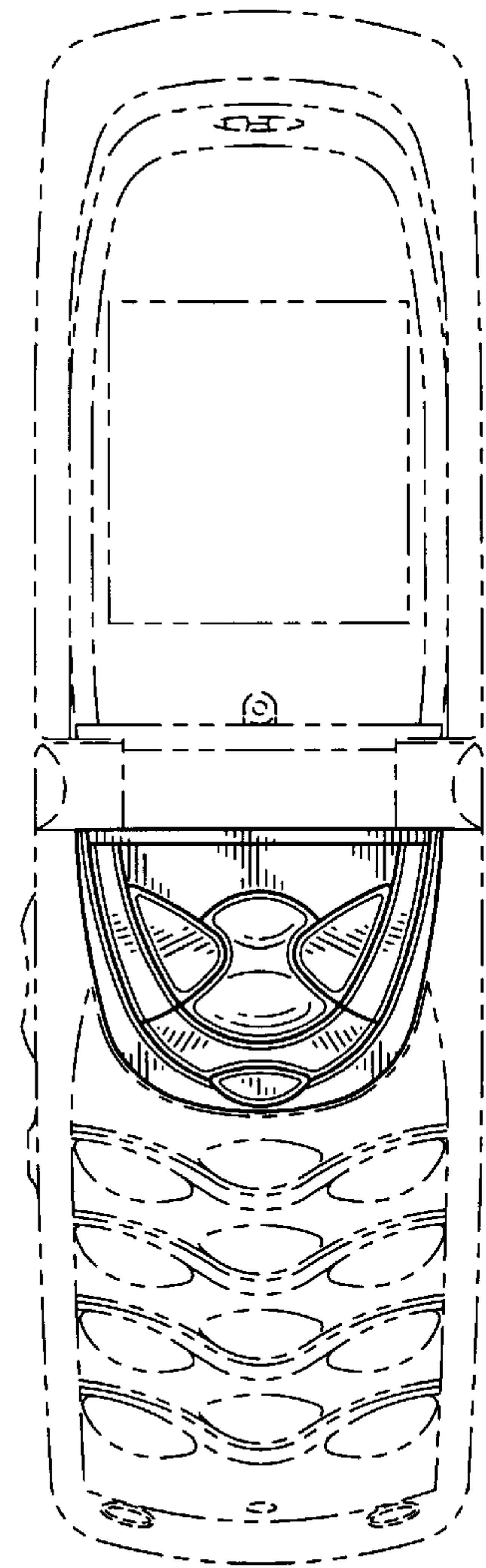


FIG. 2

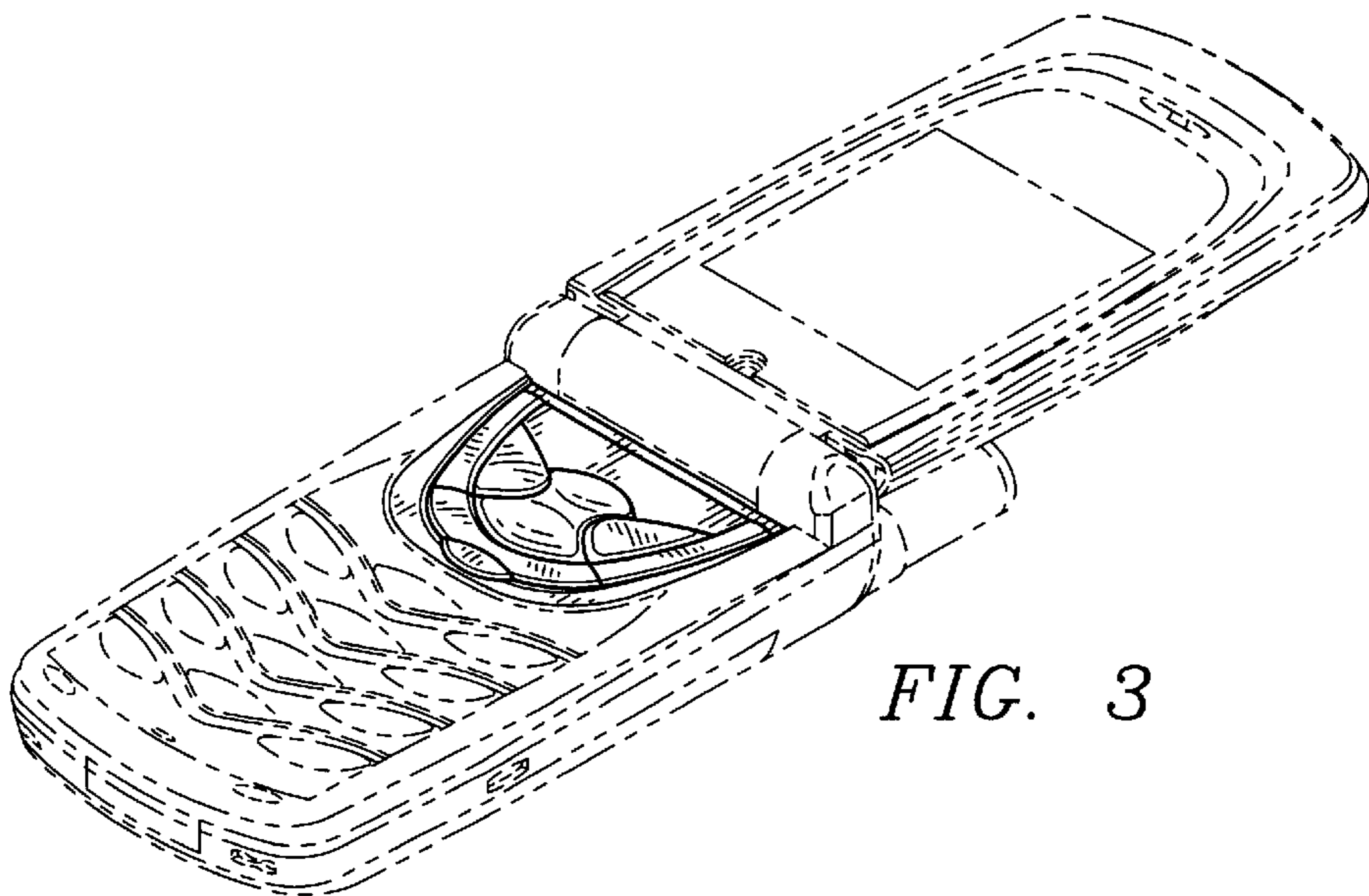


FIG. 3

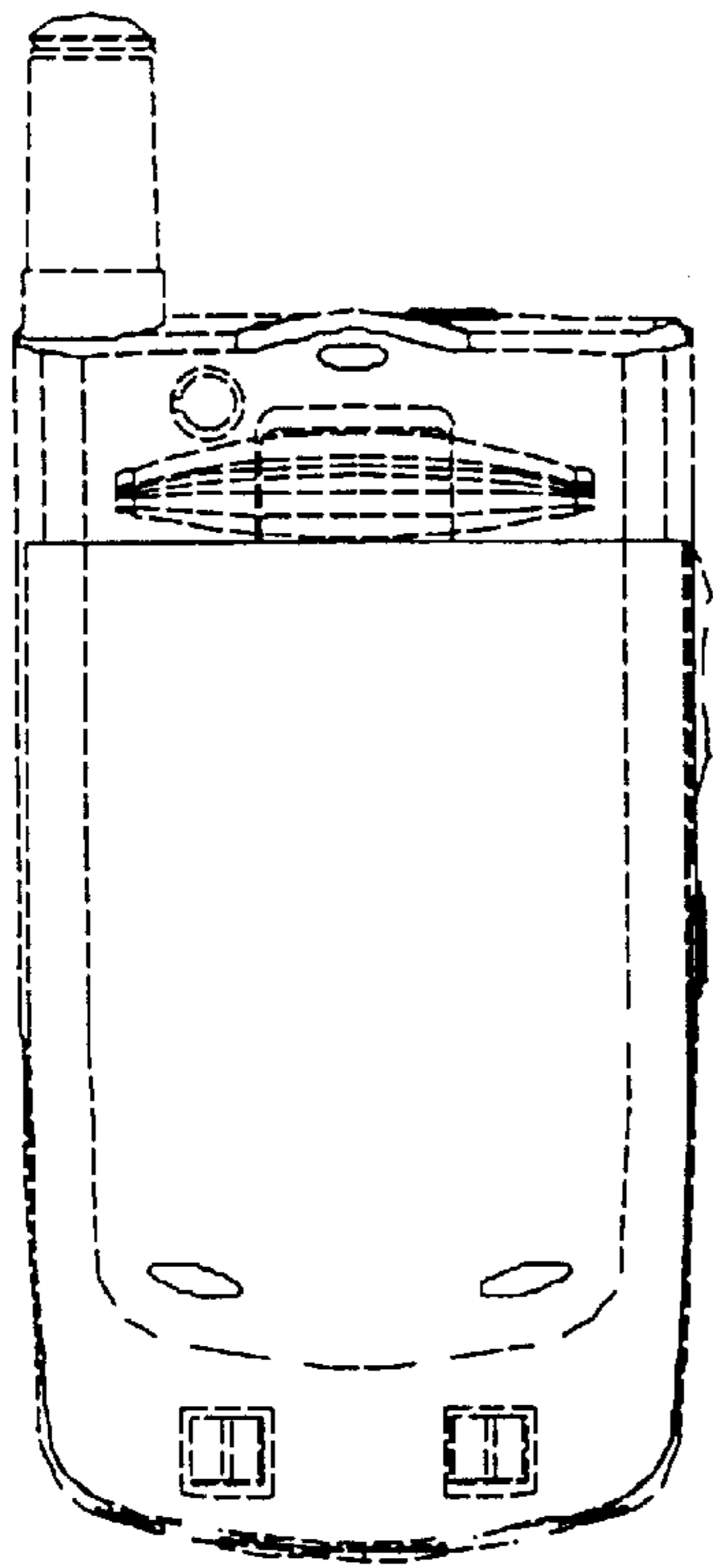


Fig. 4

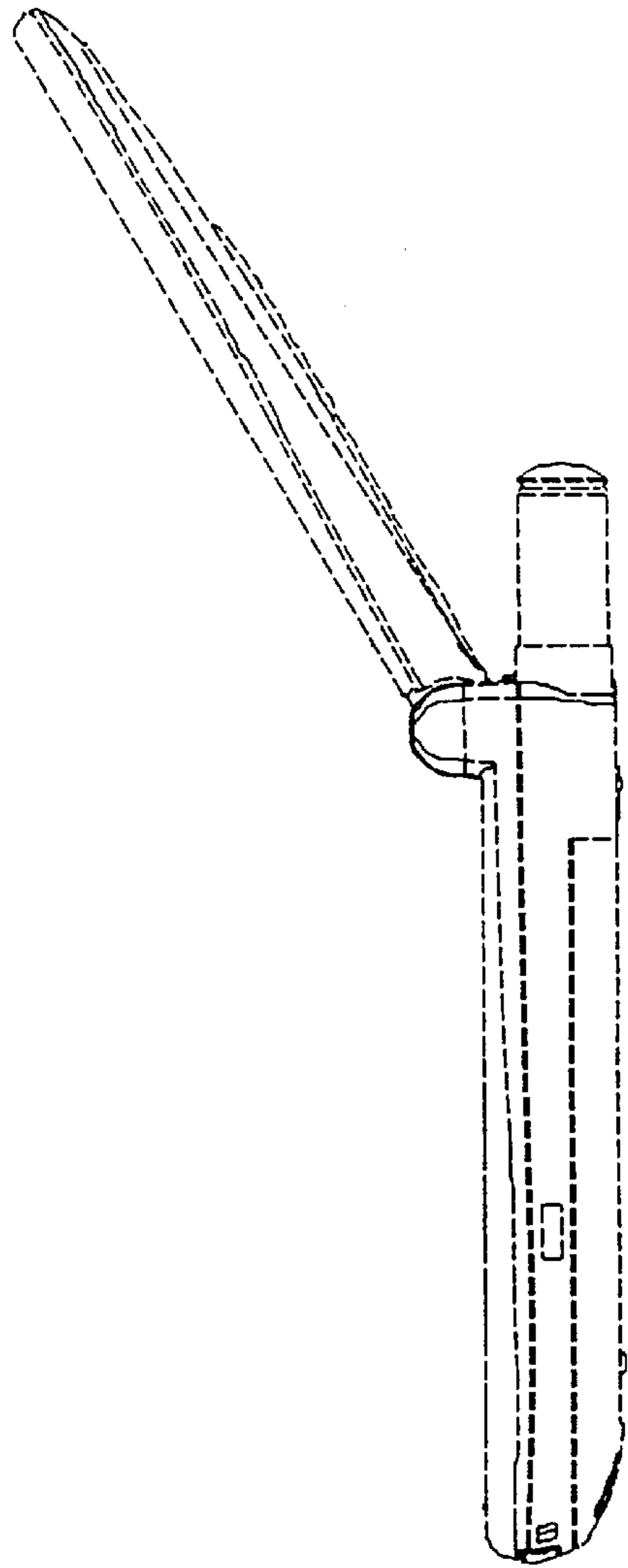


Fig. 5