



US00D448018B1

(12) **United States Design Patent**
Arjomand et al.

(10) **Patent No.:** **US D448,018 S**

(45) **Date of Patent:** **** Sep. 18, 2001**

(54) **PORTION OF A REMOTE CONTROLLER FOR A DIGITAL MUSIC PLAYER**

(75) Inventors: **Hamid Arjomand**, Emeryville, CA (US); **Edward Boyd**, Tigard, OR (US)

(73) Assignee: **Nike, Inc.**, Beaverton, OR (US)

(**) Term: **14 Years**

(21) Appl. No.: **29/129,998**

(22) Filed: **Sep. 25, 2000**

(51) **LOC (7) Cl.** **14-03**

(52) **U.S. Cl.** **D14/218**

(58) **Field of Search** D14/217, 218, D14/192, 156, 165, 163; D13/168; 348/734; 455/151.1, 151.2, 151.3, 151.4, 152.1, 352-355; 200/331; D10/104, 106

(56) **References Cited**

U.S. PATENT DOCUMENTS

- D. 331,060 * 11/1992 Emmons et al. D14/218
- D. 383,396 9/1997 Houlihan .
- D. 386,707 11/1997 Woo et al. .
- D. 387,686 12/1997 Hanagata .
- D. 389,151 * 1/1998 Shintani D14/218
- D. 390,123 2/1998 Kennedy .
- D. 392,902 3/1998 Mouawad .
- D. 393,807 4/1998 Houlihan et al. .
- D. 394,214 5/1998 Sang .
- D. 394,398 5/1998 Matsuda .
- D. 394,401 5/1998 Moriai et al. .
- D. 394,403 5/1998 Hanagata .
- D. 394,404 5/1998 Ishizaka et al. .
- D. 394,610 5/1998 Ishizaka et al. .
- D. 394,817 6/1998 Roales .
- D. 395,011 6/1998 Hanagata .
- D. 395,243 6/1998 Papiernik .
- D. 396,650 8/1998 Sugita et al. .
- D. 397,619 9/1998 Lee .
- D. 398,540 9/1998 Lee .

- D. 399,432 10/1998 Mouawad .
- D. 400,804 11/1998 Riley et al. .
- D. 401,160 11/1998 Akagi .
- D. 401,511 11/1998 Le Marquand .
- D. 402,565 12/1998 Sato et al. .
- D. 402,566 12/1998 Moriai .
- D. 402,898 12/1998 Hanagata .
- D. 402,900 12/1998 Hanagata et al. .
- D. 403,246 12/1998 Hanagata .
- D. 403,252 12/1998 Hanagata .
- D. 403,970 1/1999 Chen .
- D. 442,570 * 5/2001 Arjomand et al. D14/218

* cited by examiner

Primary Examiner—Louis S. Zarfaz
Assistant Examiner—Gregory Andoll
(74) *Attorney, Agent, or Firm*—Traskbritt, PC

(57) **CLAIM**

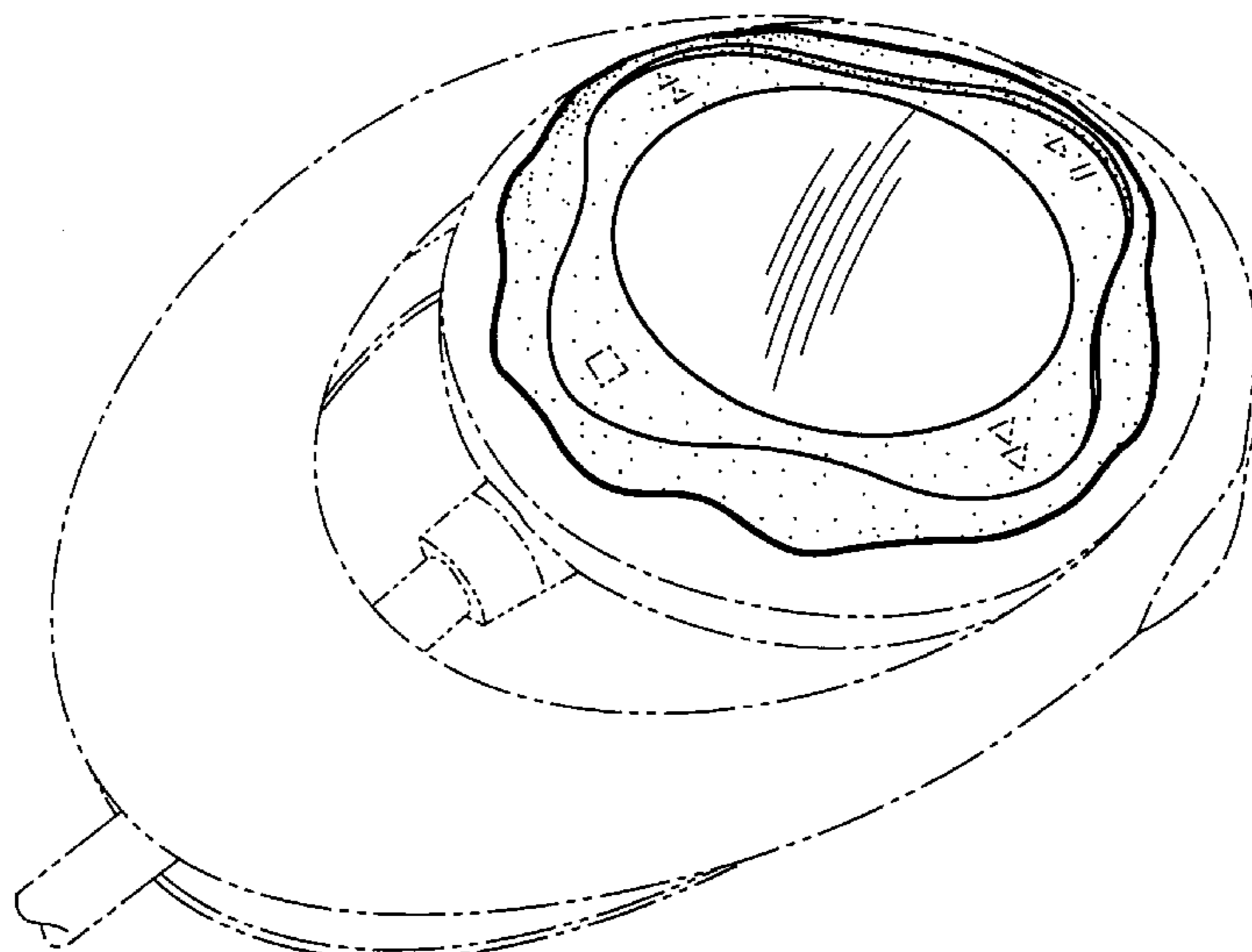
The ornamental design for a portion of a remote controller for a digital music player, as shown and described.

DESCRIPTION

FIG. 1 is a perspective view of the portion of a remote controller for a digital music player showing my new design; FIG. 2 is a side view of the portion of a remote controller for a digital music player shown in FIG. 1; FIG. 3 is another side view of the portion of a remote controller for a digital music player shown in FIG. 1; FIG. 4 is a front view of the portion of a remote controller for a digital music player shown in FIG. 1; FIG. 5 is a rear view of the portion of a remote controller for a digital music player shown in FIG. 1; and, FIG. 6 is a top plan view of the portion of a remote controller for a digital music player shown in FIG. 1.

The phantom lines showing portions of a portion of a remote controller for a digital music player in FIGS. 1-6 are for illustrative purposes only and form no part of the claimed design.

1 Claim, 3 Drawing Sheets



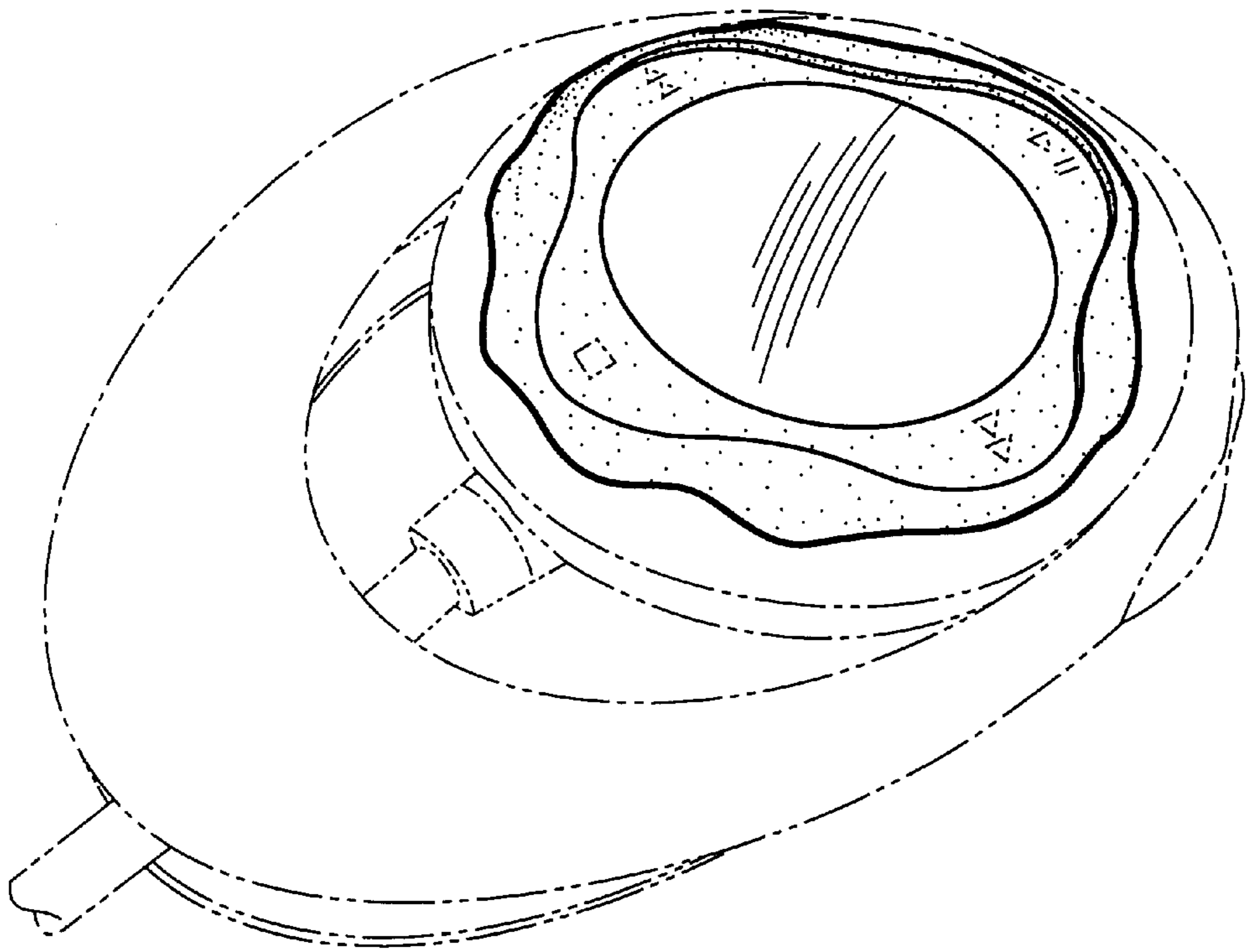


Fig. 1

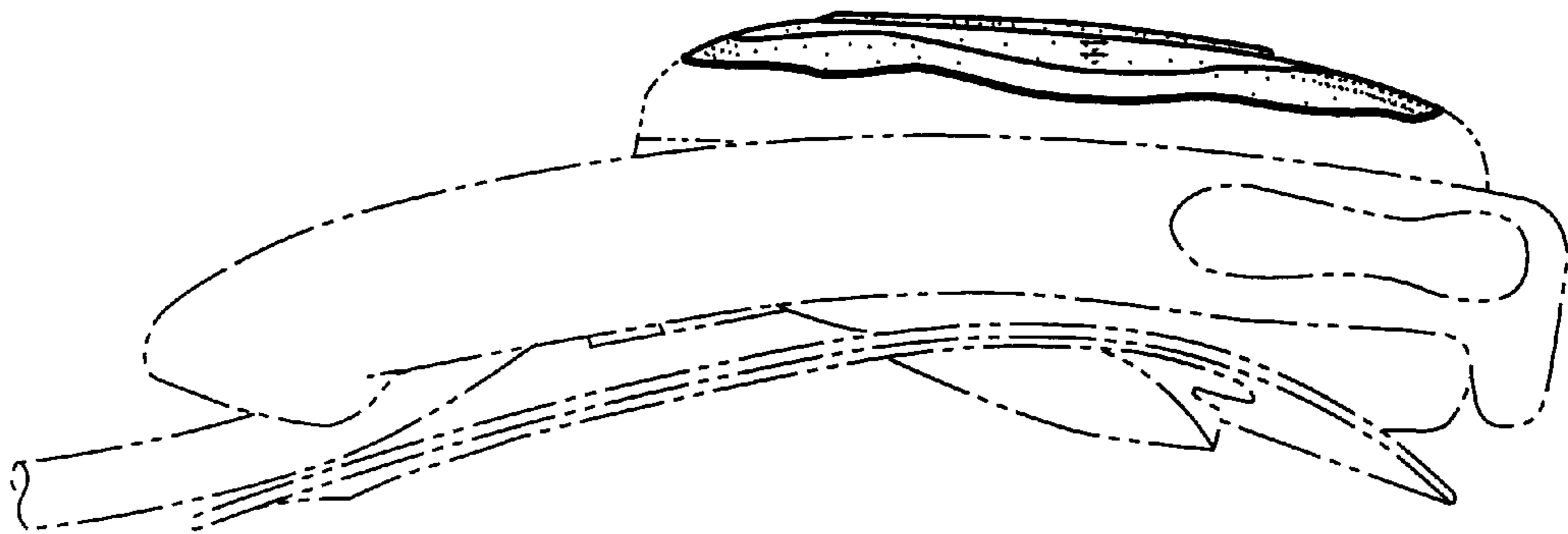


Fig. 2

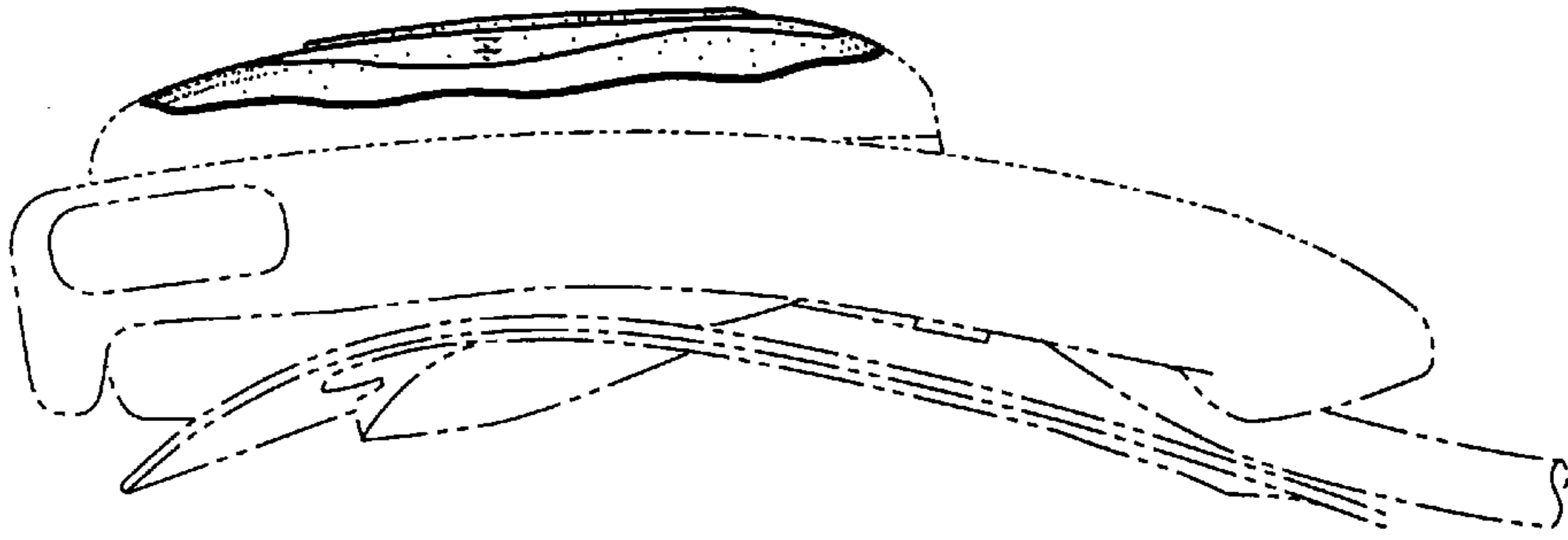


Fig. 3

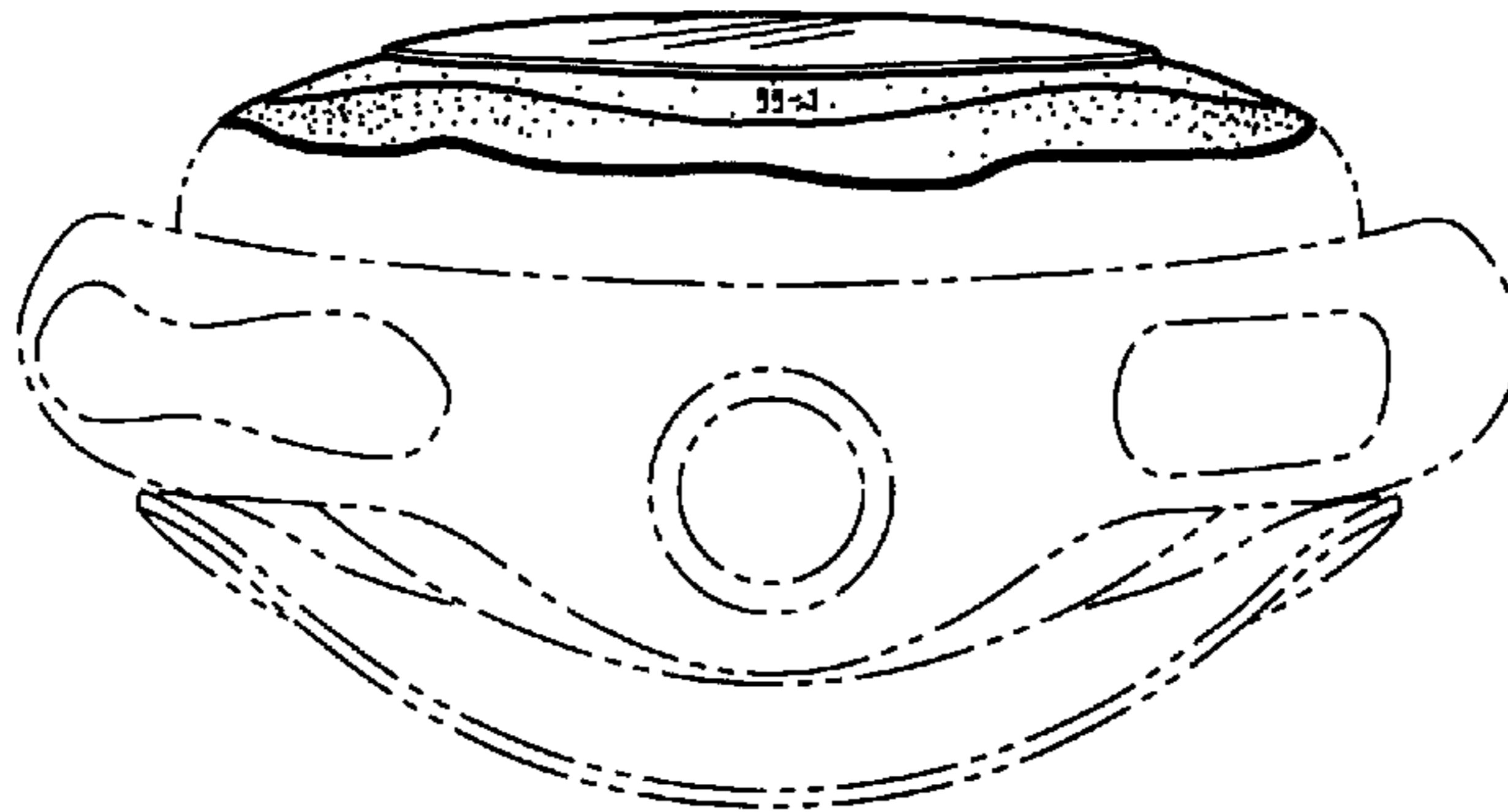


Fig. 4

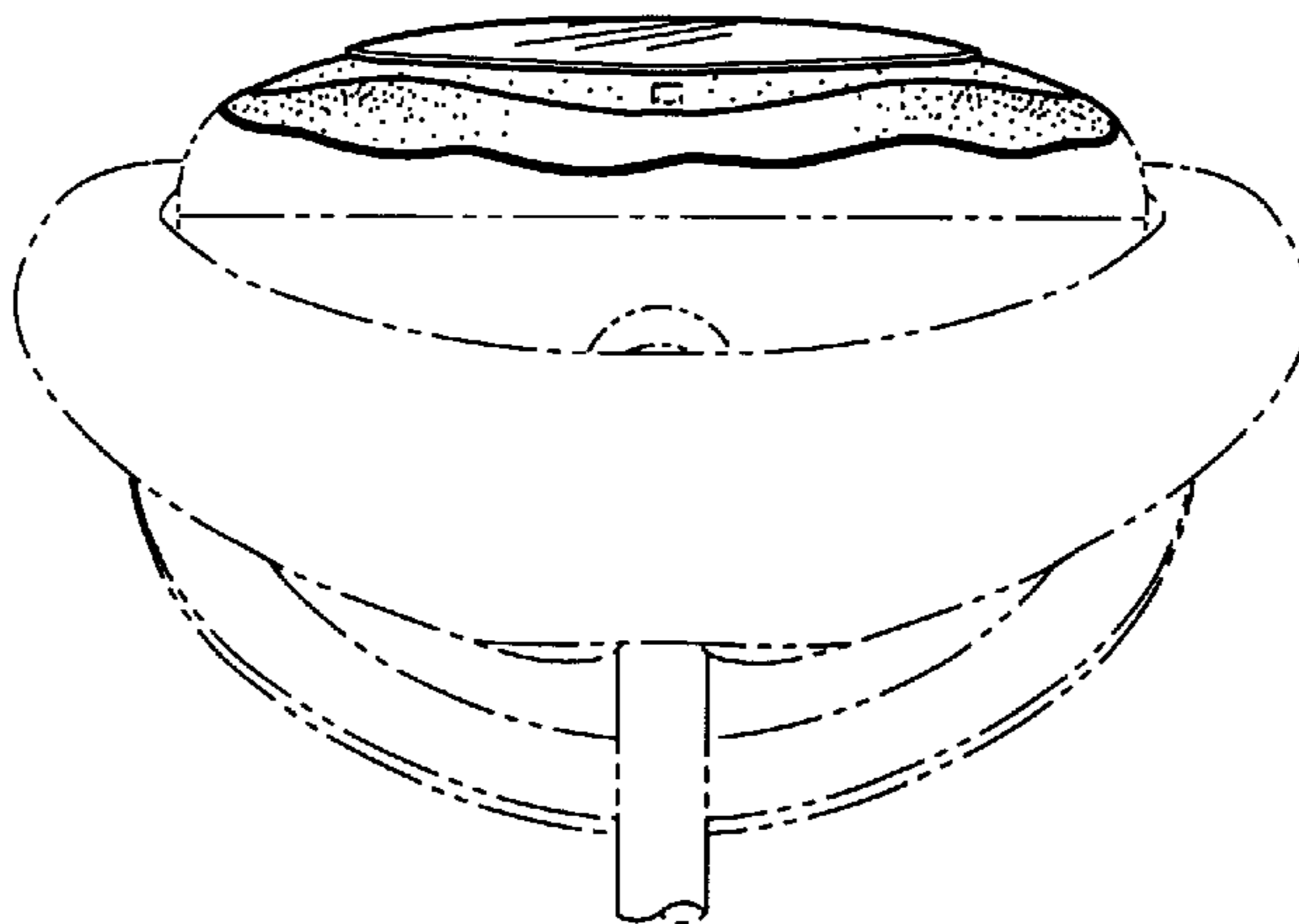


Fig. 5

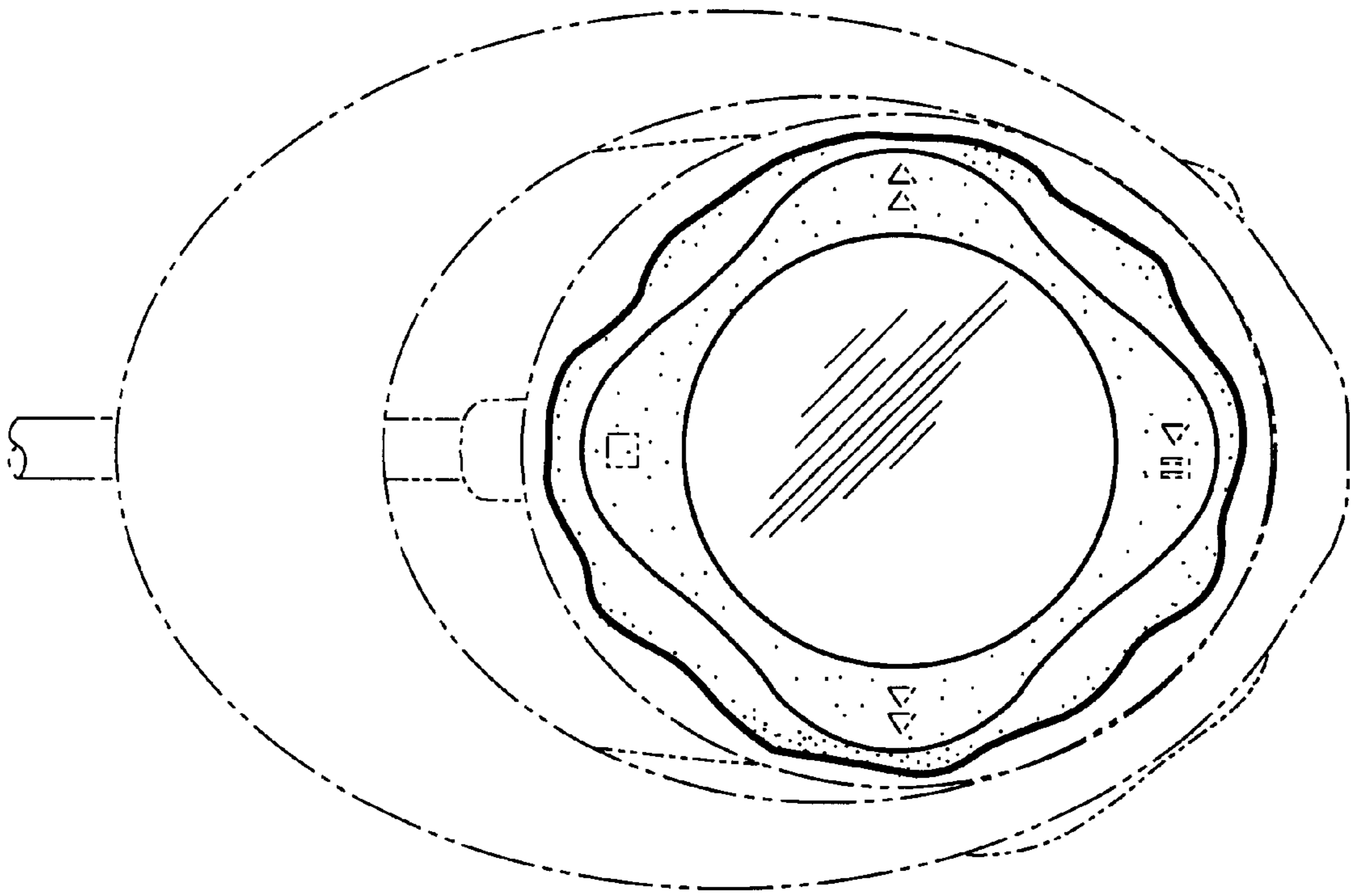


Fig. 6