



US00D448017B1

(12) **United States Design Patent**
Hasbrook

(10) **Patent No.:** **US D448,017 S**

(45) **Date of Patent:** **** Sep. 18, 2001**

(54) **LOUDSPEAKER**

(75) **Inventor:** **William B. Hasbrook**, Portland, OR
(US)

(73) **Assignee:** **Phoenix Gold International, Inc.**,
Portland, OR (US)

(**) **Term:** **14 Years**

(21) **Appl. No.:** **29/137,819**

(22) **Filed:** **Feb. 27, 2001**

(51) **LOC (7) Cl.** **14-01**

(52) **U.S. Cl.** **D14/216**

(58) **Field of Search** D14/204, 209–216,
D14/221–222, 224; 181/143–148, 150,
153, 157, 171–174; 381/182, 300–302,
307, 359, 361, 386, 395, 433

(56) **References Cited**

U.S. PATENT DOCUMENTS

- D. 71,784 * 1/1927 Dulzo D14/215
- D. 91,386 * 1/1934 Booth D14/216 X
- D. 250,586 * 12/1978 Nassdorfer et al. D14/216
- D. 328,900 * 8/1992 Harle D14/216

- D. 393,641 * 4/1998 Hai-Fu D14/216
- D. 432,118 * 10/2000 Hannert D14/221 X
- 6,101,262 * 8/2000 Haase et al. 381/182 X

* cited by examiner

Primary Examiner—Nanda Bondade

(74) *Attorney, Agent, or Firm*—Klarquist Sparkman
Campbell Leigh & Winston LLP

(57) **CLAIM**

The ornamental design for a loudspeaker, as shown and described.

DESCRIPTION

FIG. 1 is a perspective view of the front left side of a loudspeaker showing my new design.

FIG. 2 is a perspective view of the bottom of the loudspeaker of FIG. 1.

FIG. 3 is a perspective view of the rear bottom of the loudspeaker of FIG. 1.

FIG. 4 is an orthogonal view of the left side of the loudspeaker of FIG. 1, the right side being a mirror image thereof; and,

FIG. 5 is an orthogonal view of the top side of the loudspeaker of FIG. 1.

1 Claim, 5 Drawing Sheets

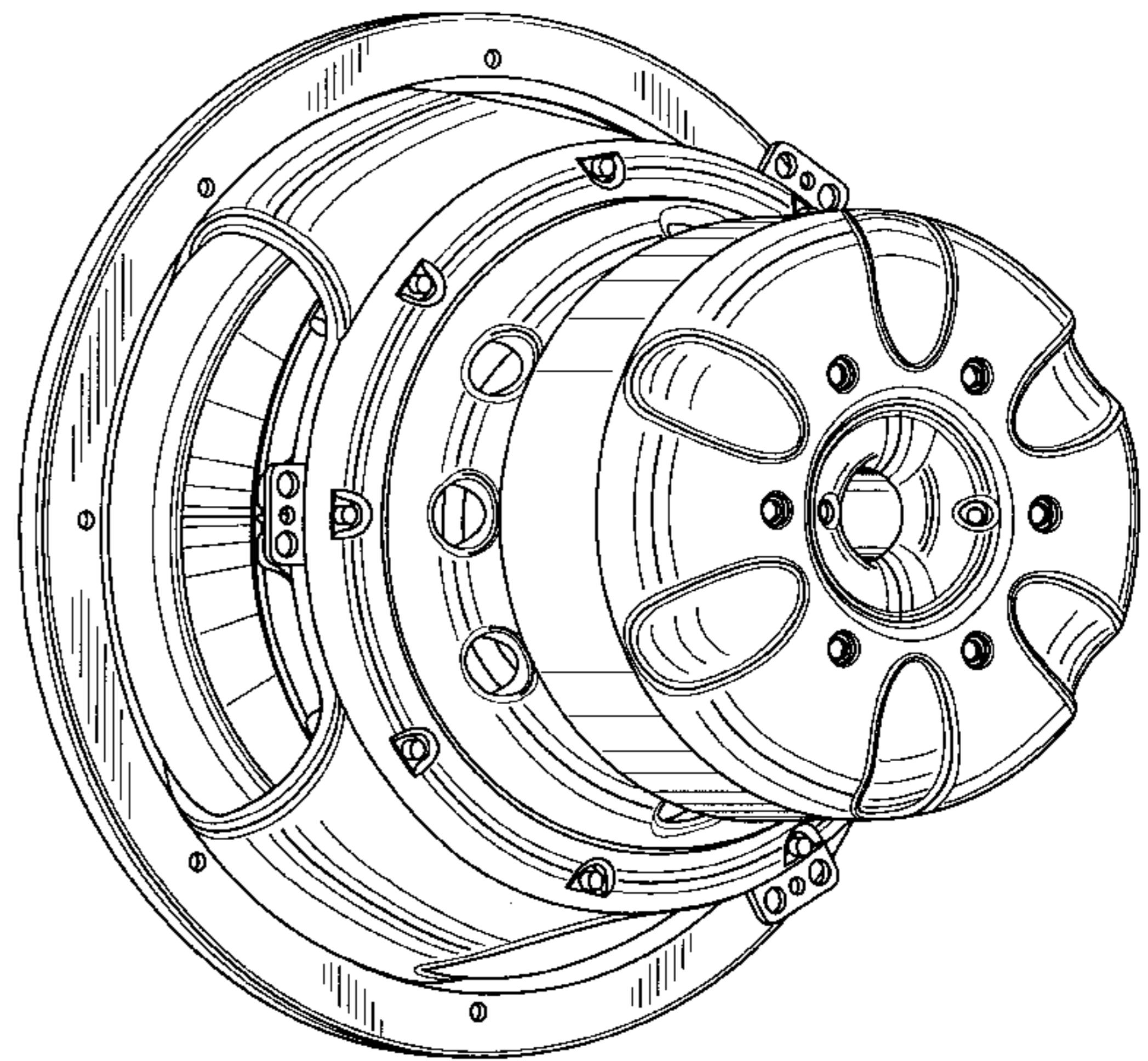
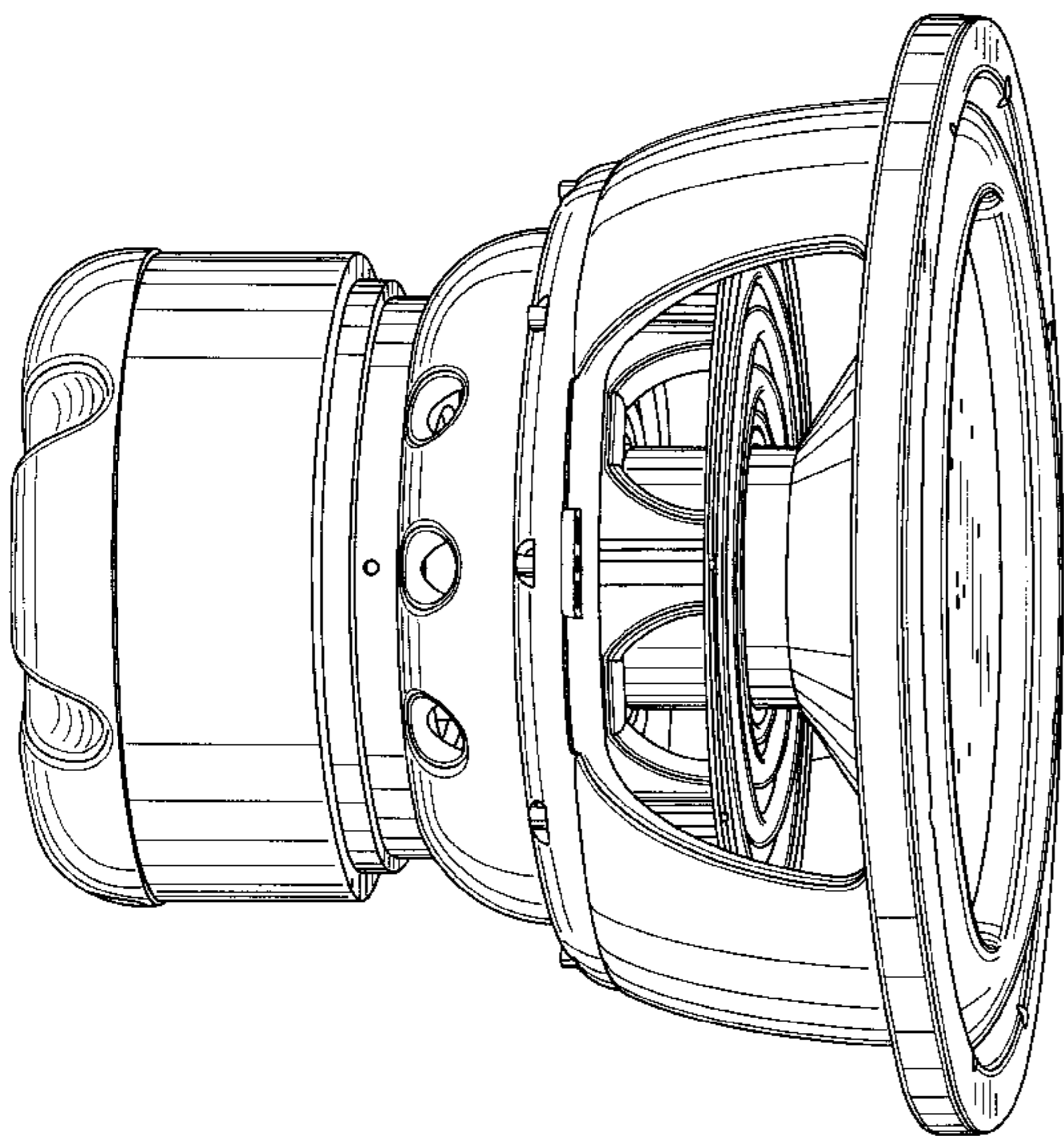


FIG. 1

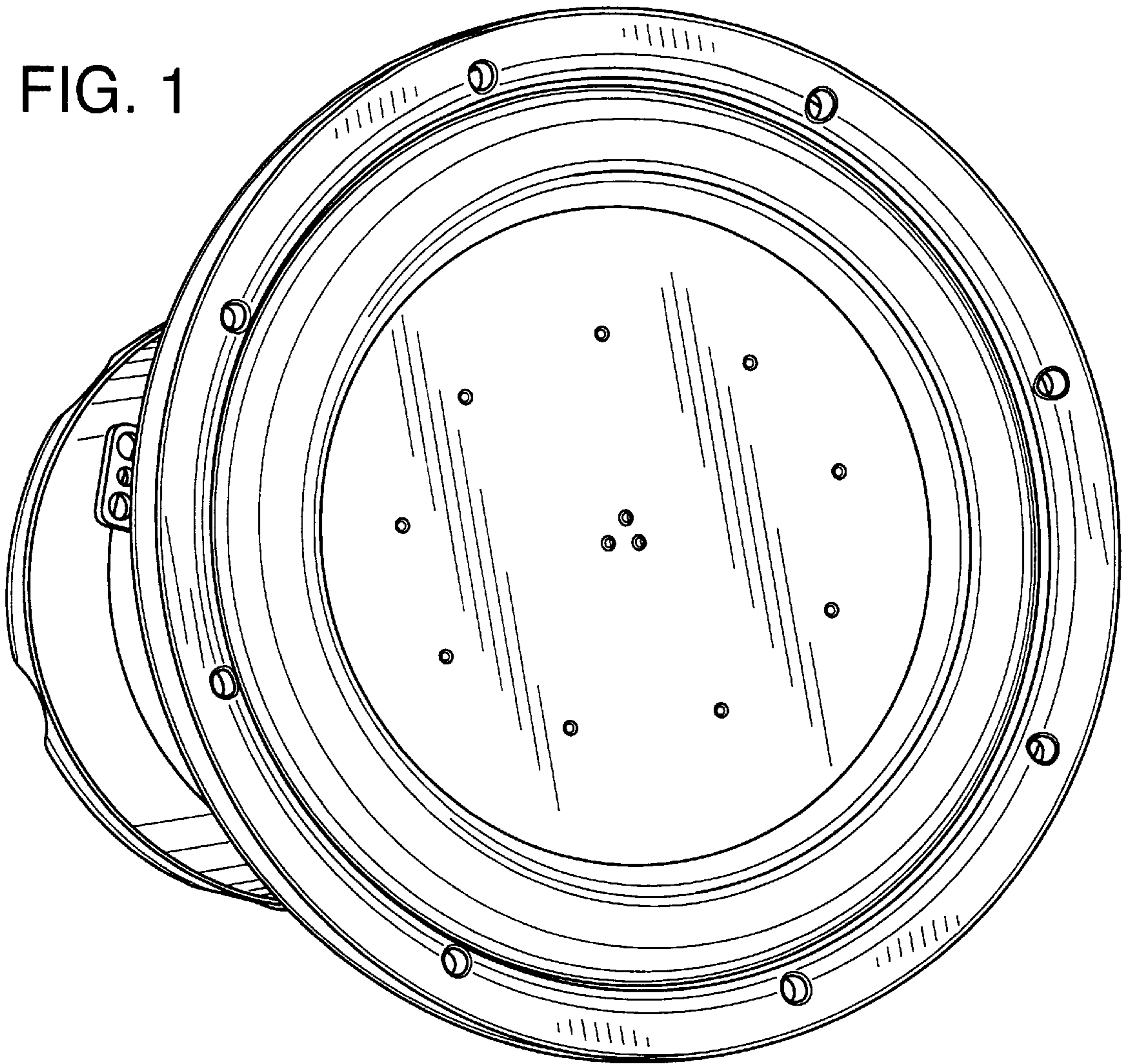
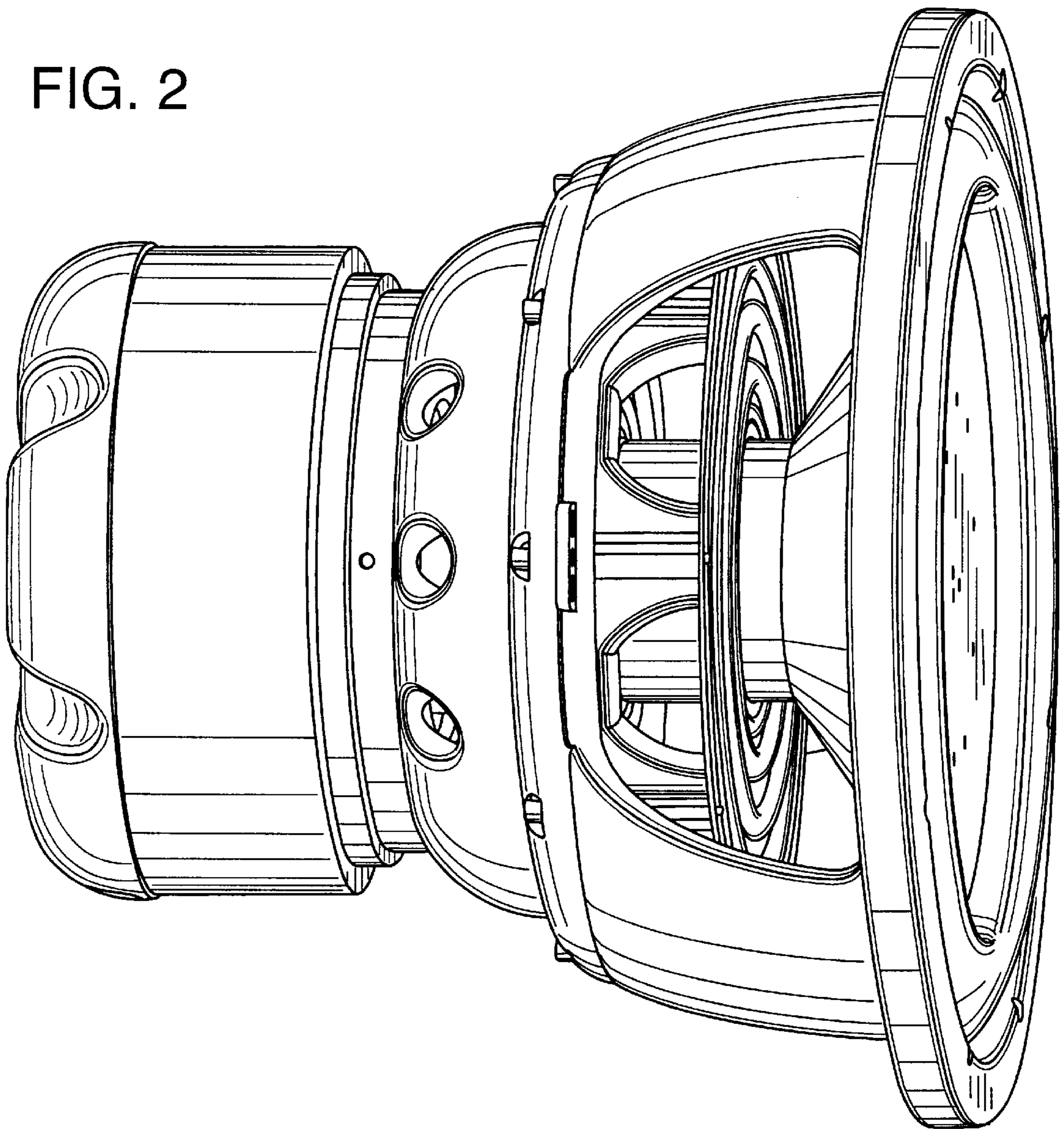


FIG. 2



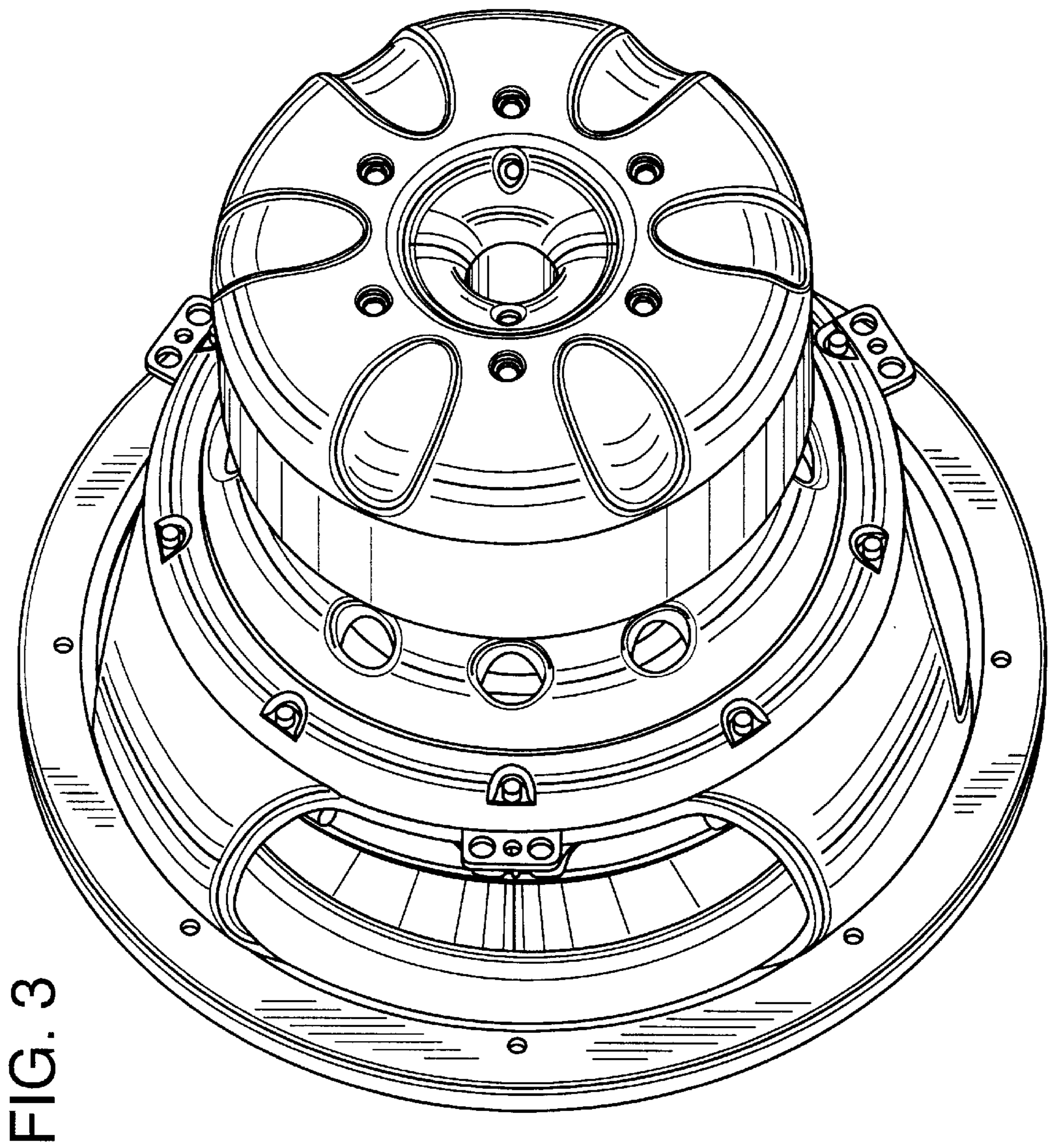


FIG. 3

FIG. 4

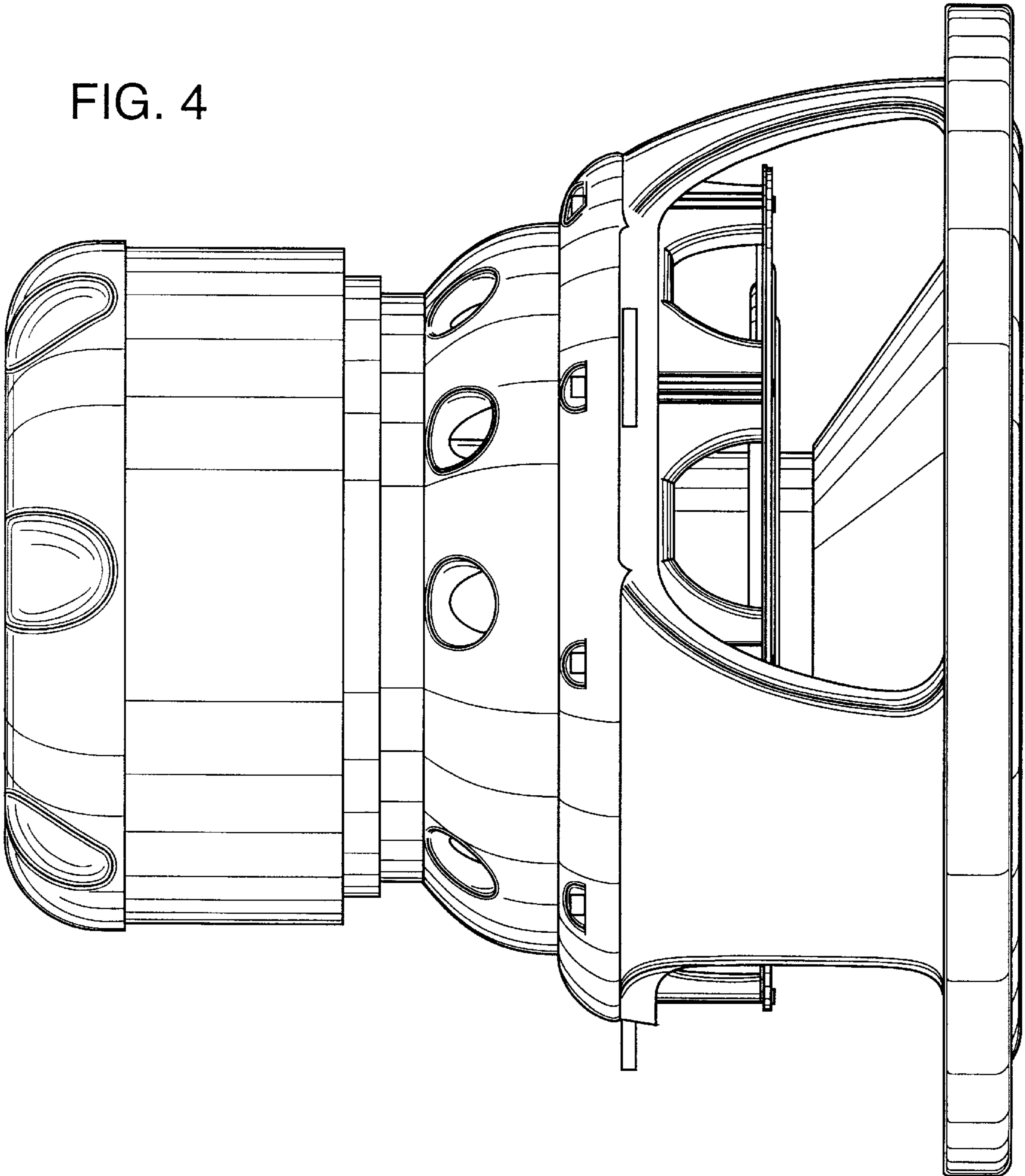


FIG. 5

