



US00D448015B1

(12) **United States Design Patent**
Lapalme

(10) **Patent No.:** **US D448,015 S**

(45) **Date of Patent:** **** Sep. 18, 2001**

(54) **VIDEO CAMERA HEADSET**

FOREIGN PATENT DOCUMENTS

(76) **Inventor:** **Marie Lapalme**, 1470B, Juliot Currie
Parc Industriel de Boucherville,
Boucherville (Québec) (CA), J4B 7L9

0 457 053 A2 11/1991 (EP) .
0 618 471 A2 10/1994 (EP) .
06-141308 5/1994 (JP) .
08065647 A 3/1996 (JP) .
9-134194 5/1997 (JP) .
PCT/JP85/
00398 7/1985 (WO) .

(**) **Term:** **14 Years**

(21) **Appl. No.:** **29/123,998**

OTHER PUBLICATIONS

(22) **Filed:** **May 30, 2000**

(51) **LOC (7) Cl.** **14-01**

(52) **U.S. Cl.** **D14/206; D16/219**

(58) **Field of Search** D14/137-138,
D14/205, 206, 223, 192; D16/219; 181/128-130;
379/430, 431, 433; 381/183, 187

Bratakos, <<The Effect of Imprefect Cues on the Reception of Cued Speech>>, MIT Department of Electrical Engineering and Computer Science, pp. 1-55 (Publication Aug. 23, 1995).

Erber, <<Effects of angle, distance, and illumination on visual reception of speech by profoundly deaf children>>, Journal of Speech and Hearing Research, Central Institute for the Deaf, St. Louis, Missouri, pp. 99-112 (Publication Nov. 19, 1973).

(56) **References Cited**

U.S. PATENT DOCUMENTS

D. 318,669 * 7/1991 Makayama D14/205
2,479,198 8/1949 Baker .
3,192,321 6/1965 Nassimbene .
4,368,459 1/1983 Sapora .
4,546,383 10/1985 Abramatic et al. .
4,741,030 * 4/1988 Wilson D14/206 X
4,915,626 4/1990 Lemmey .
4,975,960 12/1990 Petajan .
5,086,464 2/1992 Groppe .
5,313,522 5/1994 Slager .
5,473,726 12/1995 Marshall .
5,491,507 2/1996 Umezawa et al. .
5,627,902 5/1997 Ziarati .
5,721,783 2/1998 Anderson .
5,742,335 4/1998 Cannon .
5,798,931 8/1998 Kaehler .
5,806,036 9/1998 Stork .
5,844,601 12/1998 McPheely et al. .
5,850,439 12/1998 Yang .
5,867,223 2/1999 Schindler et al. .
5,886,735 3/1999 Bullister .
5,907,351 5/1999 Chen et al. .

* cited by examiner

Primary Examiner—Nanda Bondade

(74) *Attorney, Agent, or Firm*—François Martineau

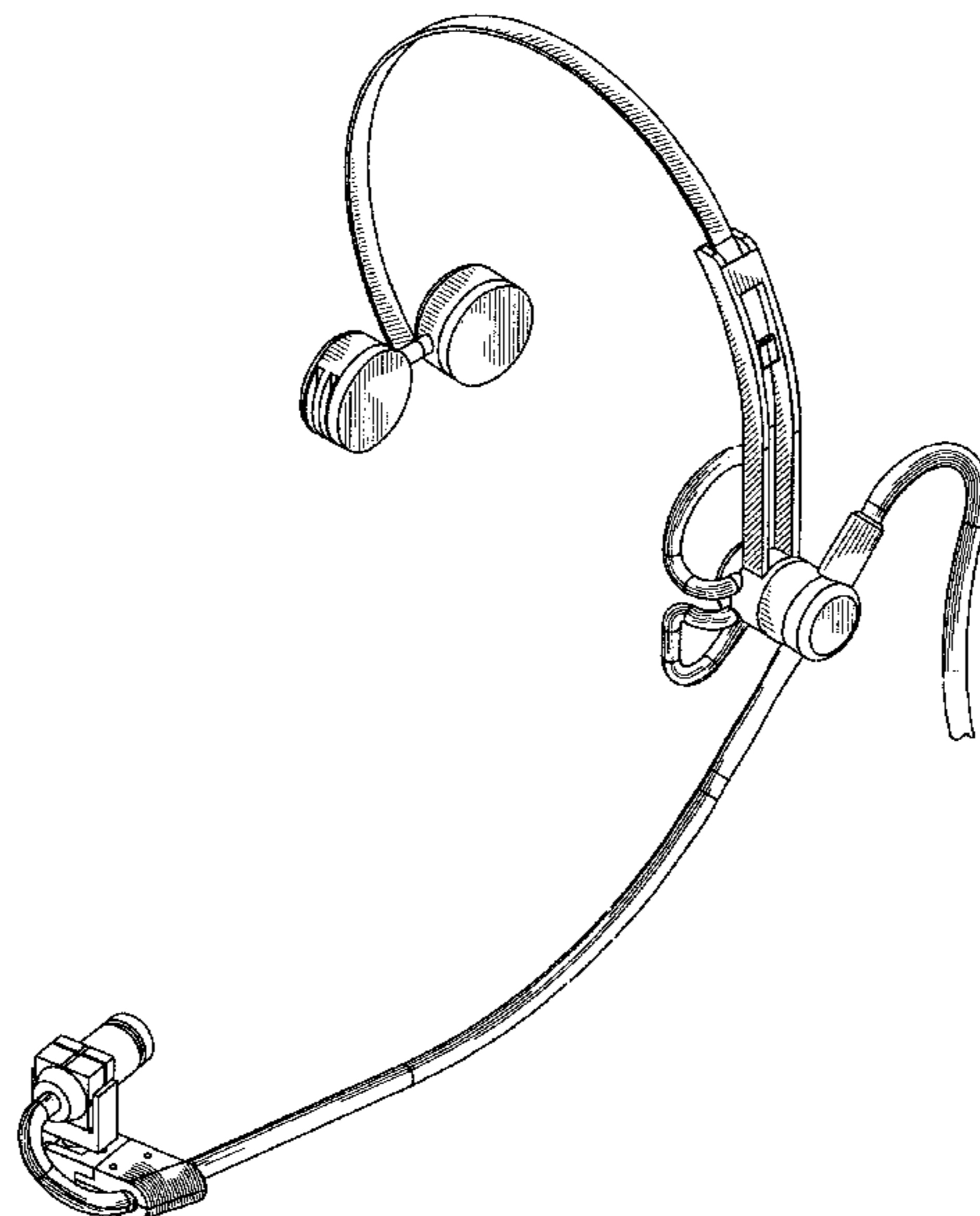
(57) **CLAIM**

The ornamental design for a video camera headset, as shown.

DESCRIPTION

FIG. 1 is a perspective view of the video camera headset; FIG. 2 is a front elevation of the video camera headset; FIG. 3 is a right side elevational view of the video camera headset; FIG. 4 is a top plan view of the video camera headset; FIG. 5 is a rear elevation of the video camera headset; FIG. 6 is a left side elevational view of the video camera headset; and, FIG. 7 is a bottom plan view of the video camera headset.

1 Claim, 7 Drawing Sheets



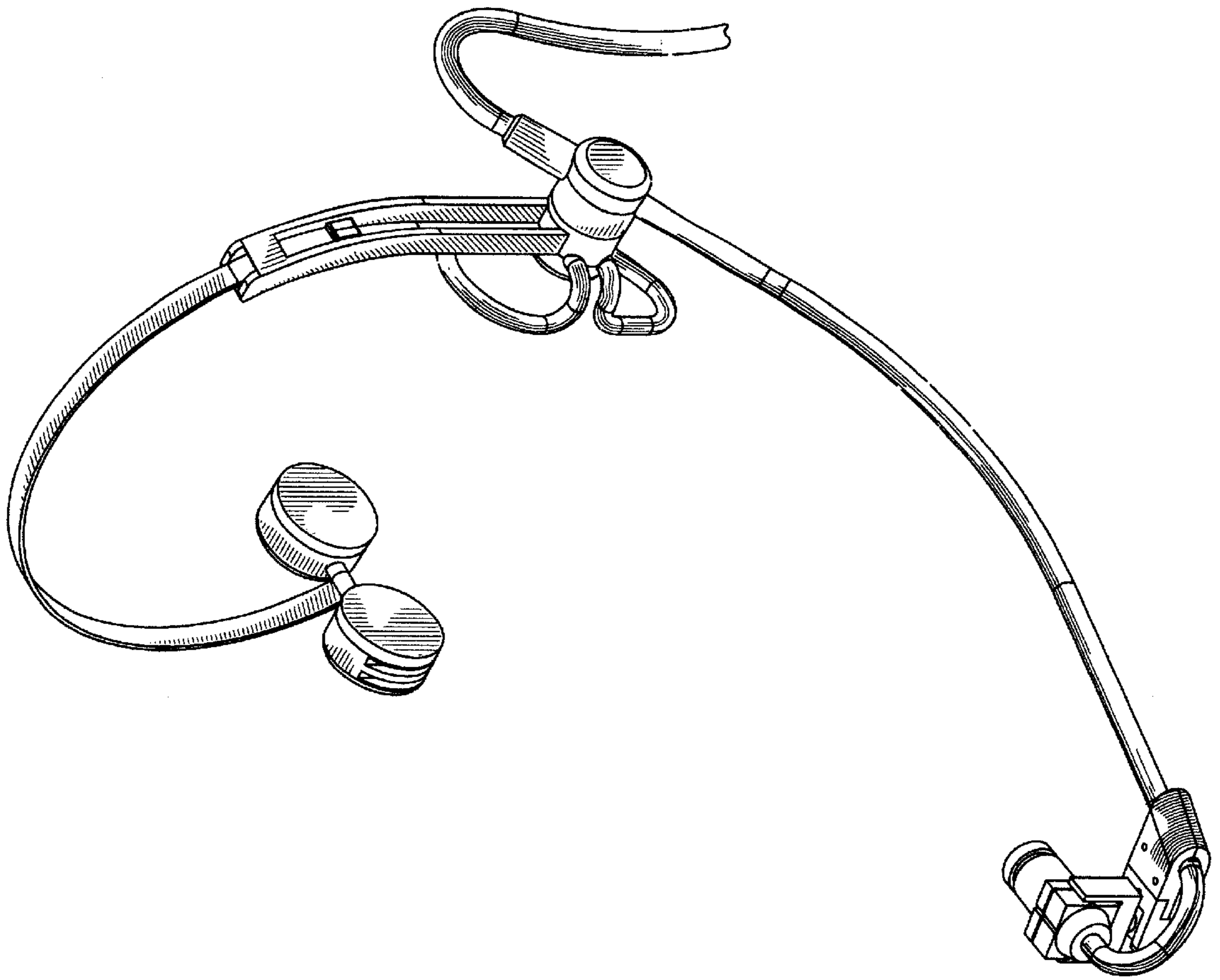


Fig.1

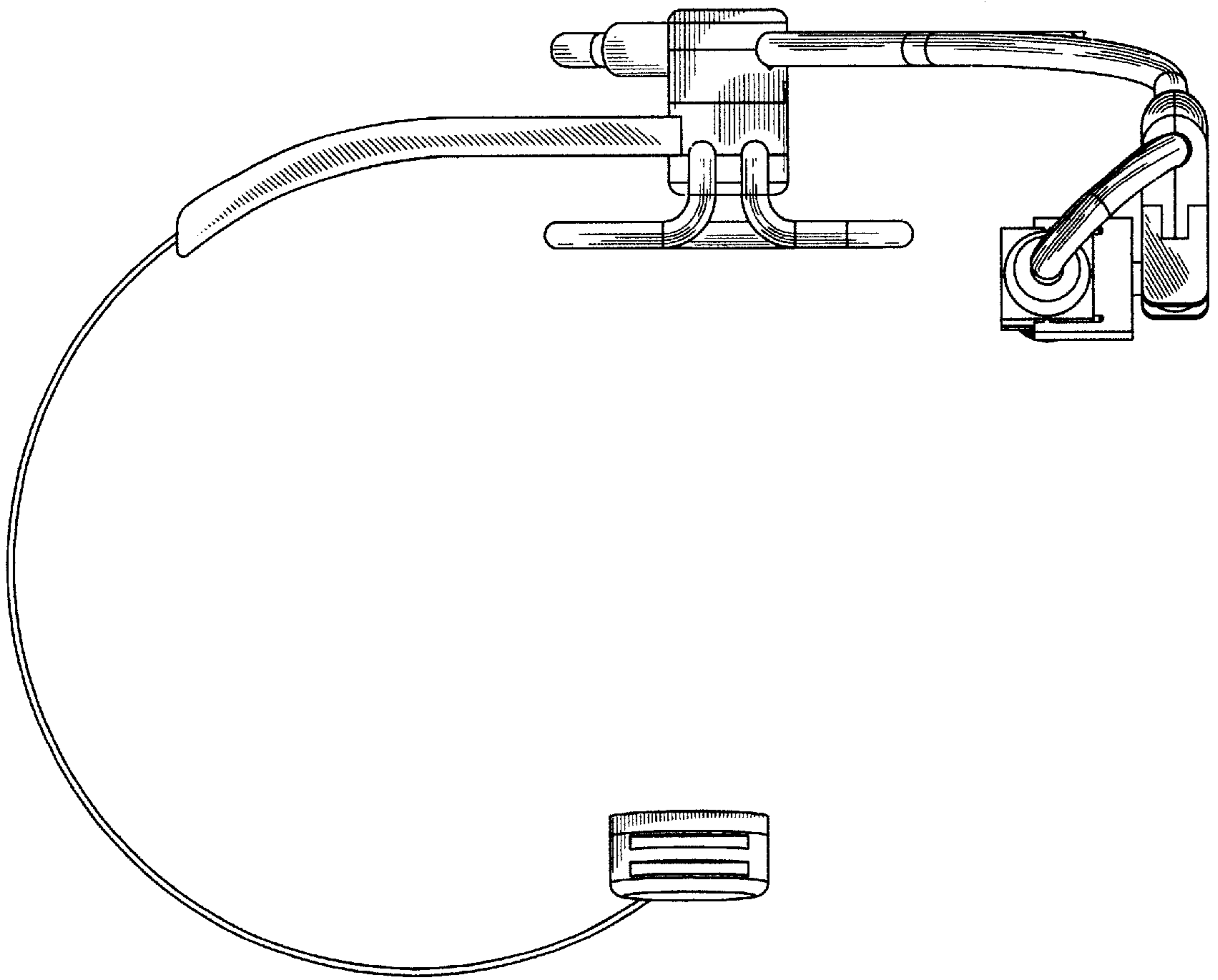


Fig.2

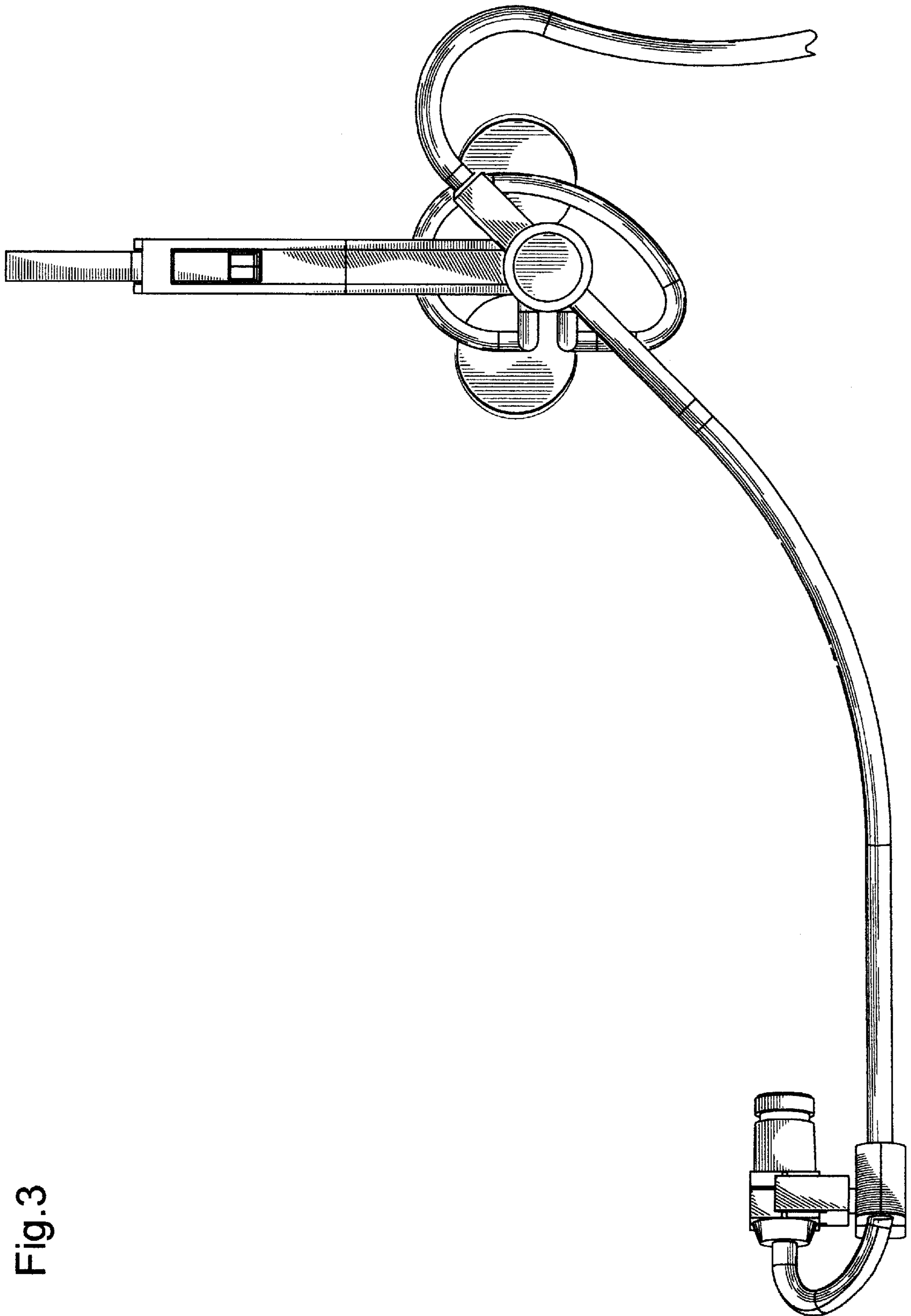


Fig. 3

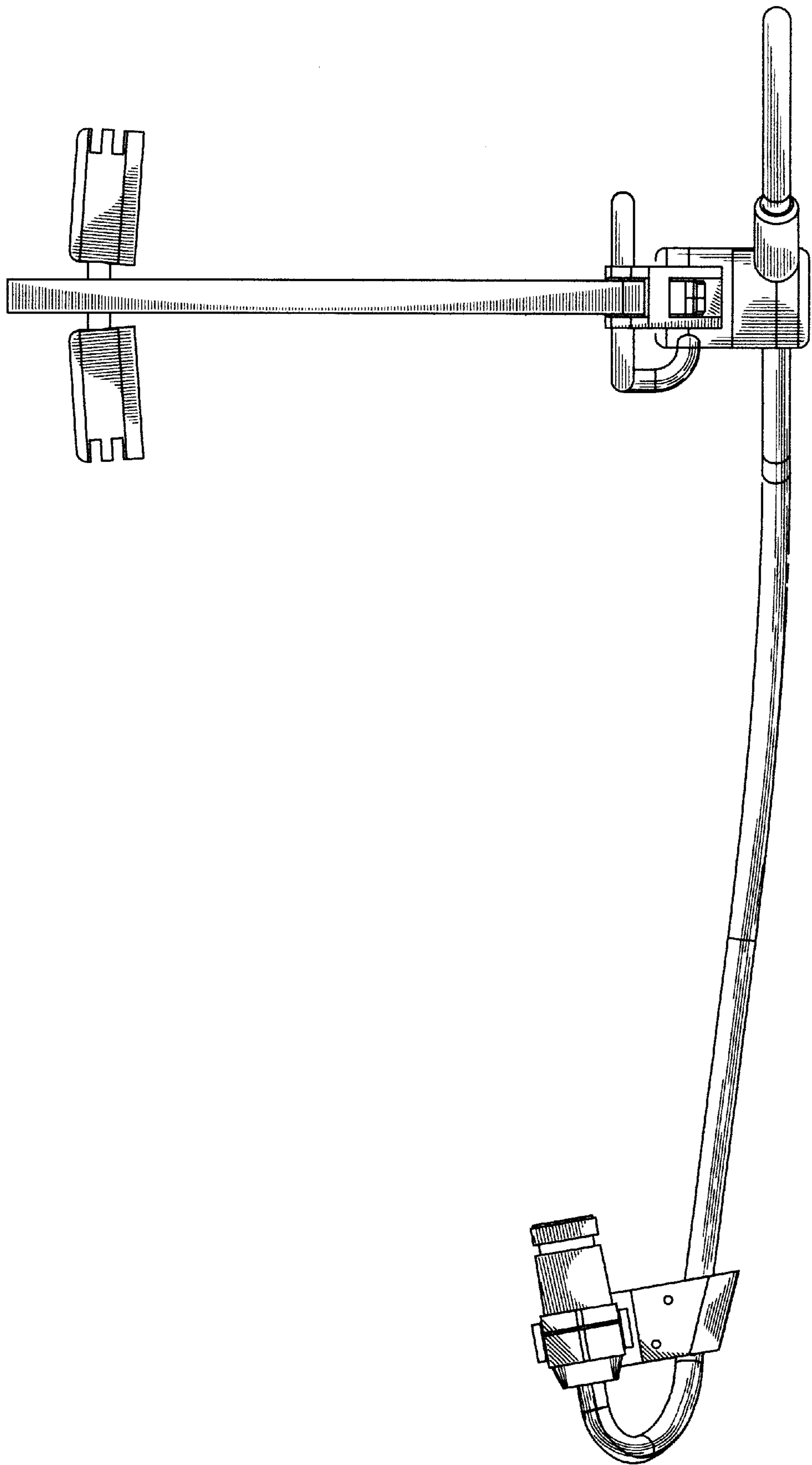


Fig.4

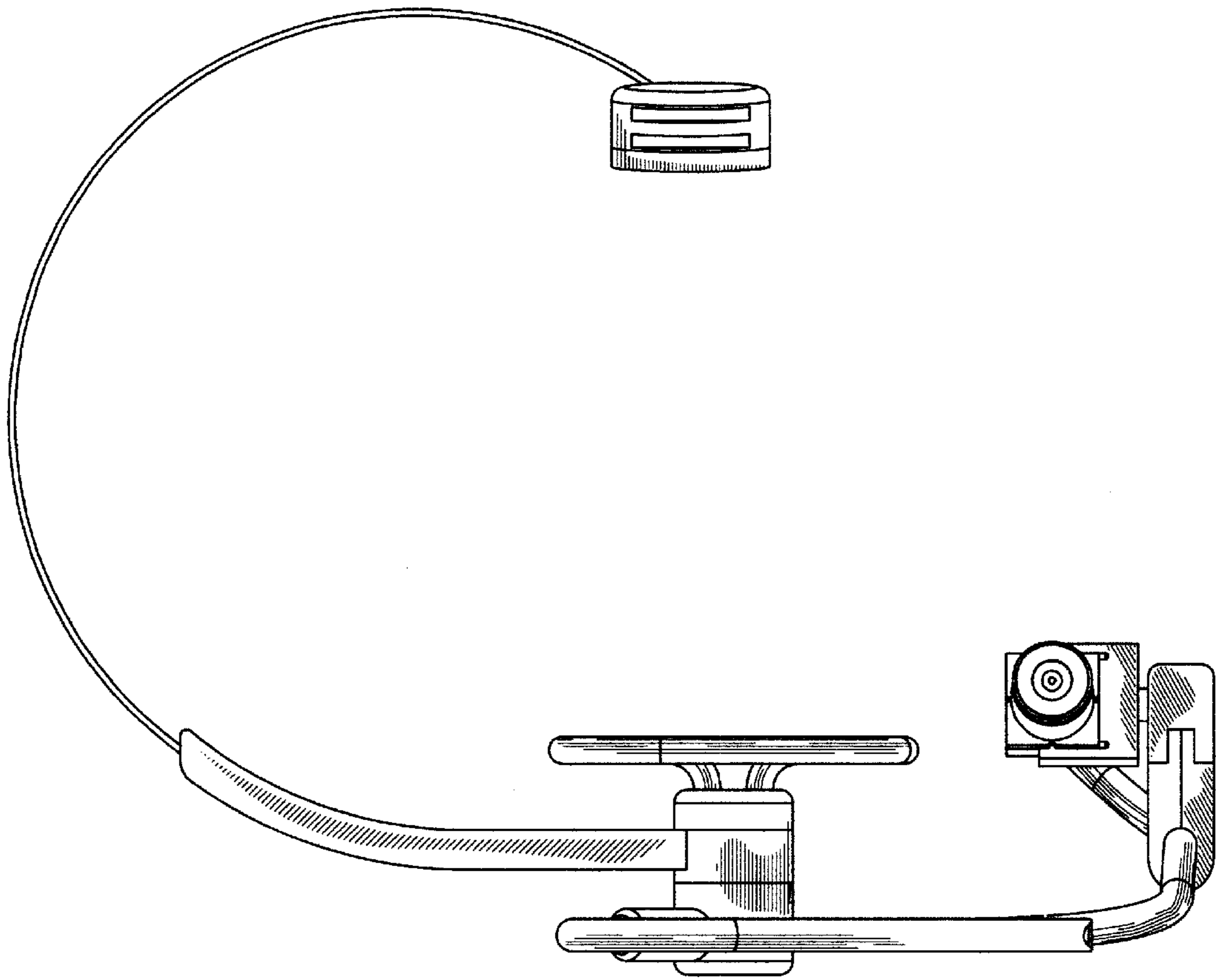


Fig.5

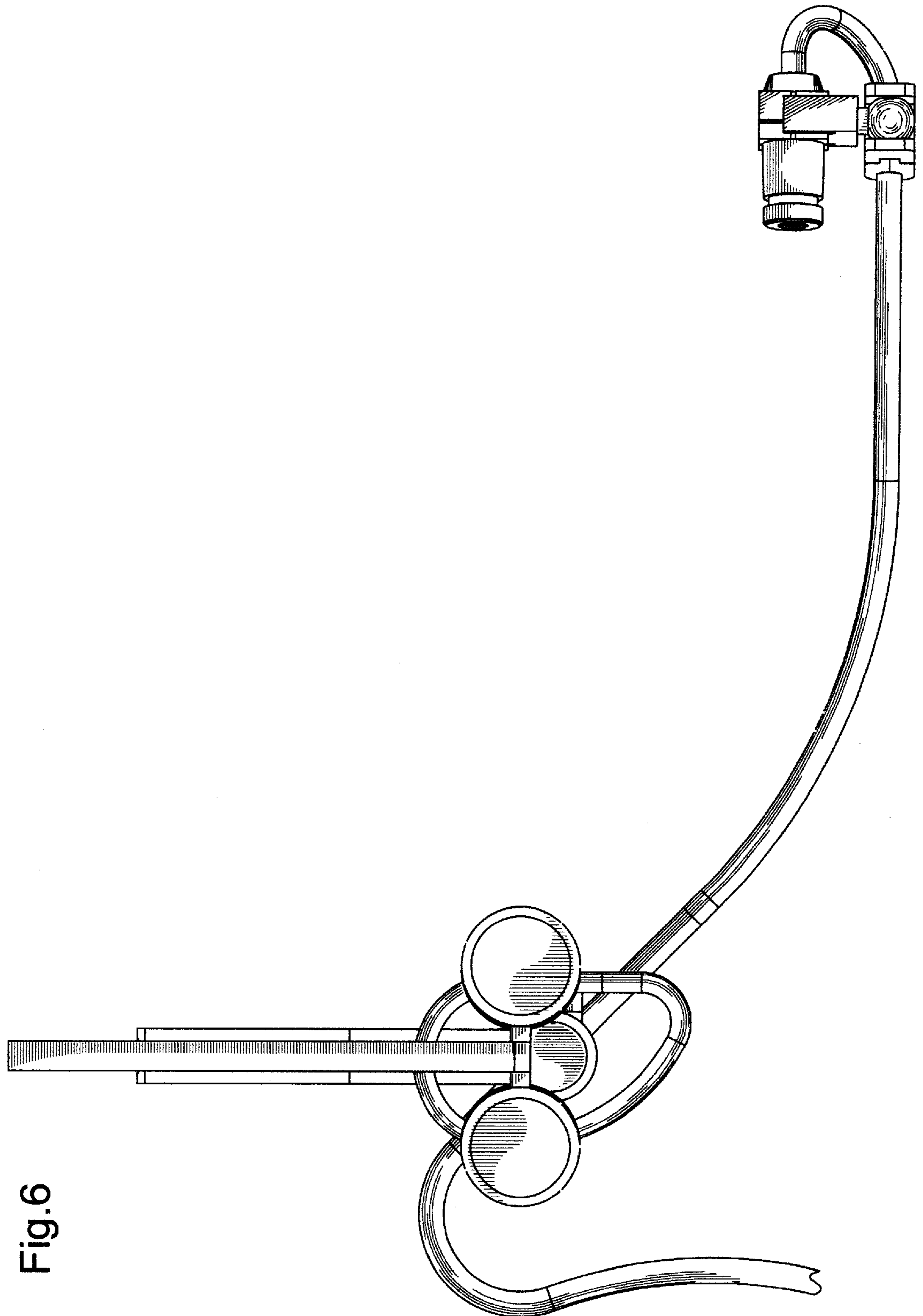


Fig.6

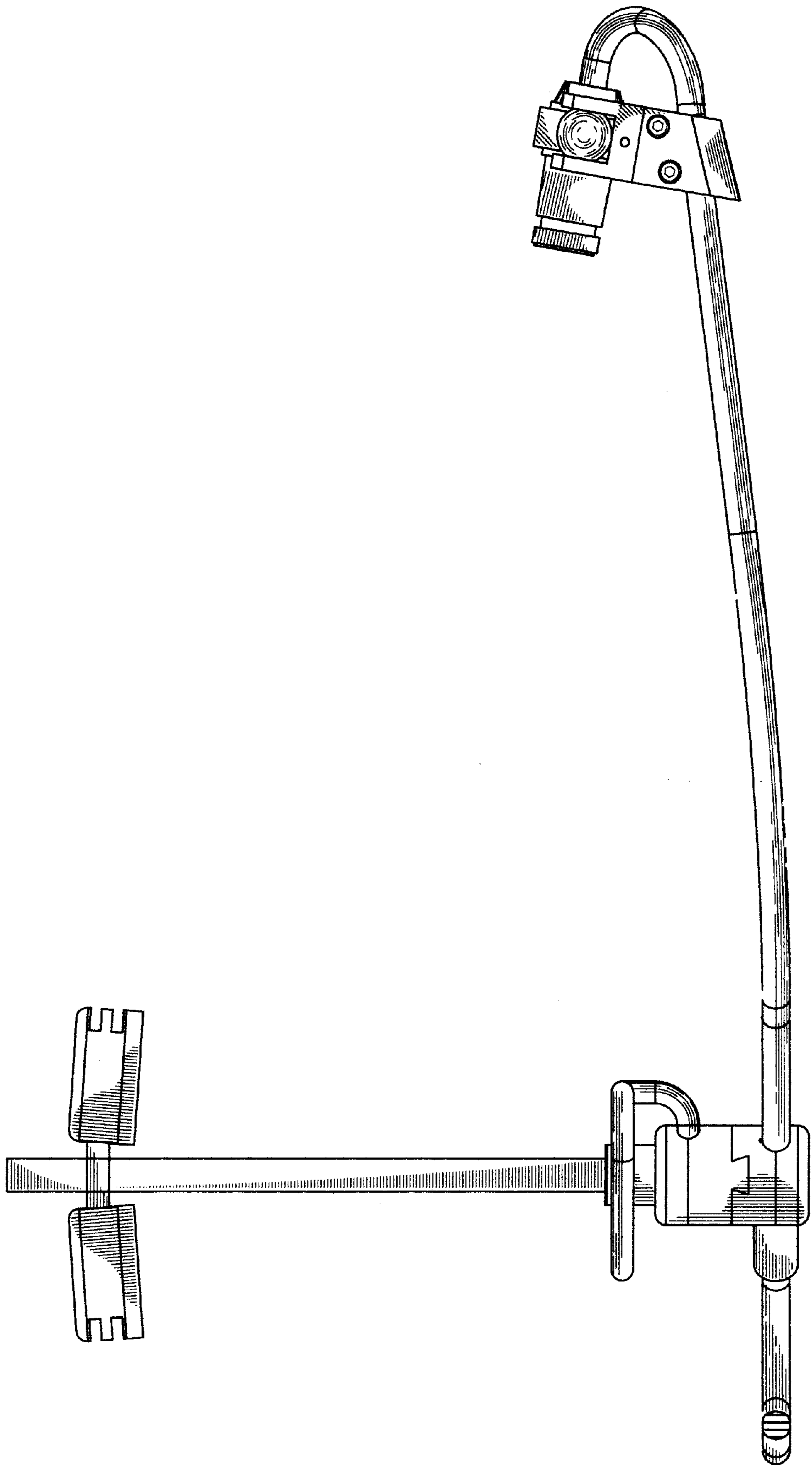


Fig. 7