



US00D448012B1

(12) **United States Design Patent**
Matsuoka

(10) **Patent No.:** **US D448,012 S**

(45) **Date of Patent:** **** Sep. 18, 2001**

(54) **DISC PLAYER**

5,870,697 * 2/1999 Yamamori 369/75.1

(75) Inventor: **Yoshimichi Matsuoka**, Tokyo (JP)

OTHER PUBLICATIONS

(73) Assignee: **Sony Corporation**, Tokyo (JP)

Catalog "95", pp. 63 and 89, Sony, Jul. 2000.

(**) Term: **14 Years**

* cited by examiner

(21) Appl. No.: **29/132,085**

Primary Examiner—Nanda Bondade

(22) Filed: **Nov. 2, 2000**

(74) *Attorney, Agent, or Firm*—Rader, Fishman & Grauer

(51) **LOC (7) Cl.** **14-01**

(52) **U.S. Cl.** **D14/156**

(58) **Field of Search** D14/135-136,
D14/156-157, 162, 164, 167-168, 188,
192; 369/75.1, 75.2, 77.1, 77.2

(57) **CLAIM**

The ornamental design for a disc player, as shown and described.

DESCRIPTION

(56) **References Cited**

U.S. PATENT DOCUMENTS

- D. 400,528 * 11/1998 Kanatani D14/156
- D. 412,908 8/1999 Ishii et al. .
- D. 416,556 * 11/1999 Kizawa D14/156
- D. 426,227 6/2000 Taniguchi .
- D. 430,551 * 9/2000 Dhiono D14/156

FIG. 1 is a perspective view of a disc player showing my new design;

FIG. 2 is a top plan view thereof;

FIG. 3 is a bottom plan view thereof;

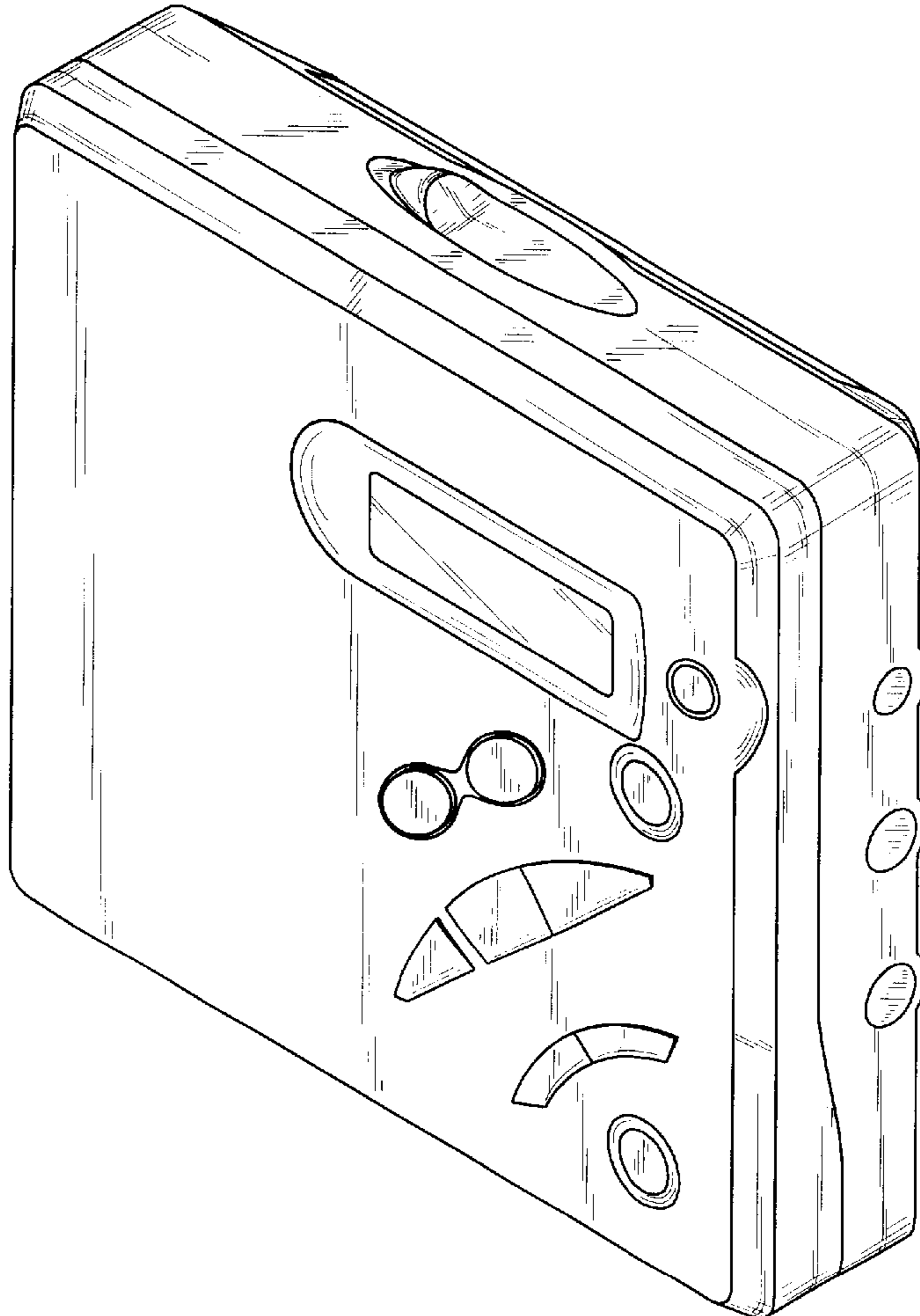
FIG. 4 is a left side elevational view thereof;

FIG. 5 is a right side elevational view thereof;

FIG. 6 is a front elevational view thereof; and,

FIG. 7 is a rear elevational view thereof.

1 Claim, 4 Drawing Sheets



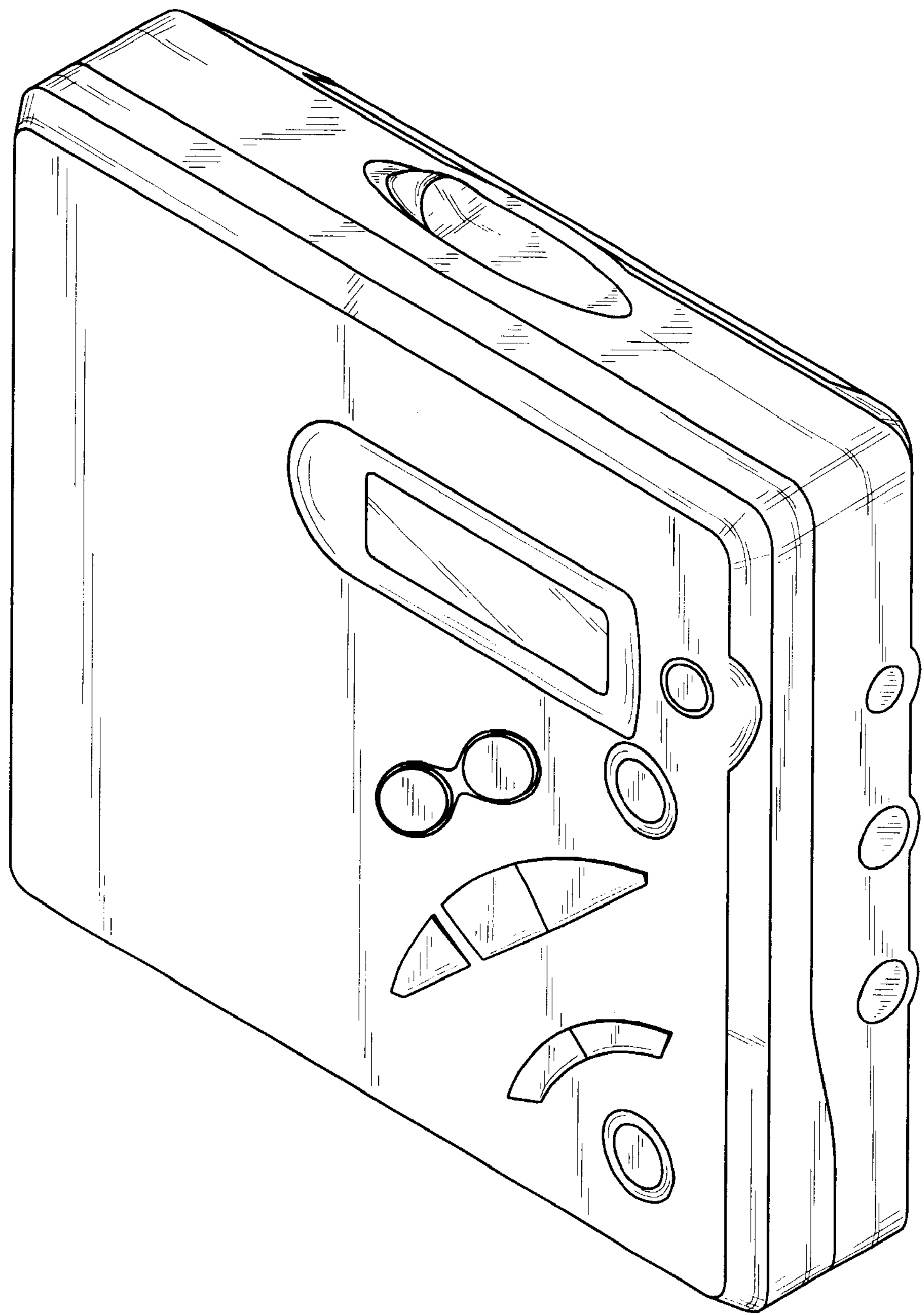


Fig. 1

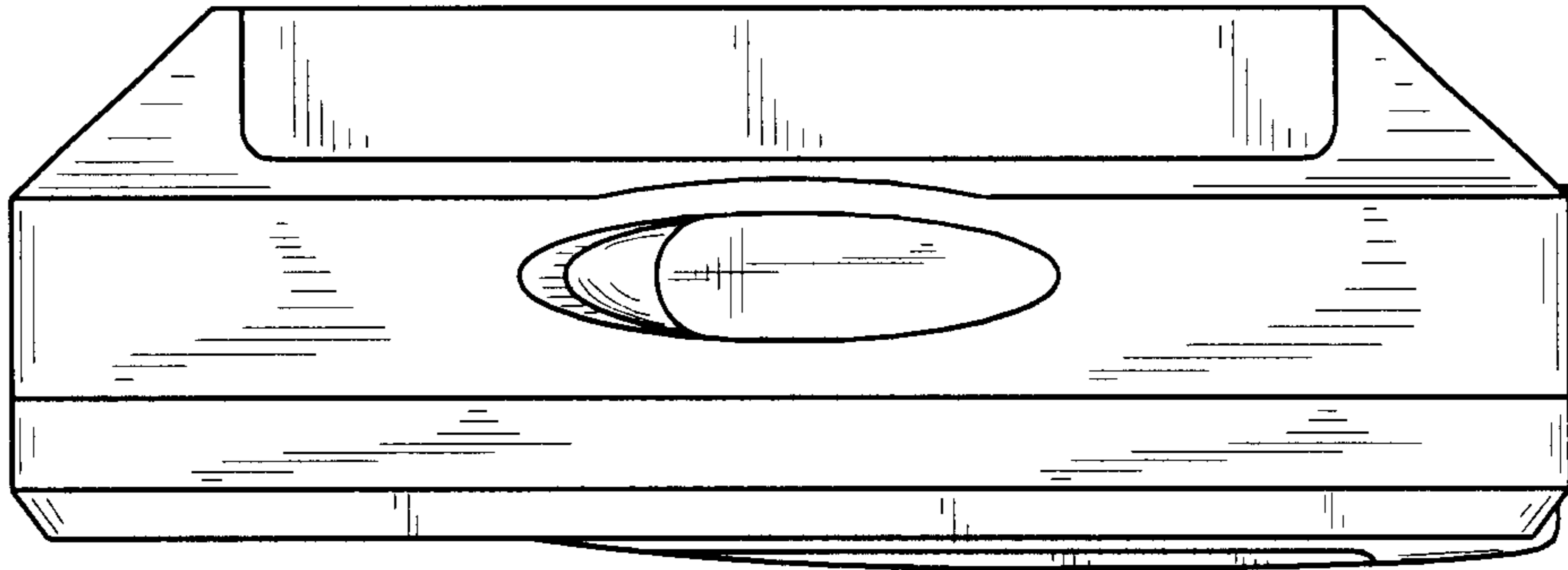


Fig. 2

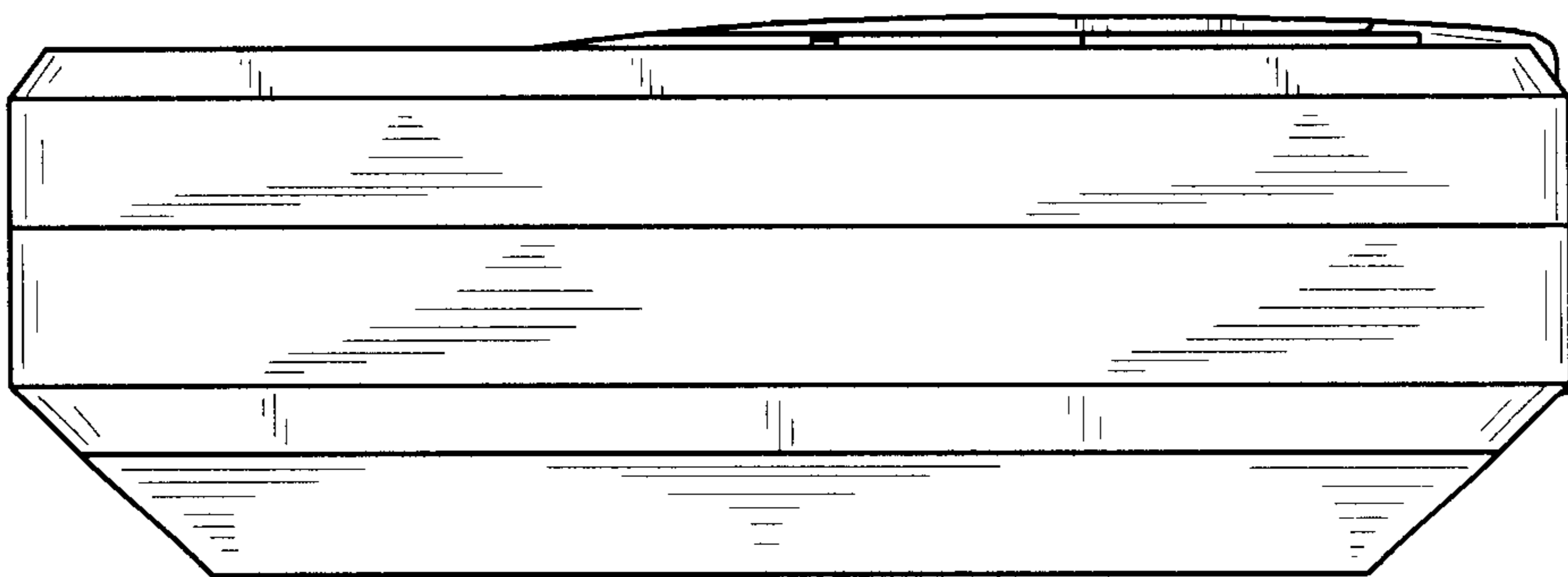


Fig. 3



Fig. 4

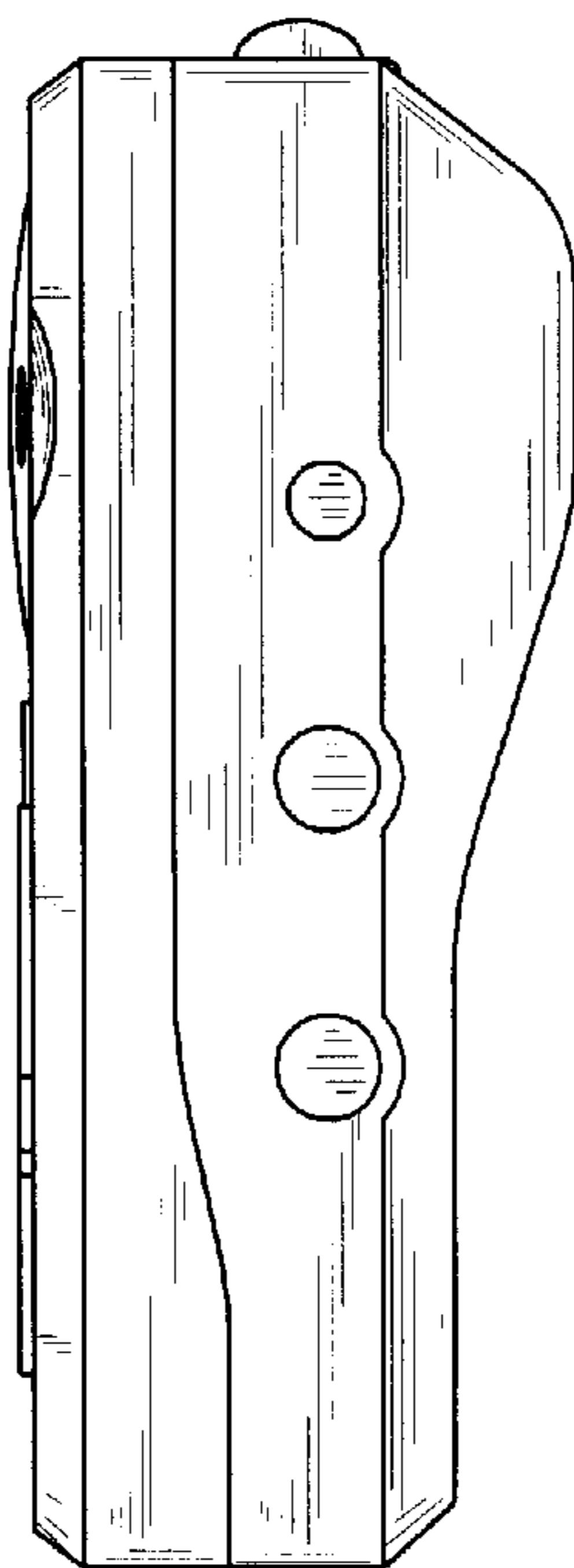


Fig. 5

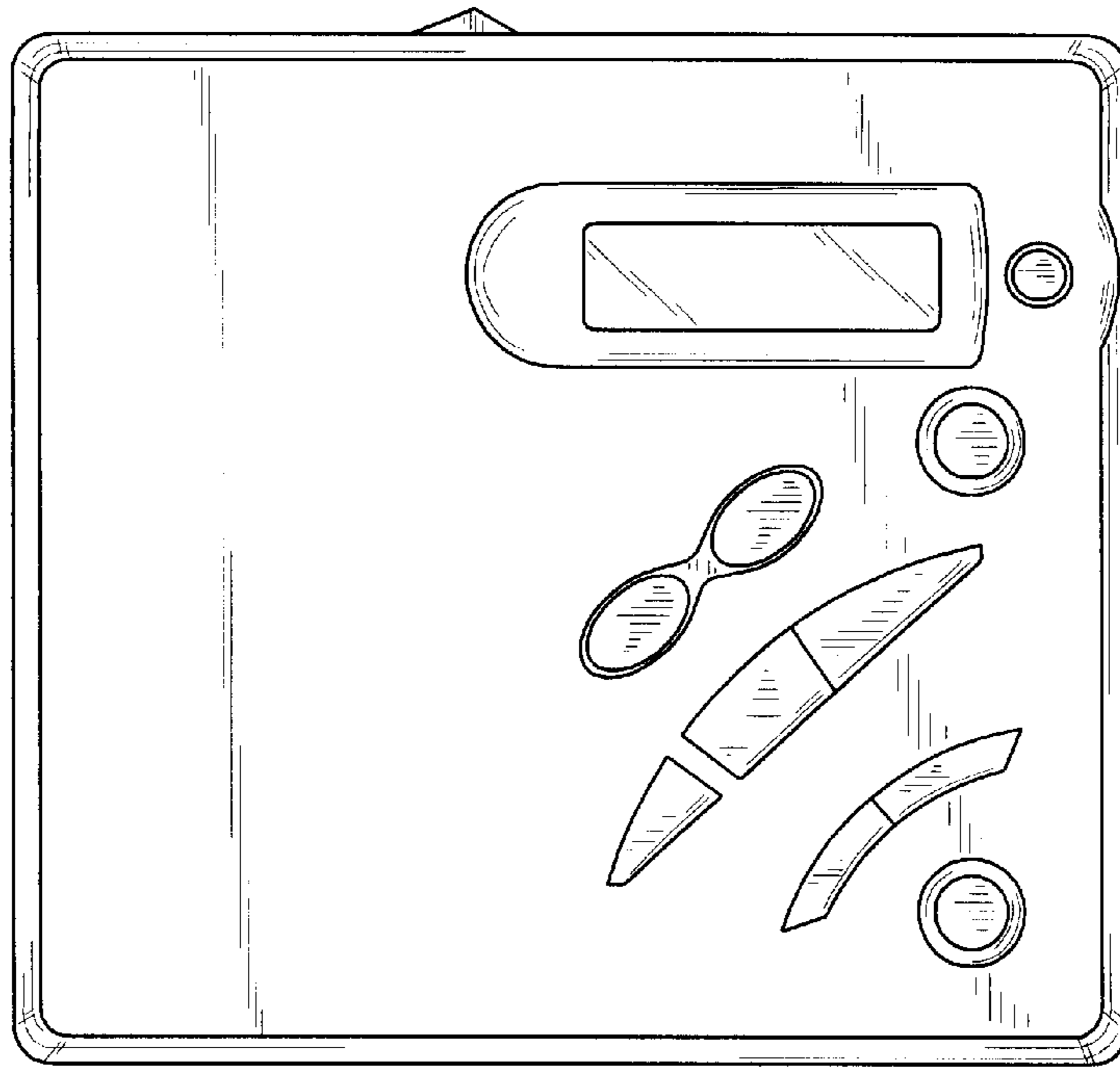


Fig. 6

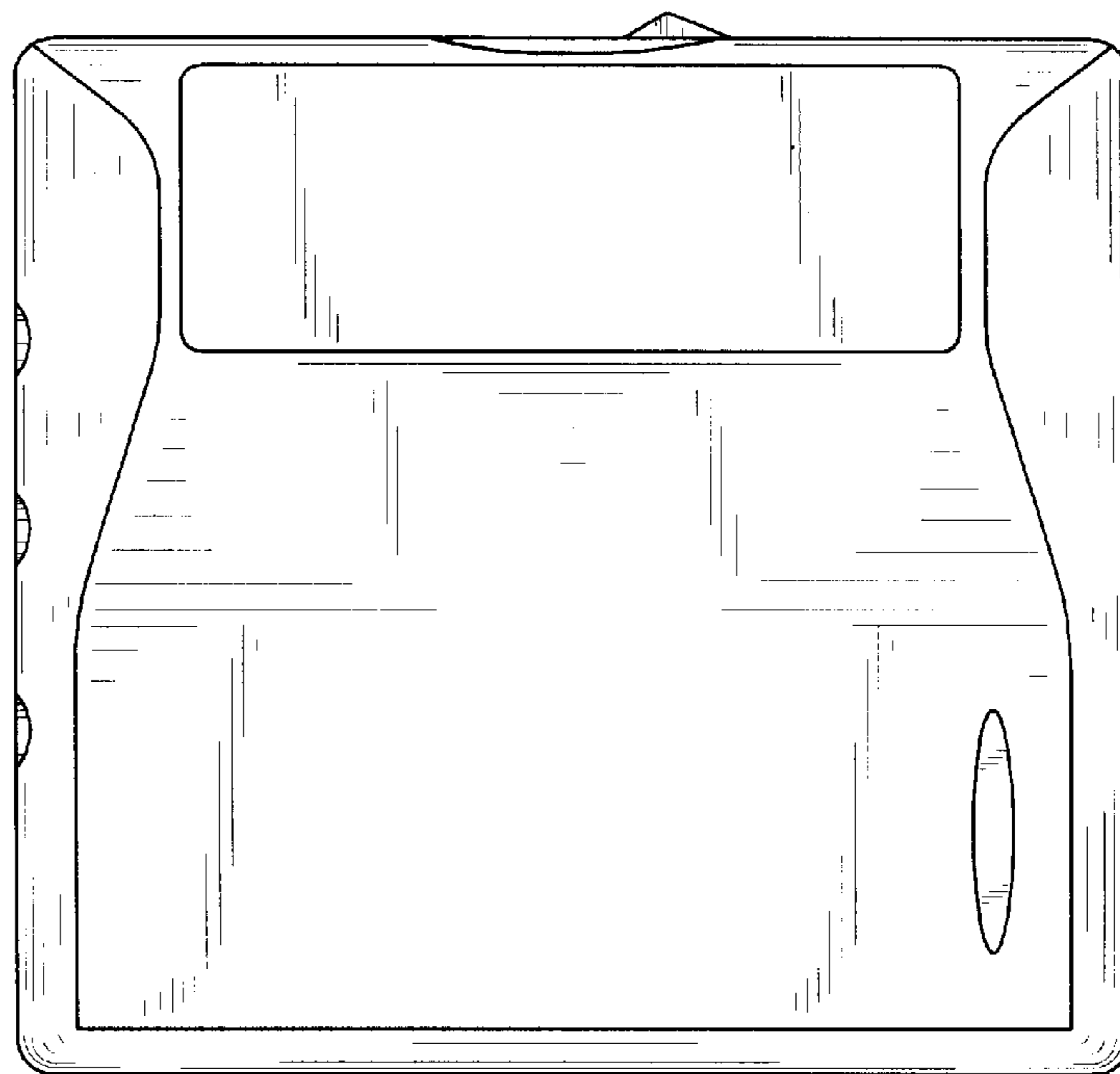


Fig. 7