



US00D448010B1

(12) **United States Design Patent**  
**Ogura**

(10) **Patent No.:** **US D448,010 S**

(45) **Date of Patent:** **\*\* Sep. 18, 2001**

(54) **PORTABLE TELEVISION**

(75) Inventor: **Hajime Ogura**, Tokyo (JP)

(73) Assignee: **Sony Corporation**, Tokyo (JP)

(\*\*) Term: **14 Years**

(21) Appl. No.: **29/108,667**

(22) Filed: **Aug. 2, 1999**

(51) **LOC (7) Cl.** ..... **14-03**

(52) **U.S. Cl.** ..... **D14/132; D14/126**

(58) **Field of Search** ..... D14/125-129,  
D14/131-134, 371, 341, 345; 361/681;  
345/905; 349/58; 348/825, 836, 838, 794

(56) **References Cited**

**U.S. PATENT DOCUMENTS**

D. 284,473	*	7/1986	Ohtsu	.....	D14/132
D. 293,907	*	1/1988	Matsuo	.....	D14/126
D. 306,582	*	3/1990	Miyahara et al.	.....	D14/126
D. 308,367	*	6/1990	Nakahara et al.	.....	D14/126
D. 316,714	*	5/1991	Matsumoto	.....	D14/126
D. 356,079	*	3/1995	Oba	.....	D14/126
D. 412,900	*	8/1999	Utsugi	.....	D14/136
D. 413,881	*	9/1999	Ida	.....	D14/126
D. 416,006	*	11/1999	Park	.....	D14/374
D. 426,527	*	6/2000	Sakaguchi	.....	D14/126
4,633,323	*	12/1986	Haberkern et al.	.....	348/838
5,717,566	*	2/1998	Tao	.....	361/681
6,031,524	*	2/2000	Kunert	.....	345/173

**OTHER PUBLICATIONS**

Domus Mar. 1975, TV on p. 49.\*  
Video Review Nov. 1998, p. 24; Citizen Pocket TV.\*  
Catalog "90"; Sony; Nov. 1998; pp. 41 & 42.

\* cited by examiner

*Primary Examiner*—Ted Shooman

*Assistant Examiner*—C Tuttle

(74) *Attorney, Agent, or Firm*—Rader, Fishman & Grauer, PLLC

(57) **CLAIM**

The ornamental design for a portable television, as shown and described.

**DESCRIPTION**

FIG. 1 is a perspective view of a first embodiment of a portable television showing my new design;

FIG. 2 is a top plan view thereof;

FIG. 3 is a left side elevational view thereof;

FIG. 4 is a front elevational view thereof;

FIG. 5 is a bottom plan view thereof;

FIG. 6 is a right side elevational view thereof; and

FIG. 7 is a rear elevational view thereof.

FIG. 8 is a perspective view of a second embodiment of a portable television showing my new design;

FIG. 9 is a top plan view thereof;

FIG. 10 is a left side elevational view thereof;

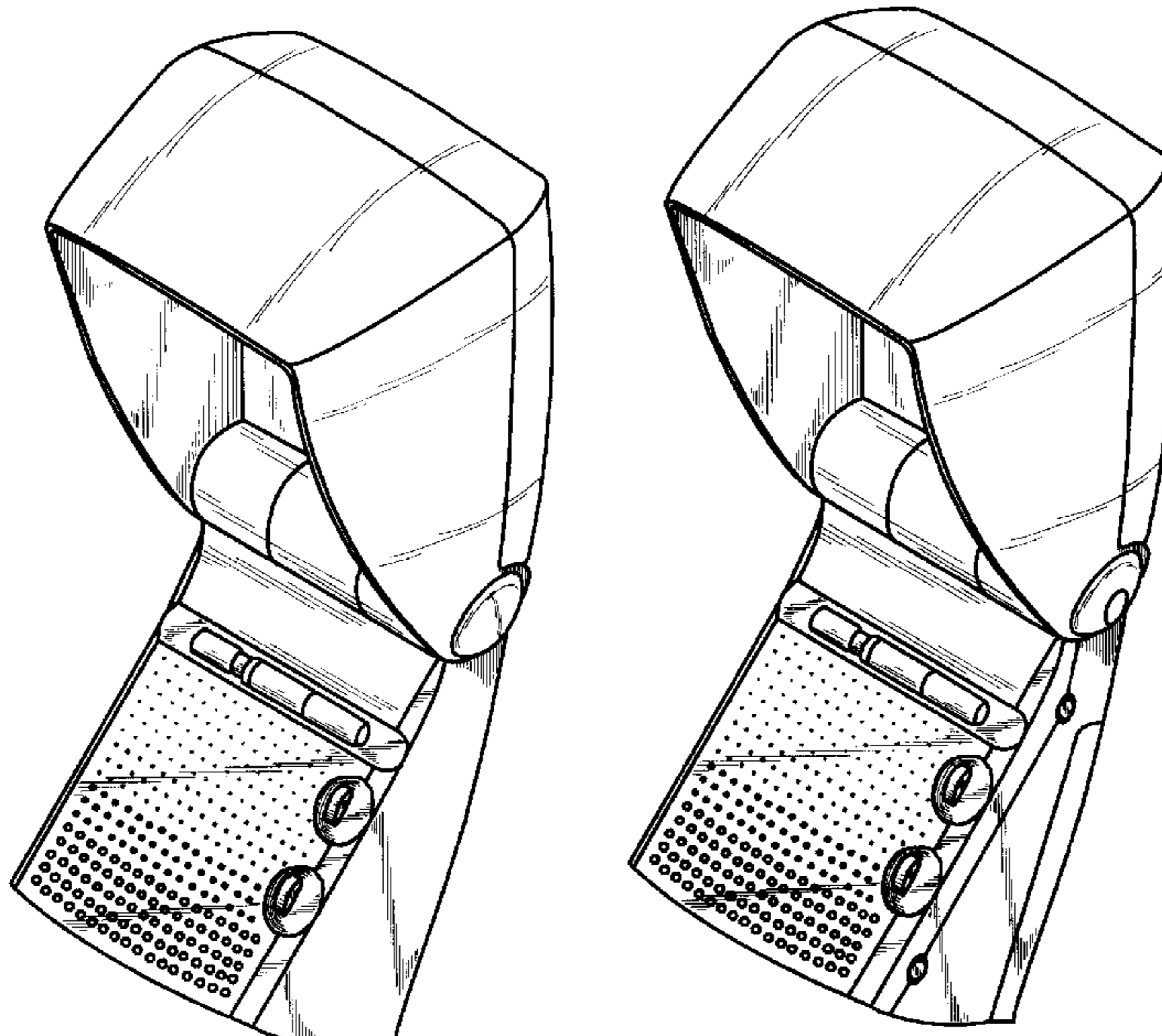
FIG. 11 is a front elevational view thereof;

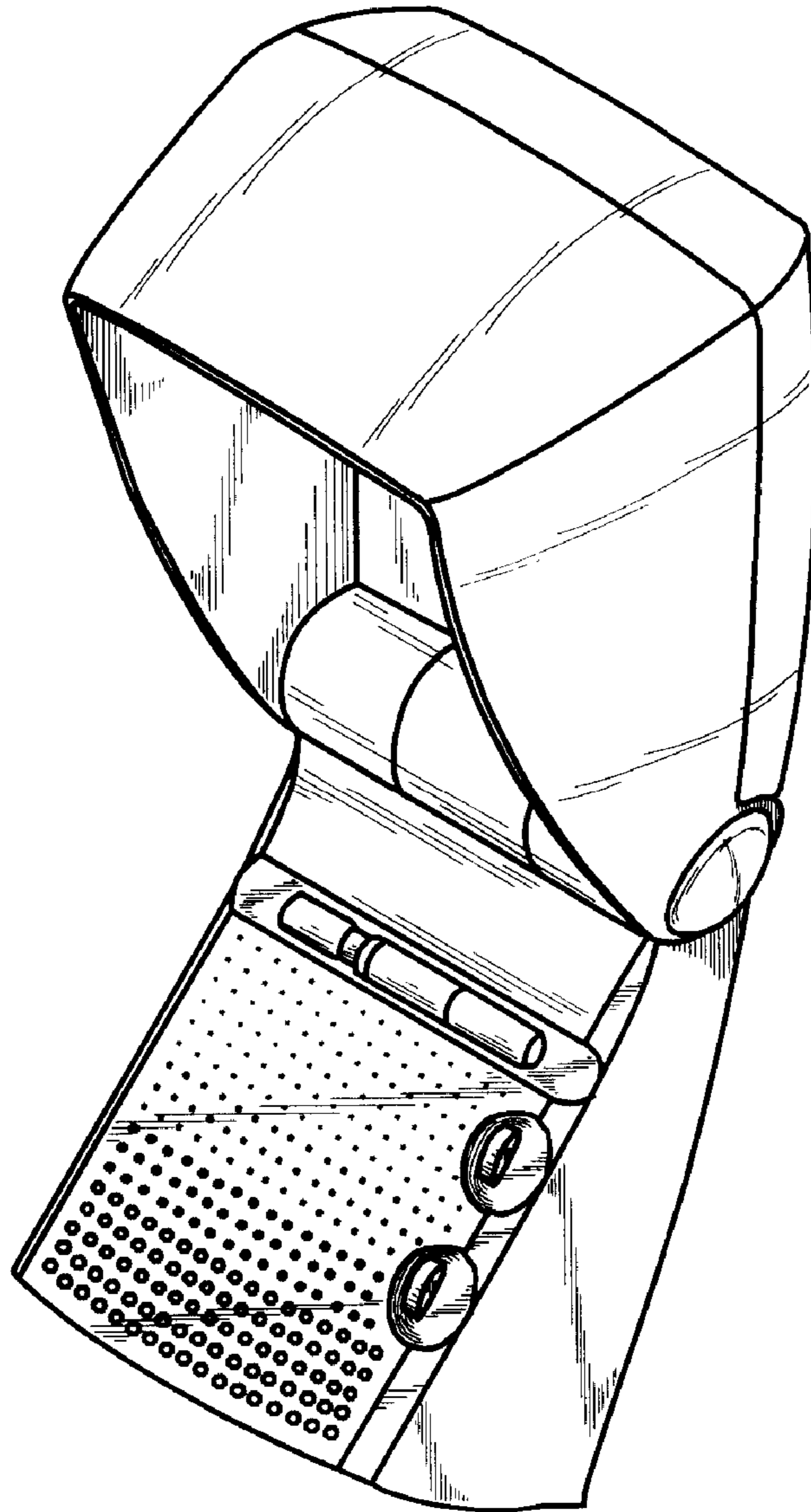
FIG. 12 is a bottom plan view thereof;

FIG. 13 is a right side elevational view thereof; and,

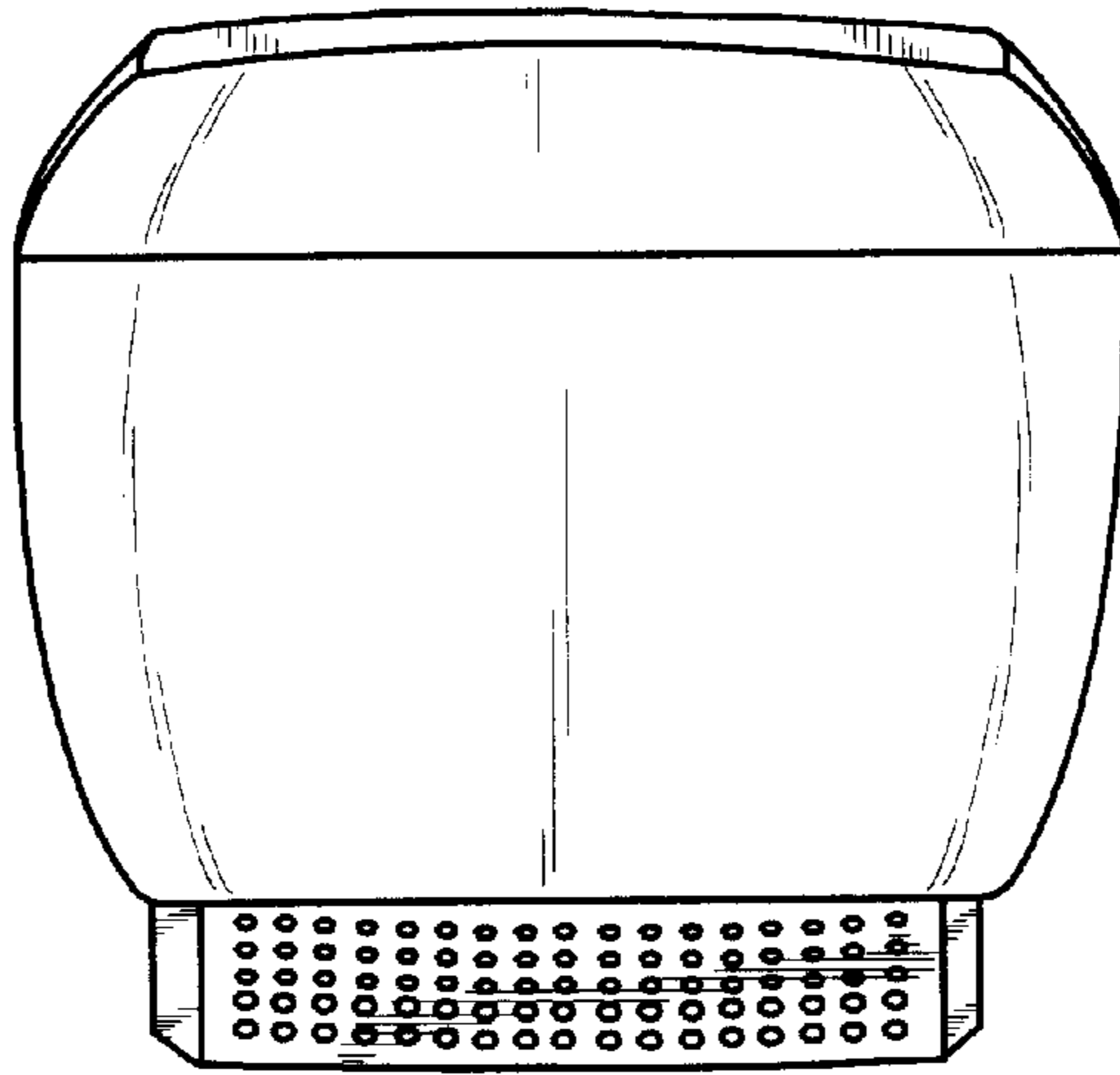
FIG. 14 is a rear elevational view thereof.

**1 Claim, 8 Drawing Sheets**

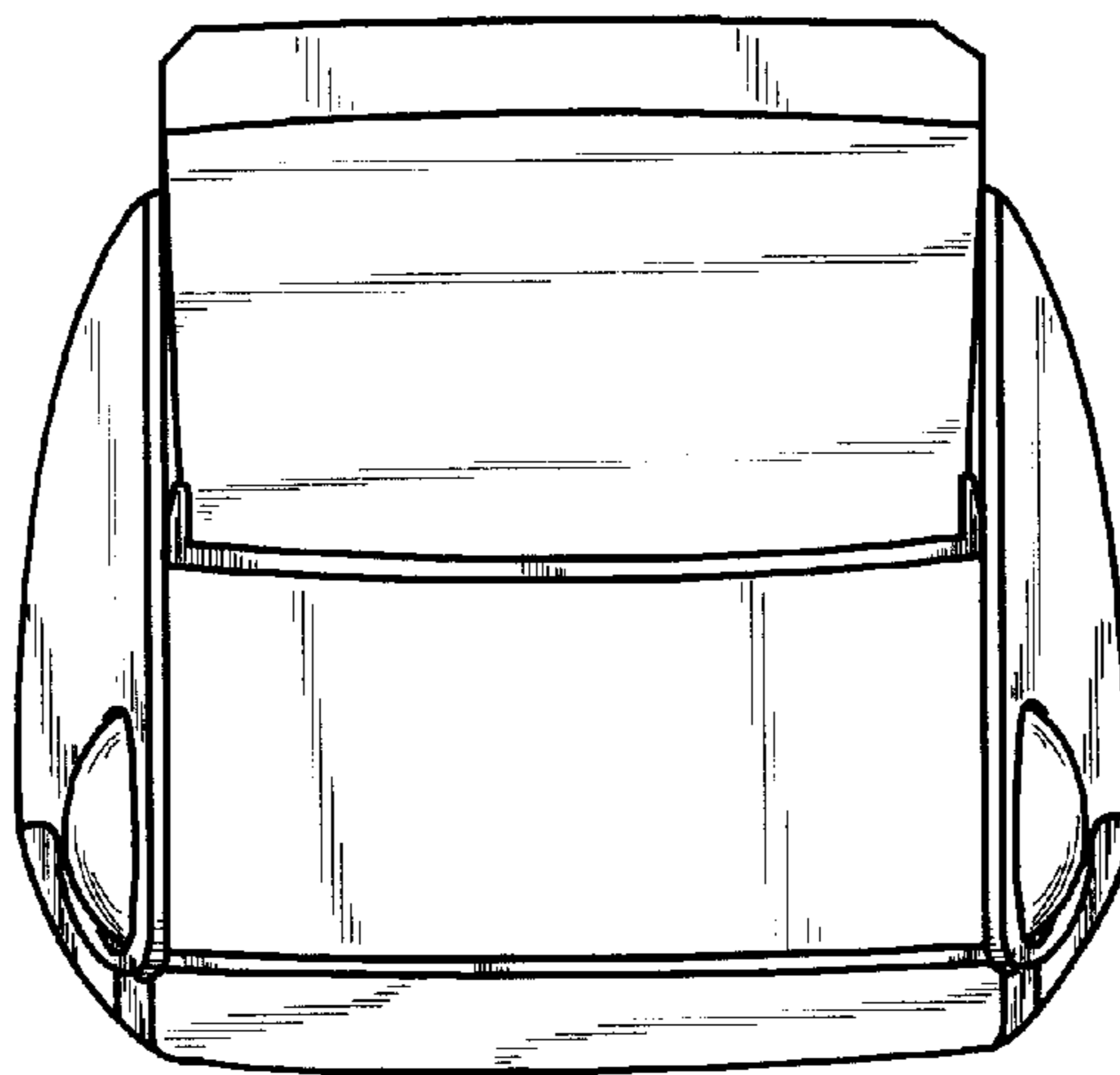




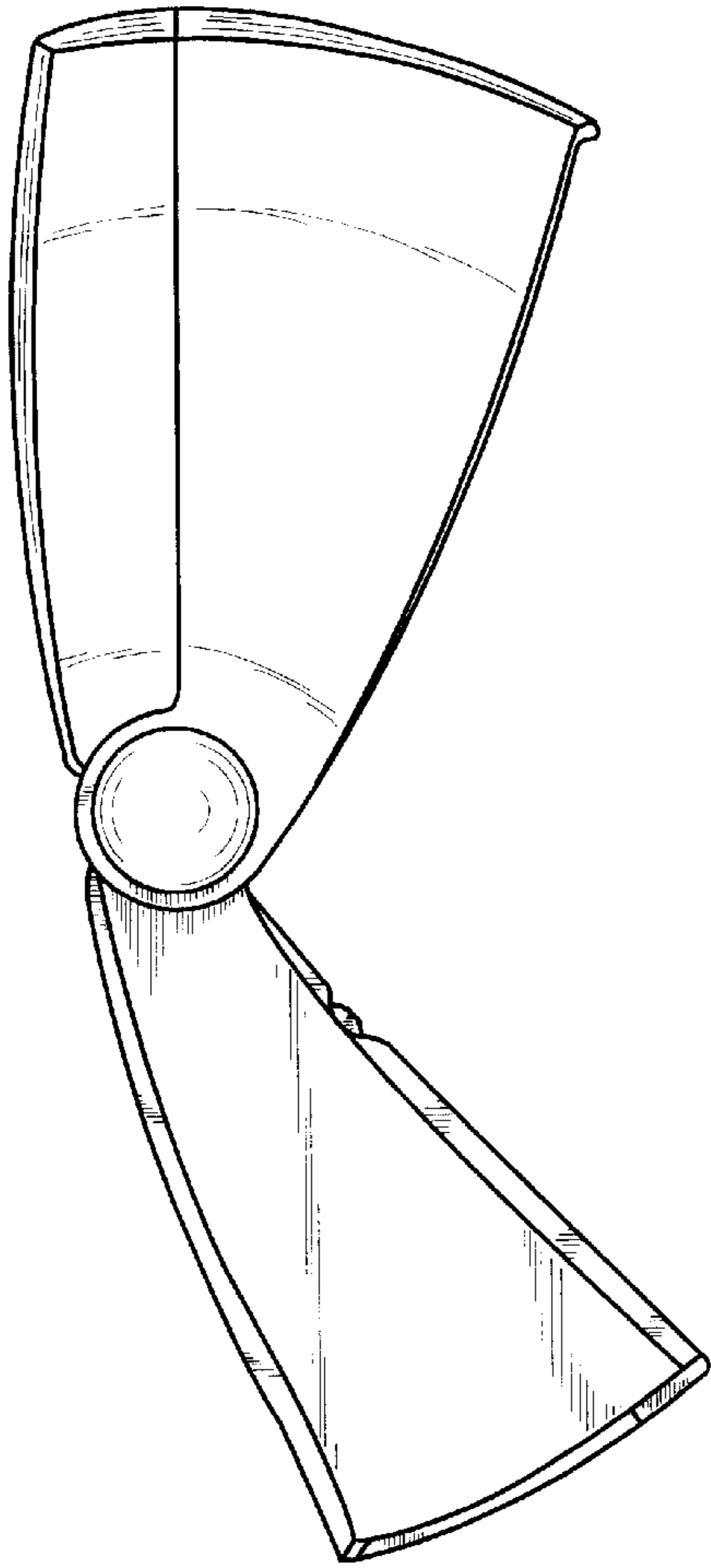
**Fig. 1**



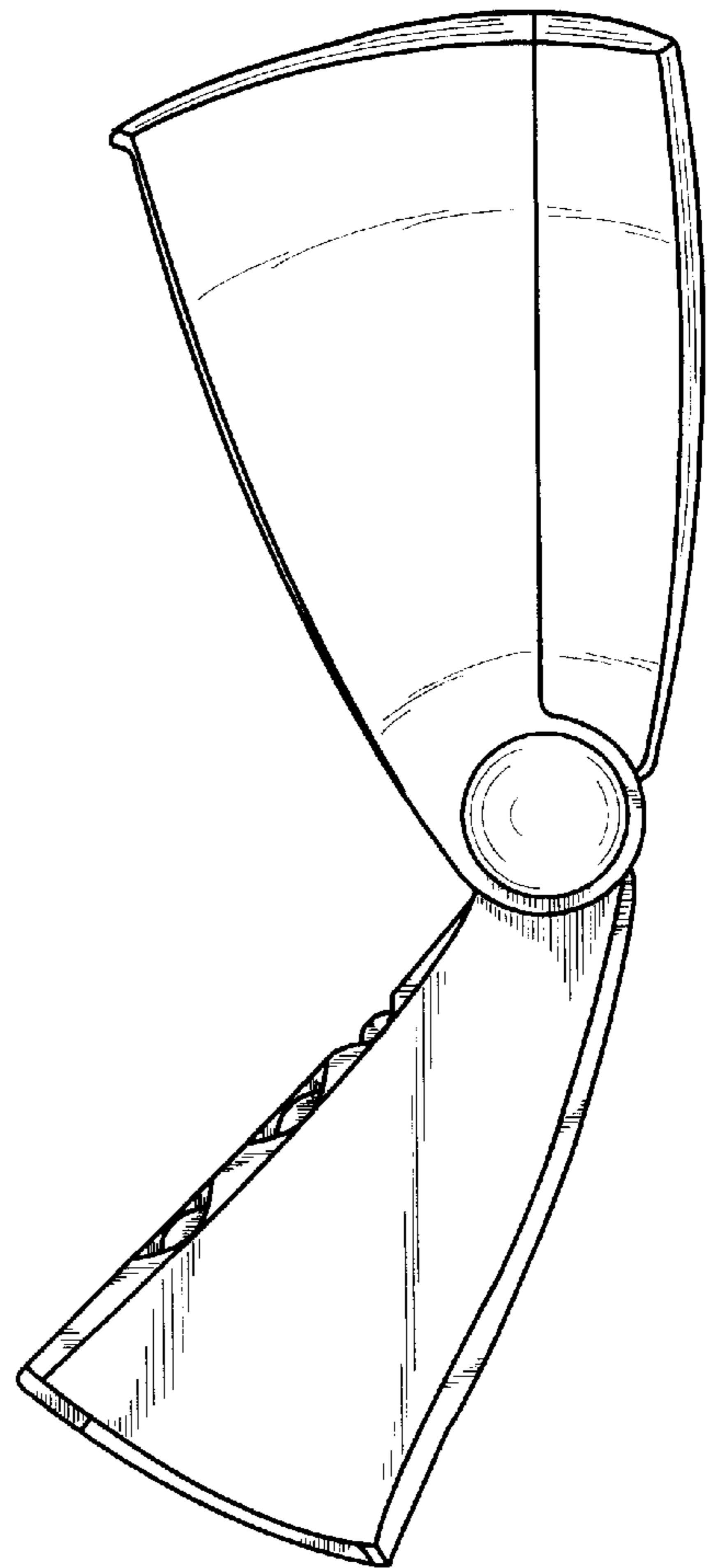
**Fig. 2**



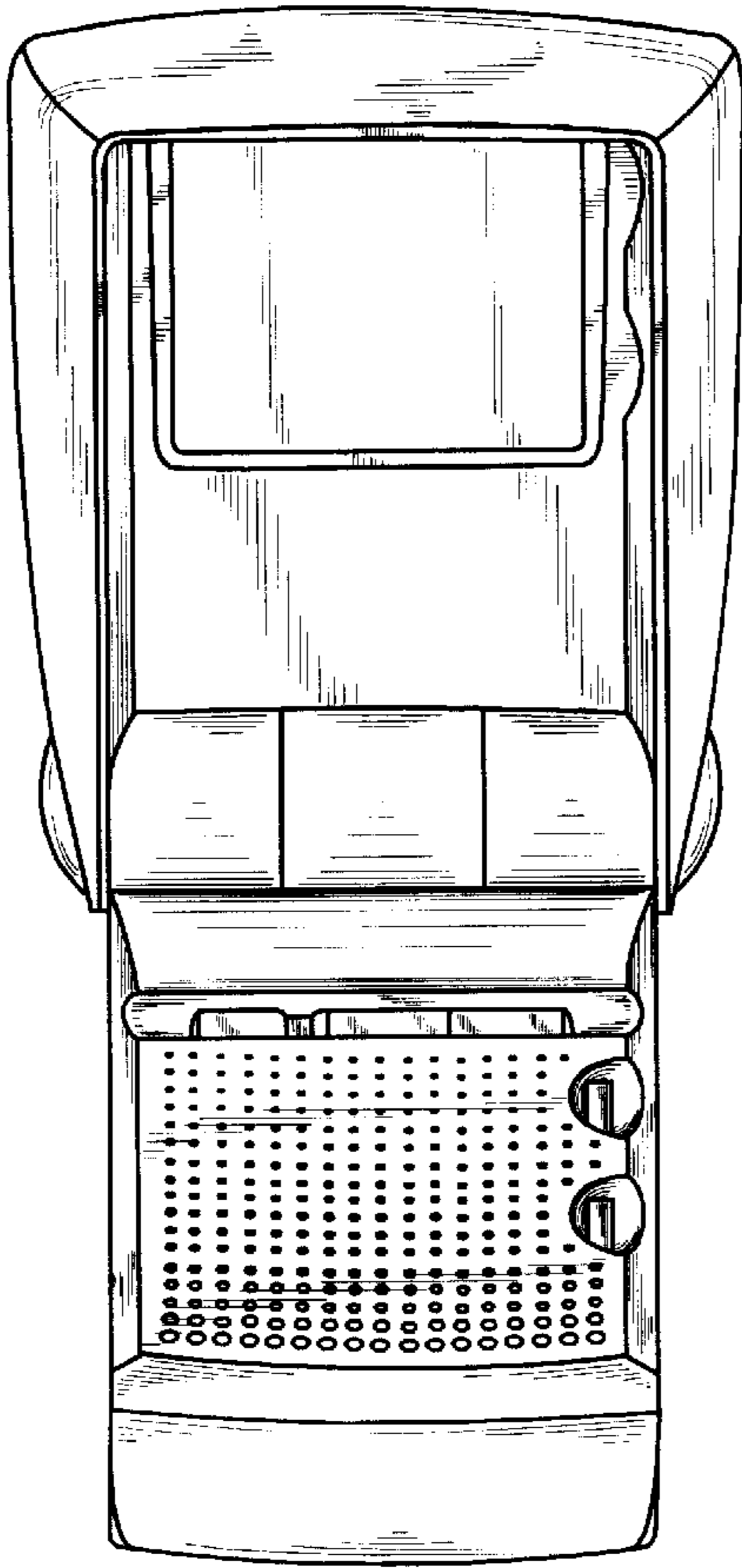
**Fig. 5**



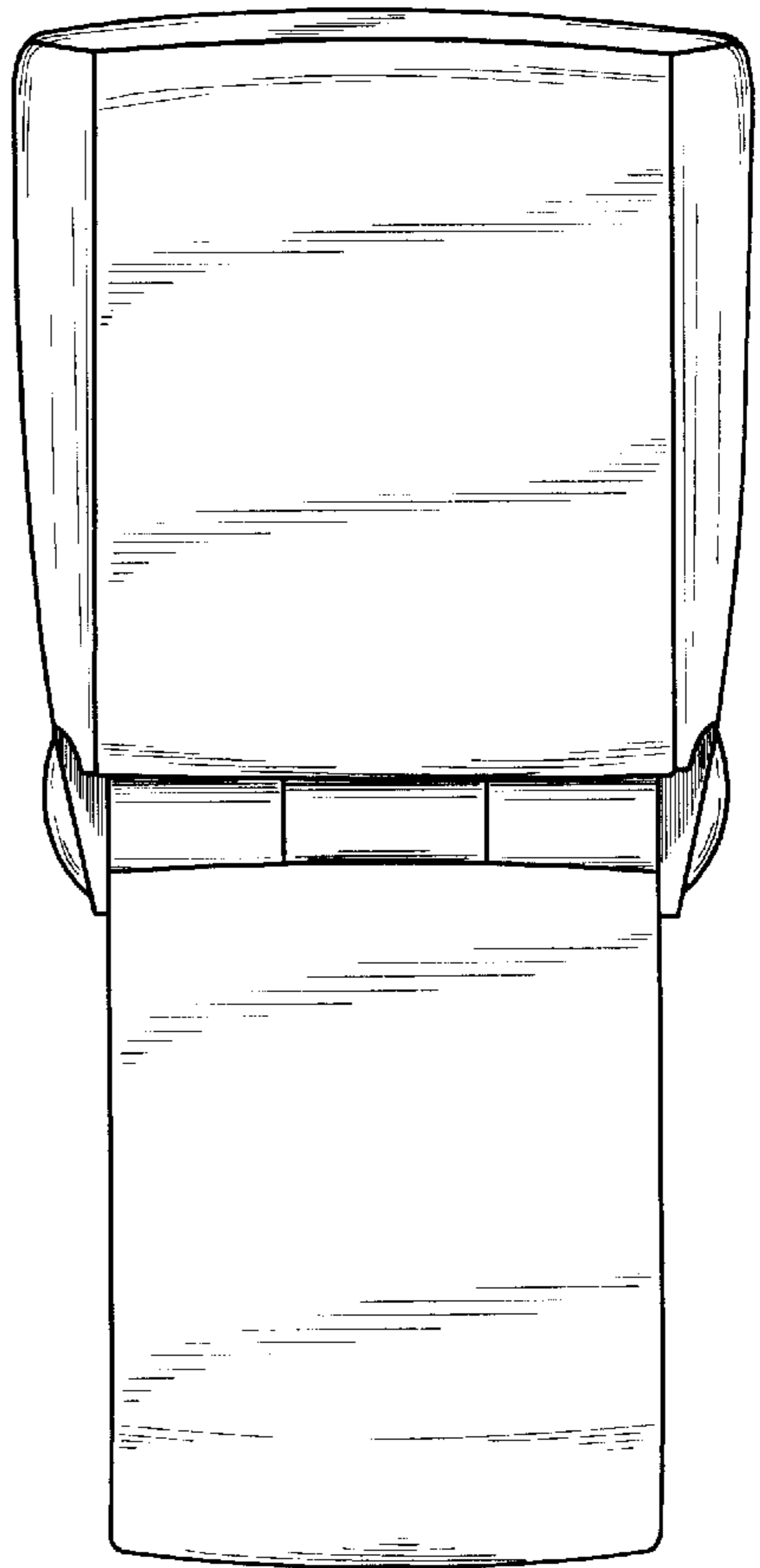
**Fig. 3**



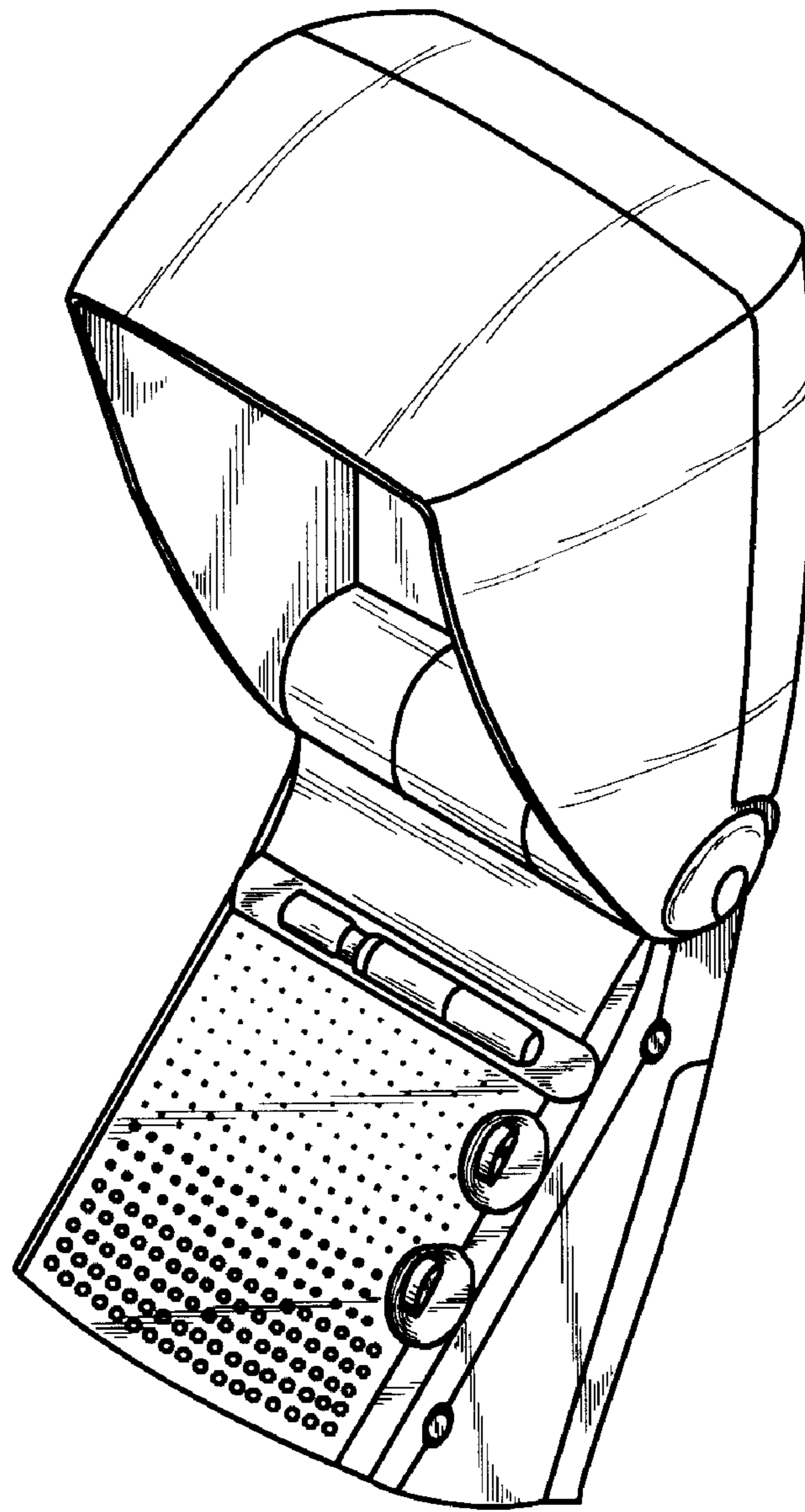
**Fig. 6**



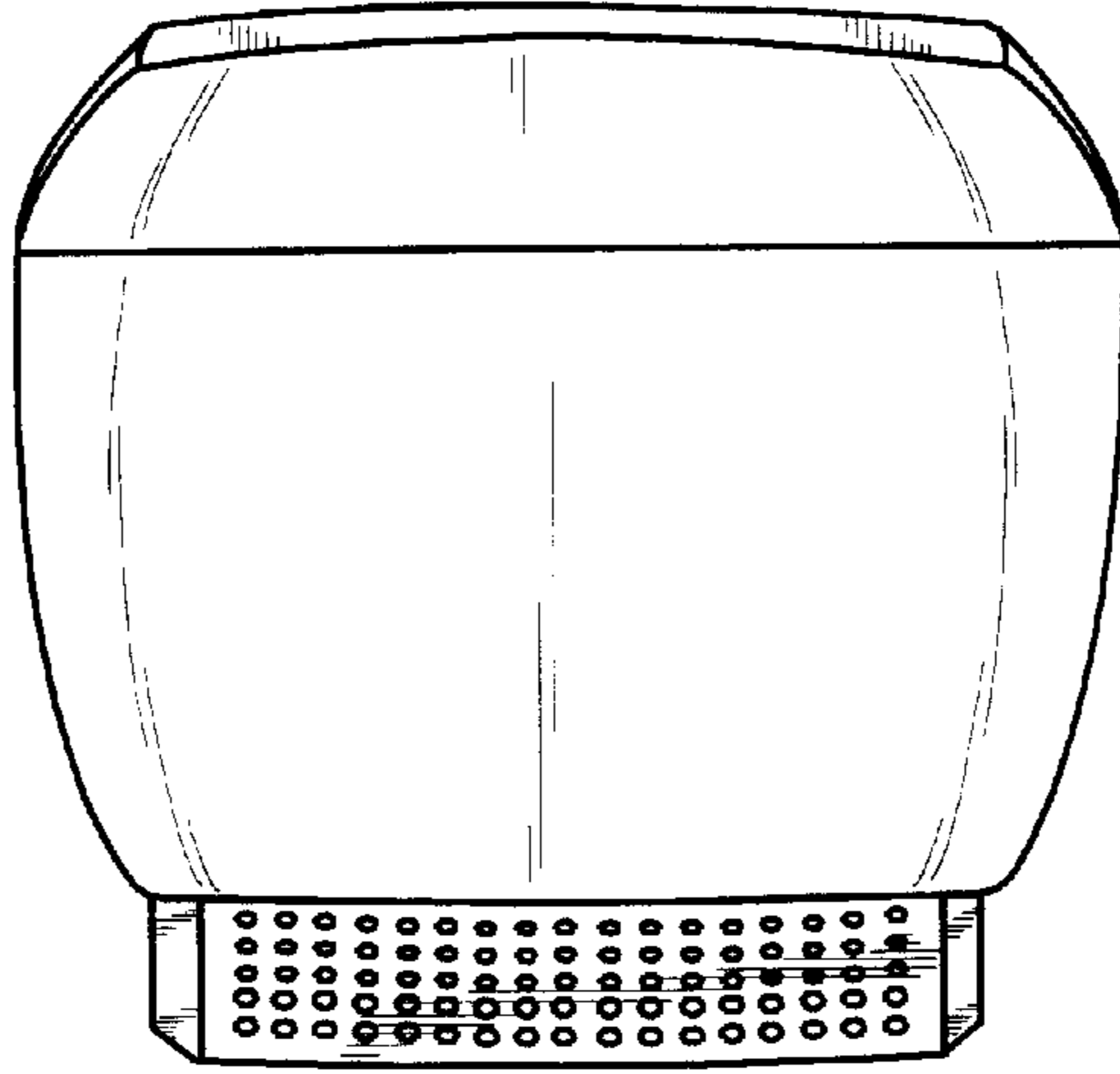
**Fig. 4**



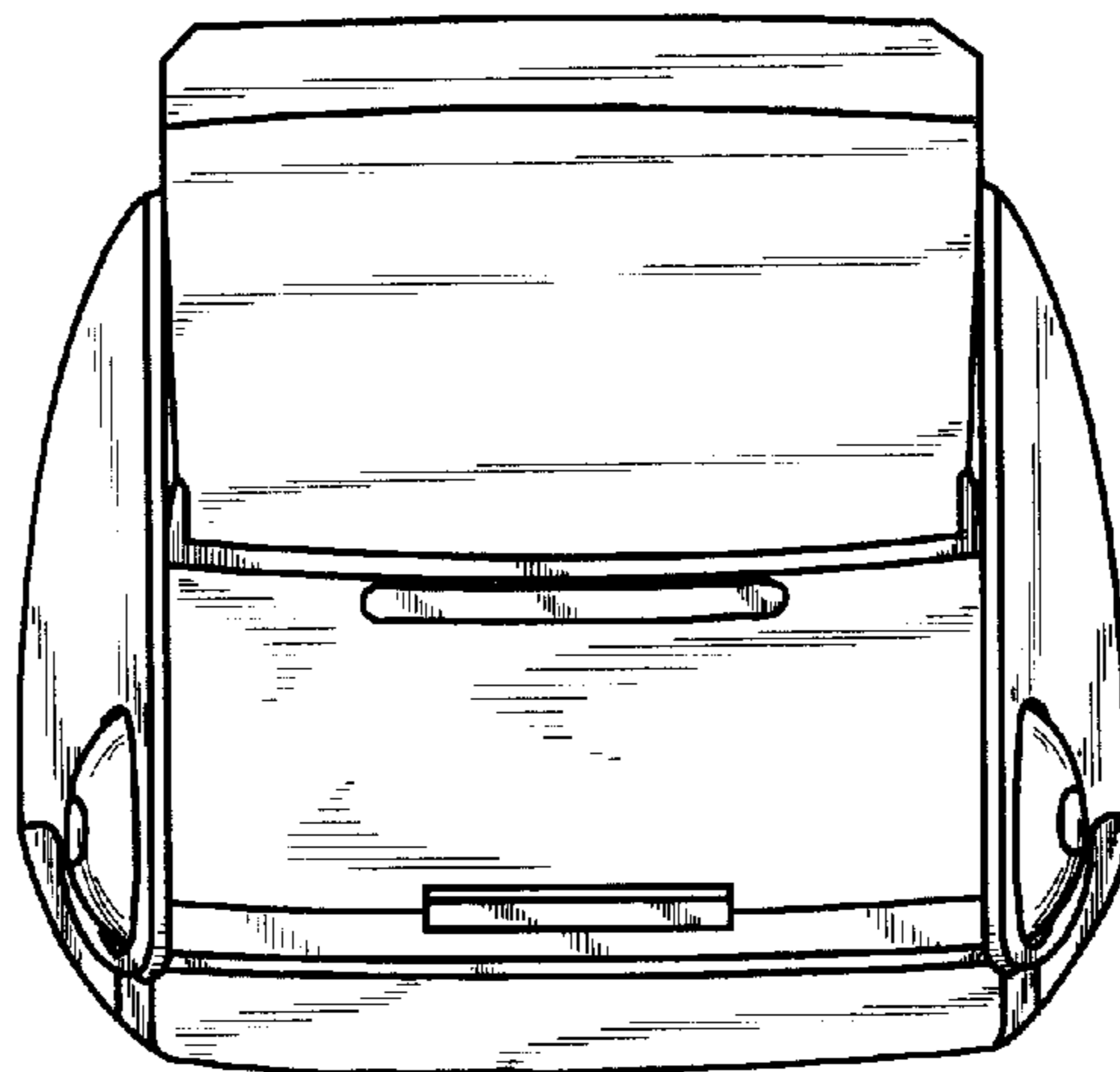
**Fig. 7**



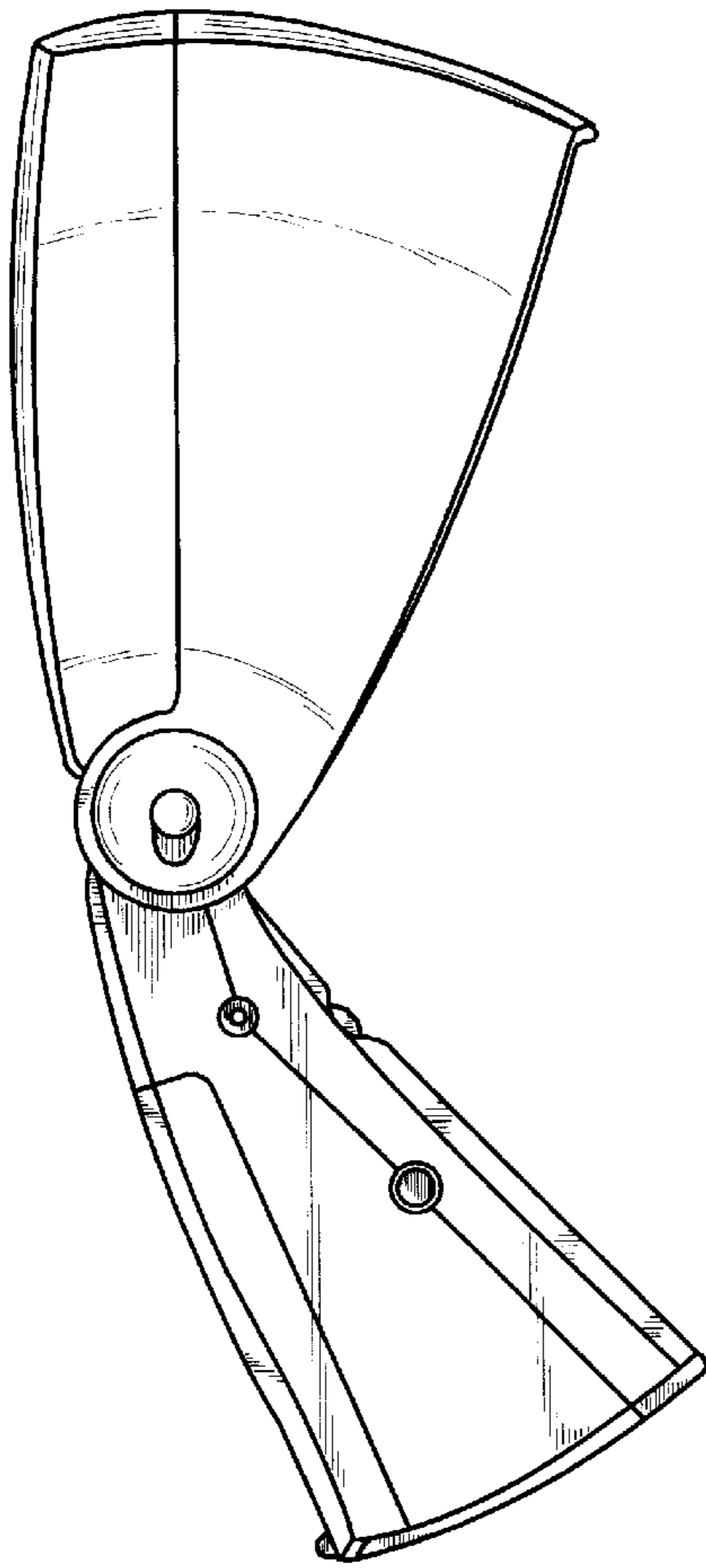
**Fig. 8**



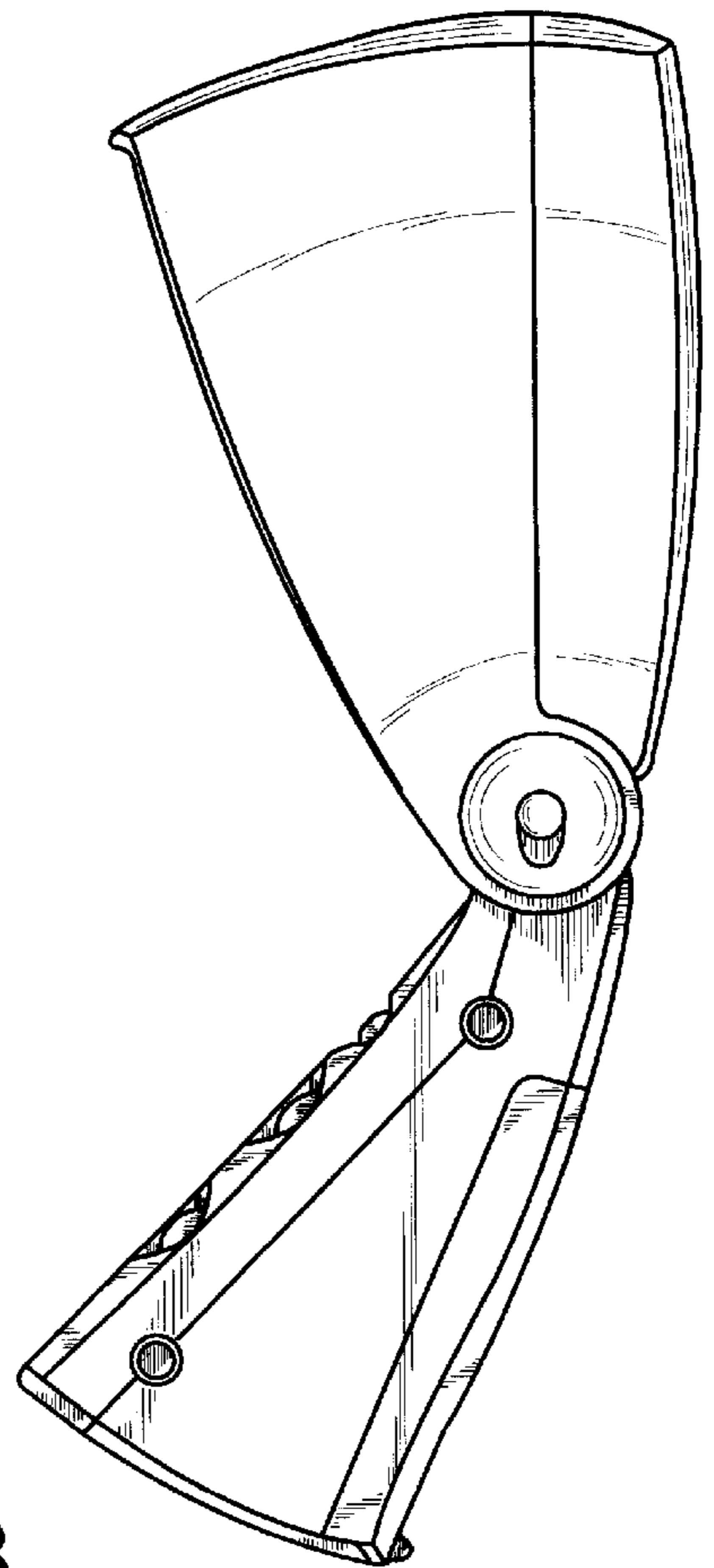
**Fig. 9**



**Fig. 12**

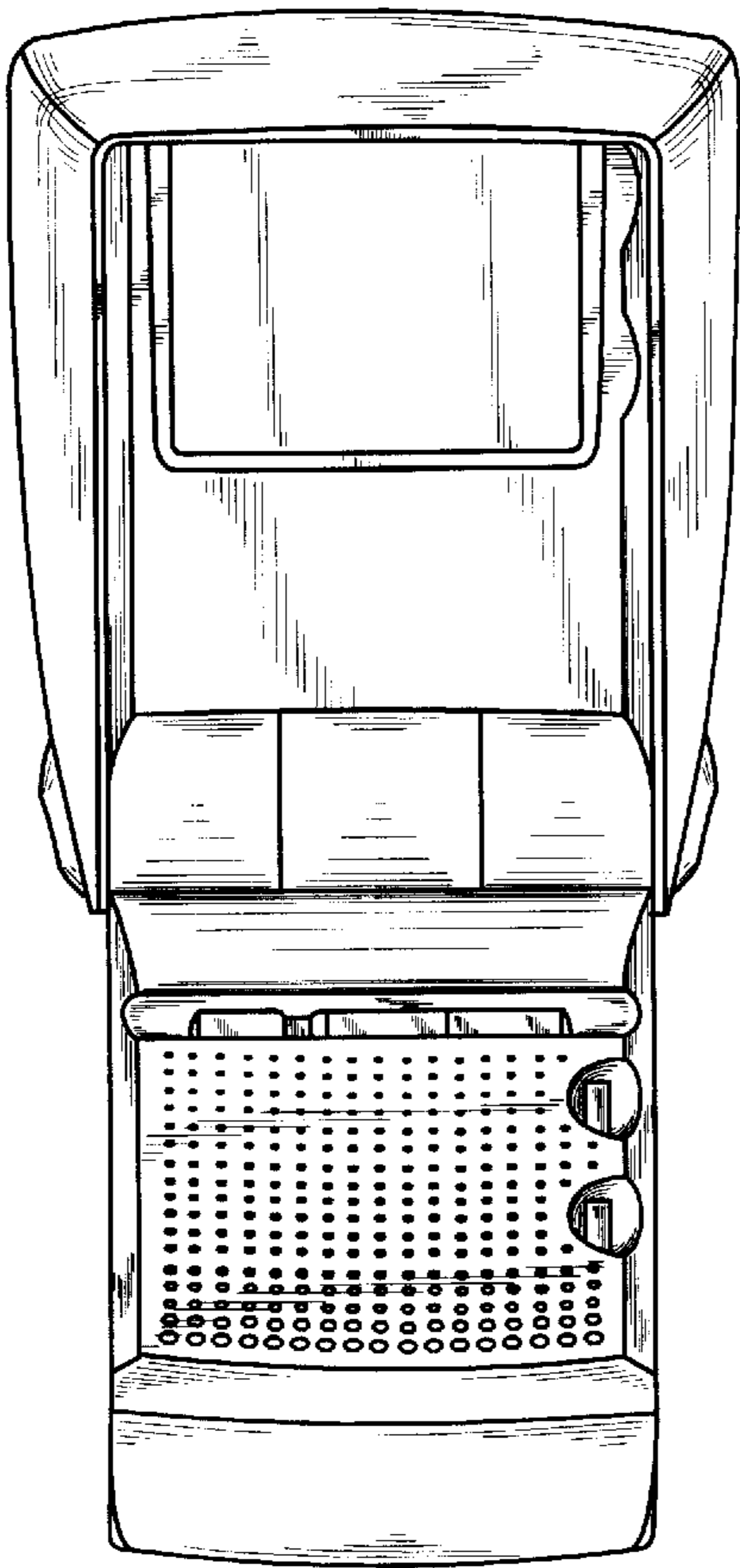


**Fig. 10**

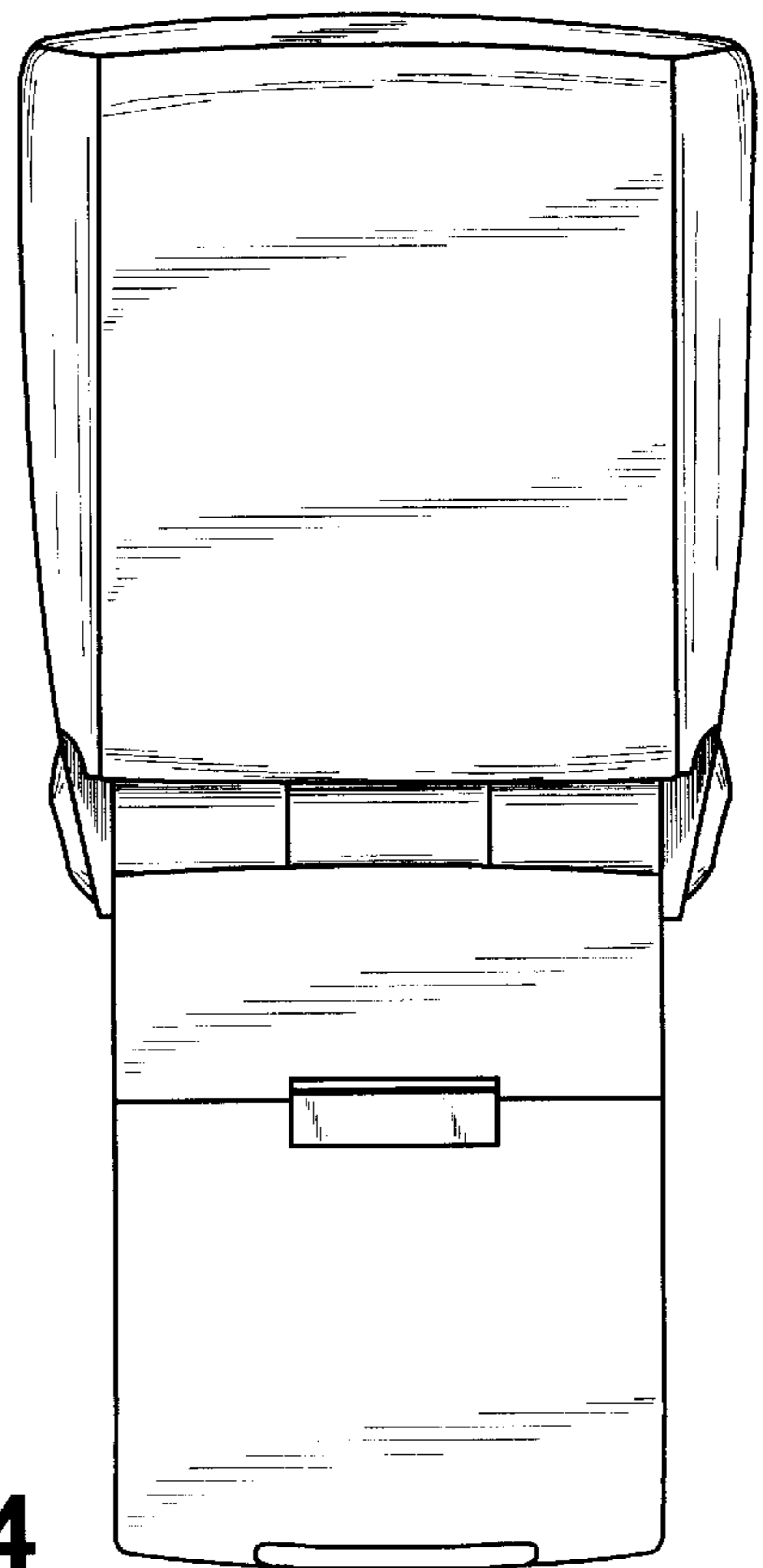


**Fig. 13**





**Fig. 11**



**Fig. 14**