



US00D448009B1

(12) **United States Design Patent**
Lavelle et al.

(10) **Patent No.:** **US D448,009 S**

(45) **Date of Patent:** **** *Sep. 18, 2001**

(54) **DISPLAY**

(75) Inventors: **Patrick M. Lavelle**, Sayville; **George C. Schedevy**, Aquebogue; **James R. Tranchina**, Dix Hills, all of NY (US)

(73) Assignee: **Audiovox Corporation**, Hauppauge, NY (US)

(*) Notice: This patent is subject to a terminal disclaimer.

(**) Term: **14 Years**

(21) Appl. No.: **29/131,738**

(22) Filed: **Oct. 27, 2000**

(51) **LOC (7) Cl.** **14-03**

(52) **U.S. Cl.** **D14/125**

(58) **Field of Search** D14/125-136,
D14/239, 371, 315, 336-355, 374-401,
496, 156; 312/7.2; 348/825, 836, 838; 345/348,
133, 139, 905, 967, 976, 977; 341/12

(56) **References Cited**

U.S. PATENT DOCUMENTS

- D. 306,016 * 2/1990 Czech et al. D14/371
- D. 308,969 * 7/1990 Kitagawa et al. D14/126
- D. 311,532 * 10/1990 Kitagawa D14/126

- D. 337,327 * 7/1993 Suzuki D14/129
- D. 366,251 * 1/1996 Rak et al. D14/315
- D. 373,778 * 9/1996 Fasciano et al. D14/371
- D. 374,004 * 9/1996 Starck D14/126
- D. 376,588 * 12/1996 Shinano D14/374
- D. 410,448 * 6/1999 Honaker et al. D14/371
- D. 412,900 * 8/1999 Utsugi D14/132
- D. 419,986 * 2/2000 Amron D14/496
- D. 429,230 * 8/2000 Shiono D14/156
- 5,243,549 * 9/1993 Oshiba .

* cited by examiner

Primary Examiner—Raphael Barkai

(74) *Attorney, Agent, or Firm*—F. Chau & Associates, LLP

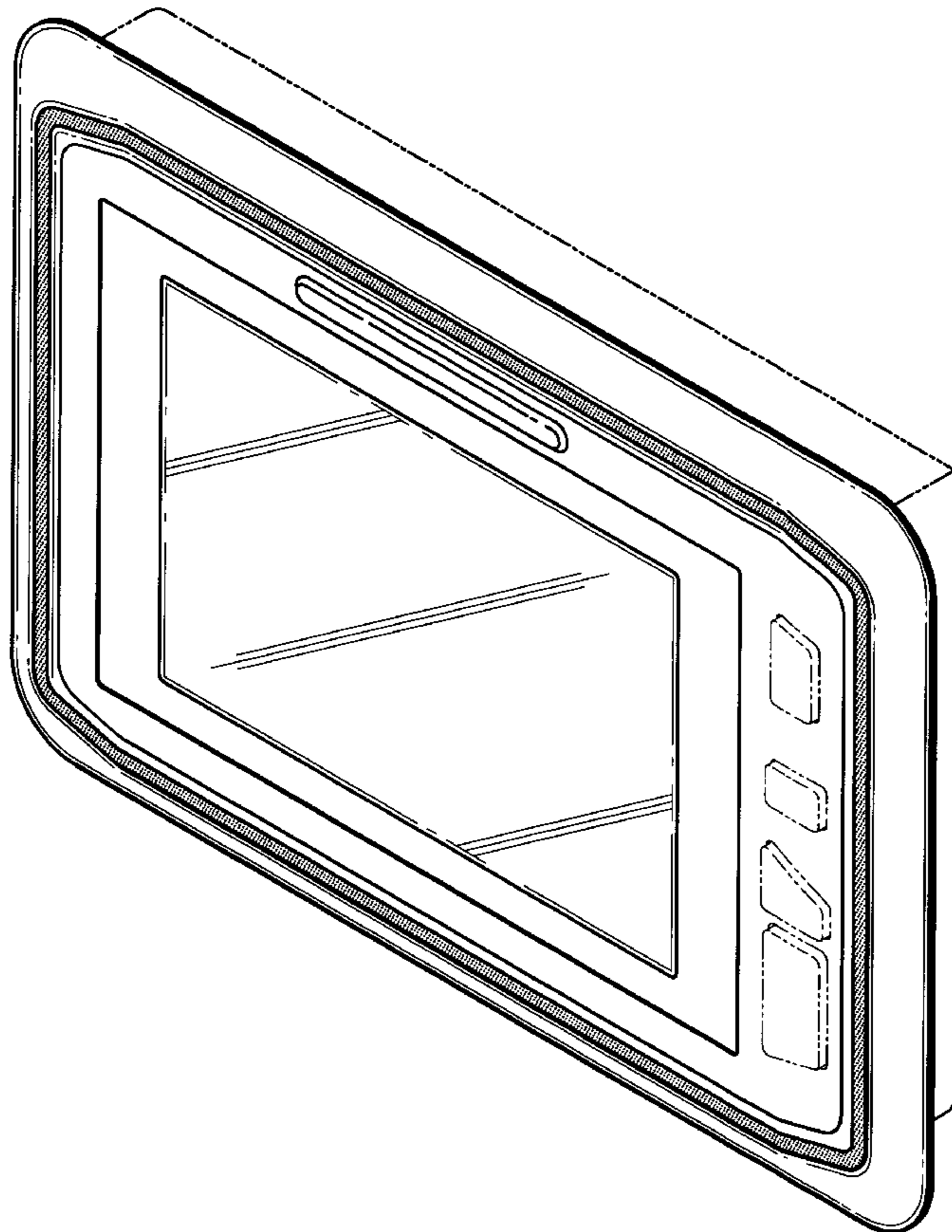
(57) **CLAIM**

The ornamental design for a display, substantially as shown and described.

DESCRIPTION

FIG. 1 is a perspective view of the display in accordance with the present invention;
FIG. 2 is a front view thereof;
FIG. 3 is a top view thereof; and,
FIG. 4 is a right-side view thereof.
The broken lines shown in FIGS. 1-4 are for illustrative purposes as an environment and form no part of the claimed design.

1 Claim, 2 Drawing Sheets



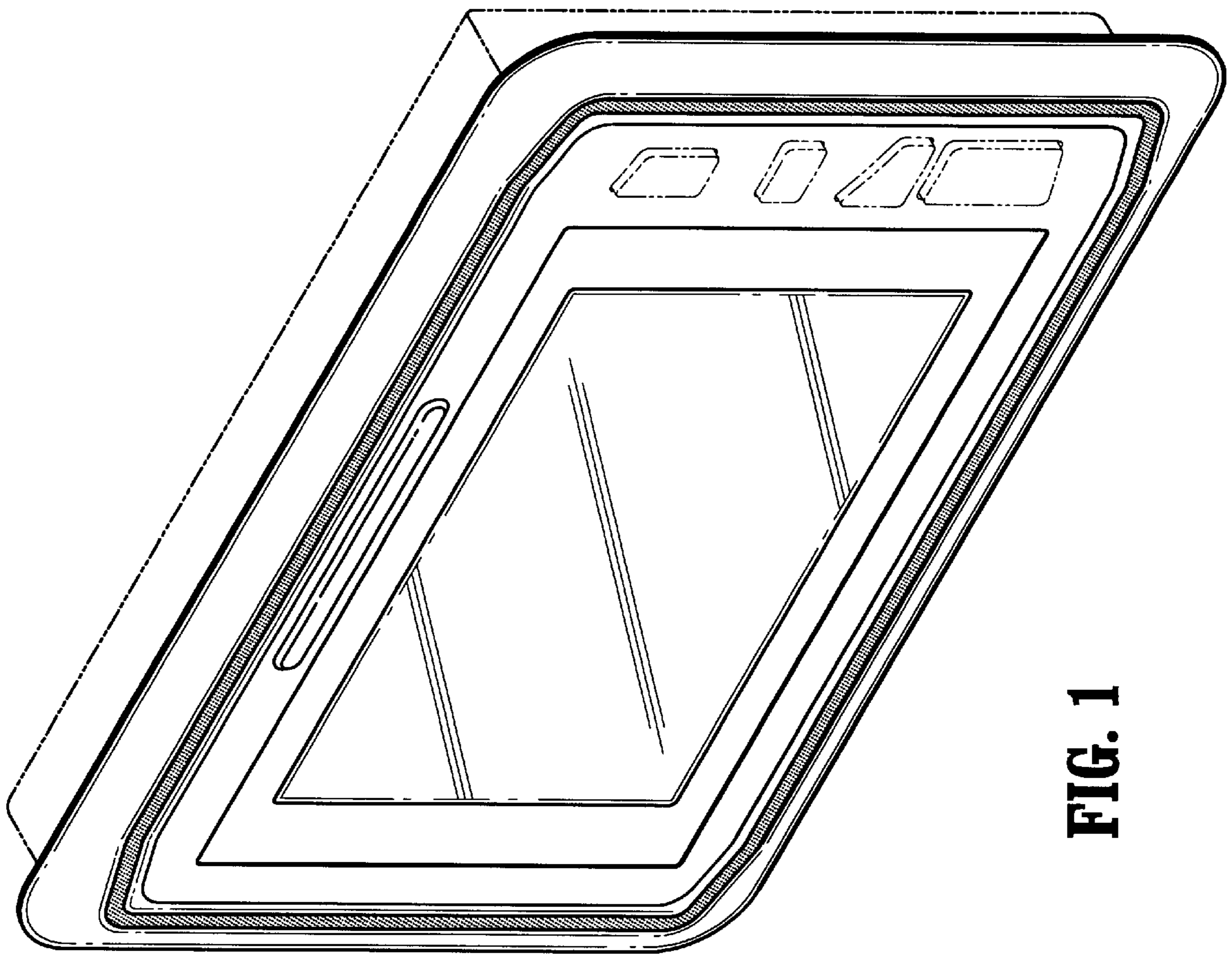


FIG. 1

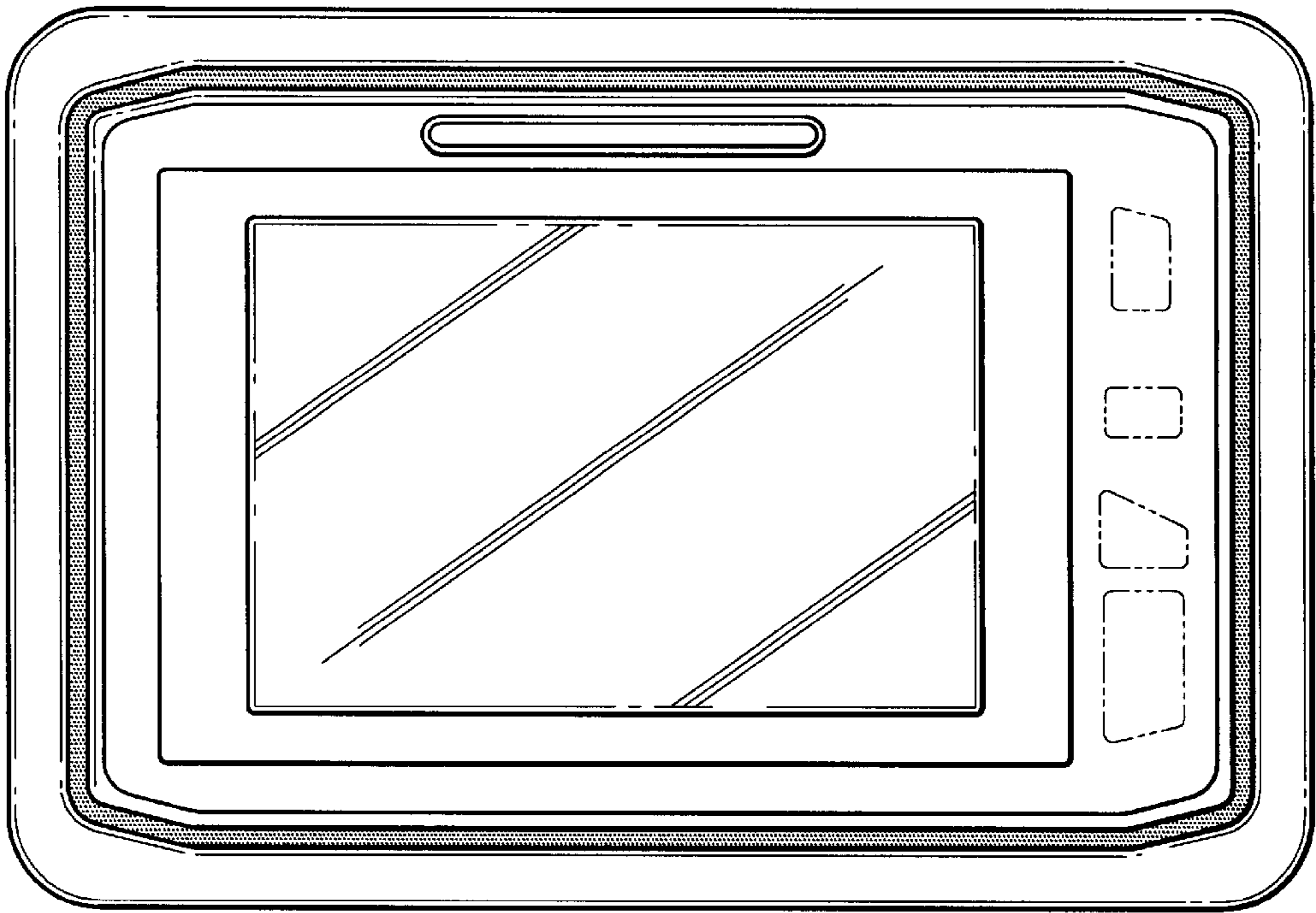


FIG. 2



FIG. 3

FIG. 4

