



US00D448007B1

(12) **United States Design Patent**
Hwang et al.

(10) **Patent No.:** **US D448,007 S**

(45) **Date of Patent:** **** Sep. 18, 2001**

(54) **SHROUD STRUCTURE FOR A CABLE CONNECTOR**

(75) Inventors: **Jenq-Yih Hwang**, Irvine; **Dennis B. Jones**, Orange, both of CA (US)

(73) Assignee: **Hon Hai Precision Ind. Co., Ltd.**, Taipei Hsien (TW)

(**) Term: **14 Years**

(21) Appl. No.: **29/128,959**

(22) Filed: **Sep. 1, 2000**

(51) **LOC (7) Cl.** **13-03**

(52) **U.S. Cl.** **D13/154**

(58) **Field of Search** D13/146, 147, D13/154; 439/352, 353, 357, 358

(56) **References Cited**

U.S. PATENT DOCUMENTS

4,460,230	*	7/1984	McKee et al.	439/454
4,838,810	*	6/1989	Yoshimura et al.	439/358
4,961,711	*	10/1990	Fujiura et al.	439/357
5,178,556	*	1/1993	Chen	439/357
5,178,557	*	1/1993	Hashiguchi	439/357
5,197,901	*	3/1993	Hashiguchi	439/352

5,201,669	*	4/1993	Lin	439/357
5,344,335	*	9/1994	Scholz et al.	439/357
5,611,708	*	3/1997	Mizunuma et al.	439/358
5,941,726	*	8/1999	Koegel et al.	439/358
6,146,205	*	11/2000	Lai	439/358 X

* cited by examiner

Primary Examiner—Joel Sincavage

(74) *Attorney, Agent, or Firm*—Wei Te Chung

(57) **CLAIM**

The ornamental design for a shroud structure for a cable connector, as shown and described.

DESCRIPTION

FIG. 1 is a front, top and right side perspective view of a shroud structure for a cable connector showing our new design, a cable connector being shown in broken lines for illustrative purposes only;

FIG. 2 is a front elevational view thereof;

FIG. 3 is a rear elevational view thereof;

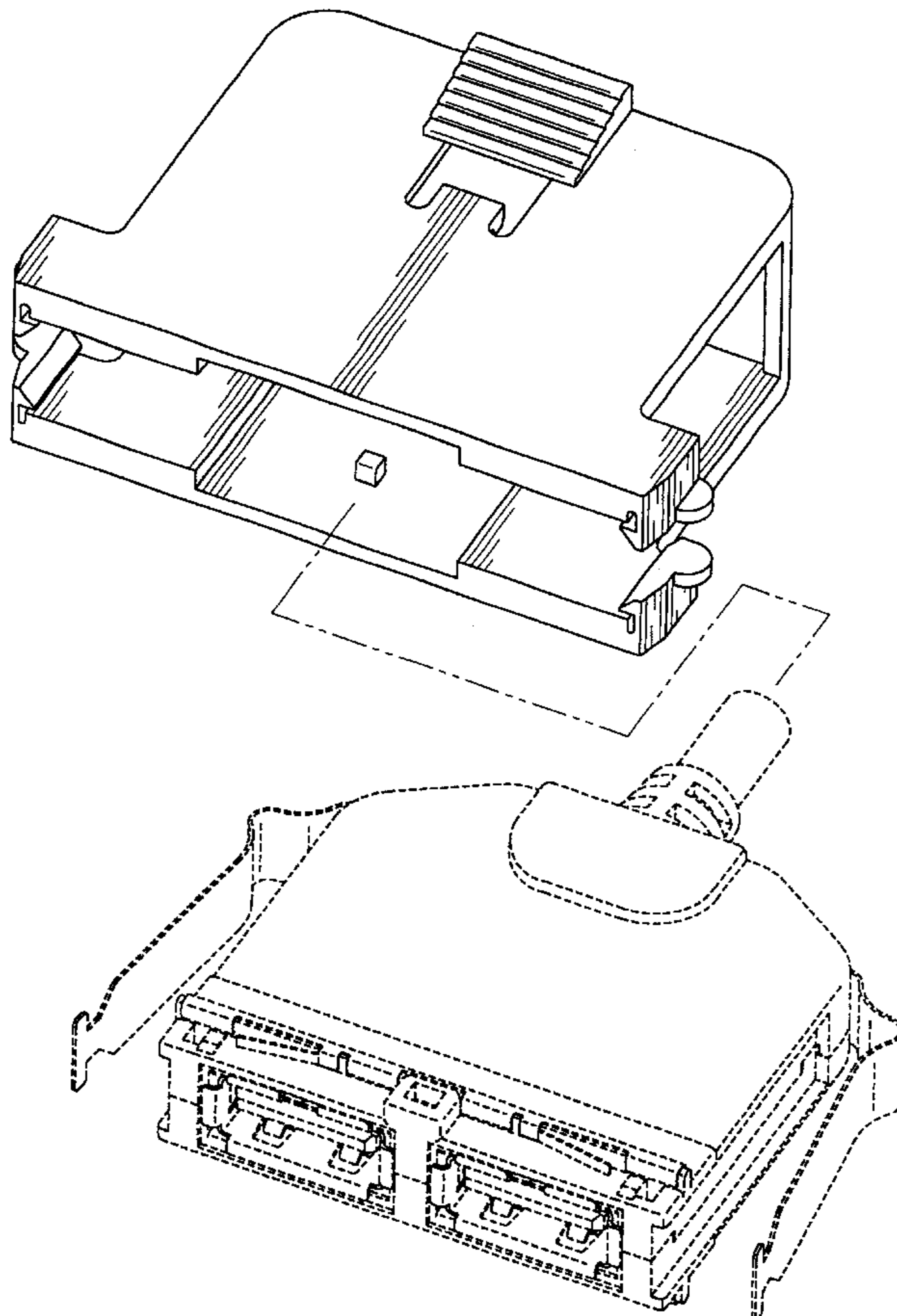
FIG. 4 is a left side elevational view thereof;

FIG. 5 is a right side elevational view thereof;

FIG. 6 is a top plan view thereof; and,

FIG. 7 is a bottom plan view thereof.

1 Claim, 7 Drawing Sheets



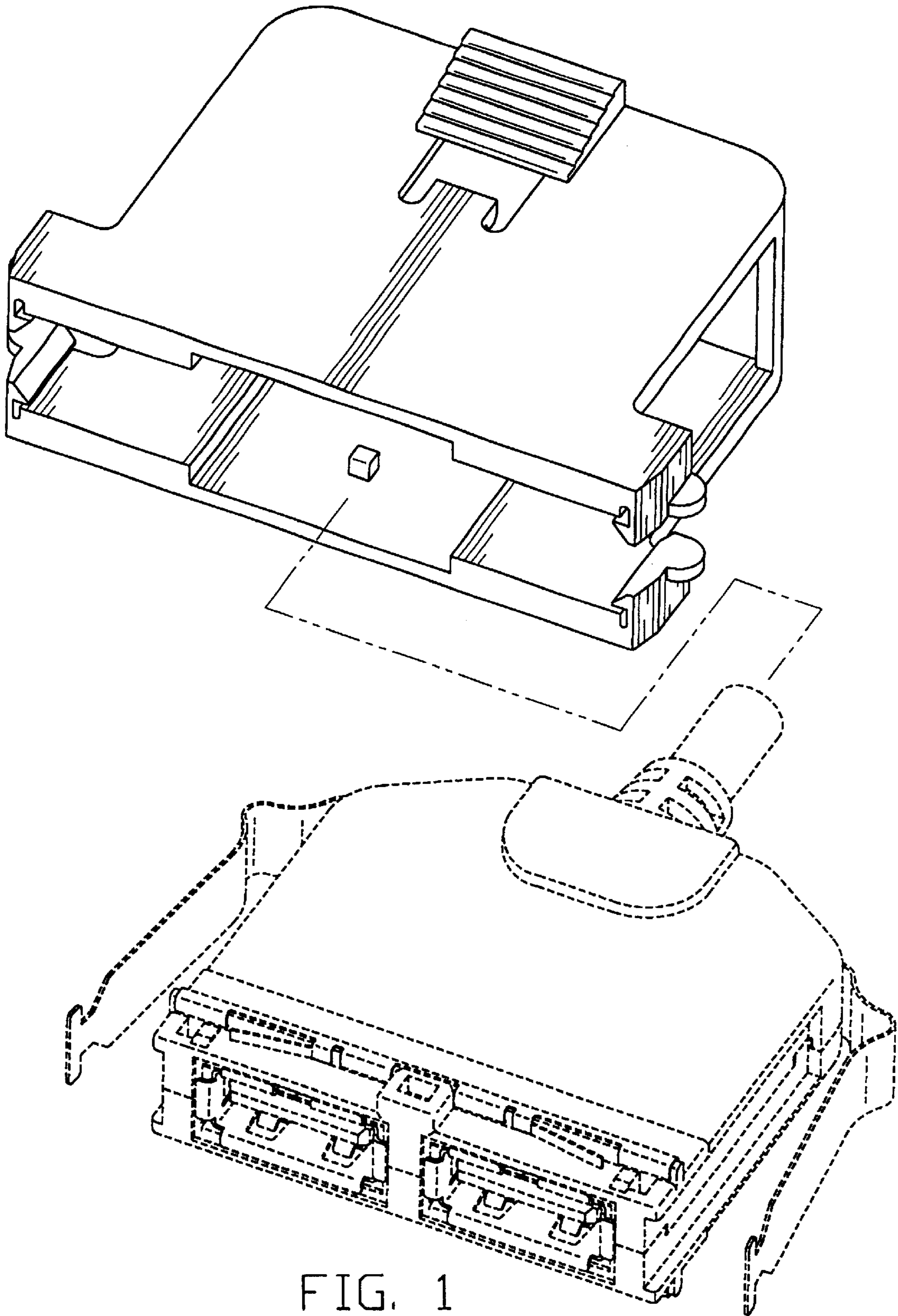


FIG. 1

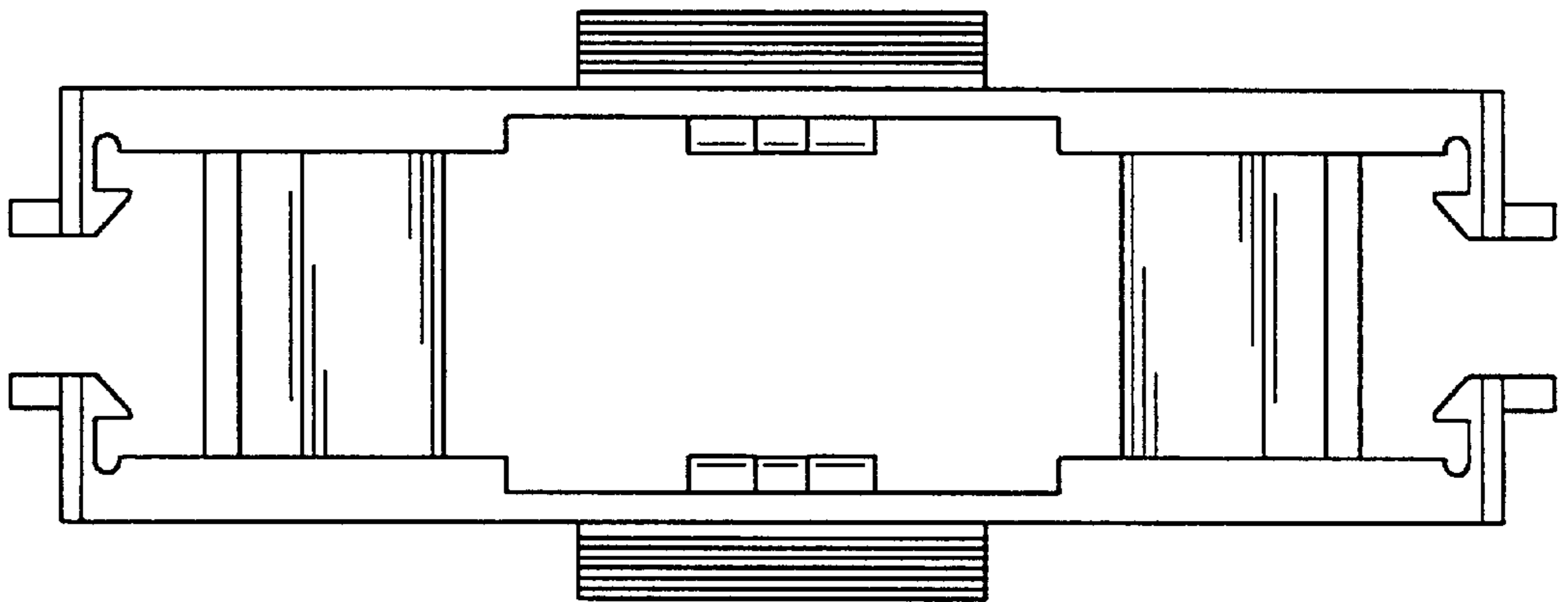


FIG. 2

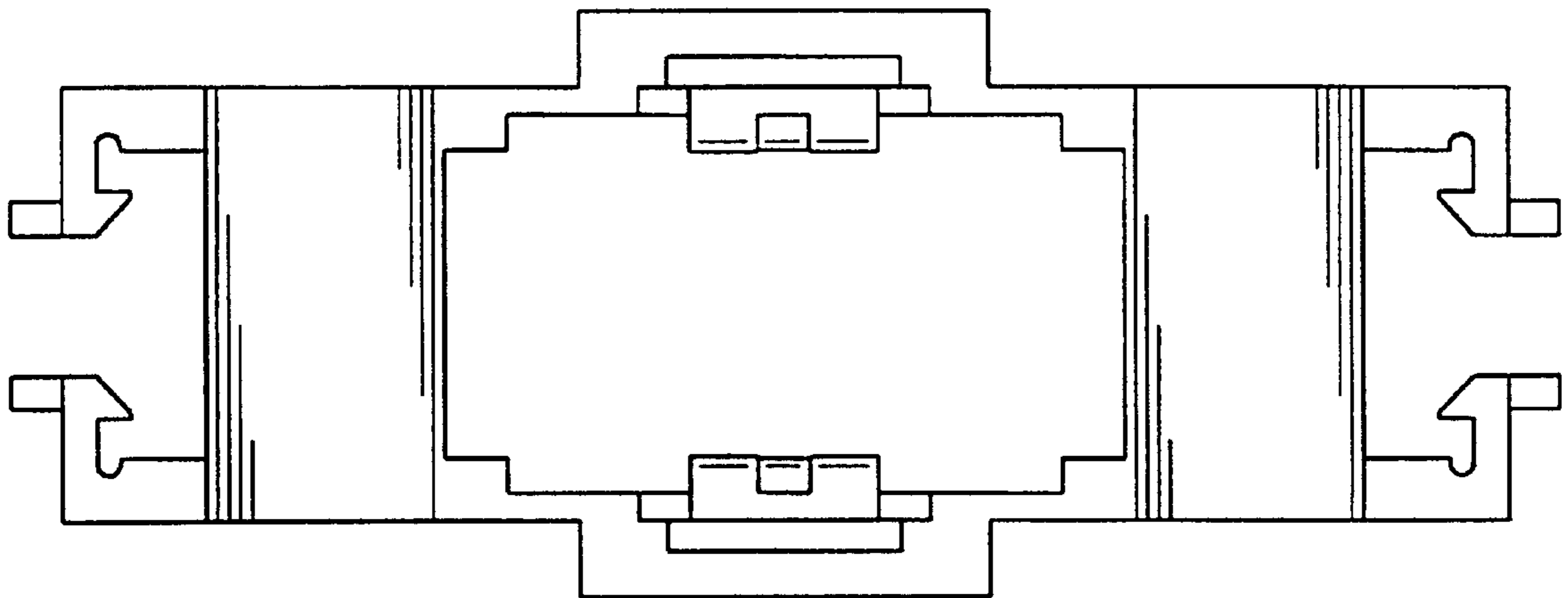


FIG. 3

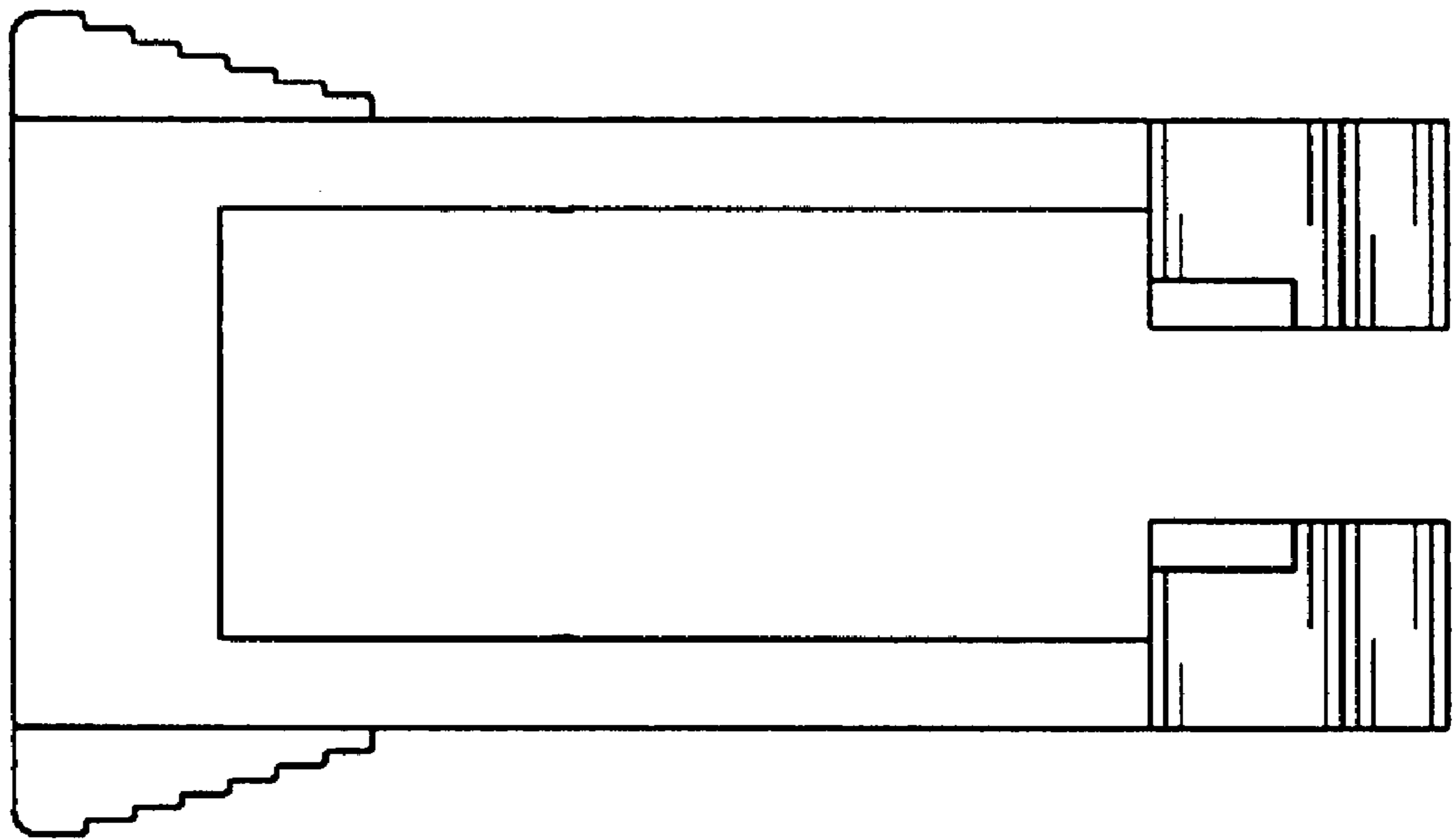


FIG. 4

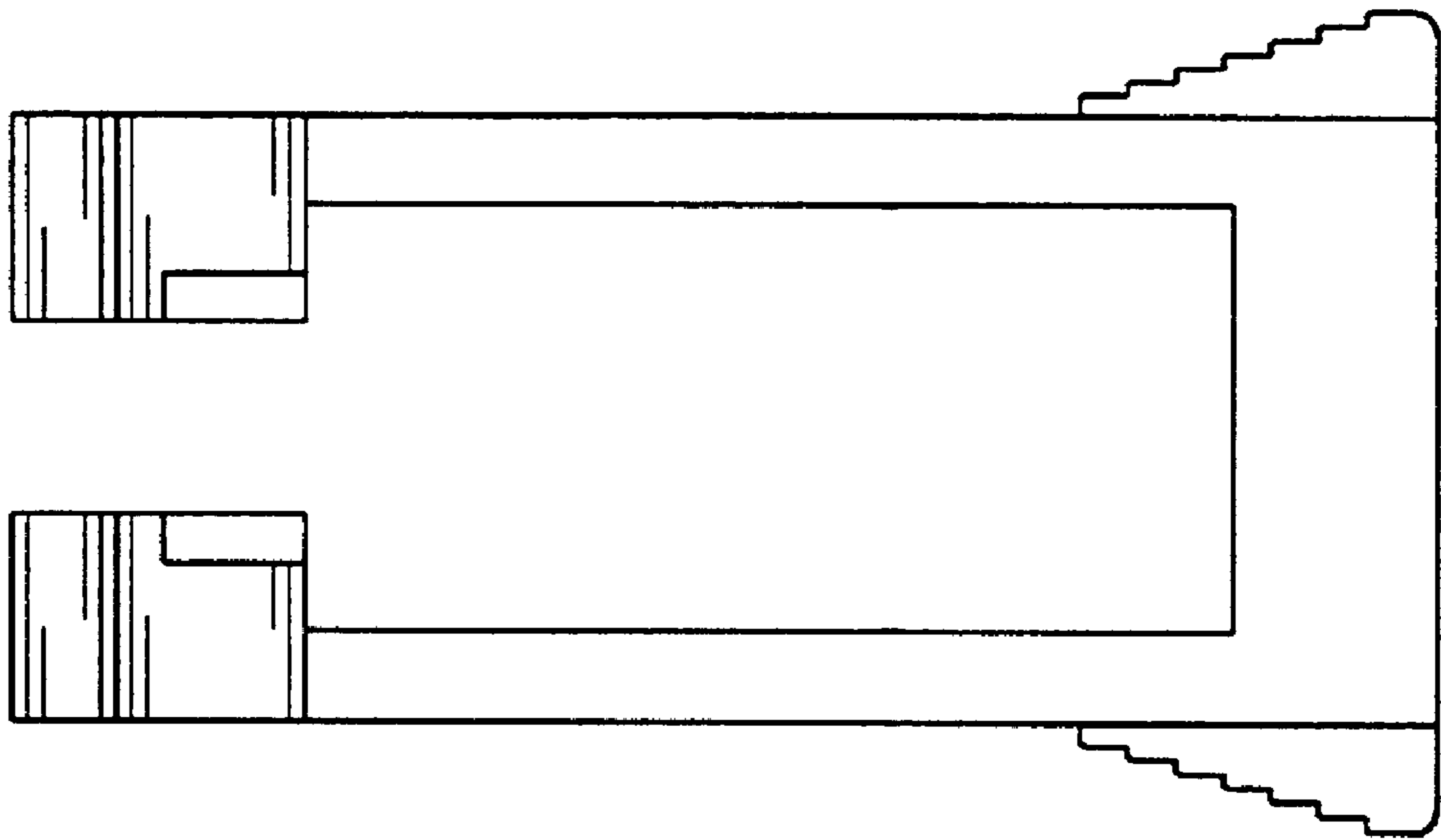


FIG. 5

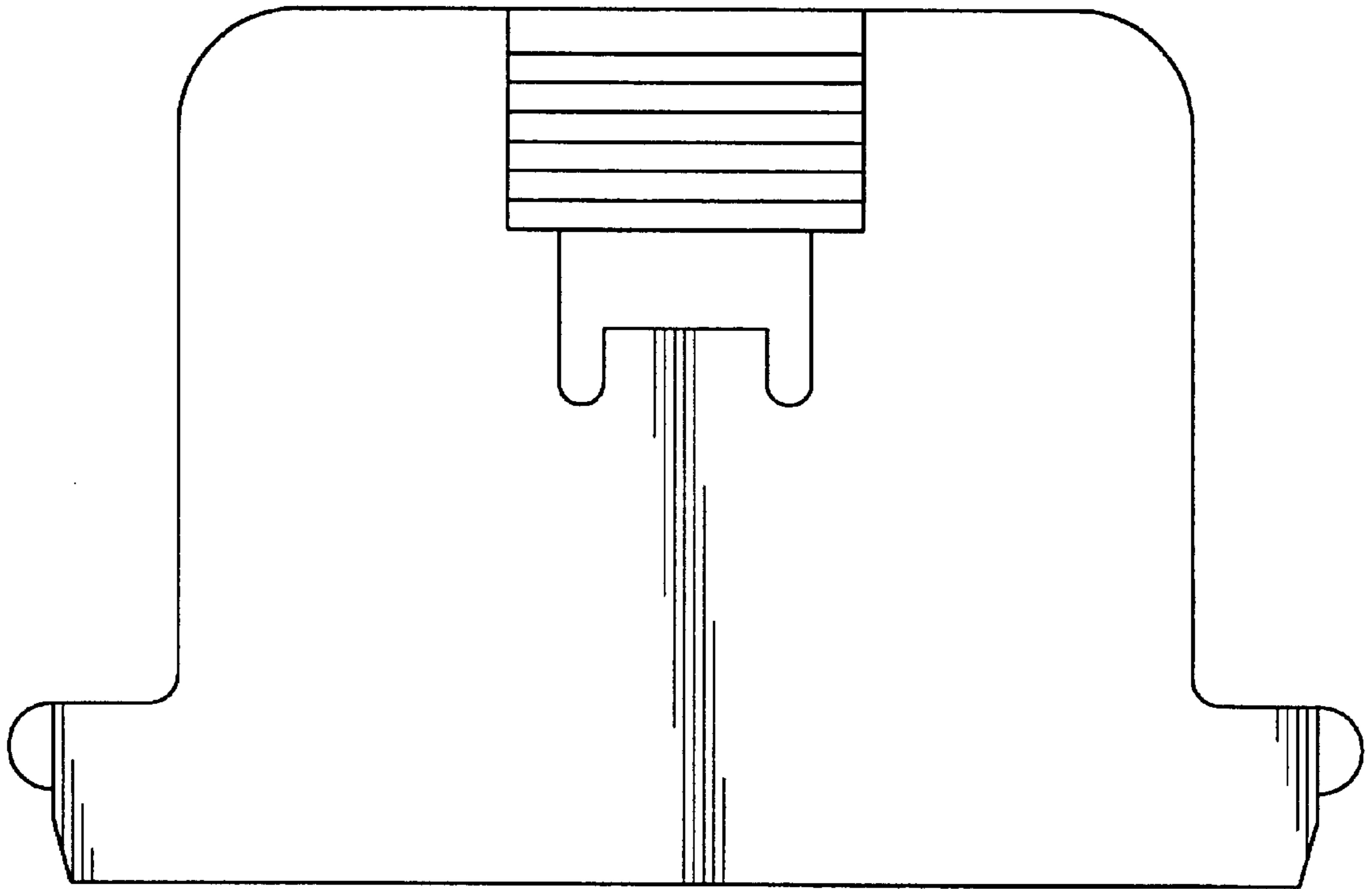


FIG. 6

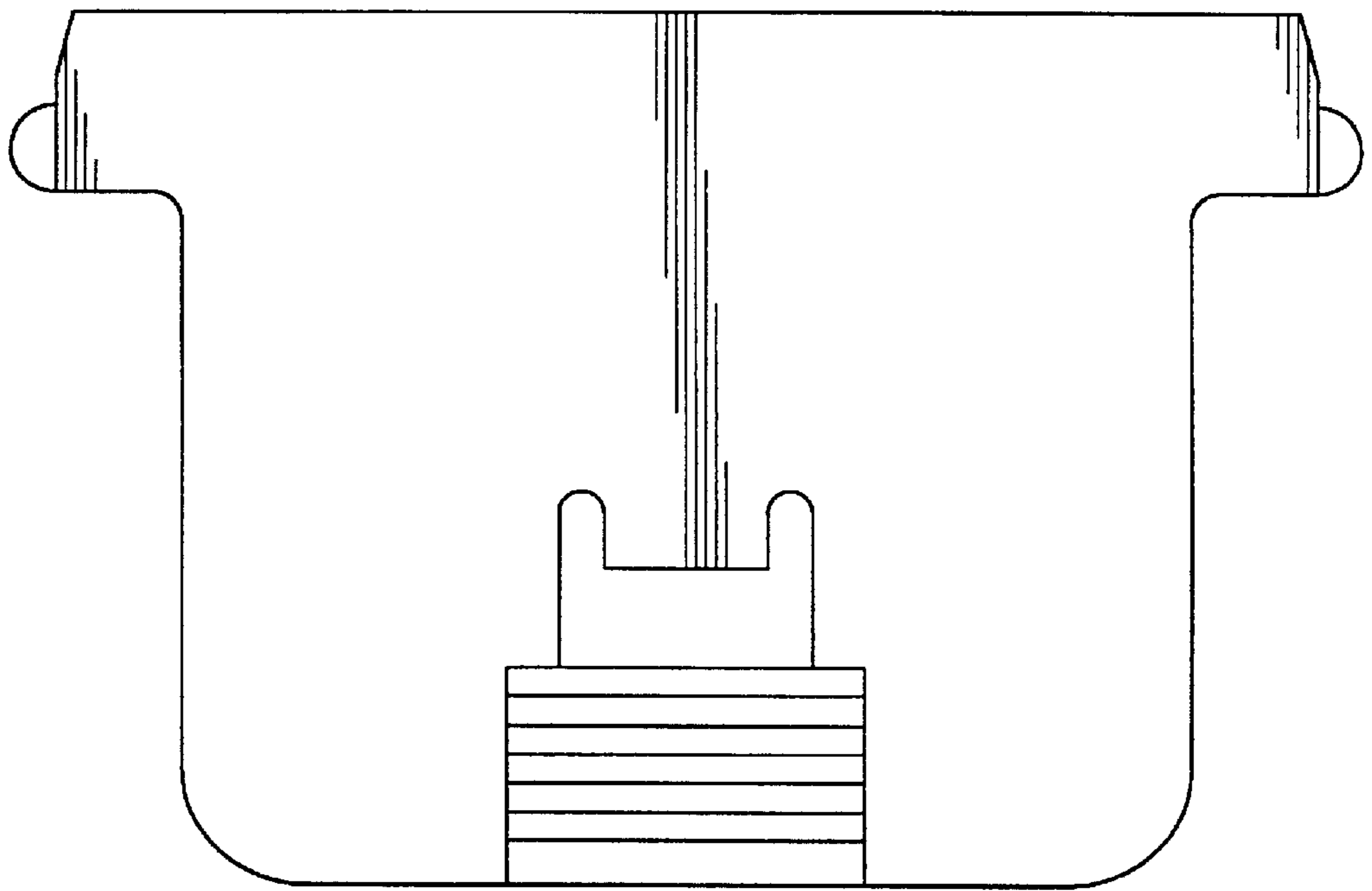


FIG. 7