



US00D448003B1

(12) **United States Design Patent**  
**Ogasawara**

(10) **Patent No.:** **US D448,003 S**

(45) **Date of Patent:** **\*\* Sep. 18, 2001**

(54) **RECHARGEABLE BATTERY**

D. 431,808 10/2000 Ogasawara .

6,191,941 \* 2/2001 Ito et al. .... 361/683

(75) Inventor: **Shinichi Ogasawara**, Tokyo (JP)

**OTHER PUBLICATIONS**

(73) Assignee: **Sony Corporation**, Tokyo (JP)

Catalog "Vaio", 3 sheets, Sony Corporation, May 1999.

(\*\*) Term: **14 Years**

\* cited by examiner

(21) Appl. No.: **29/135,268**

*Primary Examiner*—Joel Sincavage

(22) Filed: **Jan. 10, 2001**

(74) *Attorney, Agent, or Firm*—Rader, Fishman & Grauer, PLLC

(51) **LOC (7) Cl.** ..... **13-02**

(57) **CLAIM**

(52) **U.S. Cl.** ..... **D13/103**

The ornamental design for a rechargeable battery, as shown and described.

(58) **Field of Search** ..... D13/103, 119;  
429/96-100, 159, 163, 176

**DESCRIPTION**

(56) **References Cited**

**U.S. PATENT DOCUMENTS**

D. 329,634	*	9/1992	Mizusugi et al. ....	D13/103
D. 349,484	*	8/1994	Kuzumoto et al. ....	D13/103
D. 405,755	*	2/1999	Arai et al. ....	D13/103
D. 406,561		3/2000	Goto .	
D. 413,300	*	8/1999	Igarashi .....	D13/103
D. 415,466	*	10/1999	Kawa .....	D13/103
D. 421,244		2/2000	Goto .	
D. 425,015	*	5/2000	Iwamoto .....	D13/103
D. 431,227		9/2000	Ogasawara .	

FIG. 1 is a perspective view of a rechargeable battery showing my new design;

FIG. 2 is a front elevational view thereof;

FIG. 3 is a rear elevational view thereof;

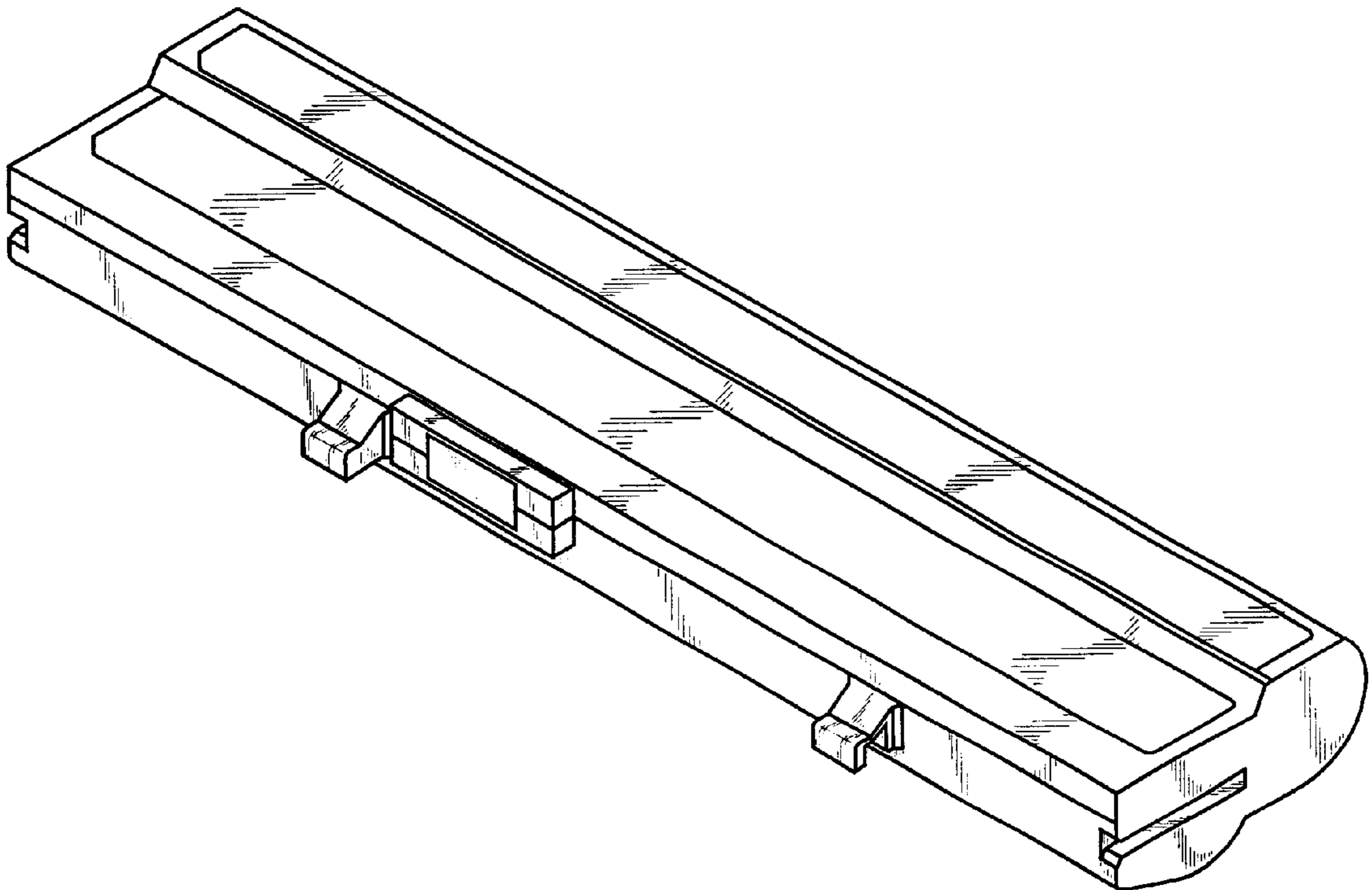
FIG. 4 is a left side elevational view thereof;

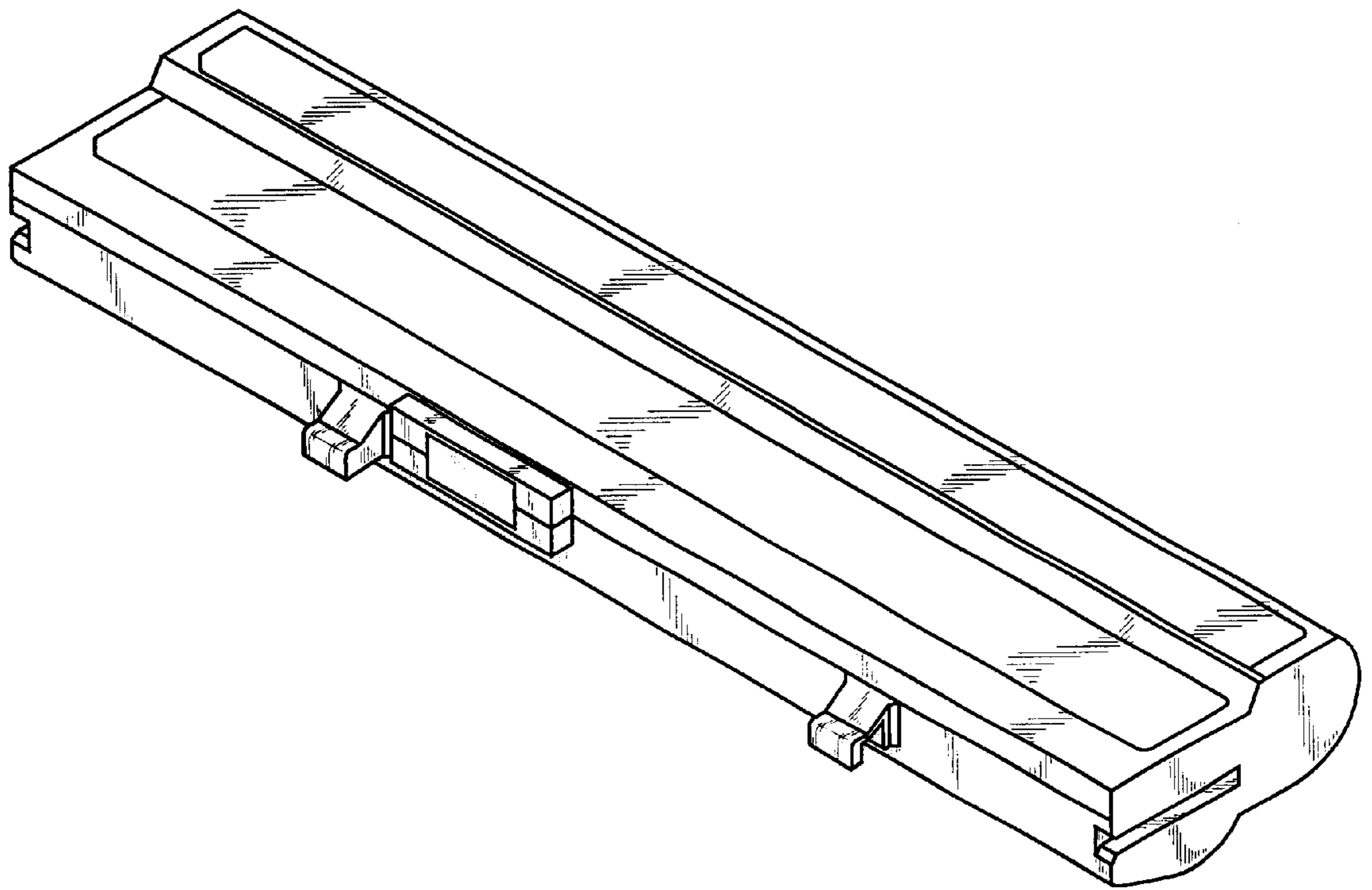
FIG. 5 is a right side elevational view thereof;

FIG. 6 is a top plan view thereof; and,

FIG. 7 is a bottom plan view thereof.

**1 Claim, 4 Drawing Sheets**





**Fig. 1**

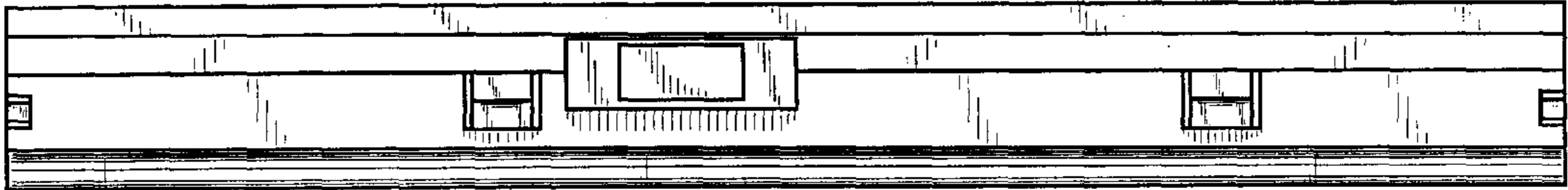


Fig. 2

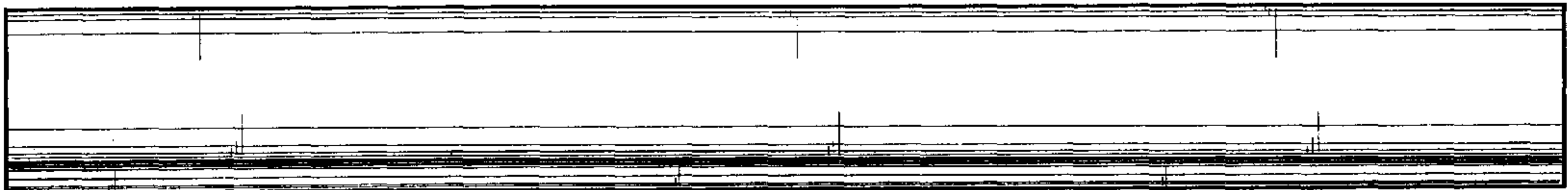
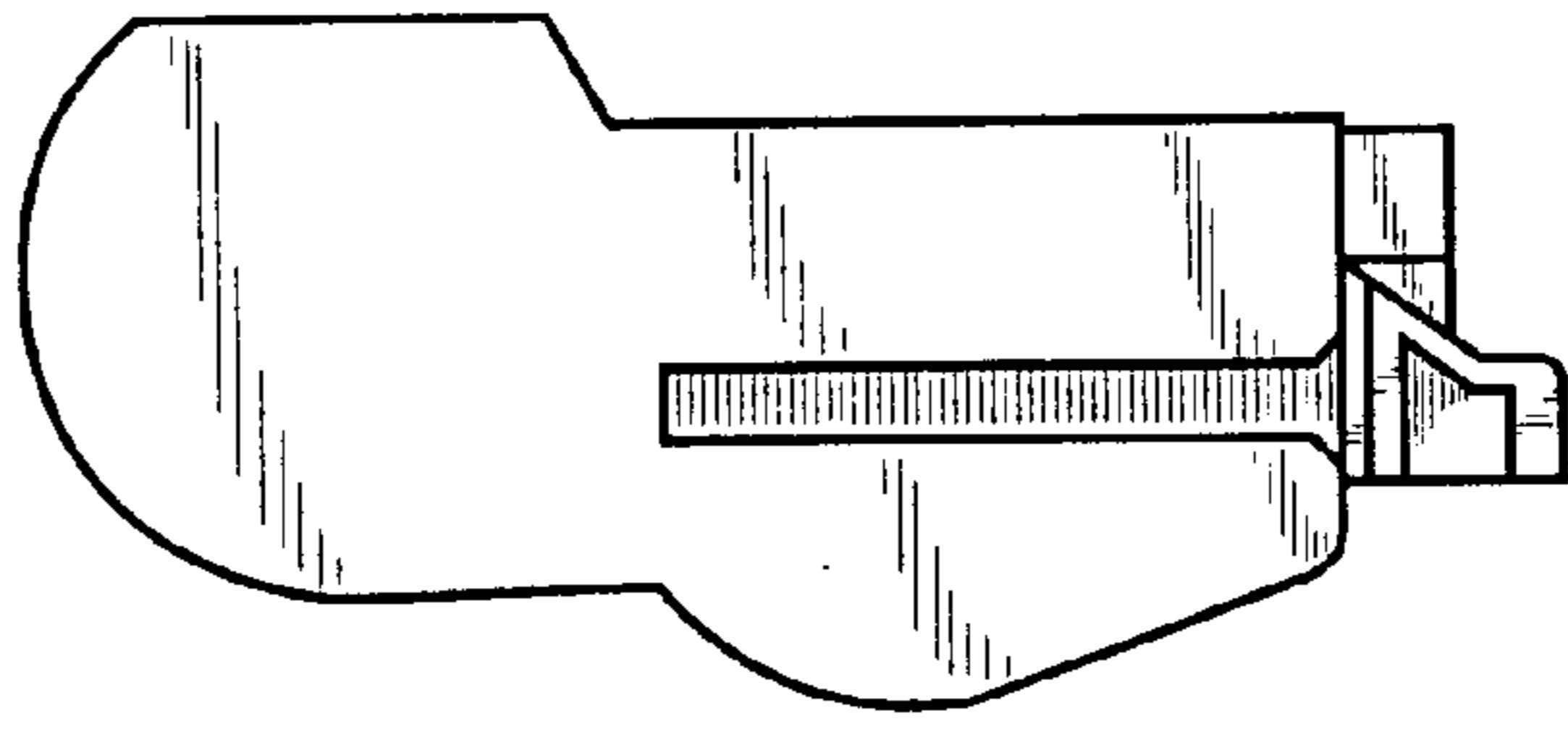
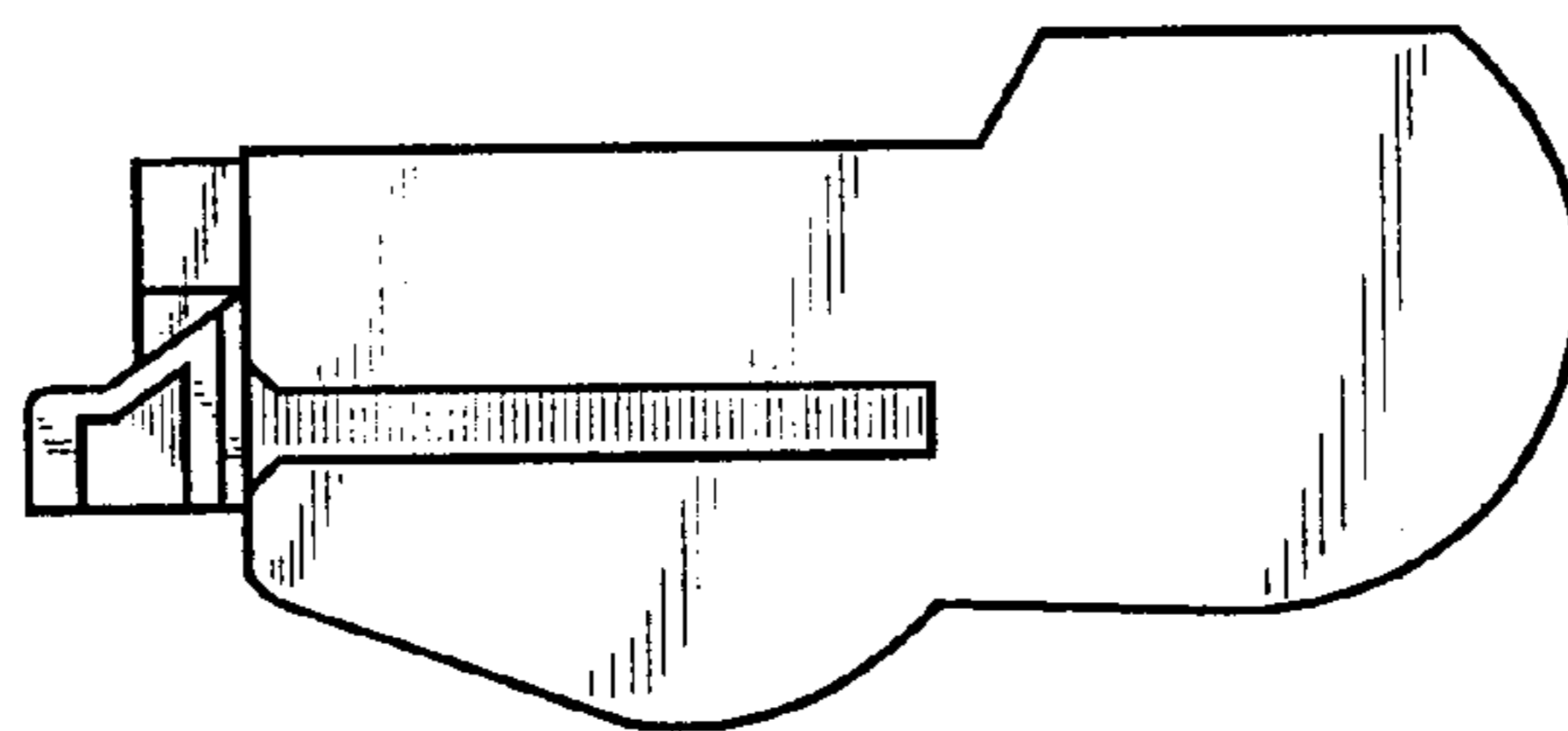


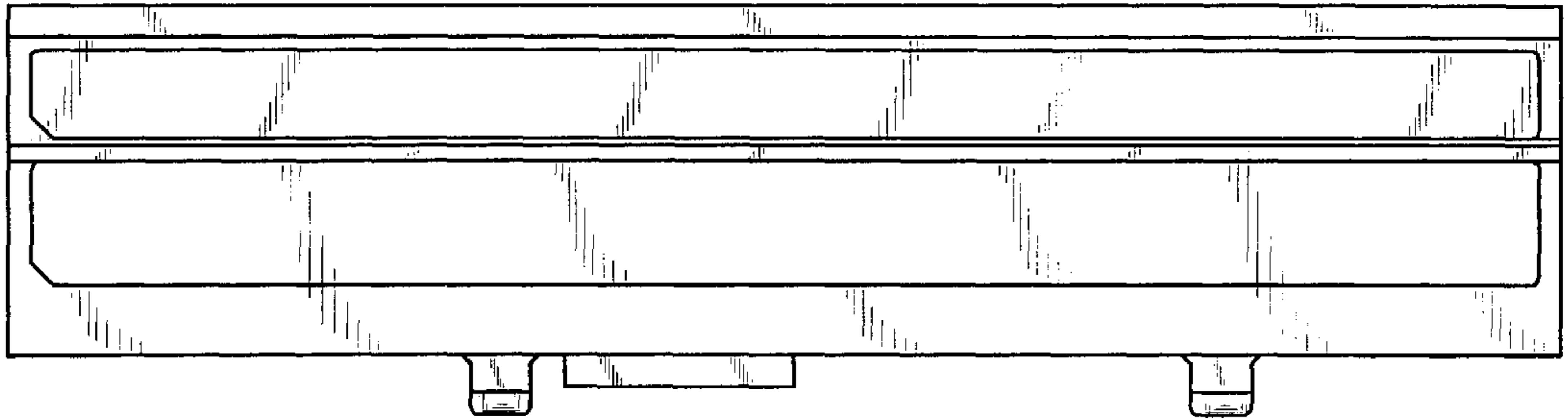
Fig. 3



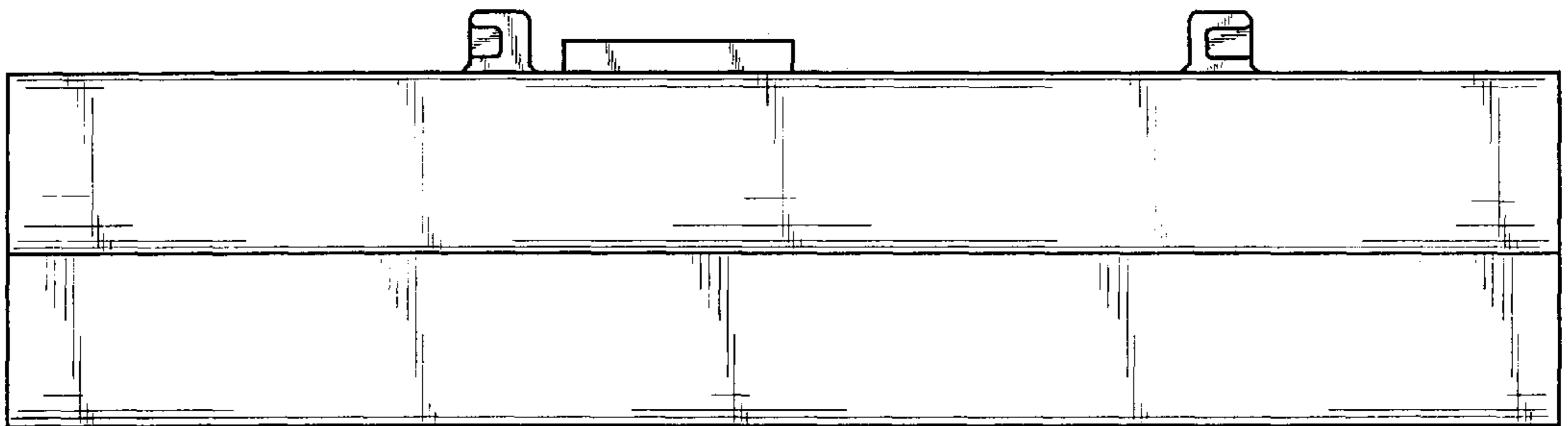
**Fig. 4**



**Fig. 5**



**Fig. 6**



**Fig. 7**