



US00D448001B1

(12) **United States Design Patent**
Pfeiffer et al.

(10) **Patent No.:** **US D448,001 S**

(45) **Date of Patent:** **** Sep. 18, 2001**

(54) **CONSOLE FOR A VEHICLE**

(75) Inventors: **Peter Pfeiffer**, Boeblingen; **Gerhard Honer**, Weil der Stadt; **Oliver Stick**, Aidlingen, all of (DE)

(73) Assignee: **DaimlerChrysler AG**, Stuttgart (DE)

(**) Term: **14 Years**

(21) Appl. No.: **29/134,879**

(22) Filed: **Jan. 3, 2001**

(30) **Foreign Application Priority Data**

Jul. 3, 2000 (DE) 400 06 091

(51) **LOC (7) Cl.** **12-16**

(52) **U.S. Cl.** **D12/419**

(58) **Field of Search** D12/415, 419, D12/423-426.1; 248/311.1, 311.2; 296/37.1, 37.6-37.8, 37.13-37.16; 224/42.11, 42.24, 42.25, 275-277, 400; D7/553.3, 553.5, 619-620, 701, 708, 605; 108/43-46, 132, 147, 157; D3/905

(56) **References Cited**

U.S. PATENT DOCUMENTS

D. 248,294 * 6/1978 McCutchen D12/419
D. 271,442 * 11/1983 Lehner D12/419
D. 352,495 * 11/1994 Mawhinney et al. D12/419
D. 362,837 * 10/1995 Mankey et al. D12/419

D. 363,698 * 10/1995 Smith D12/419
D. 368,889 * 4/1996 Mankey et al. D12/419
D. 373,987 * 9/1996 Diem D12/419
D. 375,480 * 11/1996 Smith D12/419
D. 375,719 * 11/1996 Schlangen et al. D12/419
D. 390,186 * 2/1998 Smith D12/419
D. 396,844 * 8/1998 Smith D12/419
D. 413,563 * 9/1999 Gravenstreter D12/419

* cited by examiner

Primary Examiner—Stacia Cadmus

(74) *Attorney, Agent, or Firm*—Crowell & Moring LLP

(57) **CLAIM**

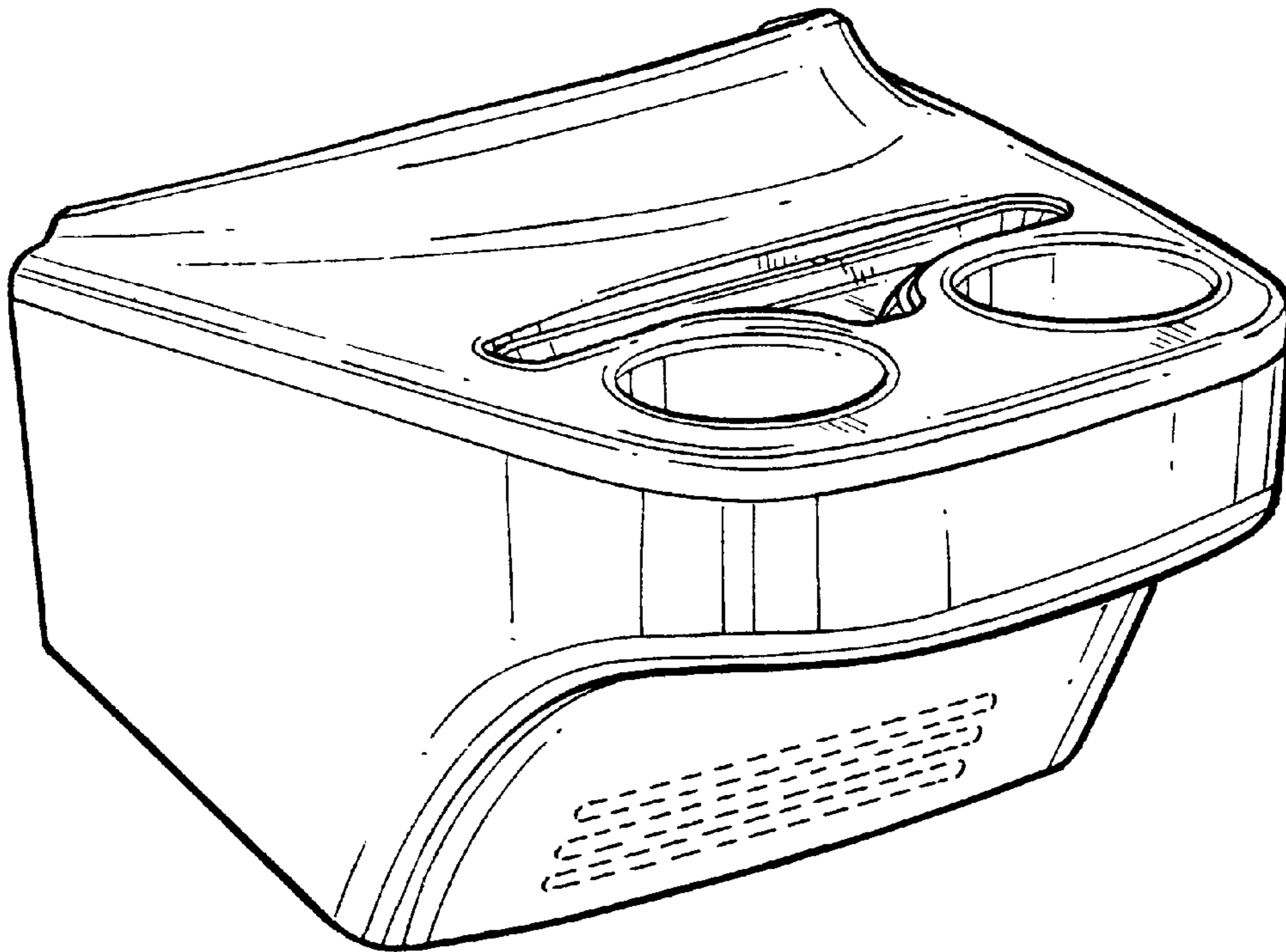
The ornamental design for a console for a vehicle, as shown and described.

DESCRIPTION

FIG. 1 is a left, front perspective view of a console for a vehicle according to our novel design, the right, front perspective view being mirror symmetrical;
FIG. 2 is a front view of the console for a vehicle according to our novel design;
FIG. 3 is a top view of the console for a vehicle according to our novel design; and,
FIG. 4 is a left side view of the console for a vehicle according to our novel design, the right side view being mirror symmetrical.

The dash lines included depict environment and are not part of the claimed design.

1 Claim, 2 Drawing Sheets



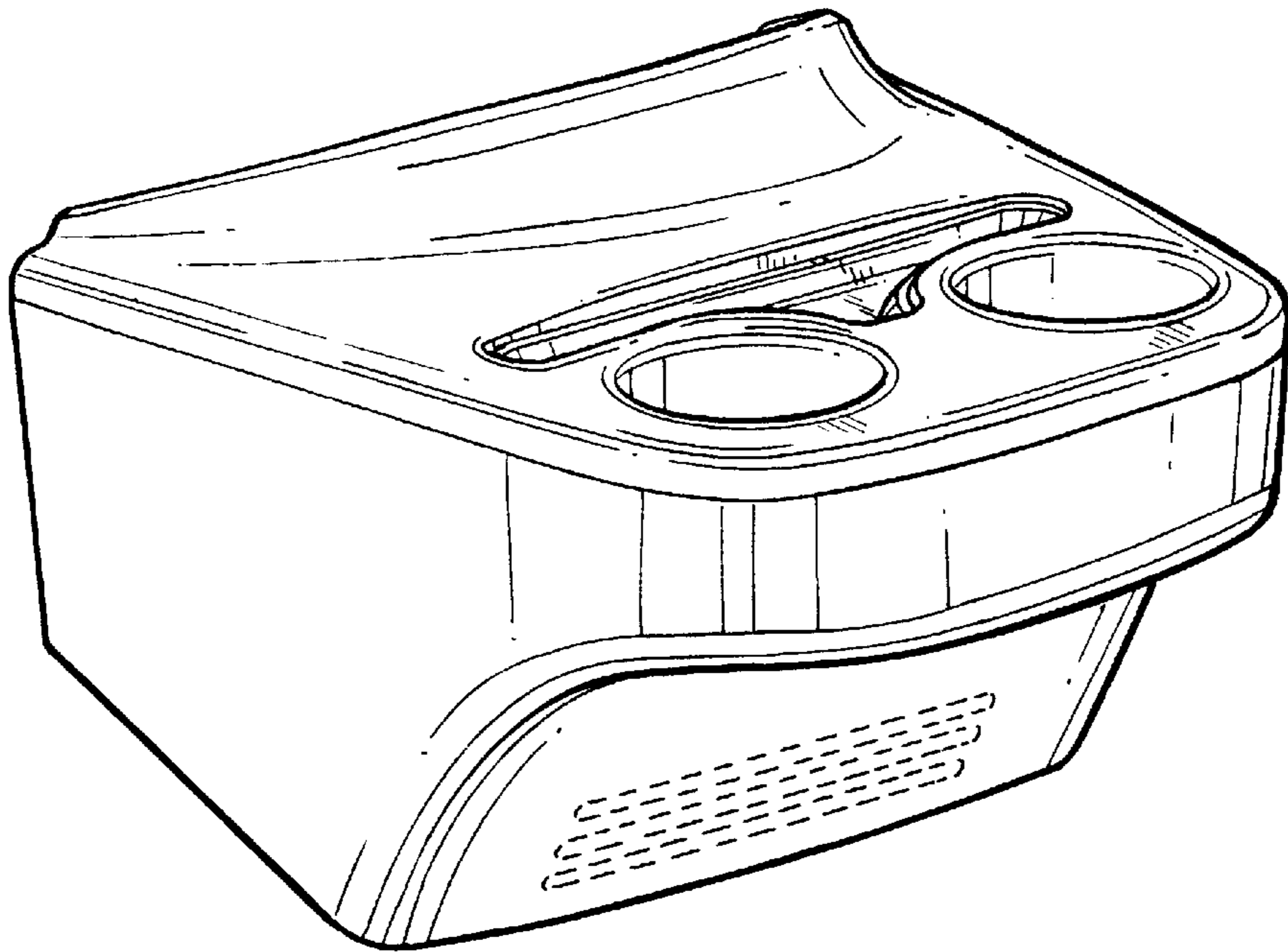


FIG. 1

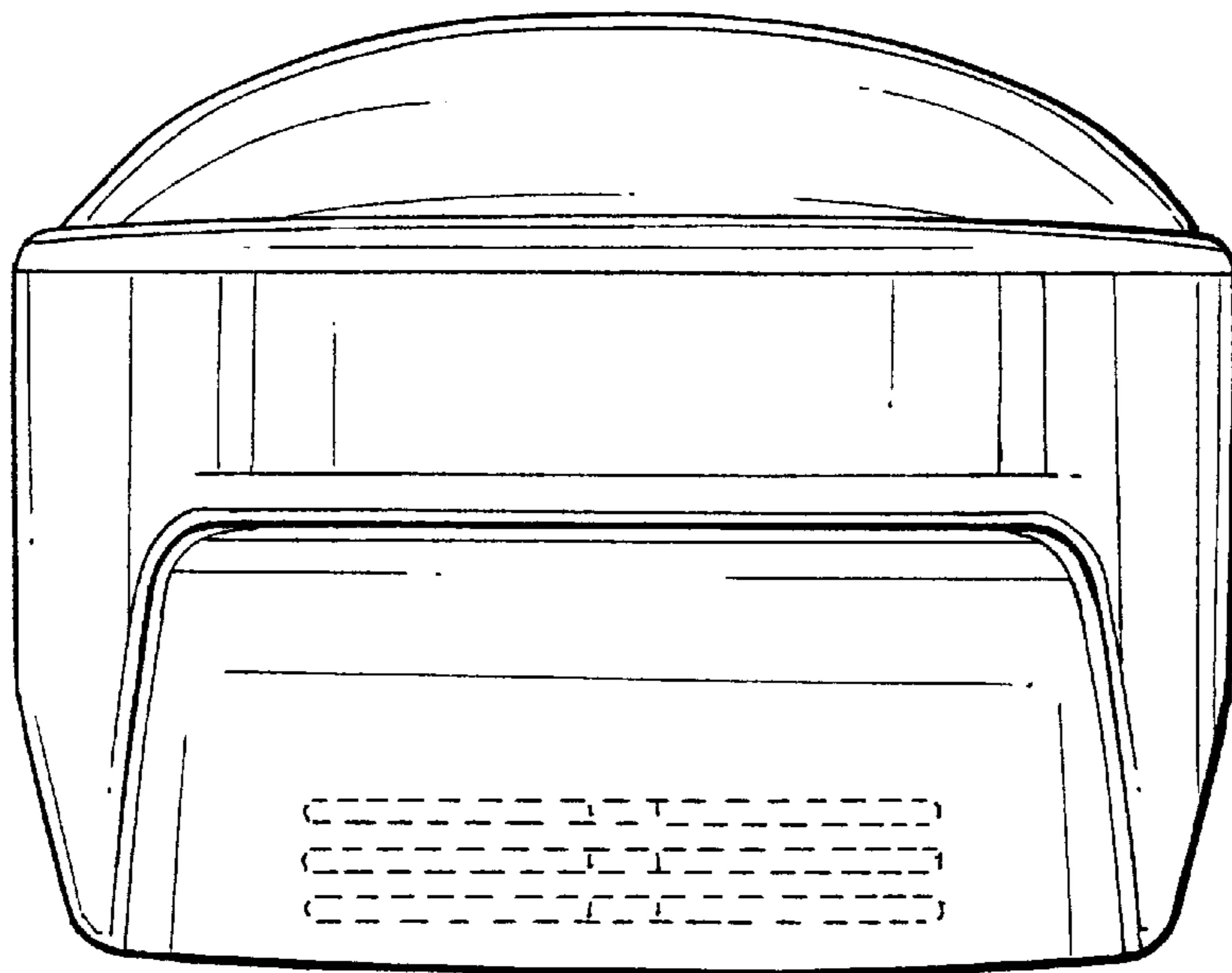


FIG. 2

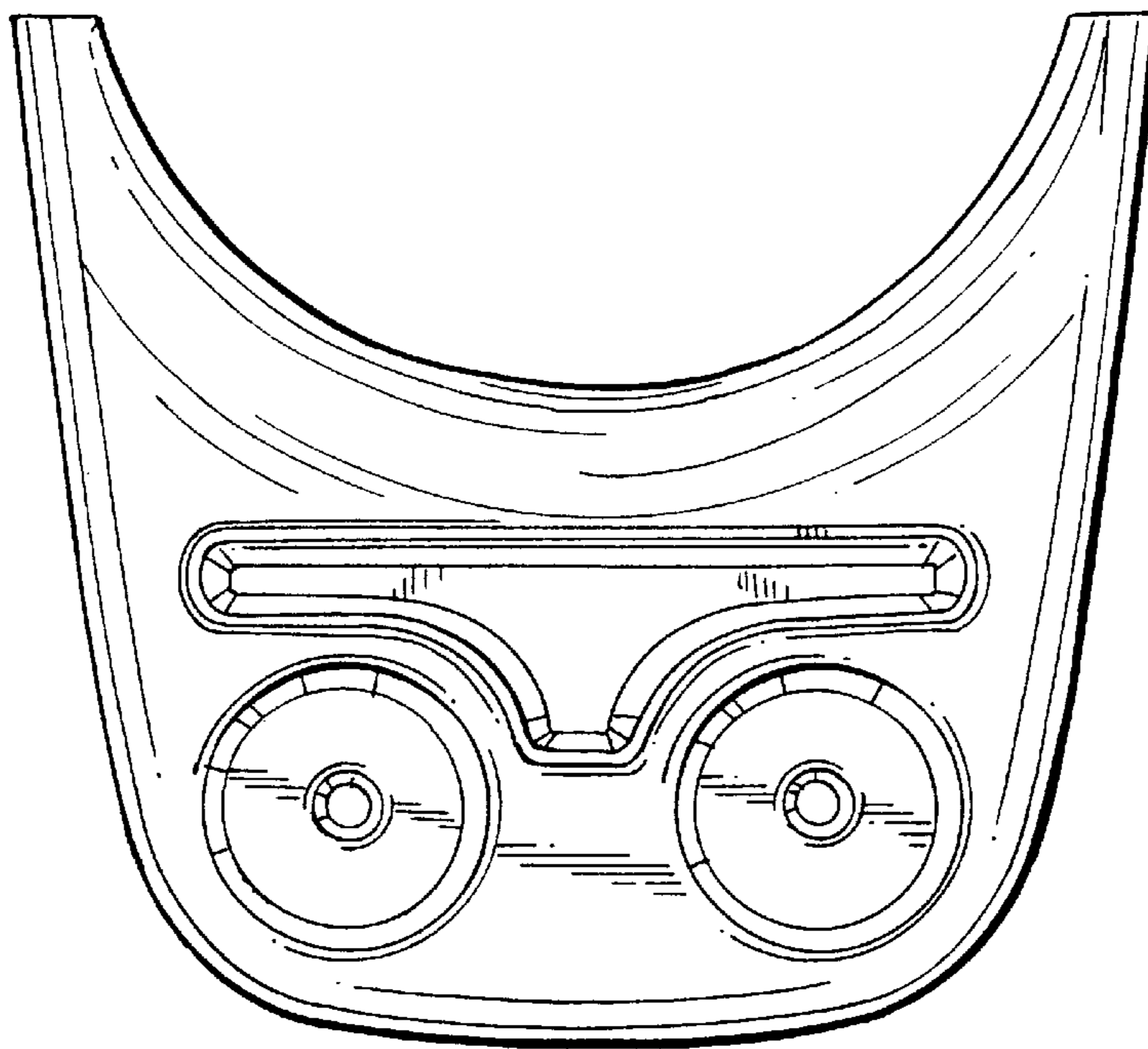


FIG. 3

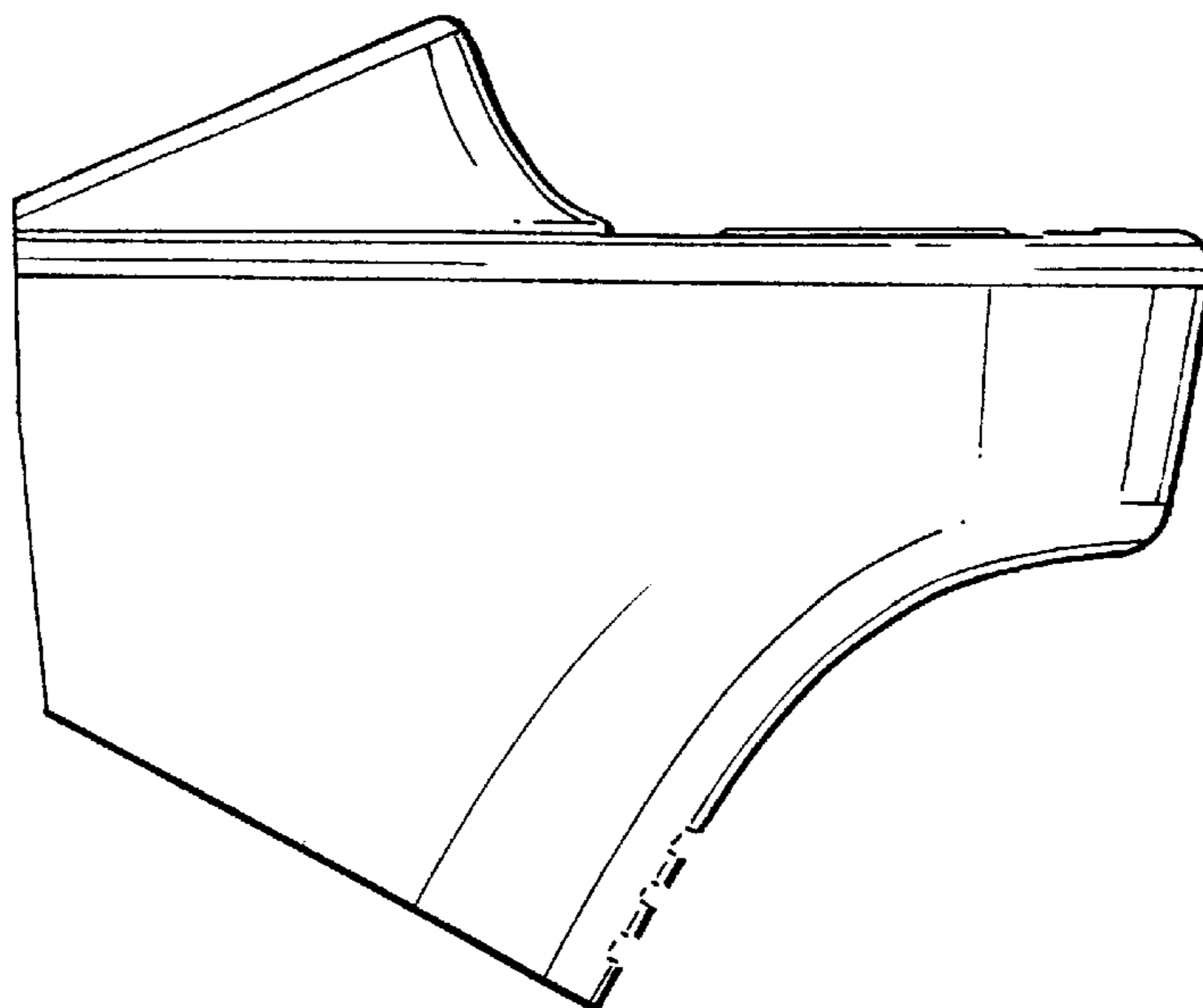


FIG. 4