



US00D447999B1

(12) **United States Design Patent**
Thomson

(10) **Patent No.:** **US D447,999 S**

(45) **Date of Patent:** **** Sep. 18, 2001**

(54) **VEHICLE SEAT STORAGE ATTACHMENT**

(76) Inventor: **Eleanor Thomson**, 16 Winterhoek Rd,
Durbanville Hills Capetown (ZA), 7550

(**) Term: **14 Years**

(21) Appl. No.: **29/136,910**

(22) Filed: **Feb. 9, 2001**

(51) **LOC (7) Cl.** **12-16**

(52) **U.S. Cl.** **D12/416; D2/684**

(58) **Field of Search** D12/415, 416,
D12/422, 424, 425; D6/611, 513-514, 553,
556, 559; D2/861, 864; 296/37.15, 37.16;
297/191, 188.18, 163, 188.01, 188.02, 188.04-188.07,
188.2; 224/42.11, 42.46, 275-277, 539

(56) **References Cited**

U.S. PATENT DOCUMENTS

D. 133,954	*	9/1942	Siegle	D2/864
D. 190,159	*	4/1961	Goldstein	D2/864
D. 258,020		1/1981	Bryce	.	
D. 275,812	*	10/1984	Deacon	D2/864
D. 292,347	*	10/1987	Scott-Smith	D12/416
D. 312,349	*	11/1990	Pogue	D12/416
D. 324,953	*	3/1992	Swanner	D12/416
D. 344,625	*	3/1994	Berry	D12/416
D. 364,726	*	12/1995	Kosc	D2/864
D. 379,452	*	5/1997	Russell	D12/416
D. 389,115	*	1/1998	Alves	D12/416
D. 396,983	*	8/1998	Taylor	D12/416 X
D. 417,062	*	11/1999	Williams	D2/864
D. 419,520	*	1/2000	Bergh	D12/416
D. 430,534	*	9/2000	Golenz	D12/416

2,767,895	10/1956	Smith .
2,979,098	4/1961	Greaves .
3,014,759	12/1961	Bing .
4,466,659	8/1984	Carpentier et al. .
5,107,545	4/1992	Potter .

* cited by examiner

Primary Examiner—Stacia Cadmus

(57) **CLAIM**

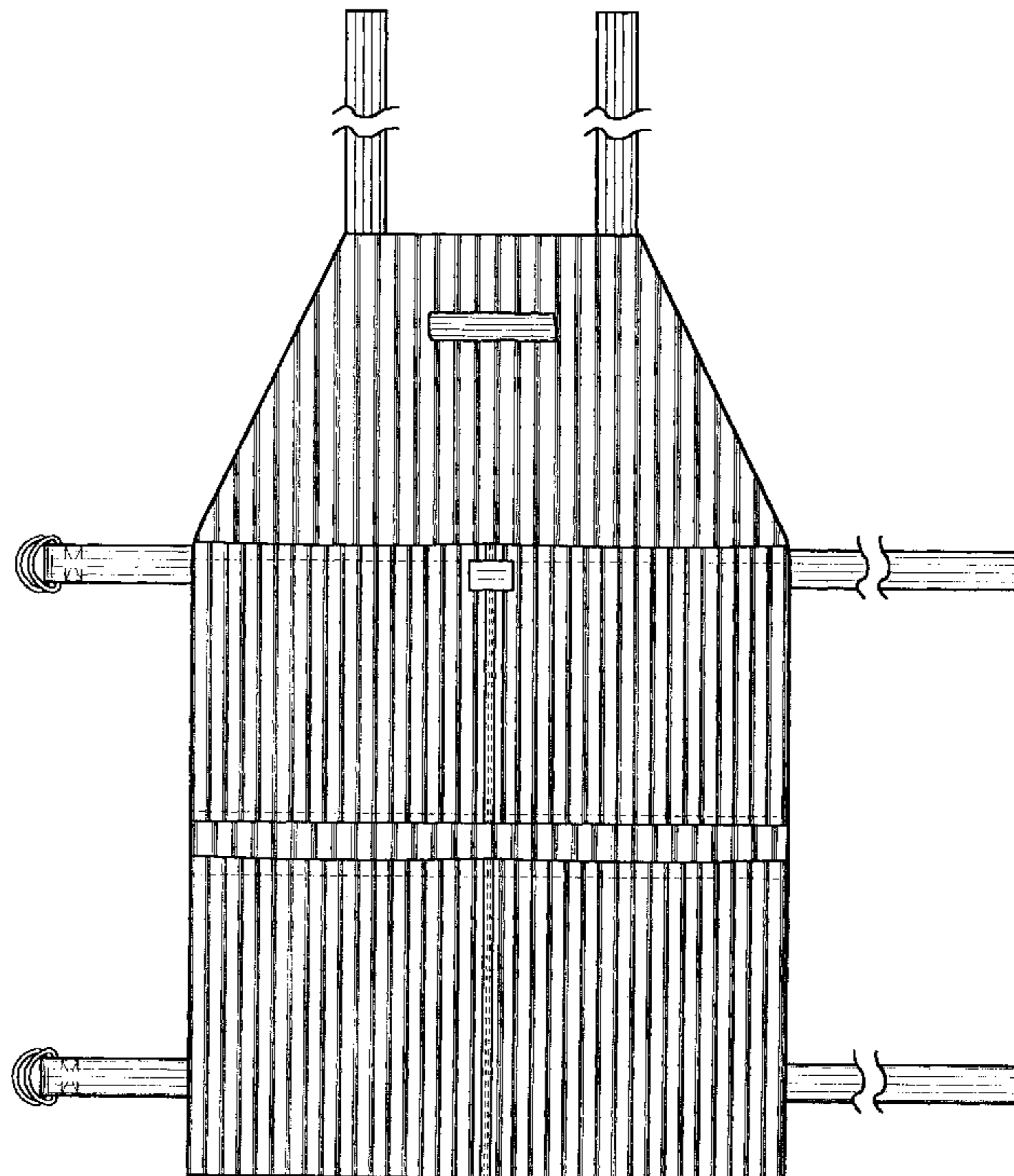
The ornamental design for a vehicle seat storage attachment, as shown and described.

DESCRIPTION

FIG. 1 is a front elevational view of the vehicle seat storage attachment of the present invention;
 FIG. 2 is a rear elevational view of the vehicle seat storage attachment of FIG. 1;
 FIG. 3 is a left side elevational view of the vehicle seat storage attachment of FIG. 1;
 FIG. 4 is a right side elevational view of the vehicle seat storage attachment of FIG. 1;
 FIG. 5 is a top plan view of the vehicle seat storage attachment of FIG. 1;
 FIG. 6 is a bottom plan view of the vehicle seat storage attachment of FIG. 1; and,
 FIG. 7 is a cross-sectional view of FIG. 3 taken along ling 7-7.

The straps are shown broken away to indicate indeterminate length. The pattern partially shown in FIG. 2 is understood to be repeated throughout the back panel portion of the vehicle seat storage attachment.

1 Claim, 4 Drawing Sheets



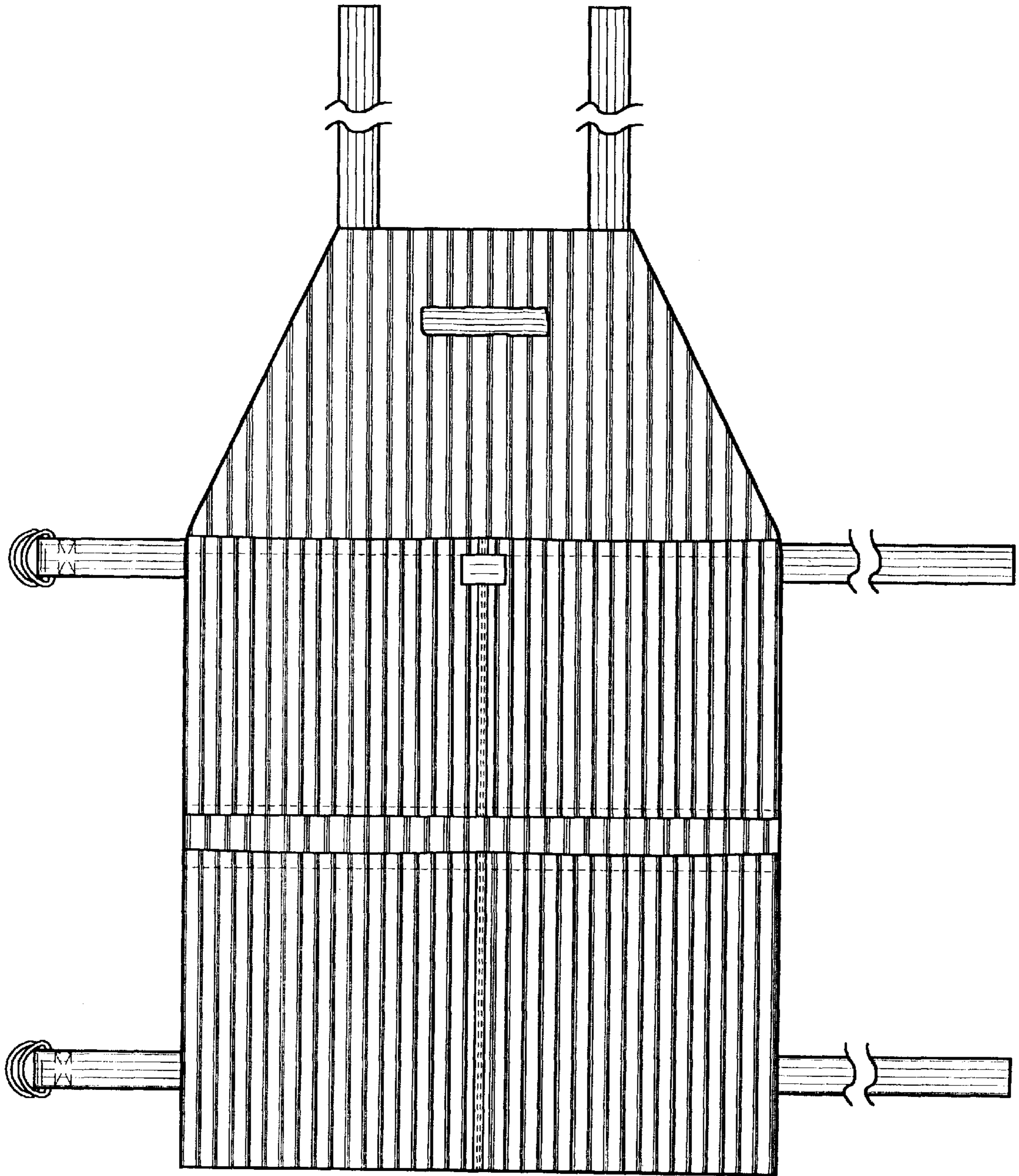


FIG. 1

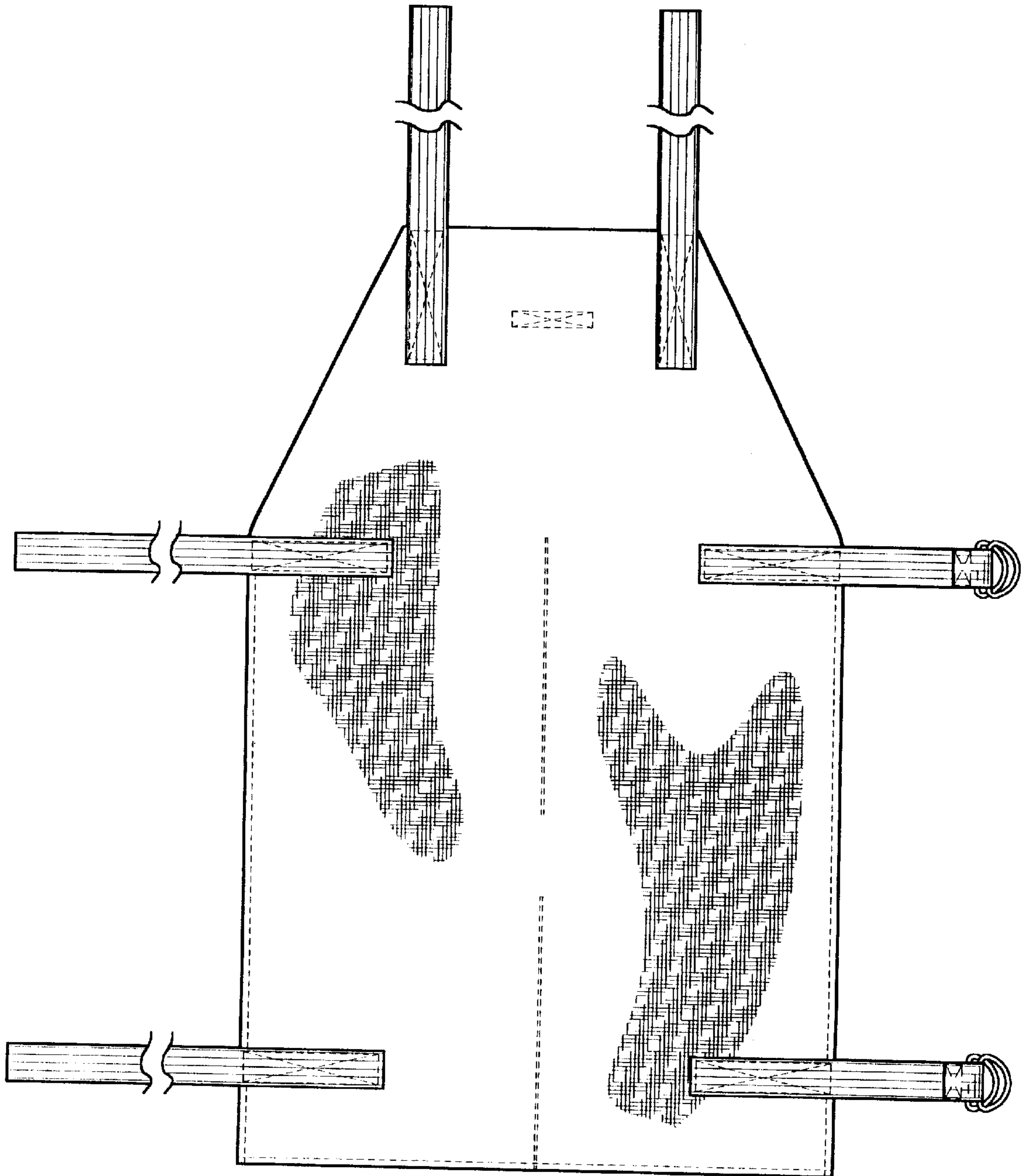
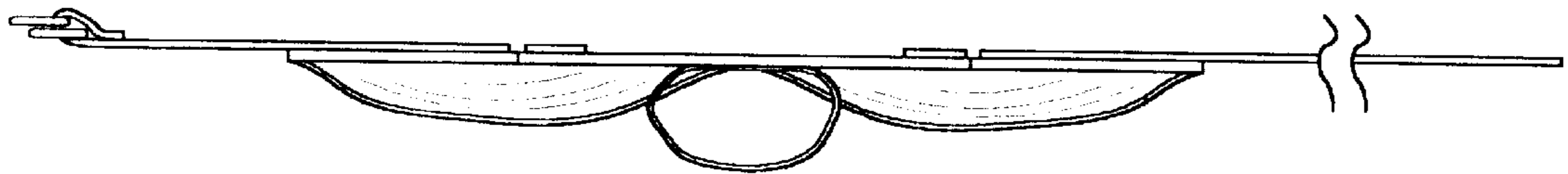
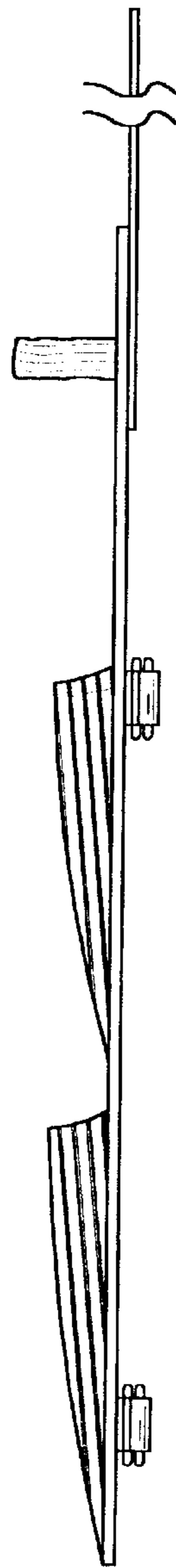
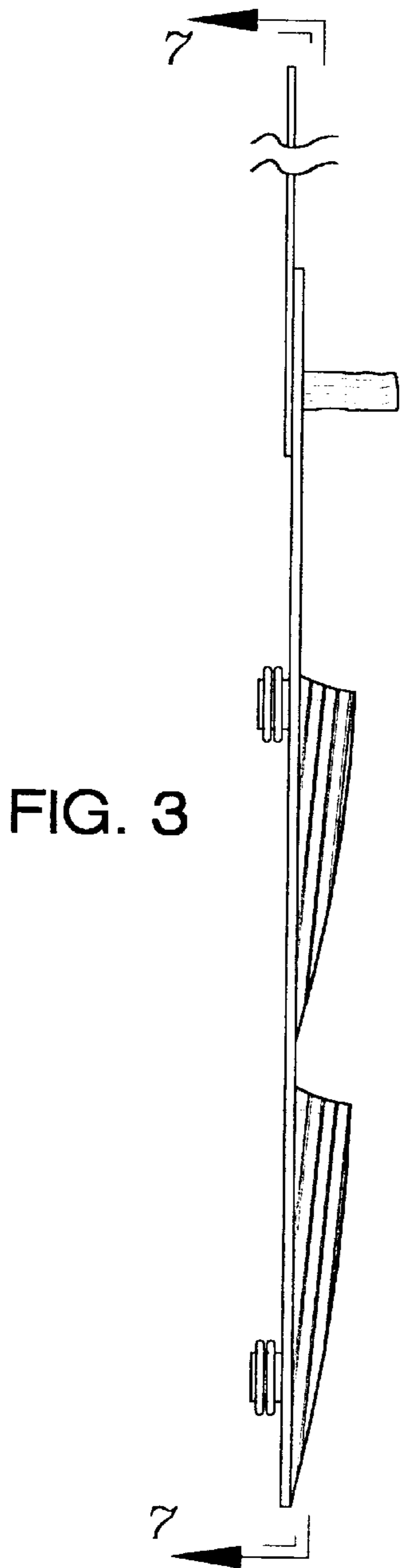


FIG. 2



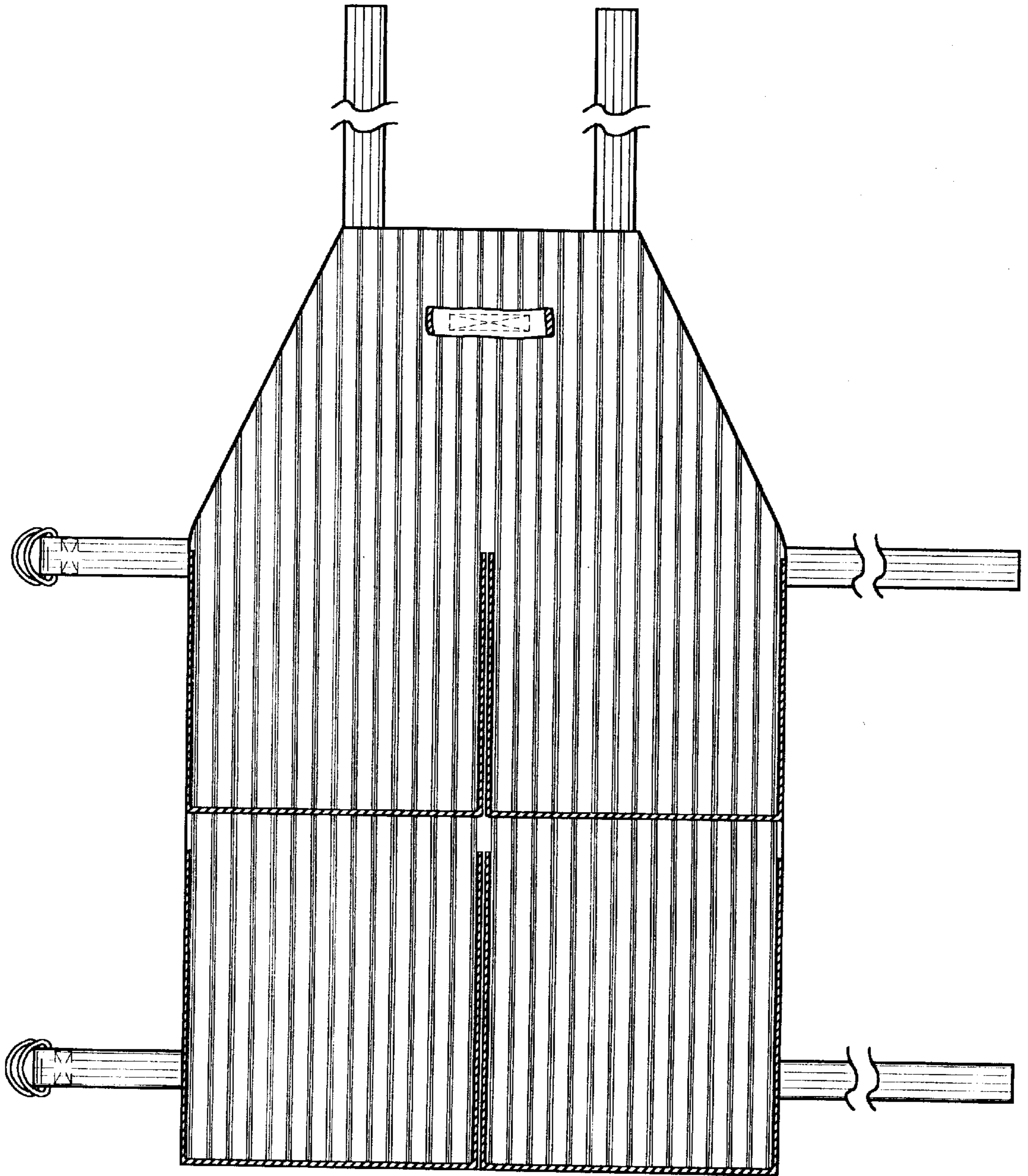


FIG. 7