



US00D447997B1

(12) **United States Design Patent**
Ferman et al.

(10) **Patent No.:** **US D447,997 S**

(45) **Date of Patent:** **** Sep. 18, 2001**

(54) **BICYCLE CARRIER**

(75) Inventors: **Magnus Ferman**, Varnamo; **Lars-Olof Johansson**, Grimsås, both of (SE)

(73) Assignee: **Industri AB Thule**, Hillerstorp (SE)

(*) Notice: This patent is subject to a terminal disclaimer.

(**) Term: **14 Years**

(21) Appl. No.: **29/039,678**

(22) Filed: **Jun. 1, 1995**

(30) **Foreign Application Priority Data**

Mar. 31, 1995 (SE) 95-0693

(51) **LOC (7) Cl.** **12-16**

(52) **U.S. Cl.** **D12/408**

(58) **Field of Search** D12/408; 224/329, 224/331, 493, 497, 512, 513, 517, 523, 532, 536, 537, 917.5

(56) **References Cited**

U.S. PATENT DOCUMENTS

D. 292,567 * 11/1987 Douglas D12/408

D. 329,035 * 9/1992 Blackburn et al. D12/408

4,452,385	*	6/1984	Prosen	224/493
4,856,686	*	8/1989	Workentine	224/497
4,997,116	*	3/1991	Grim	224/493
5,096,102	*	3/1992	Tolson	224/513
5,305,936	*	4/1994	Nusbaum	224/493
5,377,885	*	1/1995	Wyers	224/329

OTHER PUBLICATIONS

Performance Bicycle, Midsummer 1995, p. 69 the Rhode Gear vehicle bike carriers C,D,E & F.*

* cited by examiner

Primary Examiner—Melody N. Brown

(74) *Attorney, Agent, or Firm*—Tracy W. Druce

(57) **CLAIM**

The ornamental design for a bicycle carrier, as shown and described.

DESCRIPTION

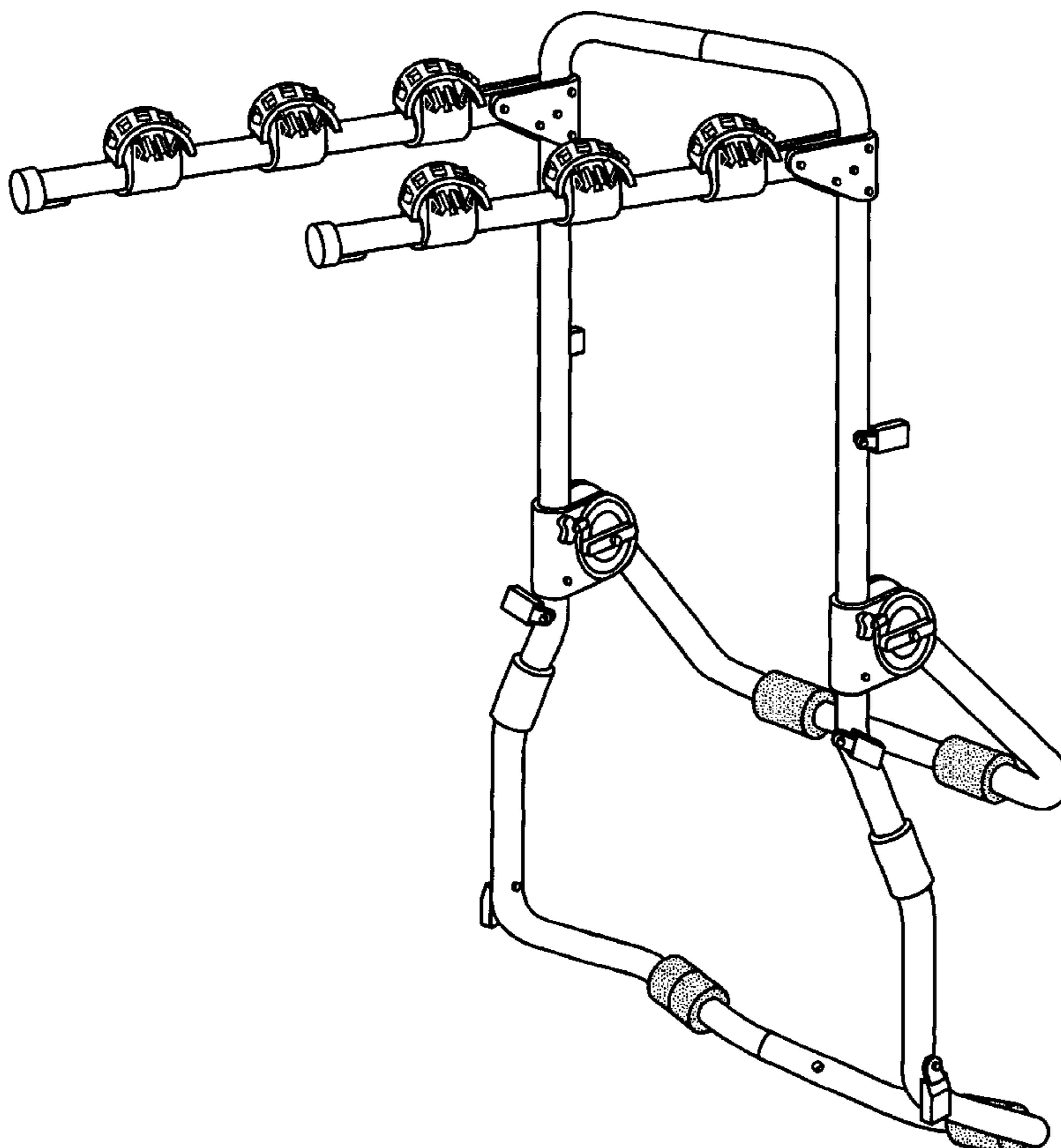
FIG. 1 is a front perspective view of a bike carrier with the support arms in an inoperative position showing our new design;

FIG. 2 is a perspective rear view thereof;

FIG. 3 is a front perspective view thereof, with the support arms in an operative position; and,

FIG. 4 is an inverted rear view of FIG. 3.

1 Claim, 4 Drawing Sheets



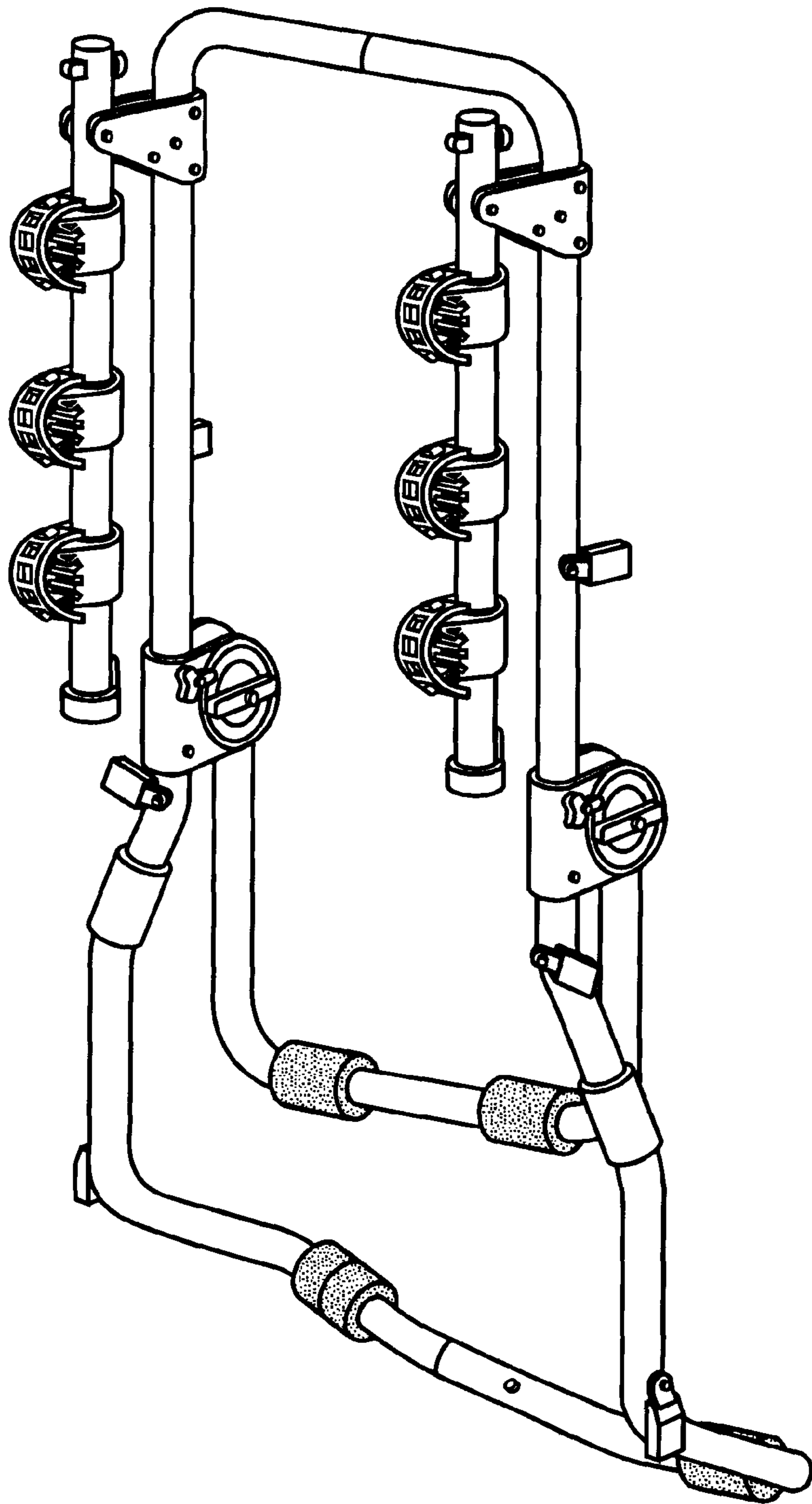


FIG. 1

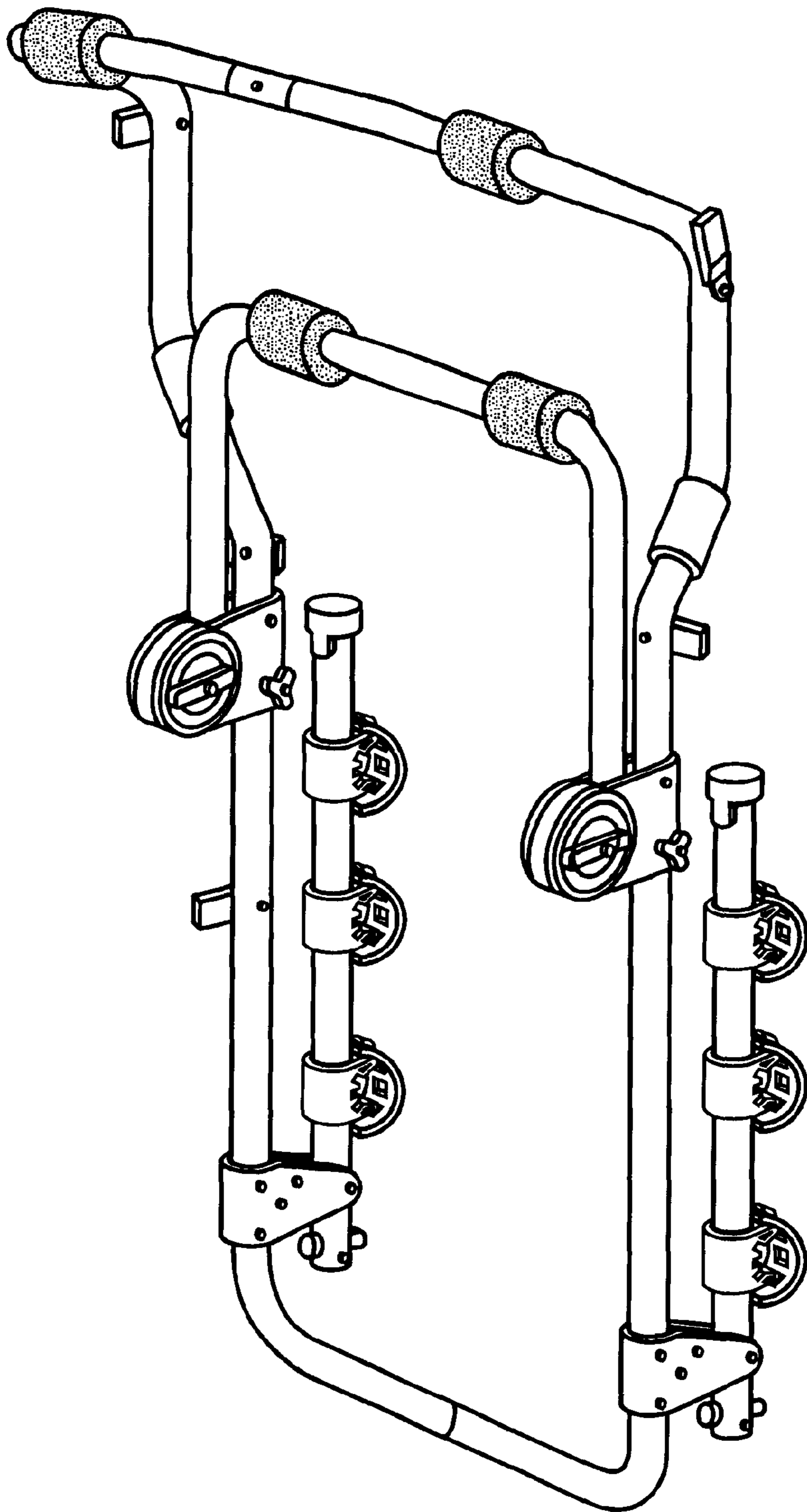


FIG. 2

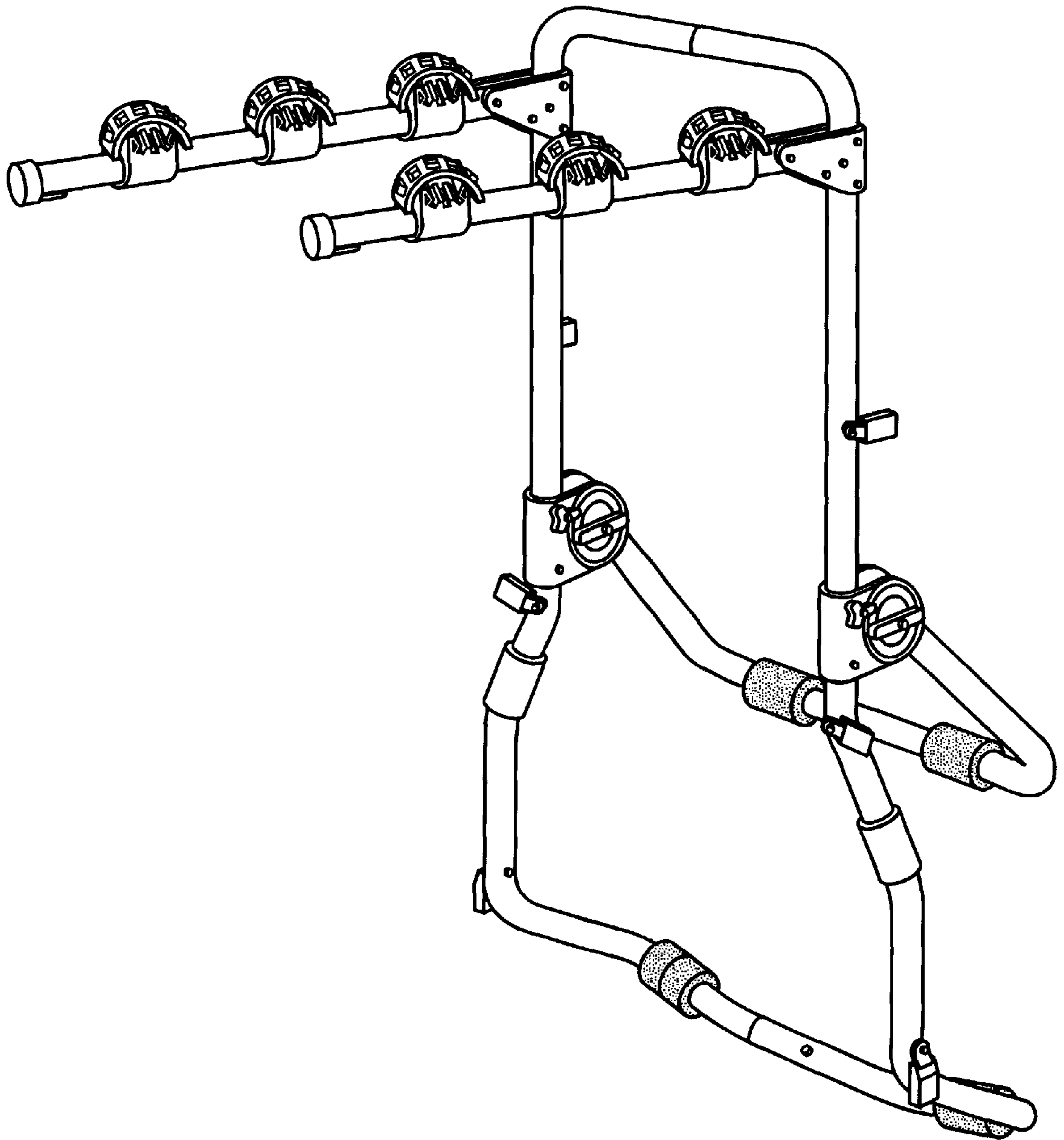


FIG. 3

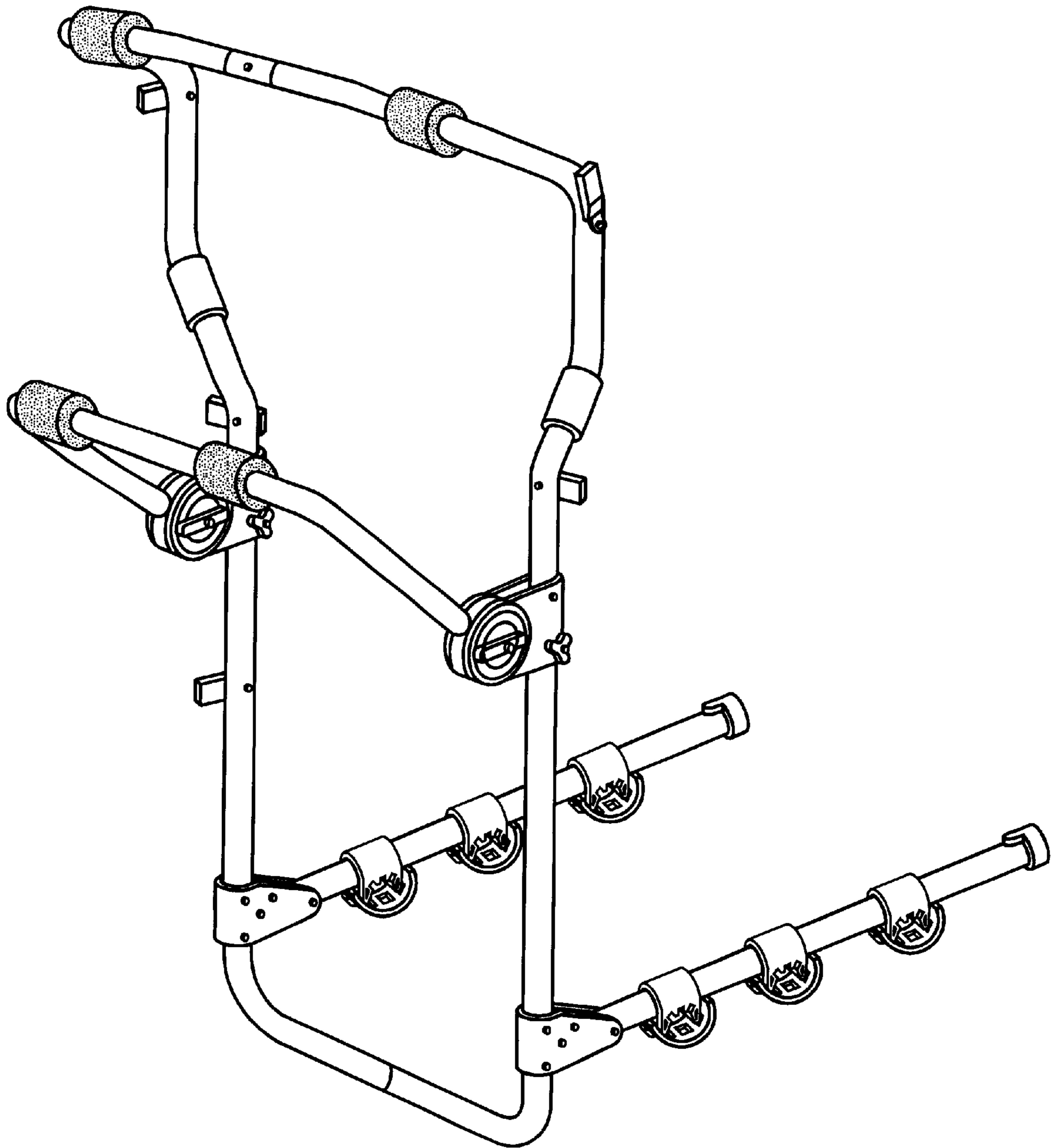


FIG. 4