



US00D447988B1

(12) **United States Design Patent**
Tampi

(10) **Patent No.:** **US D447,988 S**

(45) **Date of Patent:** **** Sep. 18, 2001**

(54) **AUTOMOBILE REAR BUMPER**

(76) **Inventor:** **Ivan Tampi**, 5174 Valley Blvd., Los Angeles, CA (US) 90032

(**) **Term:** **14 Years**

(21) **Appl. No.:** **29/134,952**

(22) **Filed:** **Dec. 26, 2000**

(51) **LOC (7) Cl.** **12-16**

(52) **U.S. Cl.** **D12/169**

(58) **Field of Search** D12/169, 196;
293/102, 113, 117, 120; 296/180.1, 180.2,
185

(56) **References Cited**

U.S. PATENT DOCUMENTS

D. 254,543	3/1980	Margiaria et al. .	
D. 254,907	5/1980	Envall et al. .	
D. 274,140	6/1984	Koch .	
D. 277,470	2/1985	Matti .	
D. 286,525	11/1986	Sasaoka .	
D. 287,958	1/1987	Dayton et al. .	
D. 292,788	11/1987	Koch .	
D. 293,311	12/1987	Strosek .	
D. 300,419	3/1989	Ikeda .	
D. 392,606	3/1998	Kulla et al. .	
D. 419,931	2/2000	Horbury et al. .	
D. 419,937 *	2/2001	Sacco et al.	D12/196

D. 422,544	4/2000	Carlson et al. .	
D. 440,191 *	4/2001	Pfeiffer	D12/169
4,159,843	7/1979	Crossman .	
4,174,863	11/1979	Götz .	

* cited by examiner

Primary Examiner—Melody N. Brown

(74) *Attorney, Agent, or Firm*—Sheldon & Mak; Denton L. Anderson

(57) **CLAIM**

The ornamental design for an automobile rear bumper, as shown and described.

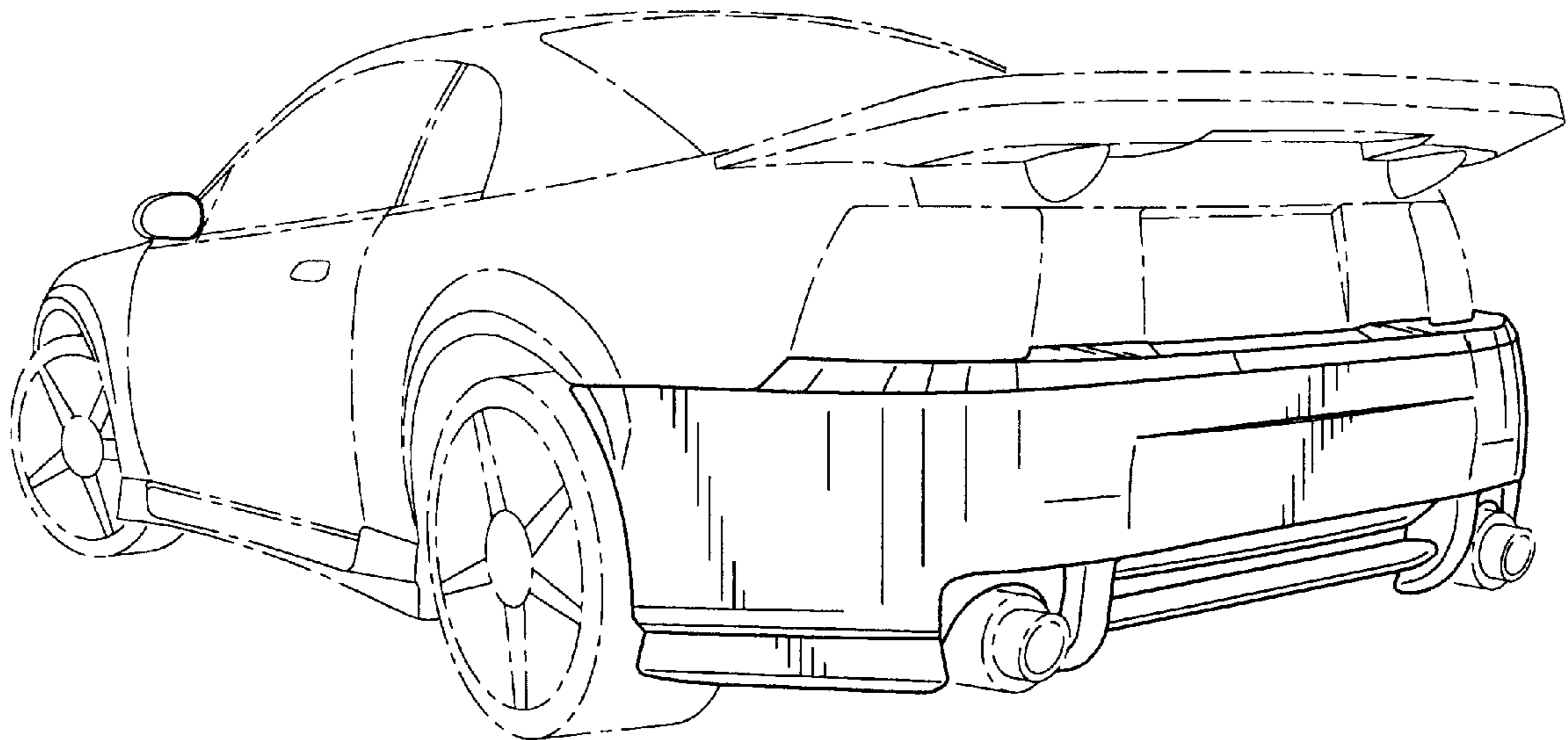
DESCRIPTION

FIG. 1 is a perspective view of the exterior surface of the rear and left sides of the automobile rear bumper of the invention, the right side of the rear bumper being identical to the left side, the interior surface having no ornamentality; FIG. 2 is a rear view of the exterior surface of the rear bumper illustrated in FIG. 1, the interior surface having no ornamentality; and,

FIG. 3 is a side view showing the exterior surface of the right side of the rear bumper illustrated in FIG. 1, the left side of the rear bumper being identical to the right side, the interior surfaces having no ornamentality.

The broken lines shown in all drawing views are for illustrative purposes only and form no part of the claimed design.

1 Claim, 2 Drawing Sheets



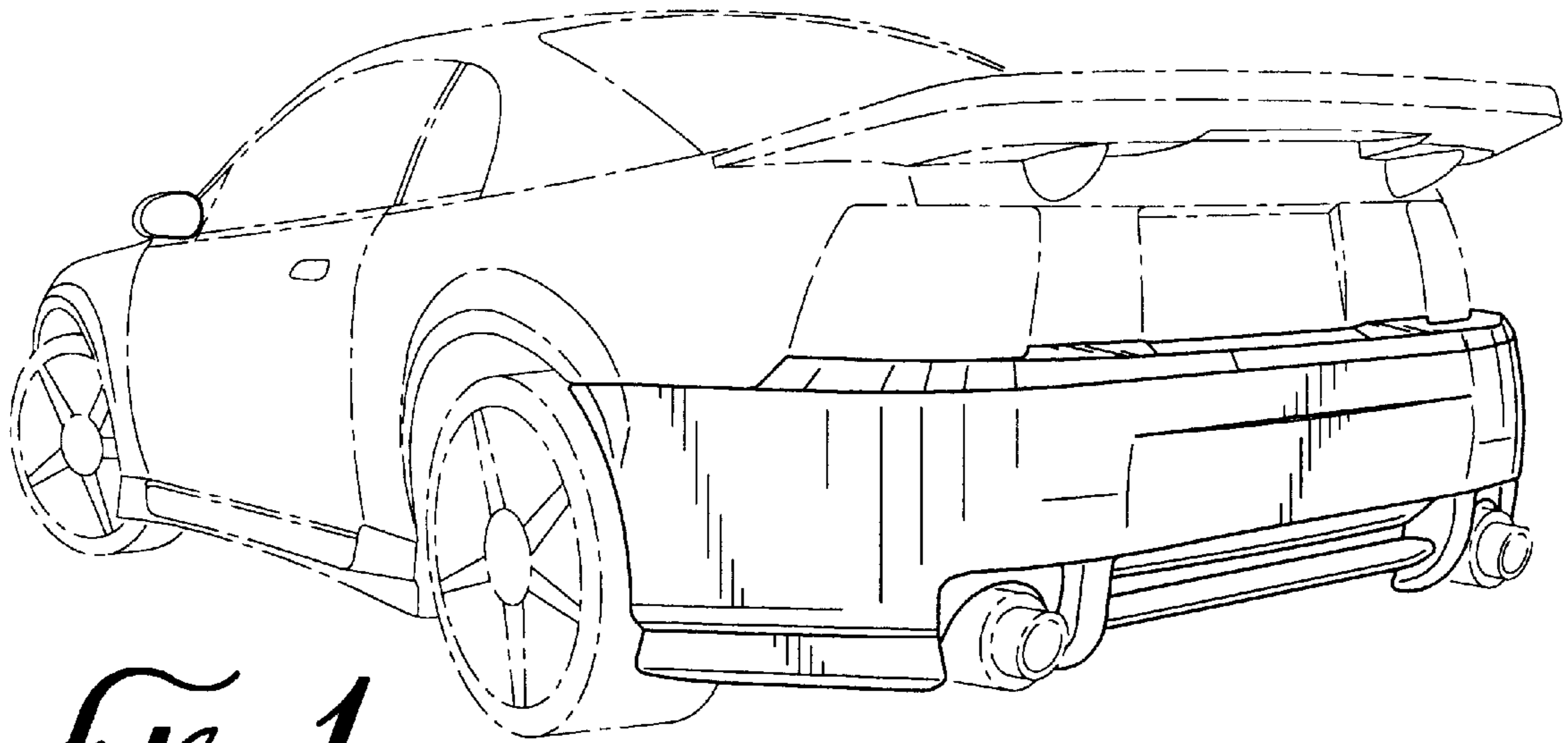


FIG. 1

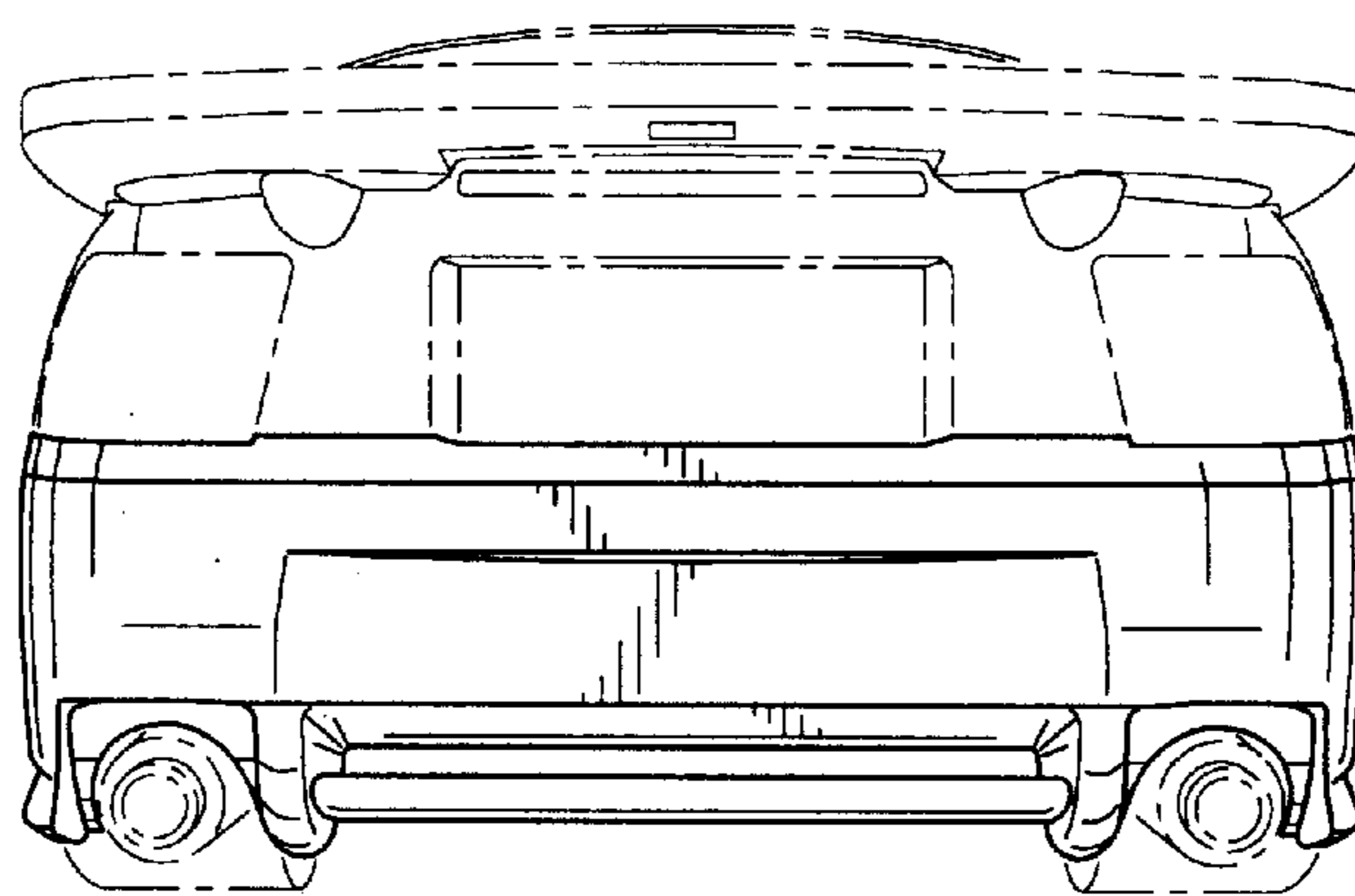


FIG. 2

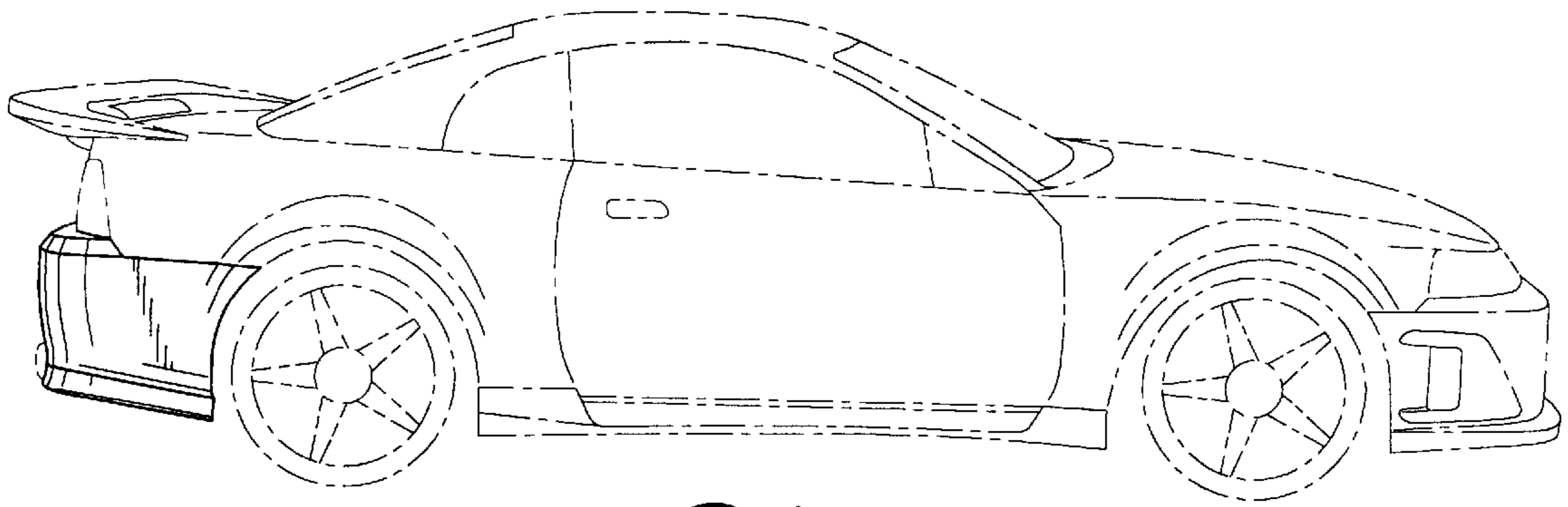


FIG. 3