



US00D447987B1

(12) **United States Design Patent**
Allison

(10) **Patent No.:** **US D447,987 S**

(45) **Date of Patent:** **** *Sep. 18, 2001**

(54) **TIRE TREAD**

(75) Inventor: **William B. Allison**, Cuyahoga Falls,
OH (US)

(73) Assignee: **Bridgestone/Firestone Research, Inc.**,
Akron, OH (US)

(*) Notice: This patent is subject to a terminal dis-
claimer.

(**) Term: **14 Years**

(21) Appl. No.: **29/133,083**

(22) Filed: **Nov. 21, 2000**

Related U.S. Application Data

(62) Division of application No. 29/118,635, filed on Feb. 11,
2000.

(51) **LOC (7) Cl.** **12-15**

(52) **U.S. Cl.** **D12/146**

(58) **Field of Search** D12/134-152;
152/209.1, 209.8, 209.9, 209.11, 209.12,
209.13, 209.28, 900, 901, 902, 903

(56) **References Cited**

U.S. PATENT DOCUMENTS

- D. 261,383 * 10/1981 Amarger D12/147
- D. 277,092 * 1/1985 Nagayasu D12/146
- D. 295,617 * 5/1988 Sedlack D12/147
- D. 302,411 * 7/1989 Goergen et al. D12/146
- D. 311,885 * 11/1990 Himuro et al. D12/146
- D. 319,994 * 9/1991 Manestar et al. D12/147
- D. 328,578 * 8/1992 Cormier et al. D12/146
- D. 337,978 * 8/1993 Himuro et al. D12/147
- D. 340,436 * 10/1993 Baus D12/146

- D. 342,706 * 12/1993 Wise D12/147
- D. 354,467 * 1/1995 Wallet et al. D12/147
- D. 397,649 * 9/1998 Grosskopf et al. D12/147
- D. 399,798 * 9/2000 Grosskopf et al. D12/147
- D. 431,214 * 9/2000 Grosskopf et al. D12/147

OTHER PUBLICATIONS

Co-Op country Squire RT Tire, 1999 Tread Design Guide,
p. 85 4/2, Jan. 1999.*

Dayton Daytona Stag XT Tire, 1999 Tread Design Guide, p.
89. 1/5, Jan. 1999.*

* cited by examiner

Primary Examiner—Robert M. Spear

(74) *Attorney, Agent, or Firm*—Thomas R. Kingsbury;
Michael Sand; John H. Hornickel

(57) **CLAIM**

The ornamental design for a tire tread, as shown and
described.

DESCRIPTION

FIG. 1 is a side perspective view of a tire tread showing my
new design, it being understood that the tread pattern is
repeated throughout the circumference of the tire tread, the
opposite side being the same as that shown;

FIG. 2 is a front elevational view thereof;

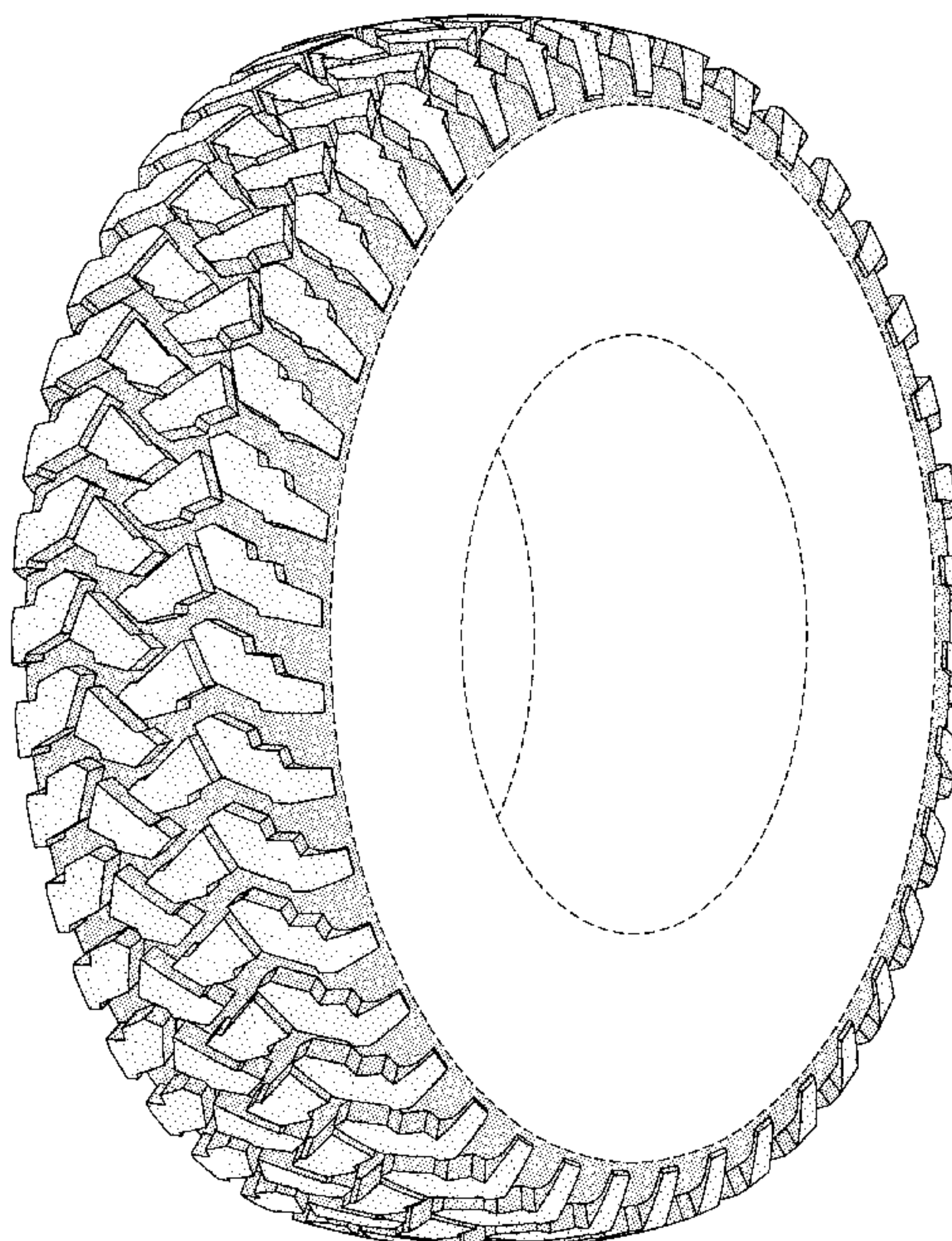
FIG. 3 is a side elevational view of the right side thereof;

FIG. 4 is a side elevational view of the left side thereof; and,

FIG. 5 is an enlarged fragmentary side perspective view
thereof.

The broken lines defining the tire sidewall and inner bead
and the peripheral boundary between the tire tread and
sidewall are for illustrative purposes only and form no part
of the claimed design.

1 Claim, 5 Drawing Sheets



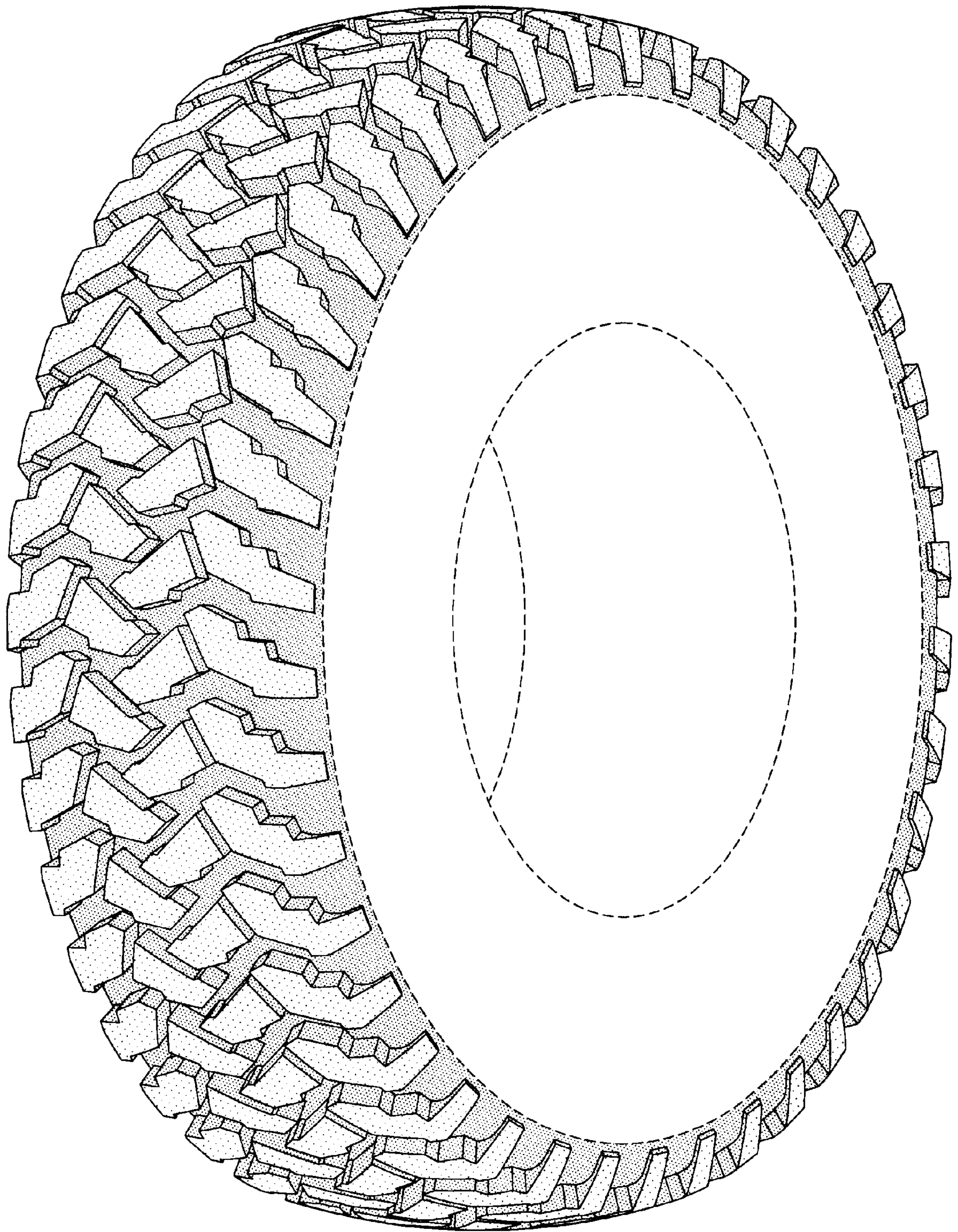


FIG-1

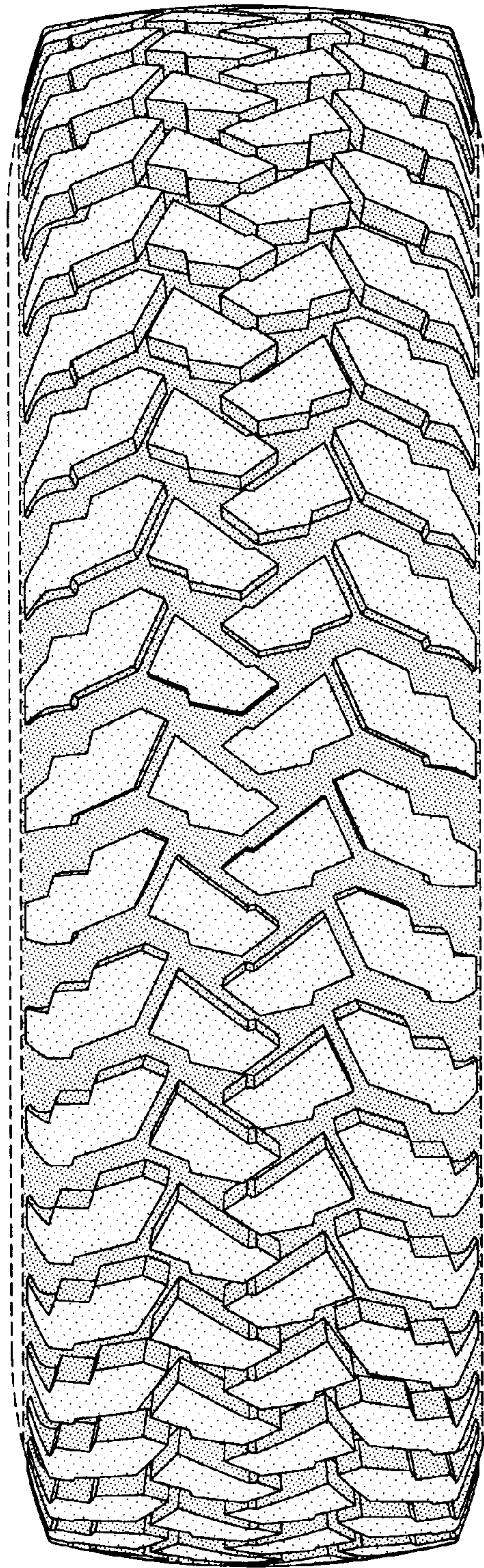


FIG-2

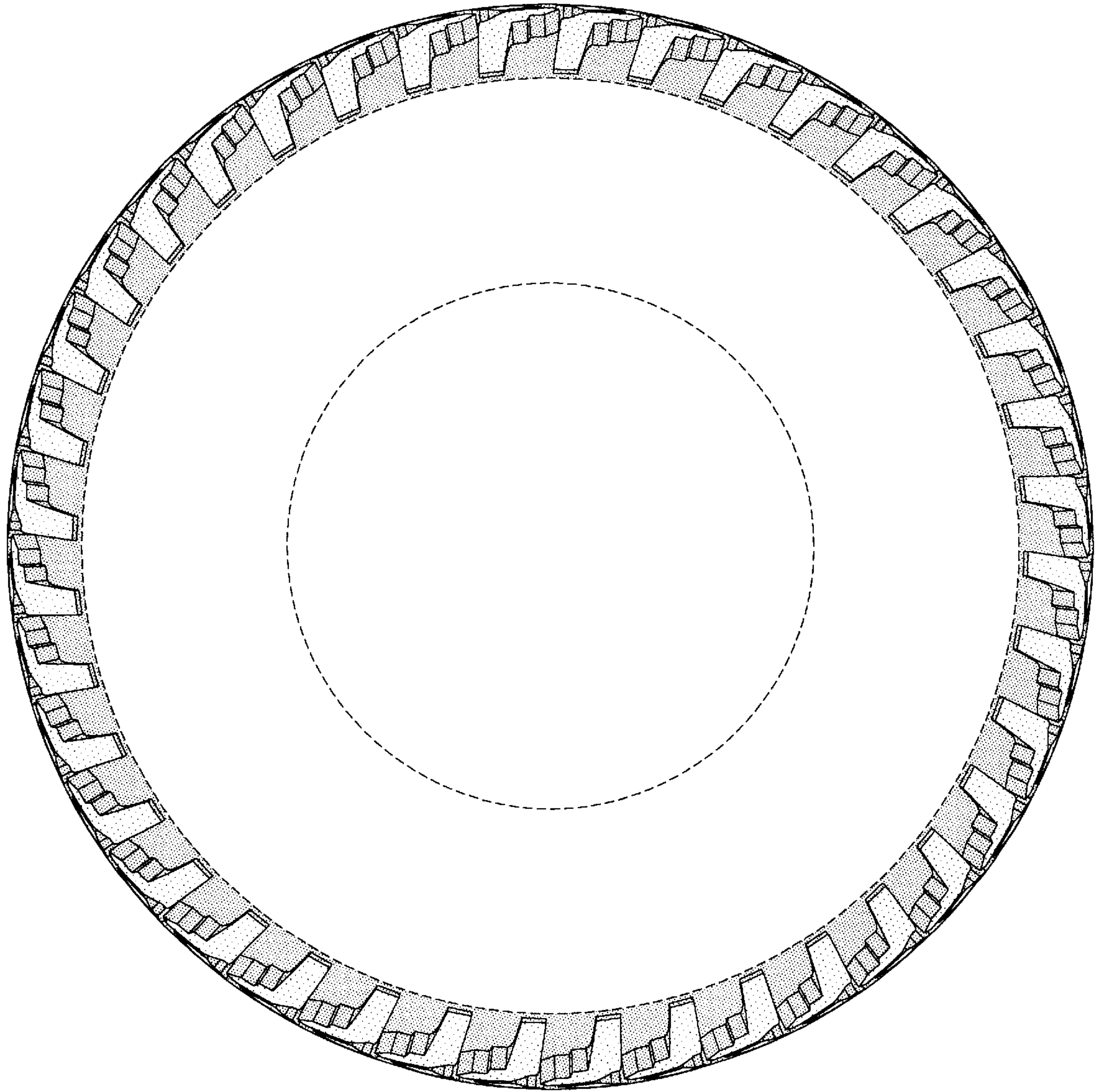


FIG-3

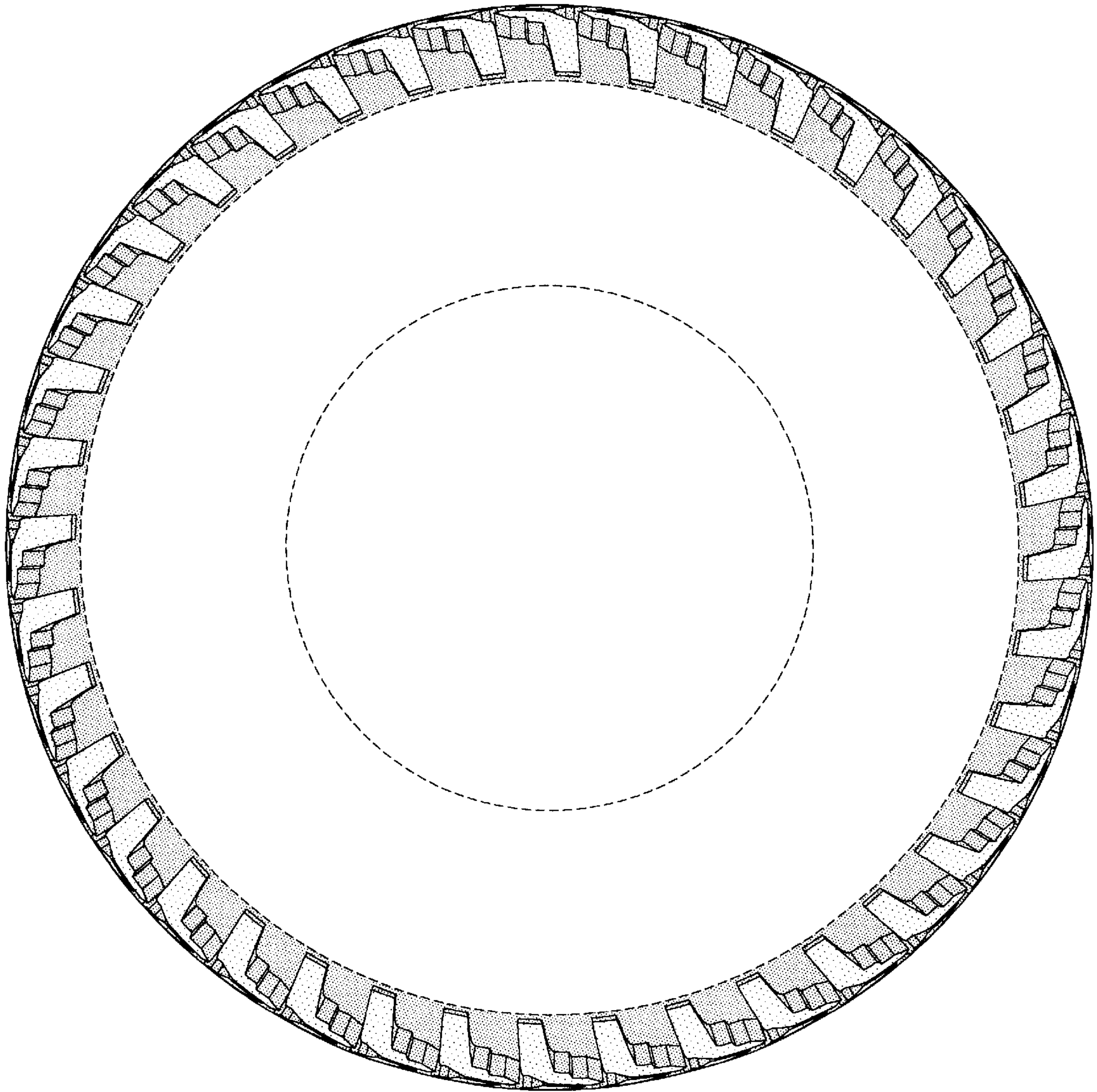


FIG-4

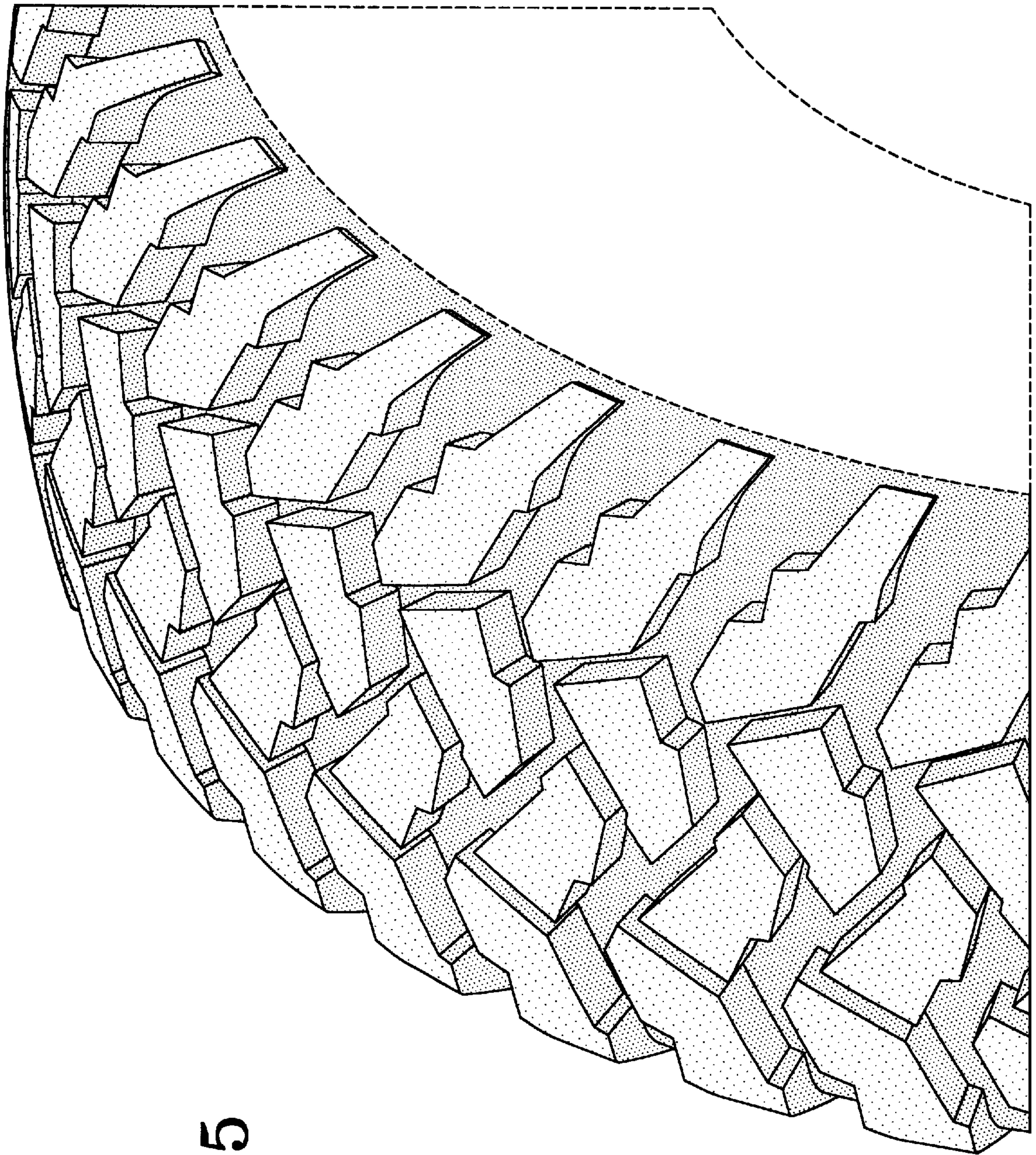


FIG-5