



US00D447986B1

(12) **United States Design Patent**  
**Hsu**

(10) **Patent No.:** **US D447,986 S**

(45) **Date of Patent:** **\*\* Sep. 18, 2001**

(54) **DERAILLEUR**

5,597,366 \* 1/1997 Ozaki ..... 474/82  
5,836,844 \* 11/1998 Yoshida ..... 474/80

(76) Inventor: **Yi-Hsung Hsu**, No. 51,  
Hai-Shan-Chung St., Hai-Hu Village,  
Lu-Chu Hsiang, Taoyuan Hsien (TW)

\* cited by examiner

(\*\*) Term: **14 Years**

*Primary Examiner*—Melody N. Brown  
(74) *Attorney, Agent, or Firm*—Kolisch, Hartwell,  
Dickinson, McCormack & Heuser

(21) Appl. No.: **29/134,908**

(57) **CLAIM**

(22) Filed: **Dec. 29, 2000**

The ornamental design for a derailleur, as shown.

(51) **LOC (7) Cl.** ..... **12-11**

**DESCRIPTION**

(52) **U.S. Cl.** ..... **D12/124**

FIG. 1 is a perspective view of a derailleur, showing my new design;

(58) **Field of Search** ..... D12/124, 111,  
D12/114; 74/475, 489, 531; 474/80-82;  
280/257, 238

FIG. 2 is a front elevational view thereof;  
FIG. 3 is a rear elevational view thereof;  
FIG. 4 is a left elevational view thereof;  
FIG. 5 is a right elevational view thereof;  
FIG. 6 is top plan view thereof; and,  
FIG. 7 is a bottom plan view thereof.

(56) **References Cited**

**U.S. PATENT DOCUMENTS**

D. 424,984 \* 5/2000 Hanamura ..... D12/124  
D. 432,056 \* 10/2000 Hanamura ..... D12/124

**1 Claim, 4 Drawing Sheets**

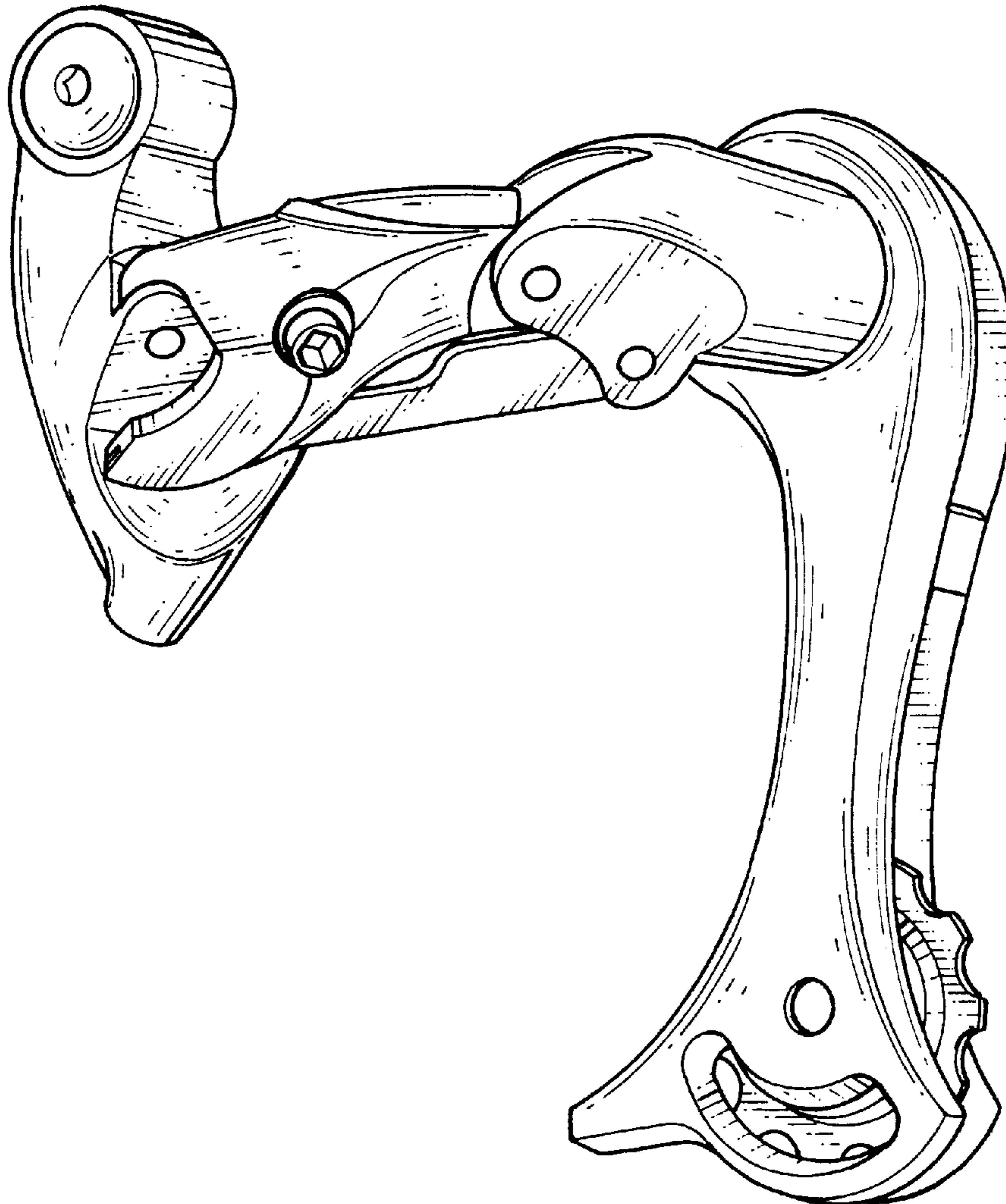
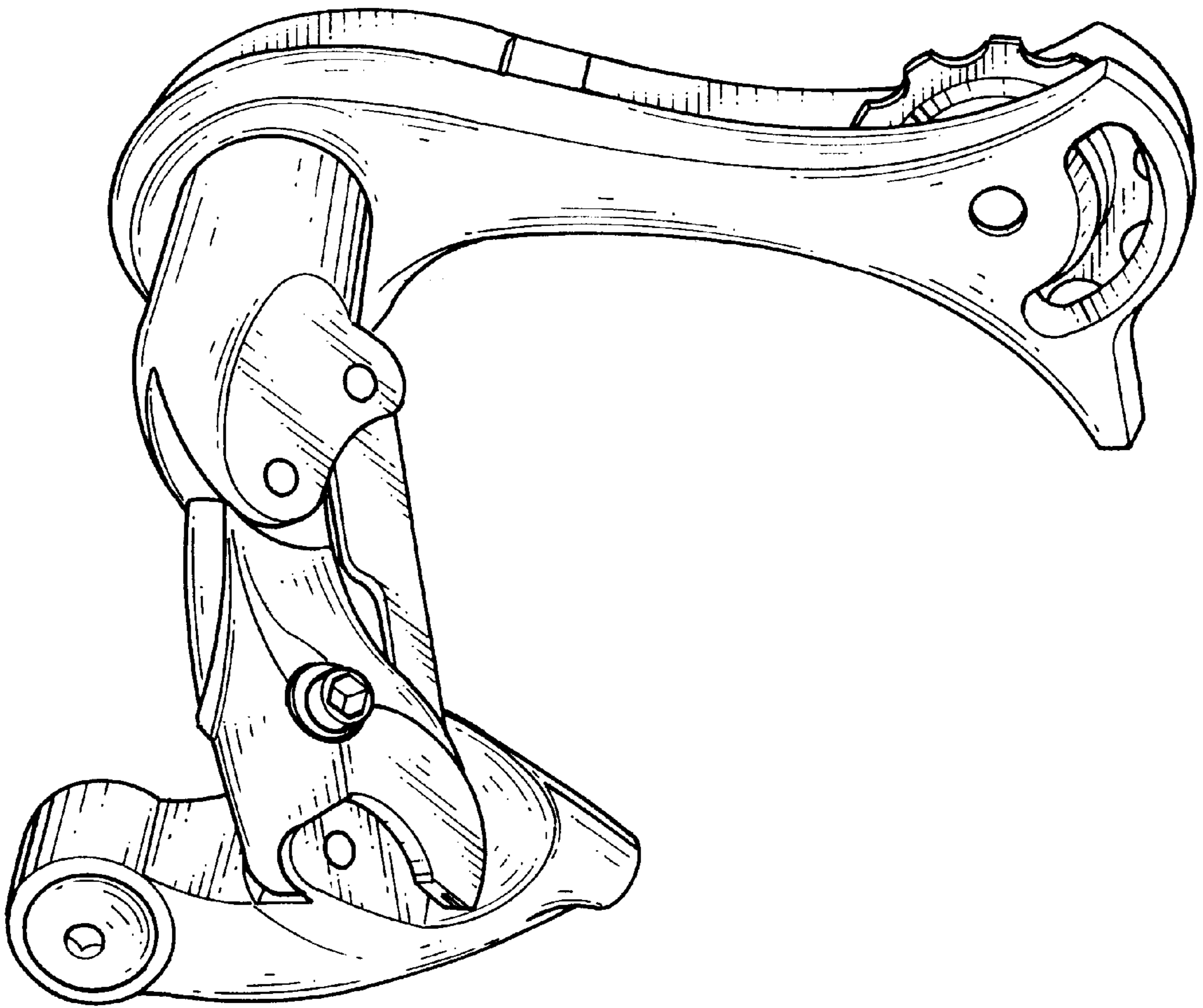


FIG. 1



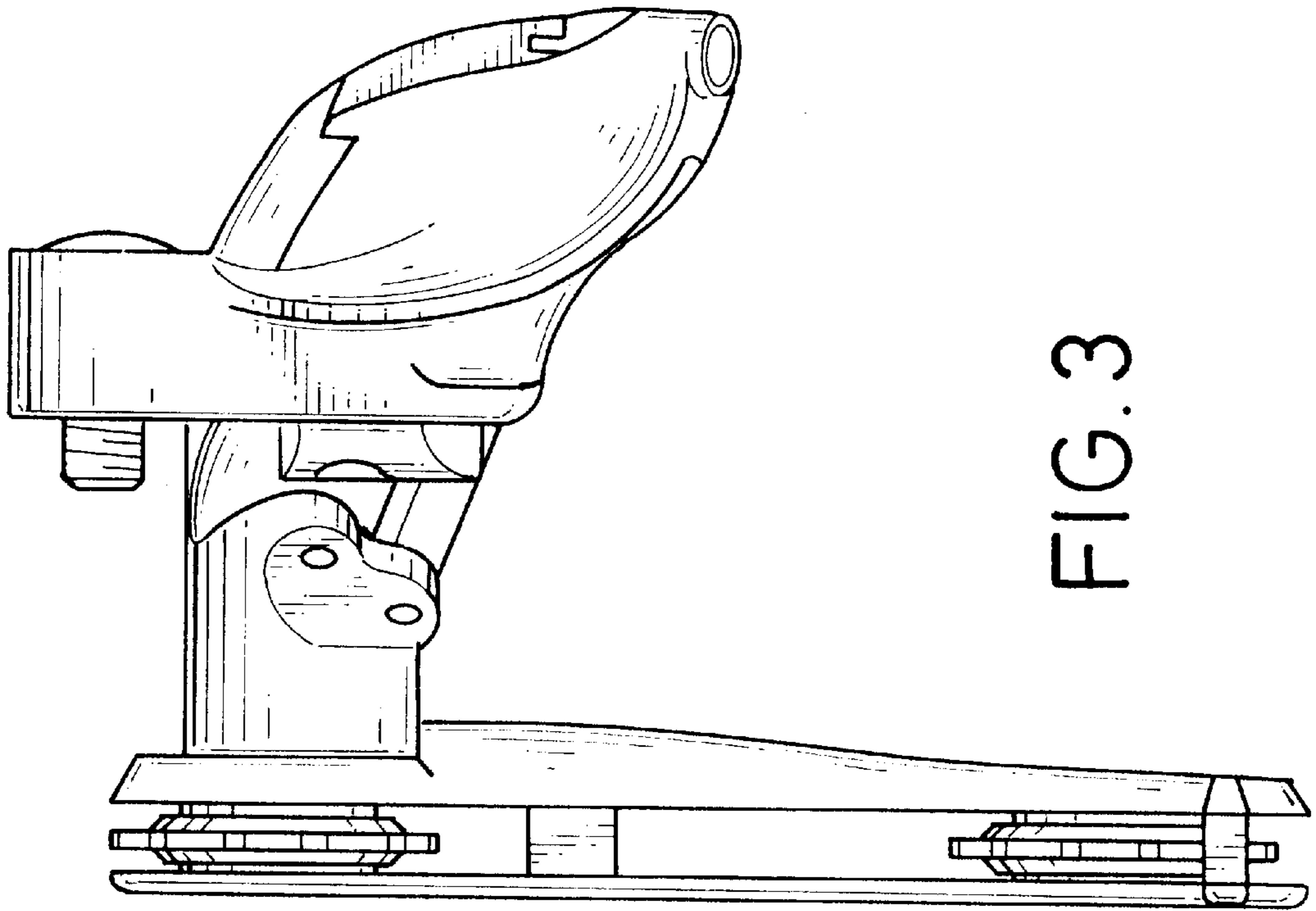


FIG. 3

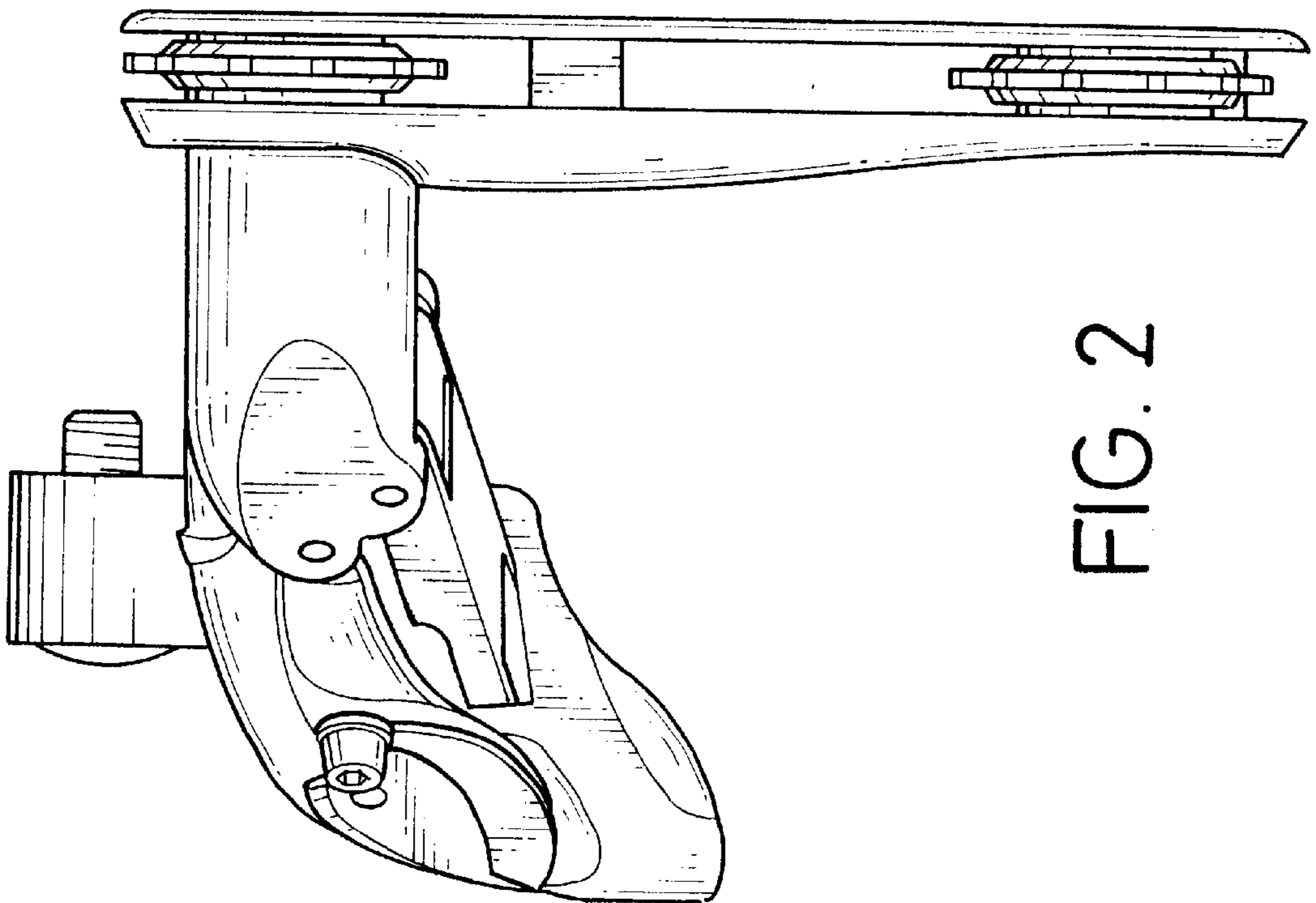


FIG. 2

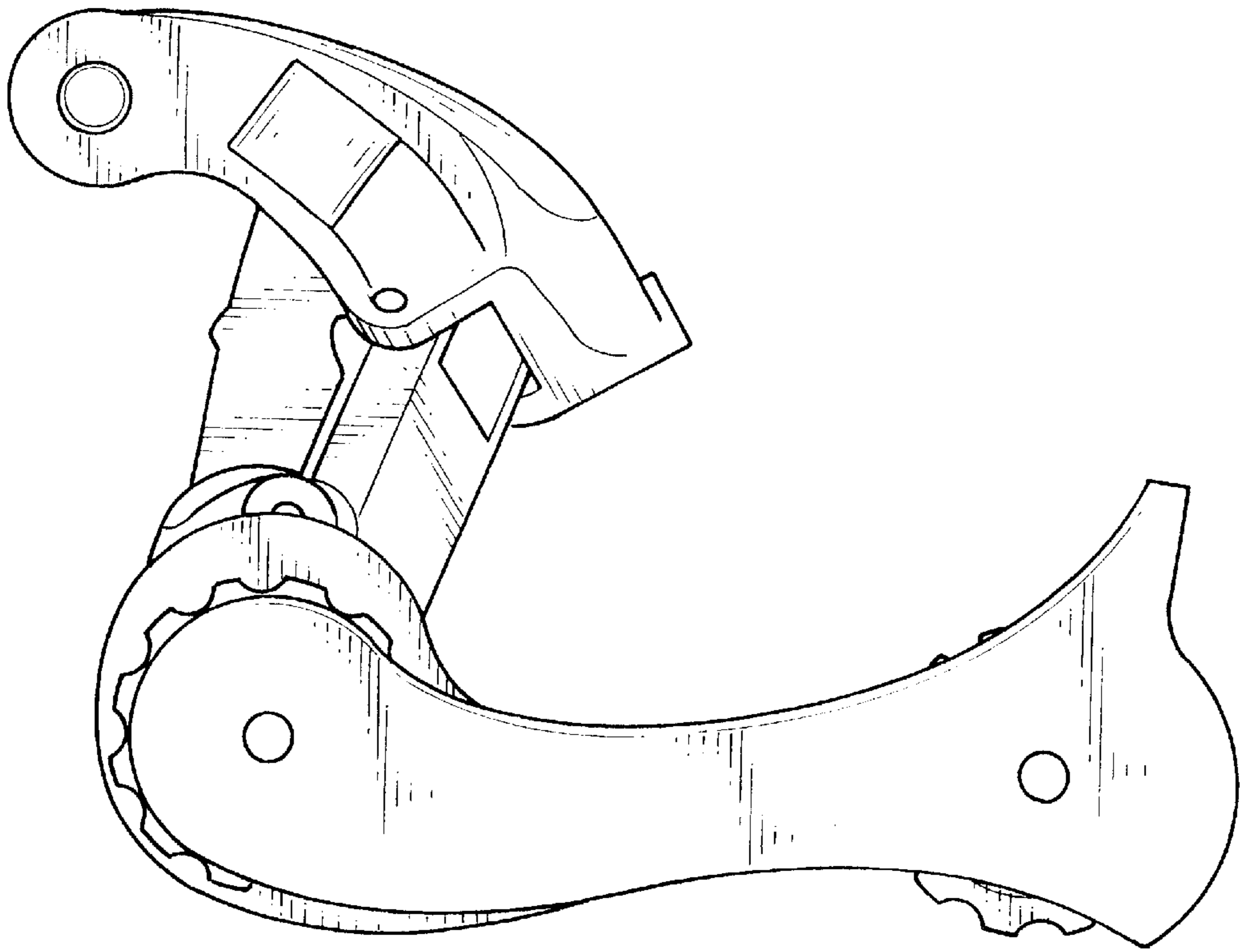


FIG. 5

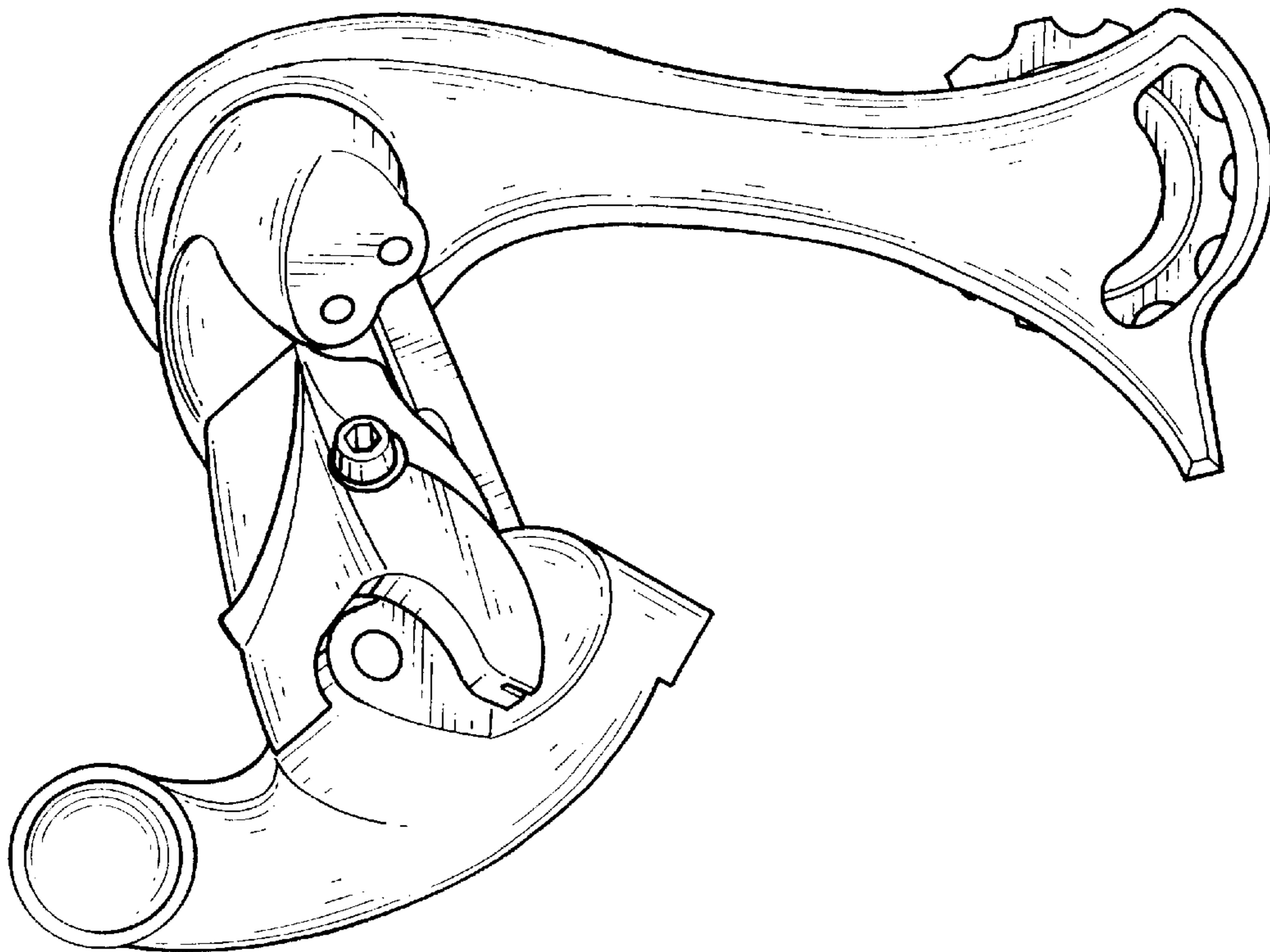


FIG. 4

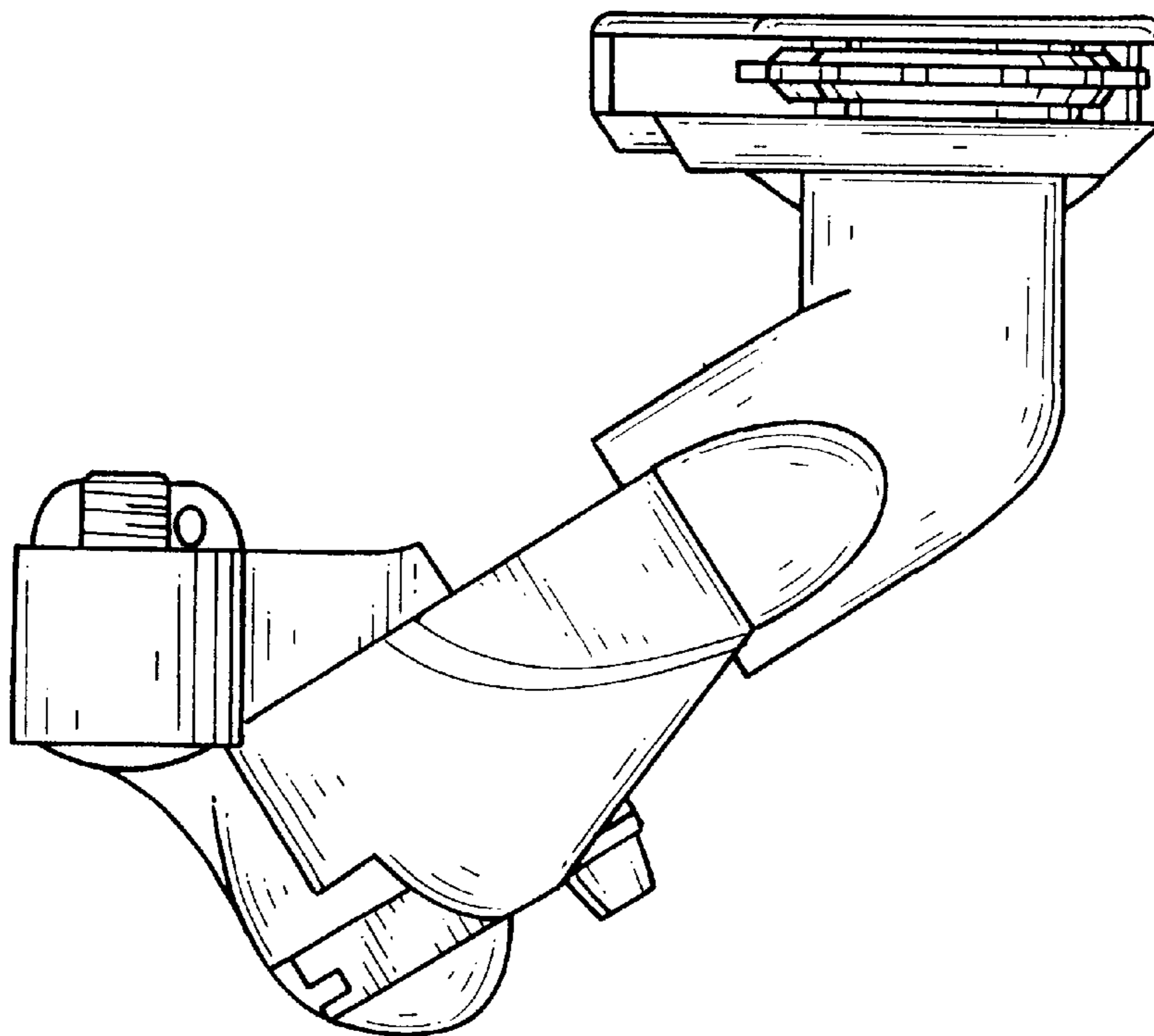


FIG. 6

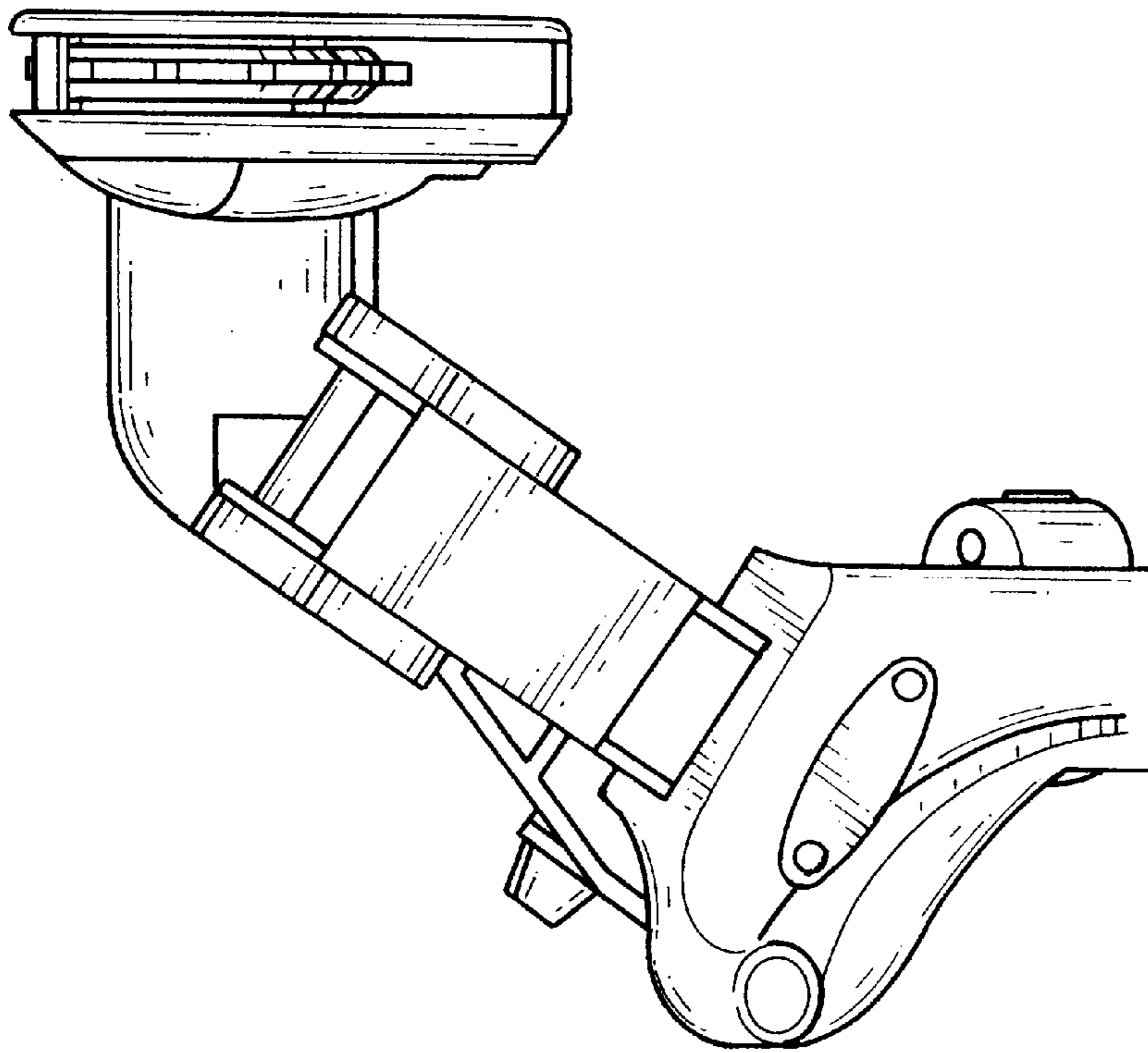


FIG. 7