



US00D447981B1

(12) **United States Design Patent**
Chen

(10) **Patent No.:** **US D447,981 S**

(45) **Date of Patent:** **** Sep. 18, 2001**

(54) **BELT BUCKLE**

4,651,989 * 3/1987 Wilson D2/629

(76) Inventor: **Peter Chen**, 11135 E. Rush St., Suite
B, South El Monte, CA (US) 91733

* cited by examiner

(**) Term: **14 Years**

Primary Examiner—Louis S. Zarfes
Assistant Examiner—Barbara Wyatt Crawford
(74) *Attorney, Agent, or Firm*—Sheldon & Mak

(21) Appl. No.: **29/128,347**

(57) **CLAIM**

(22) Filed: **Aug. 22, 2000**

The ornamental design for the belt buckle, as shown and described.

(51) **LOC (7) Cl.** **02-07**

(52) **U.S. Cl.** **D11/231**

(58) **Field of Search** D2/815–843; D3/215–250;
D7/416; D11/200–235; D27/157, 187; D32/36;
224/101; 248/95

DESCRIPTION

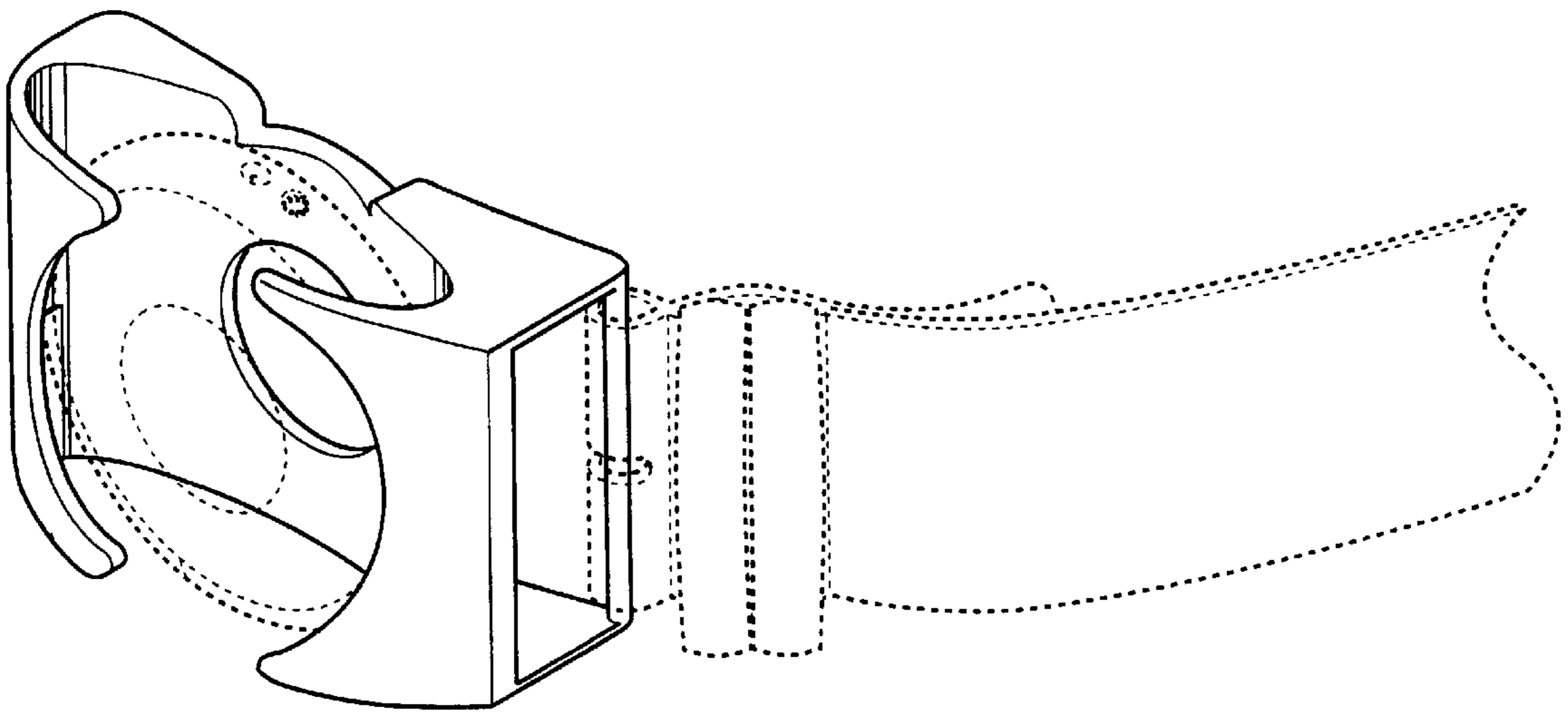
(56) **References Cited**

U.S. PATENT DOCUMENTS

D. 99,683	*	4/1936	Singer	D2/636
D. 166,409	*	4/1952	Paciello	D11/201
D. 220,077	*	3/1971	Weingardt	D11/201
D. 230,883	*	3/1974	Brigham	D11/3
D. 271,061	*	10/1983	Zimmerman	D27/187
D. 287,187	*	12/1986	Olson	.	
1,383,968	*	7/1921	Perry, Jr. et al.	D2/627
1,599,419	*	9/1926	Klein	D2/635
1,961,067	*	4/1934	Mix	D2/629
4,562,620	*	1/1986	Oliver, Jr.	D2/400

FIG. 1 is a top plan view of the belt buckle of the subject invention;
FIG. 2 is a front view of the belt buckle of FIG. 1;
FIG. 3 is a bottom view of the belt buckle of FIG. 1;
FIG. 4 is a left side view of the belt buckle of FIG. 1;
FIG. 5 is a rear view of the belt buckle of FIG. 1;
FIG. 6 is a right side view of the belt buckle of FIG. 1;
FIG. 7 is a perspective view of the belt buckle of FIG. 1, shown with a belt;
FIG. 8 is a perspective view of the belt buckle of FIG. 1, shown with a lighter and a belt; and,
FIG. 9 is a rear perspective view showing the belt buckle of FIG. 1.

1 Claim, 5 Drawing Sheets



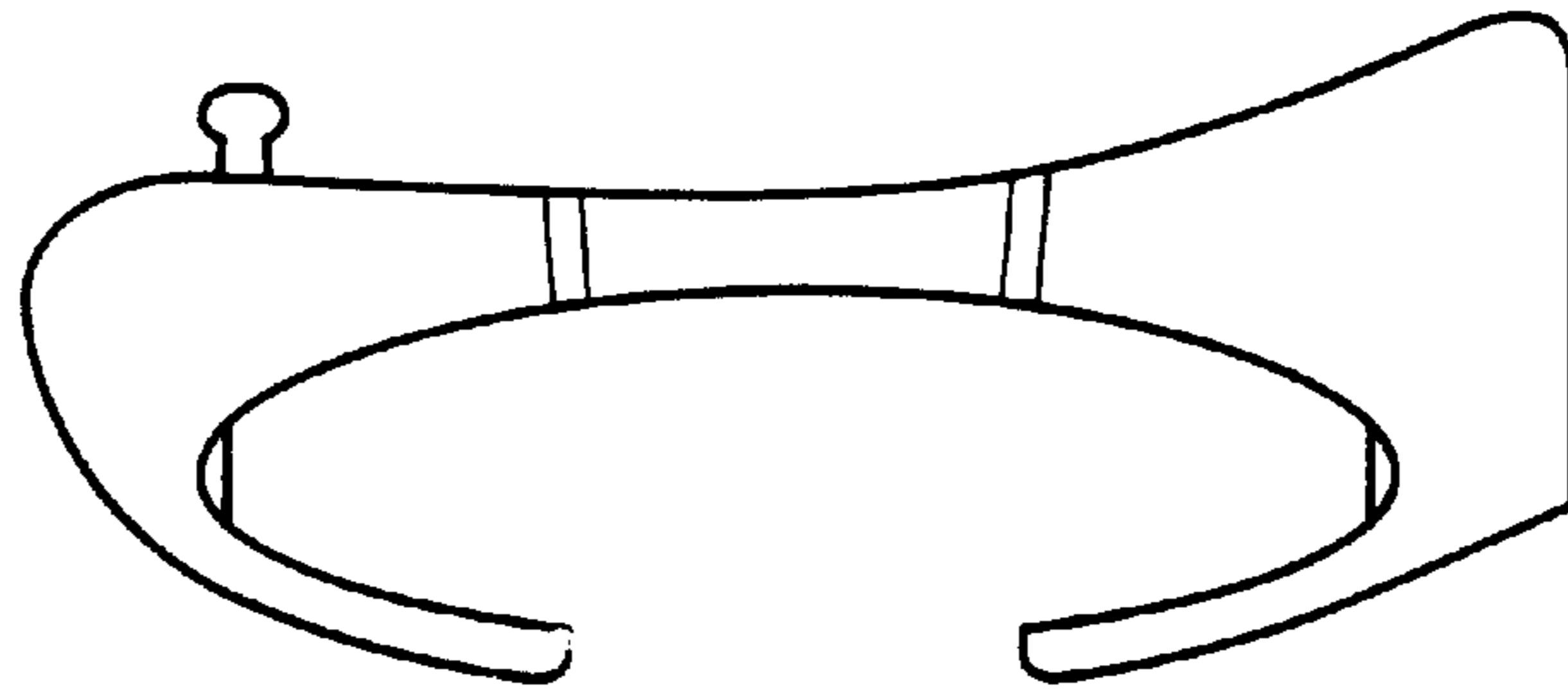


Fig 1

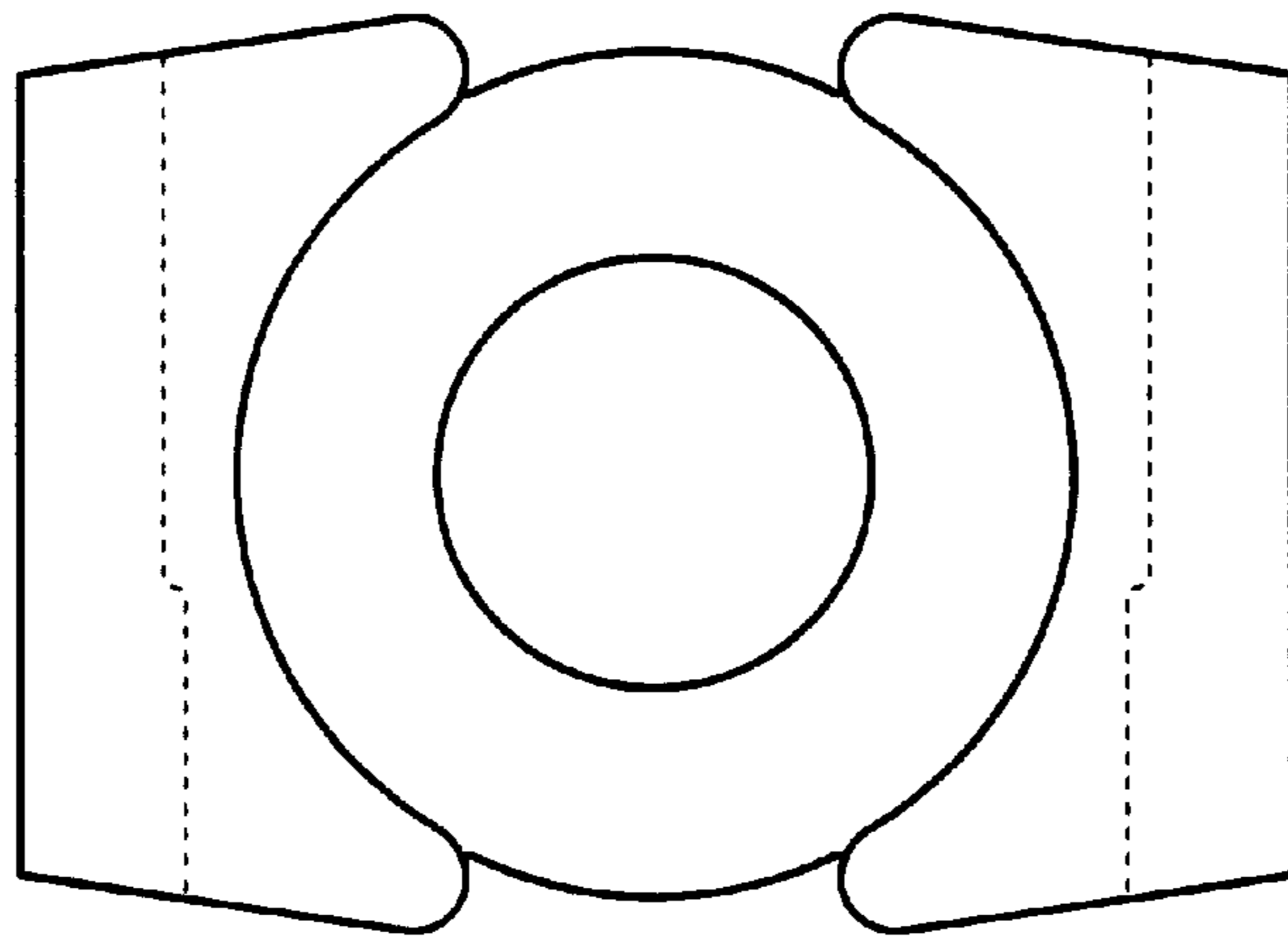


Fig 2

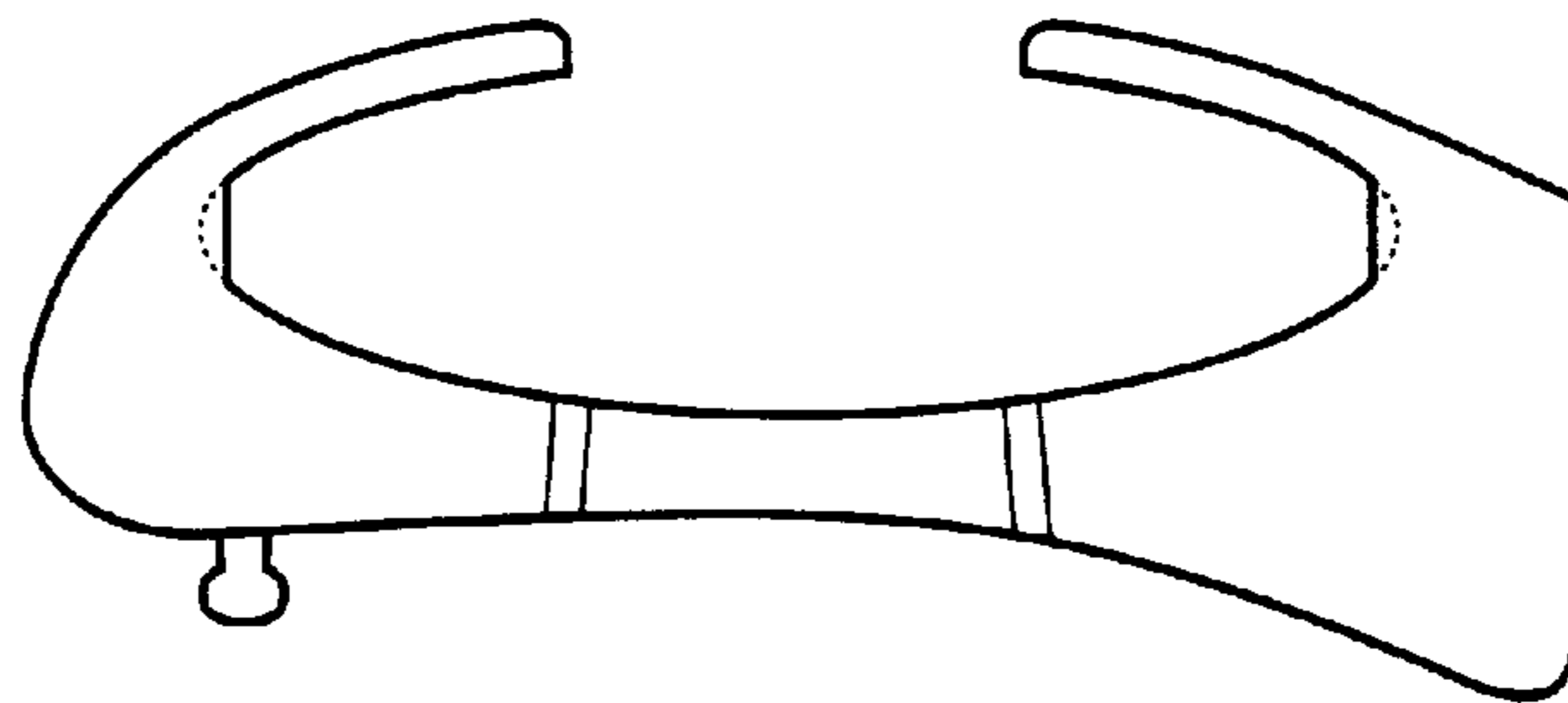


Fig 3

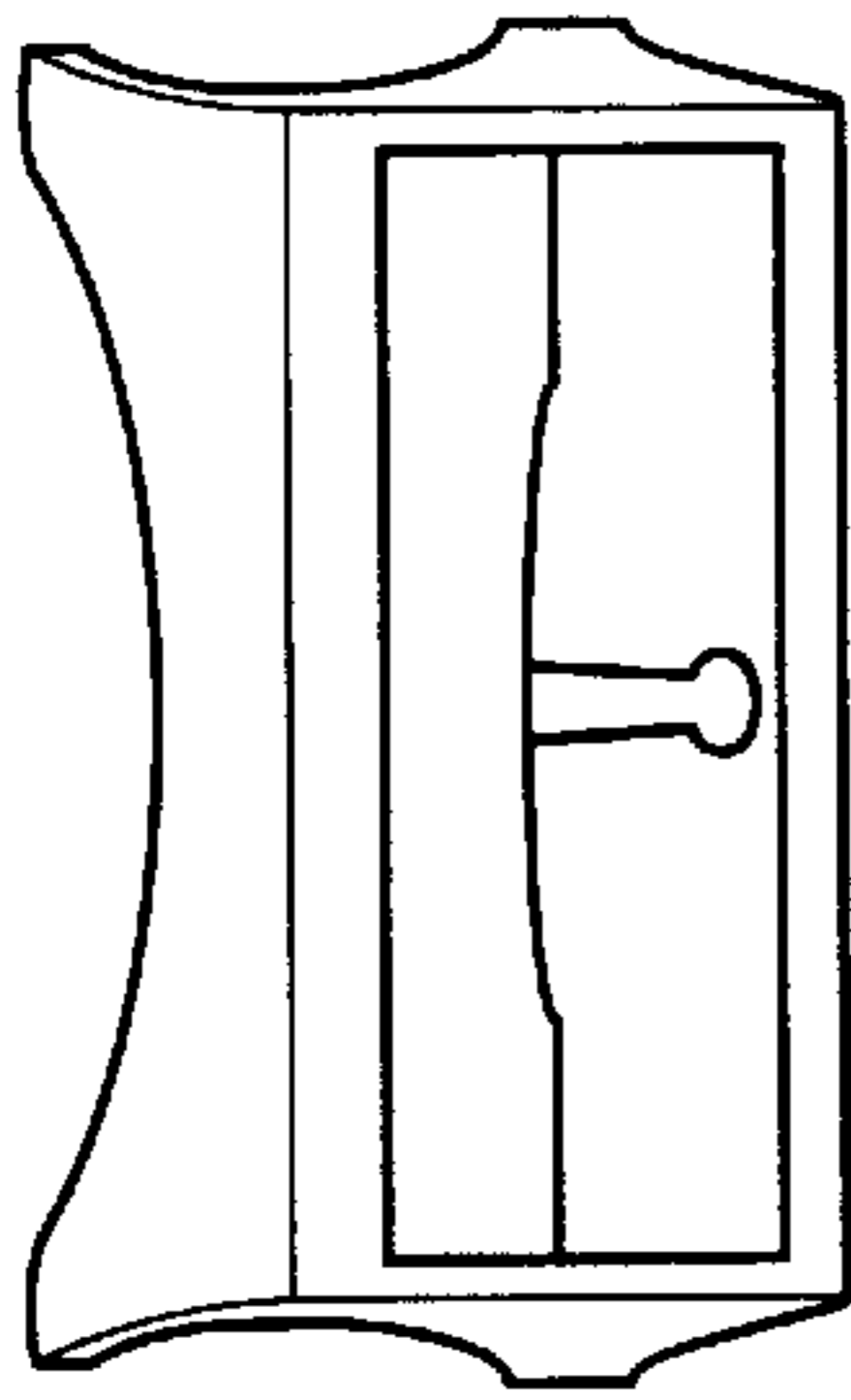


Fig 4

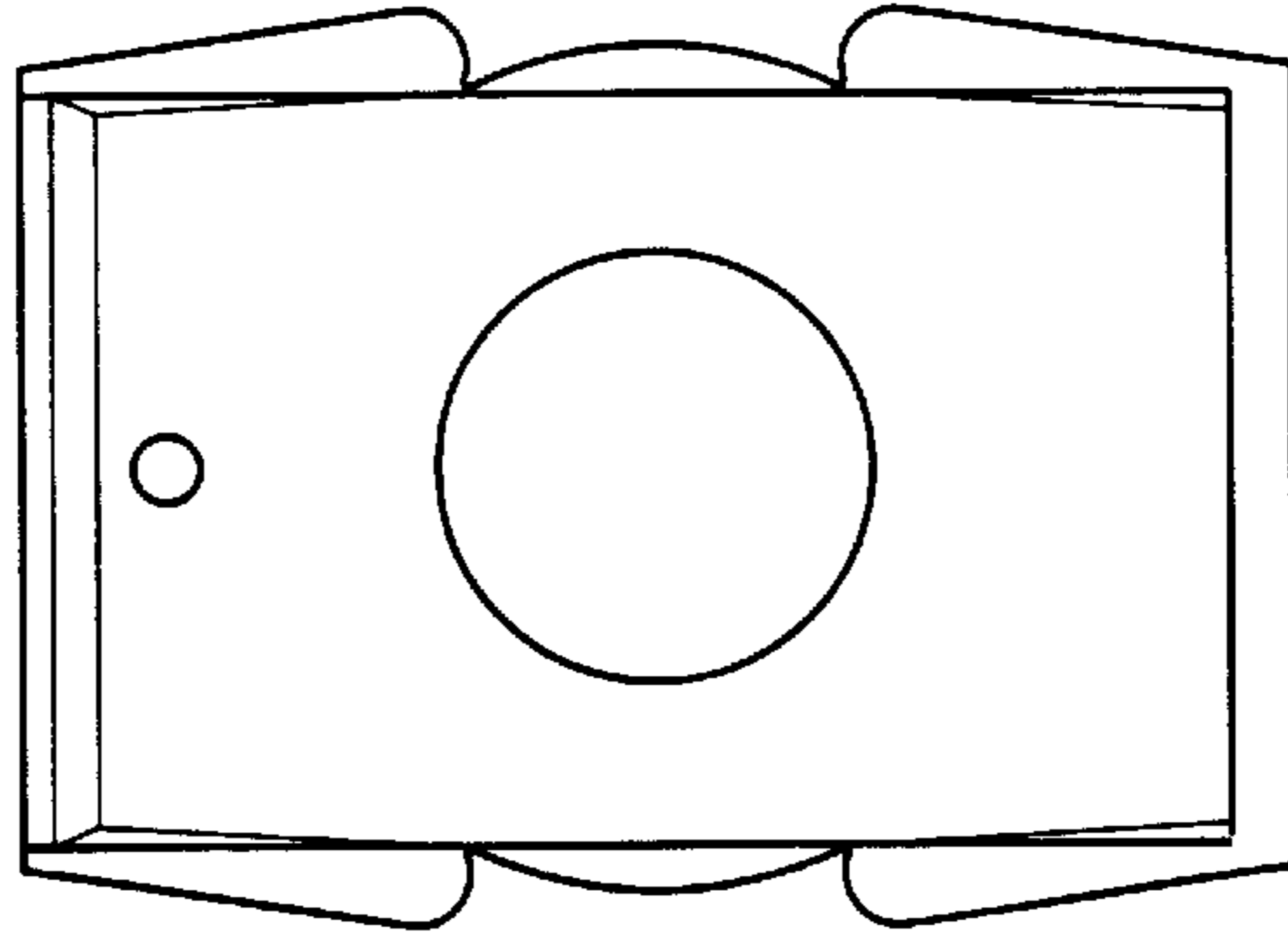


Fig 5

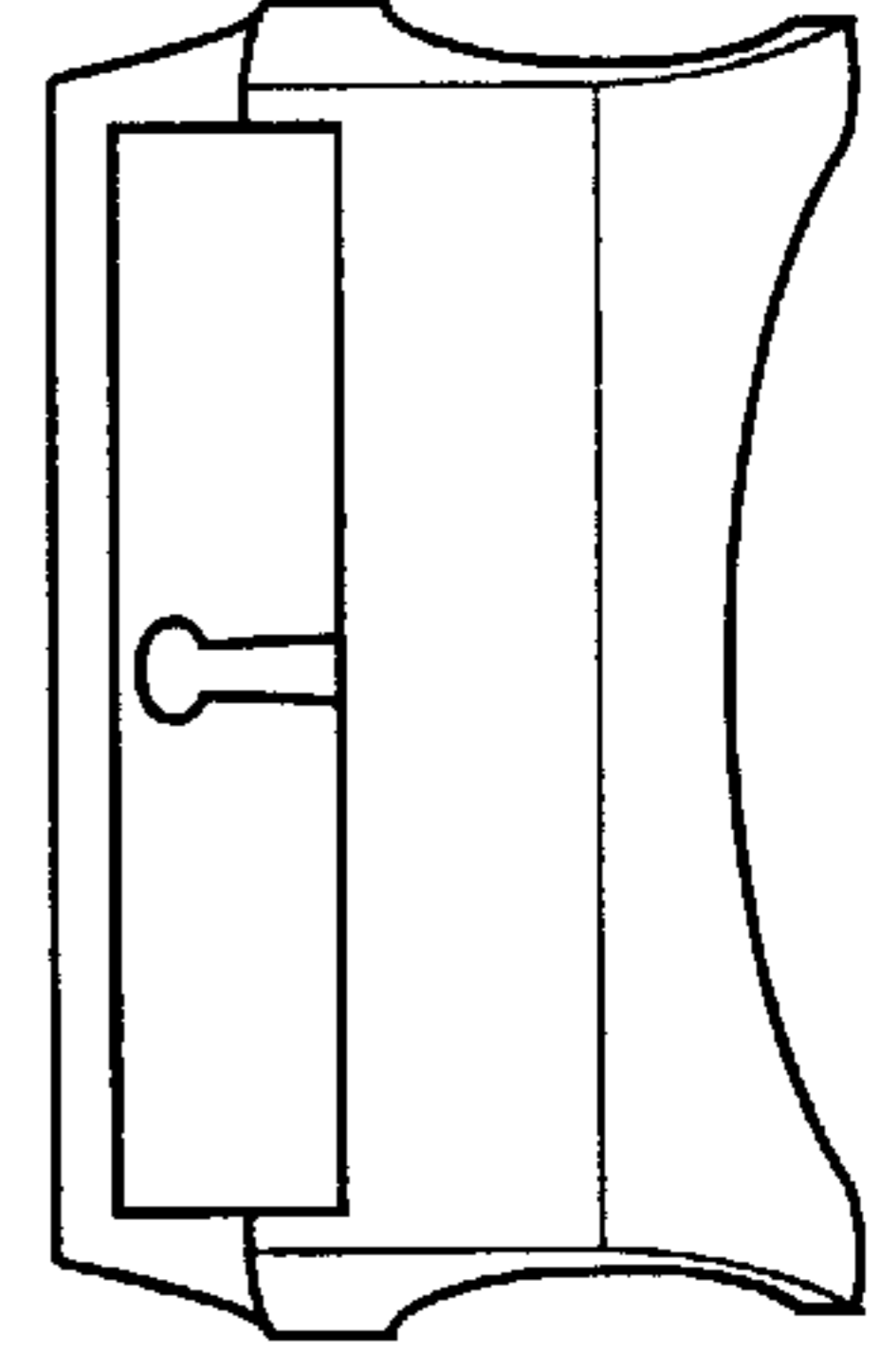


Fig 6

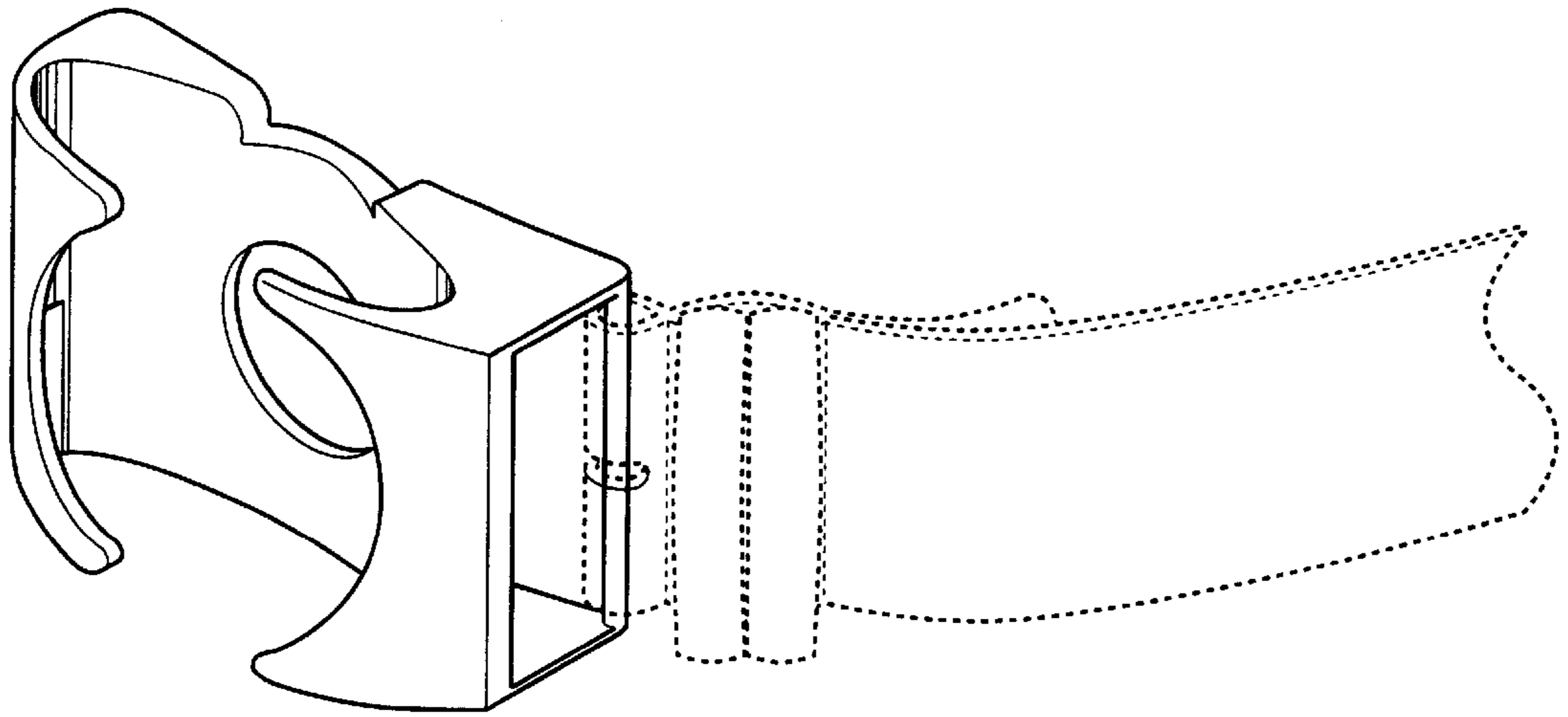


Fig 7

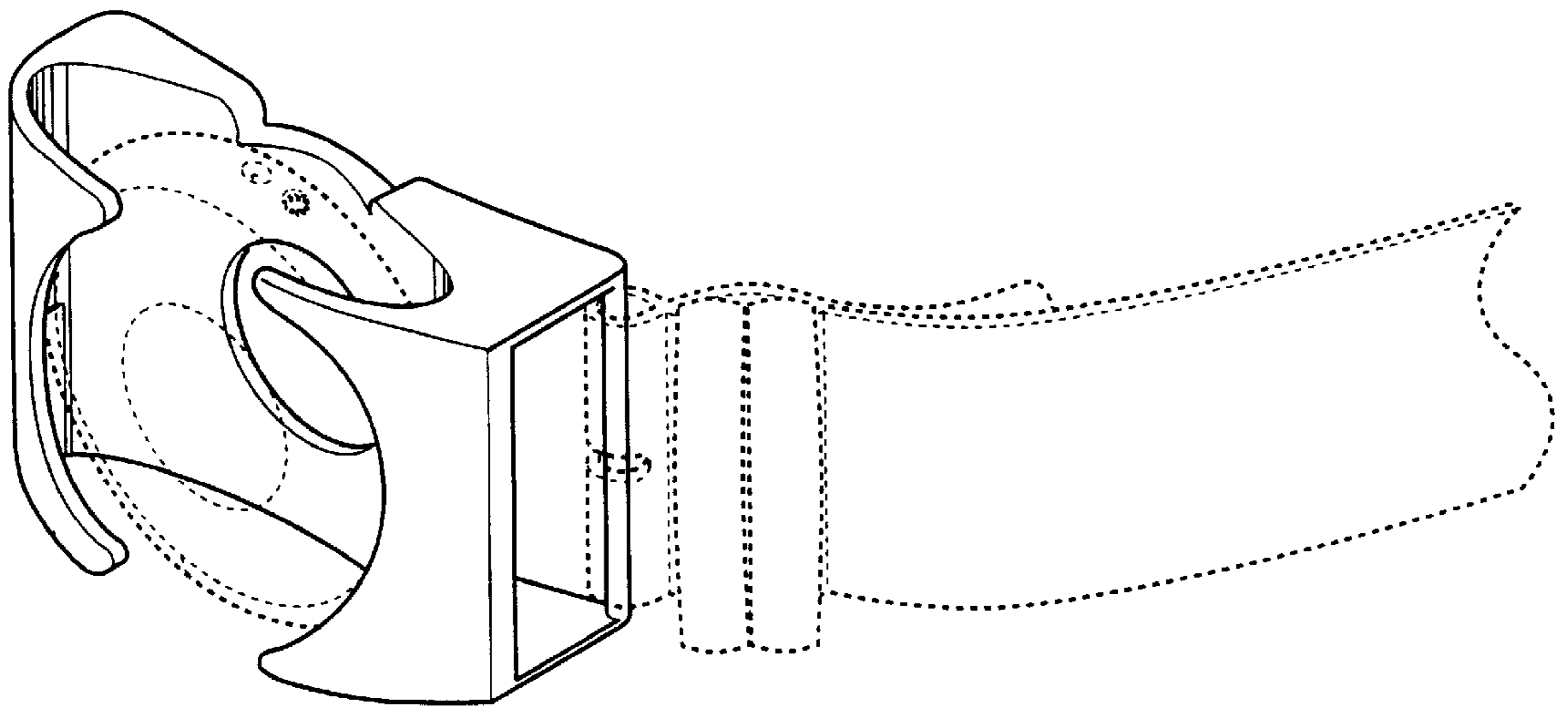


Fig 8

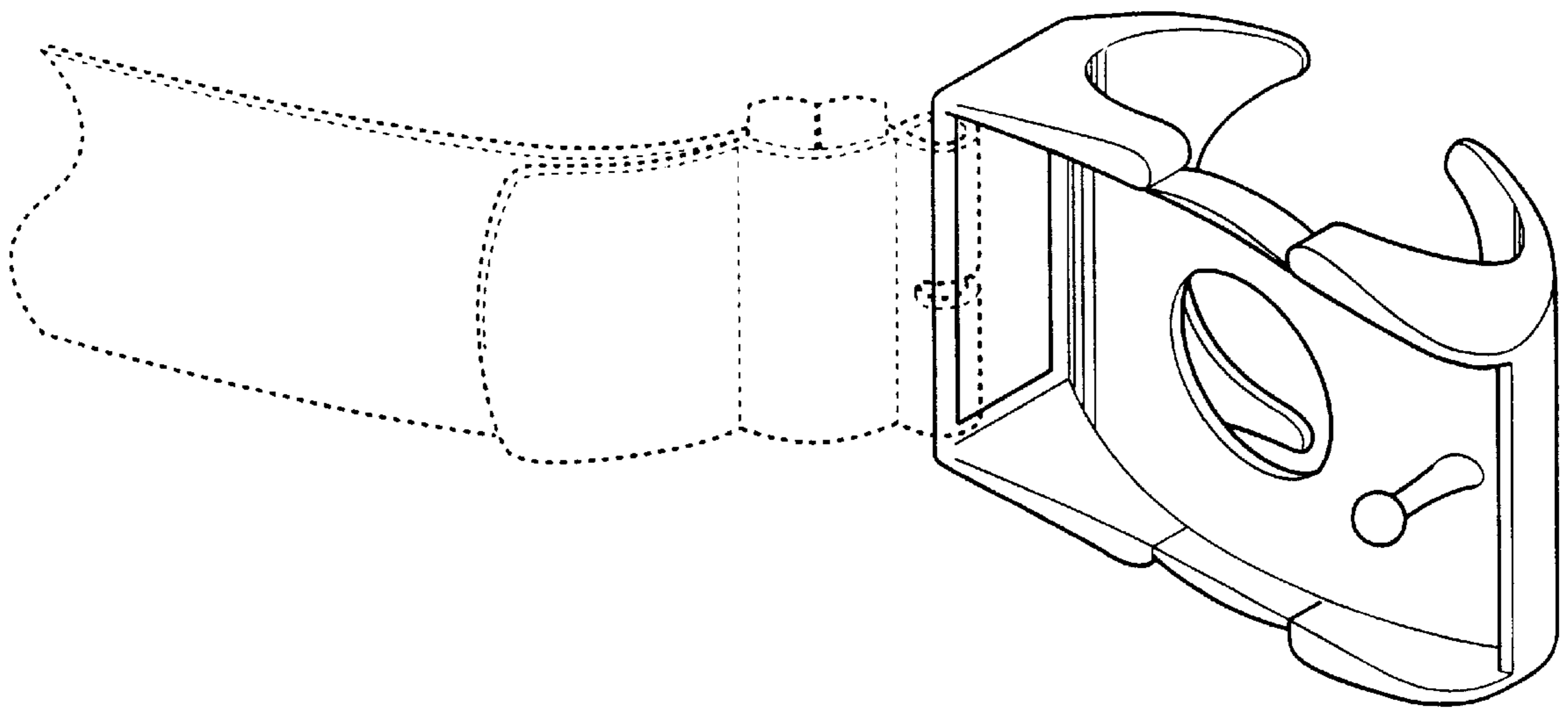


Fig 9