



US00D447979B1

(12) **United States Design Patent**  
**Anscher**

(10) **Patent No.:** **US D447,979 S**

(45) **Date of Patent:** **\*\* Sep. 18, 2001**

(54) **MALE CHEST HARNESS BUCKLE PORTION**

5,709,014 \* 1/1998 Takahashi ..... 24/614

(76) Inventor: **Joseph Anscher**, 1928 Midlane,  
Muttontown, NY (US) 11791

\* cited by examiner

(\*\*) Term: **14 Years**

*Primary Examiner*—Louis S. Zarfaz  
*Assistant Examiner*—Barbara Wyatt Crawford  
(74) *Attorney, Agent, or Firm*—Collard & Roe, P.C.

(21) Appl. No.: **29/131,671**

(57) **CLAIM**

(22) Filed: **Oct. 26, 2000**

The ornamental design for a male chest harness buckle portion, as shown and described.

(51) **LOC (7) Cl.** ..... **07-06**

(52) **U.S. Cl.** ..... **D11/216**

(58) **Field of Search** ..... D8/383; D11/200,  
D11/215, 218; 24/163 R, 163 K, 163, 171,  
191, 196, 199, 580, 625, 633, 650; 224/272,  
295; 280/150, 801, 807; 297/464, 474

**DESCRIPTION**

(56) **References Cited**

**U.S. PATENT DOCUMENTS**

- D. 329,210 \* 9/1992 Cullmann ..... D11/216
- D. 340,122 \* 10/1993 Wakabayashi ..... D11/218
- D. 348,236 \* 6/1994 James ..... D11/216
- D. 436,056 \* 1/2001 Oxley .
- 4,688,337 \* 8/1987 Dillner et al. .... 25/616
- 5,440,792 \* 8/1995 Ida ..... 24/615
- 5,551,131 \* 9/1996 Anscher ..... 24/614

FIG. 1 shows a perspective view of my design for a male chest harness buckle portion according to the invention; FIG. 2 shows a top view thereof; FIG. 3 shows a side view thereof inserted into a corresponding female buckle portion, with the opposite side view being identical; FIG. 4 shows a bottom view thereof; FIG. 5 shows a front end view thereof; and, FIG. 6 shows a rear end view thereof. The dashed lines are for environmental purposes only and form no part of the invention.

**1 Claim, 2 Drawing Sheets**

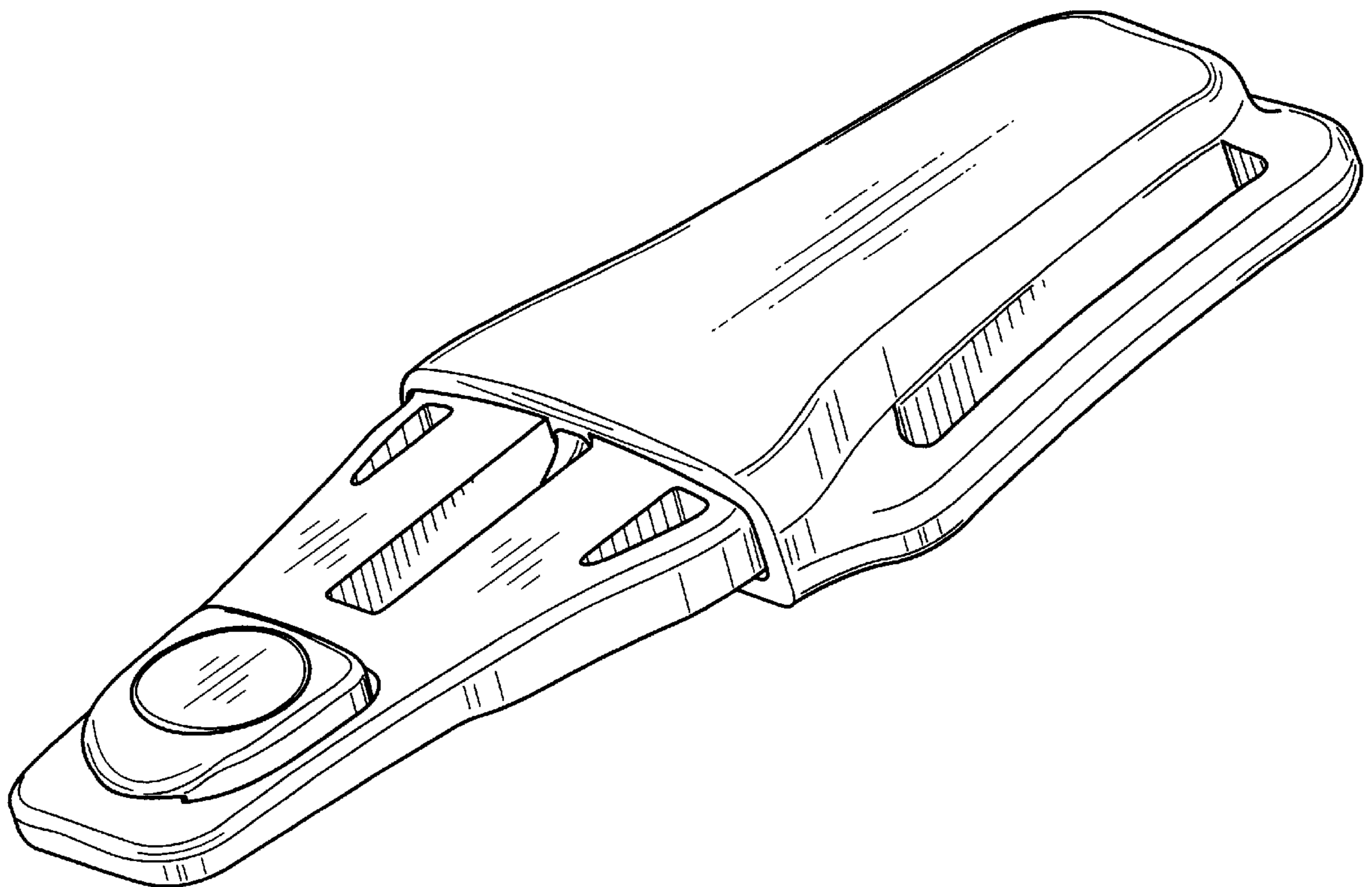


FIG. 1

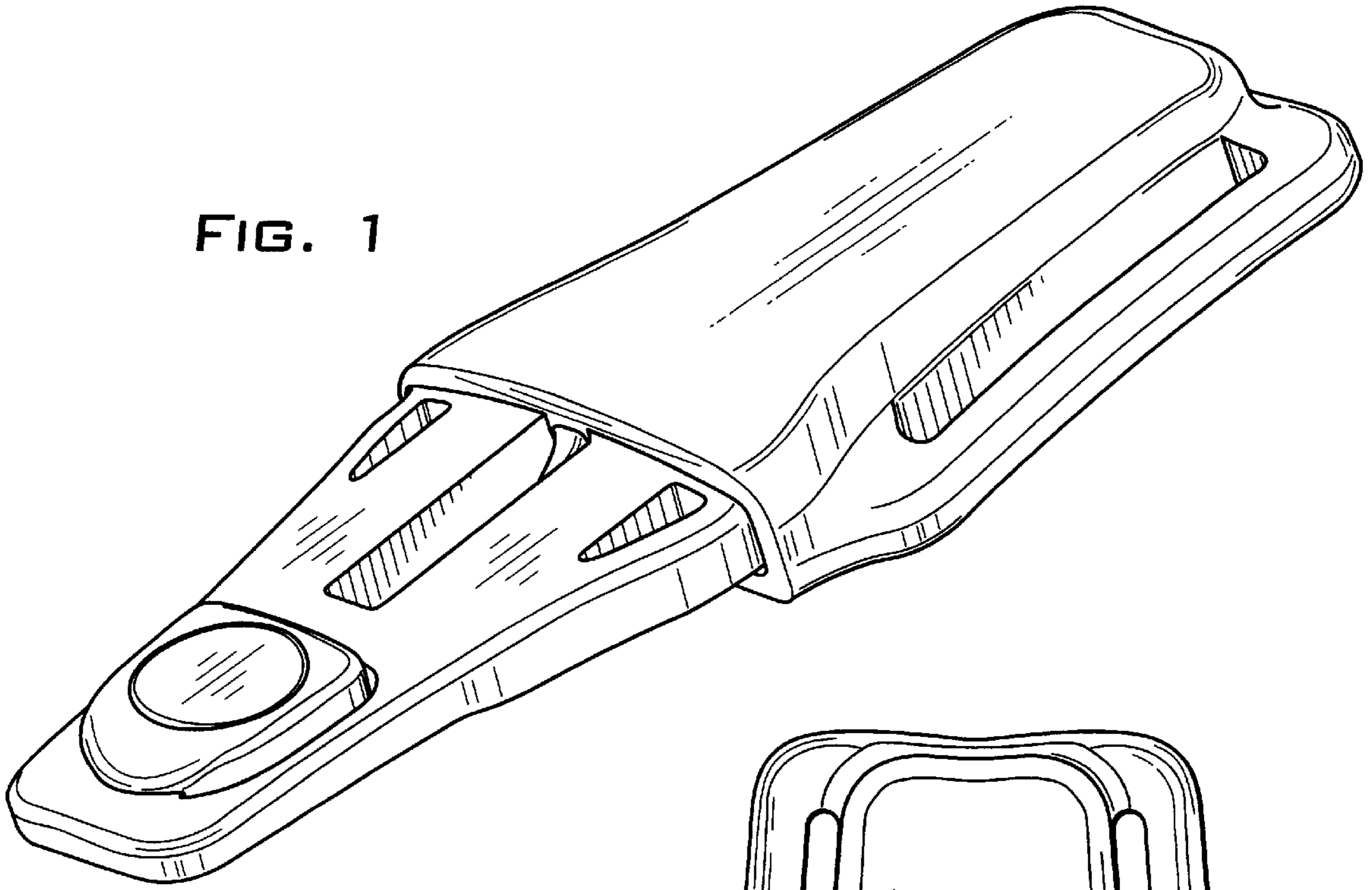


FIG. 2

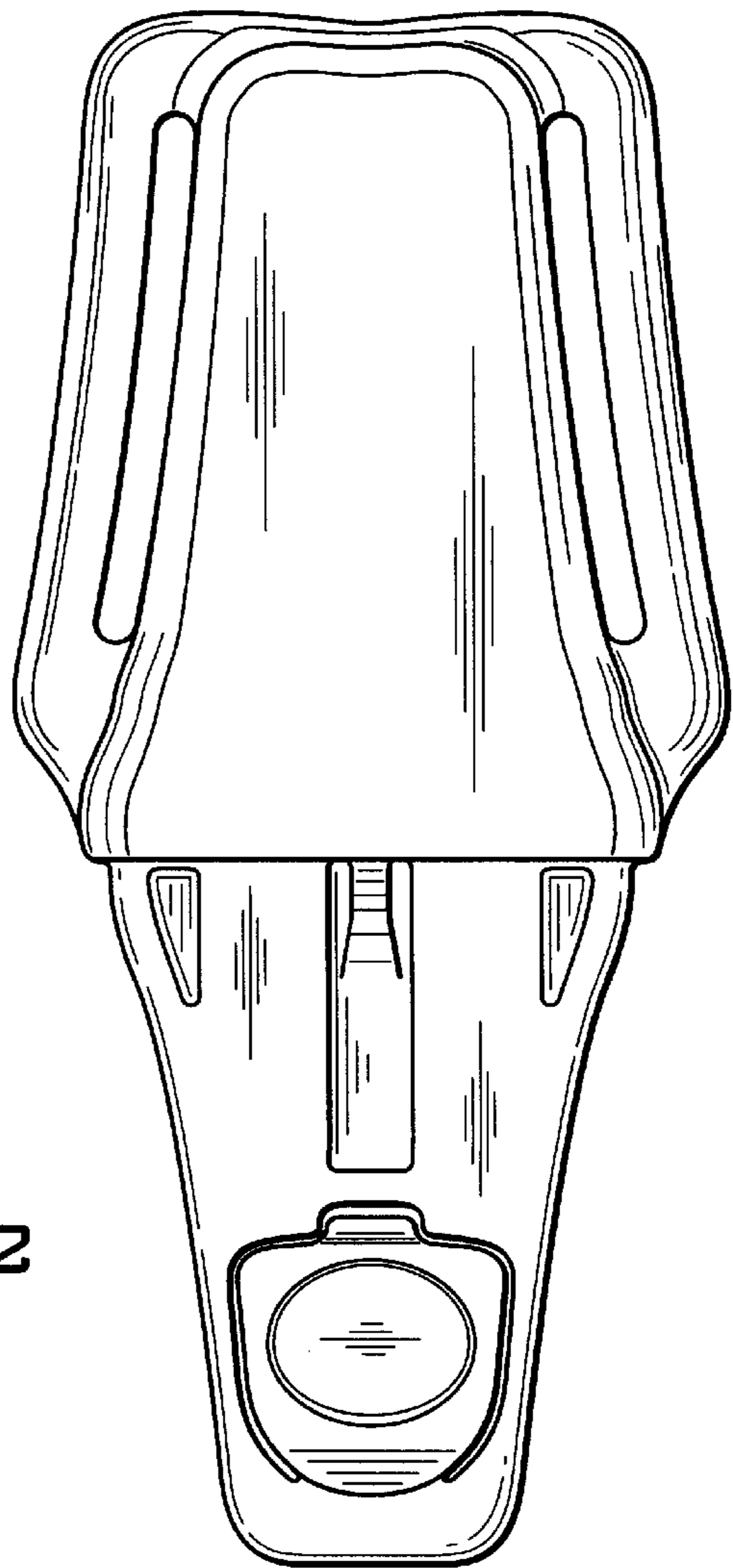




FIG. 3

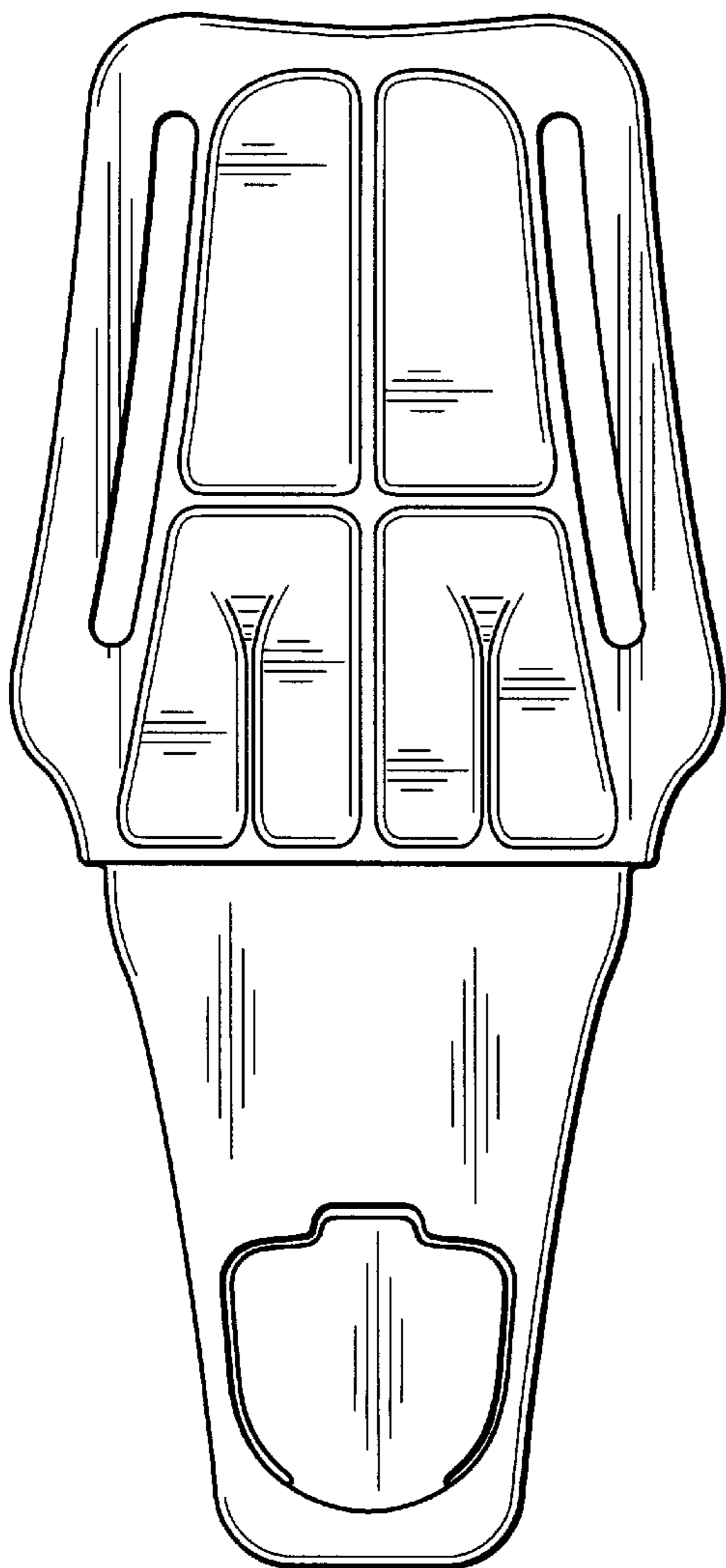


FIG. 4



FIG. 5



FIG. 6