



US00D447974B1

(12) **United States Design Patent**
Koyano et al.

(10) **Patent No.:** **US D447,974 S**

(45) **Date of Patent:** **** Sep. 18, 2001**

(54) **PORTABLE GAS DETECTOR-ALARM**

D. 433,953 * 11/2000 Woznicki et al. D10/106

(75) Inventors: **Juniti Koyano; Shuji Tajima;**
Masahide Kitamura, all of Tokyo (JP)

* cited by examiner

Primary Examiner—Marcus A. Jackson

(73) Assignee: **Riken Keiki Co., Ltd.**, Tokyo (JP)

(74) *Attorney, Agent, or Firm*—Connolly Bove Lodge & Hutz

(**) Term: **14 Years**

(57) **CLAIM**

(21) Appl. No.: **29/131,205**

The ornamental design for a portable gas detector-alarm, as shown and described.

(22) Filed: **Oct. 17, 2000**

DESCRIPTION

(51) **LOC (7) Cl.** **10-05**

(52) **U.S. Cl.** **D10/106**

(58) **Field of Search** D10/104, 106,
D10/116, 121; 340/540, 545, 571, 572,
573, 627, 628, 629, 630

FIG. 1 and FIG. 2 are a perspective view showing the right and left sides of the article;

FIG. 3 is a front elevational view thereof;

FIG. 4 is a rear elevational view thereof.

FIG. 5 is a top plan view thereof;

FIG. 6 is a bottom view thereof;

FIG. 7 is a right side elevational view thereof; and,

FIG. 8 is a left side elevational view thereof.

(56) **References Cited**

U.S. PATENT DOCUMENTS

D. 399,157 * 10/1998 Hsu et al. D10/106

1 Claim, 4 Drawing Sheets

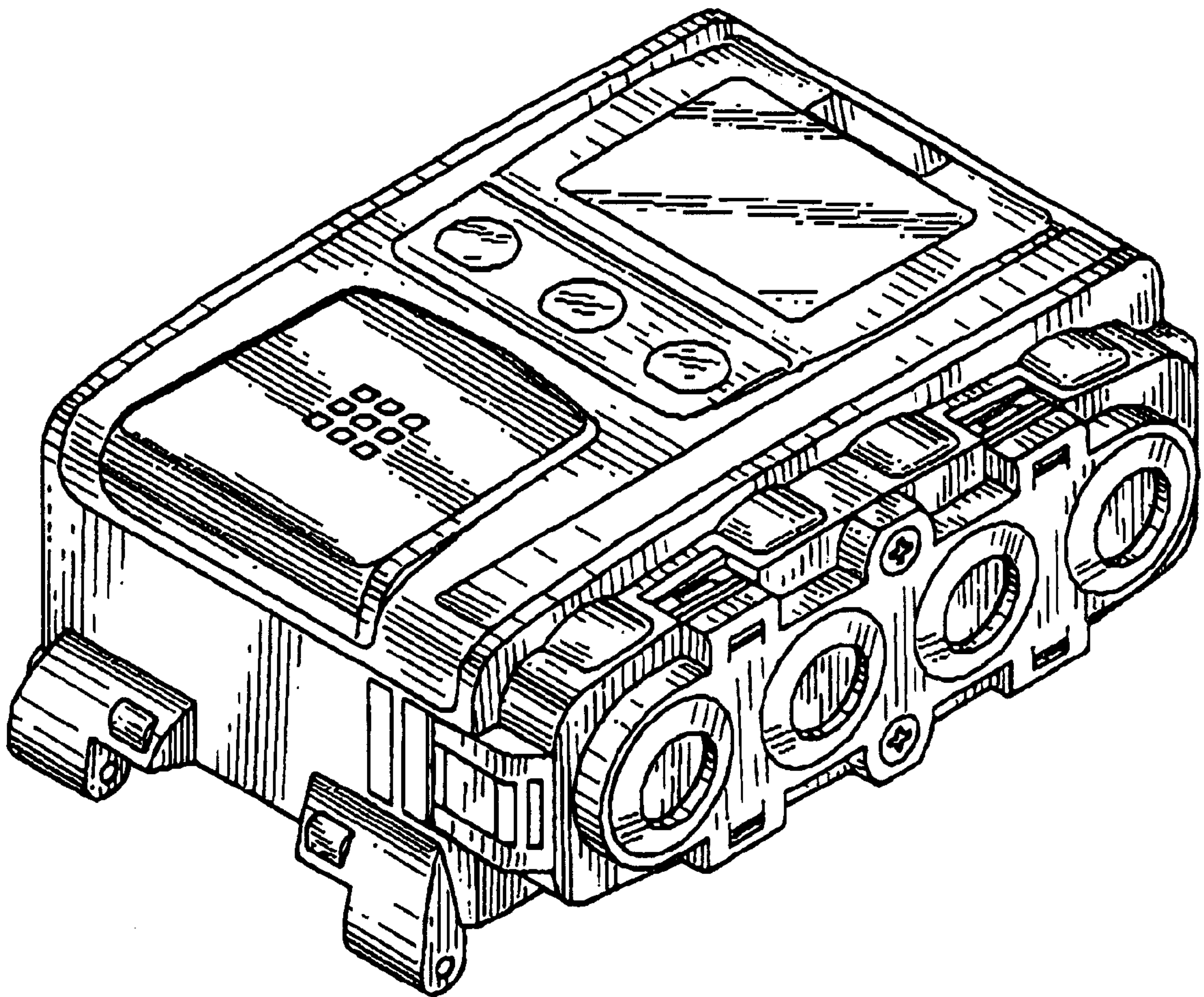


FIG.1

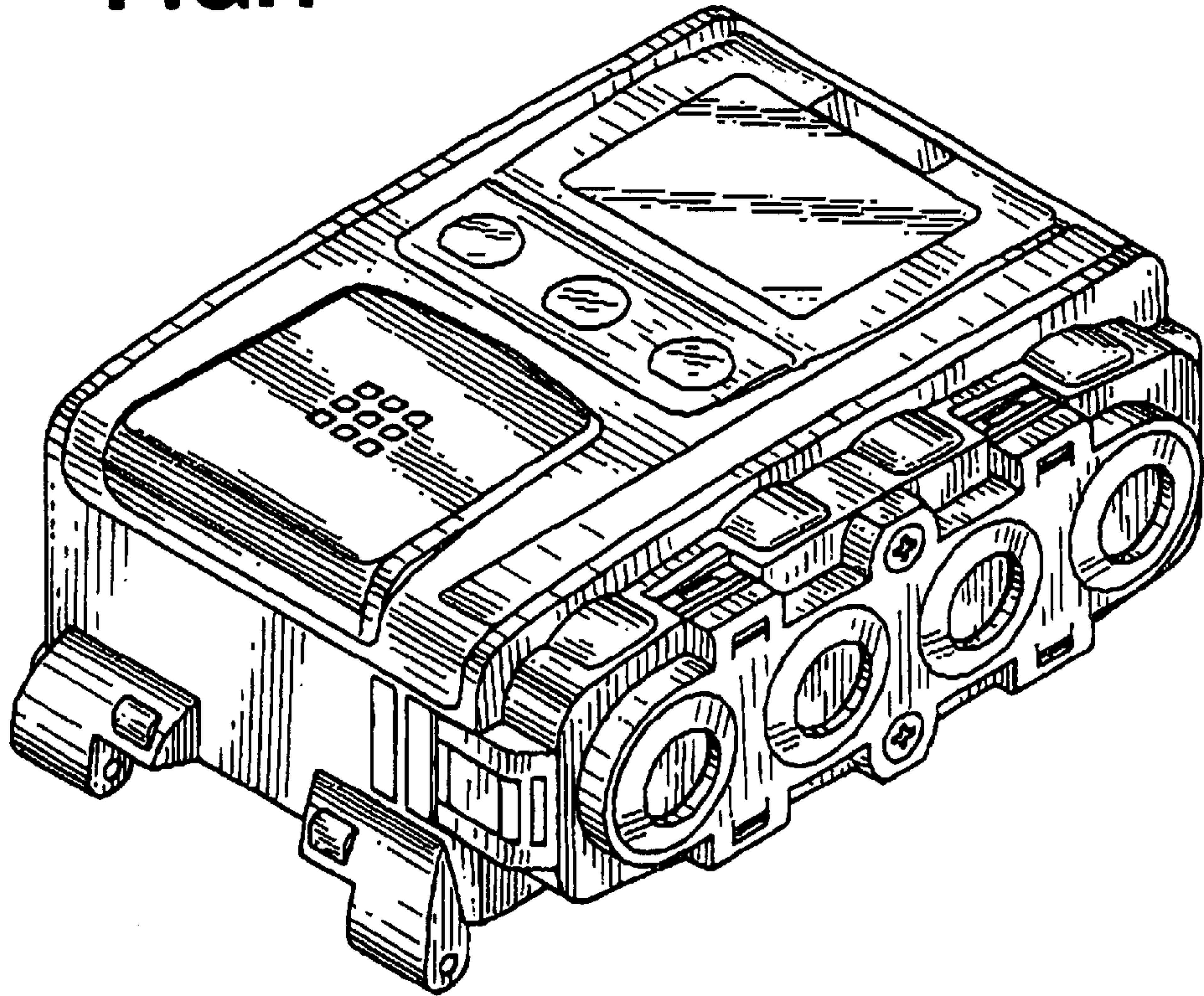


FIG.2

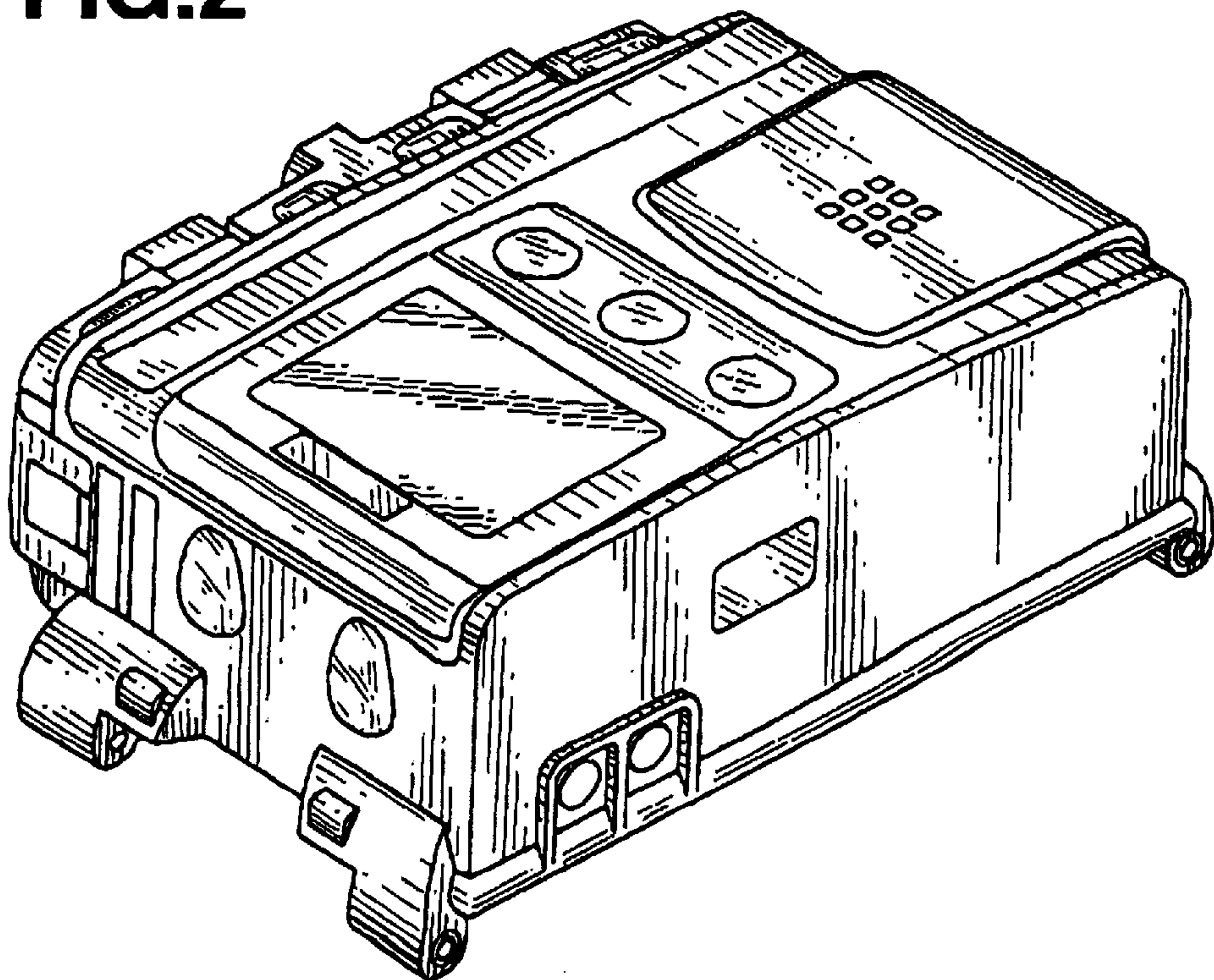


FIG.3

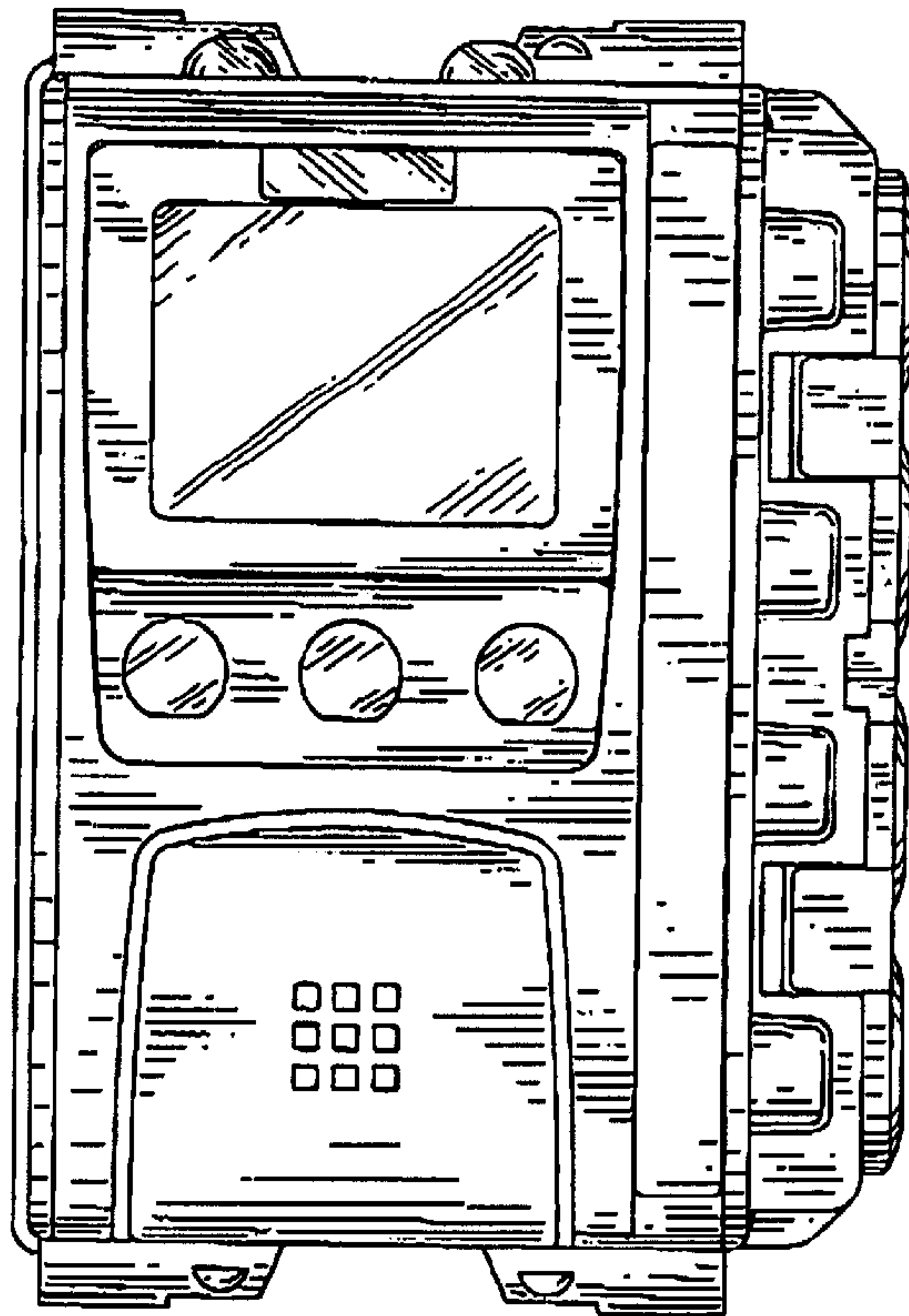


FIG.4

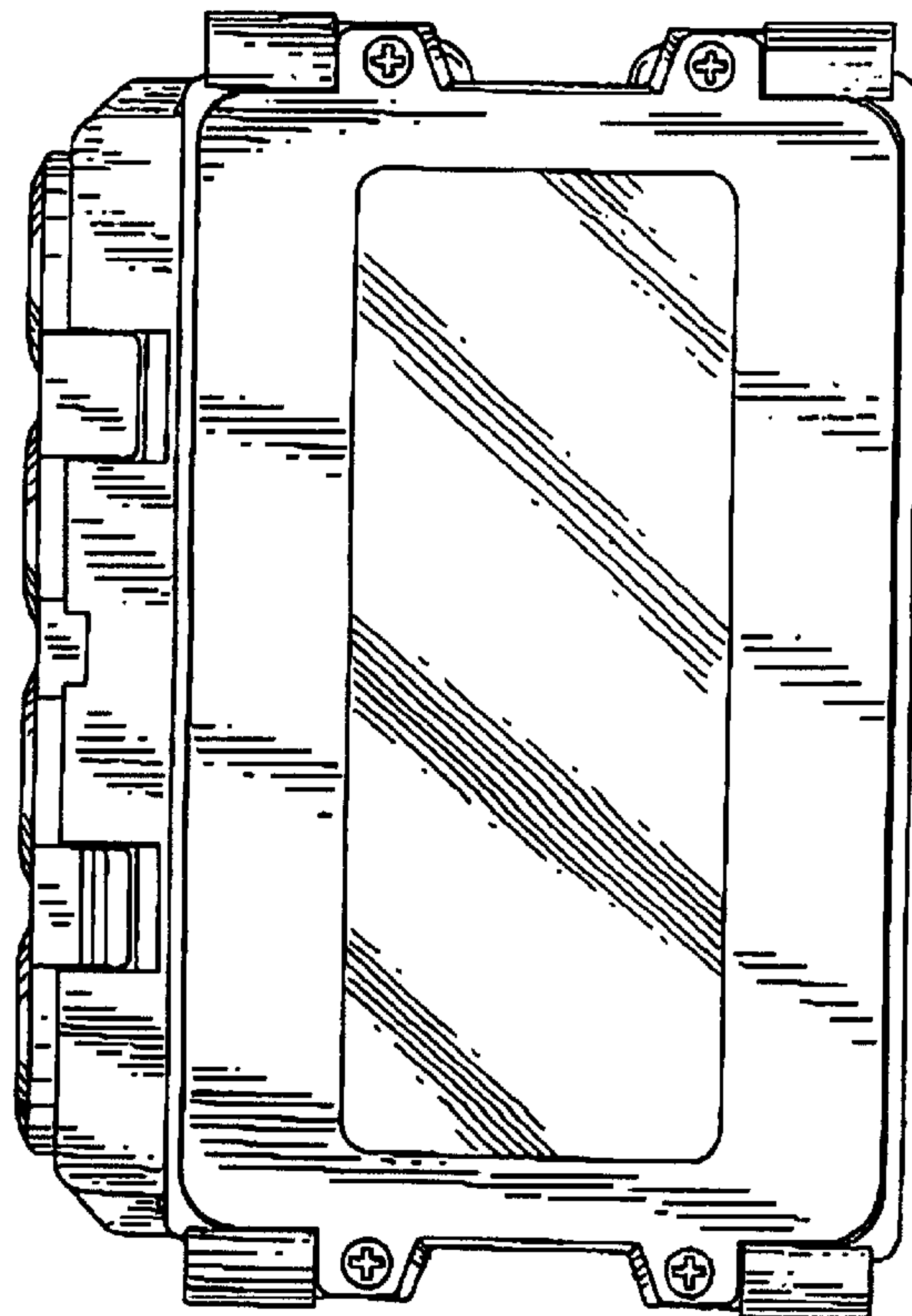


FIG.5

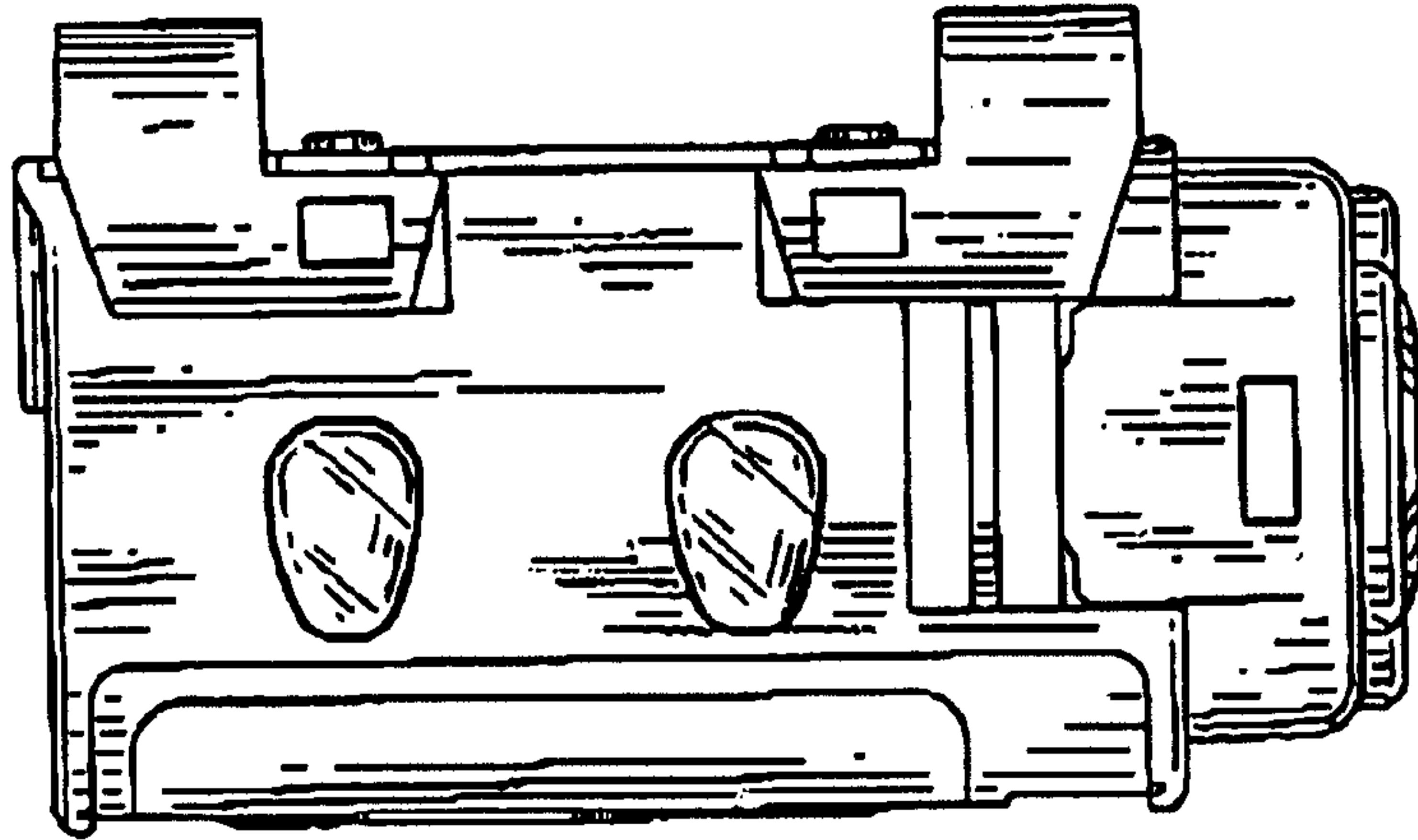


FIG.6

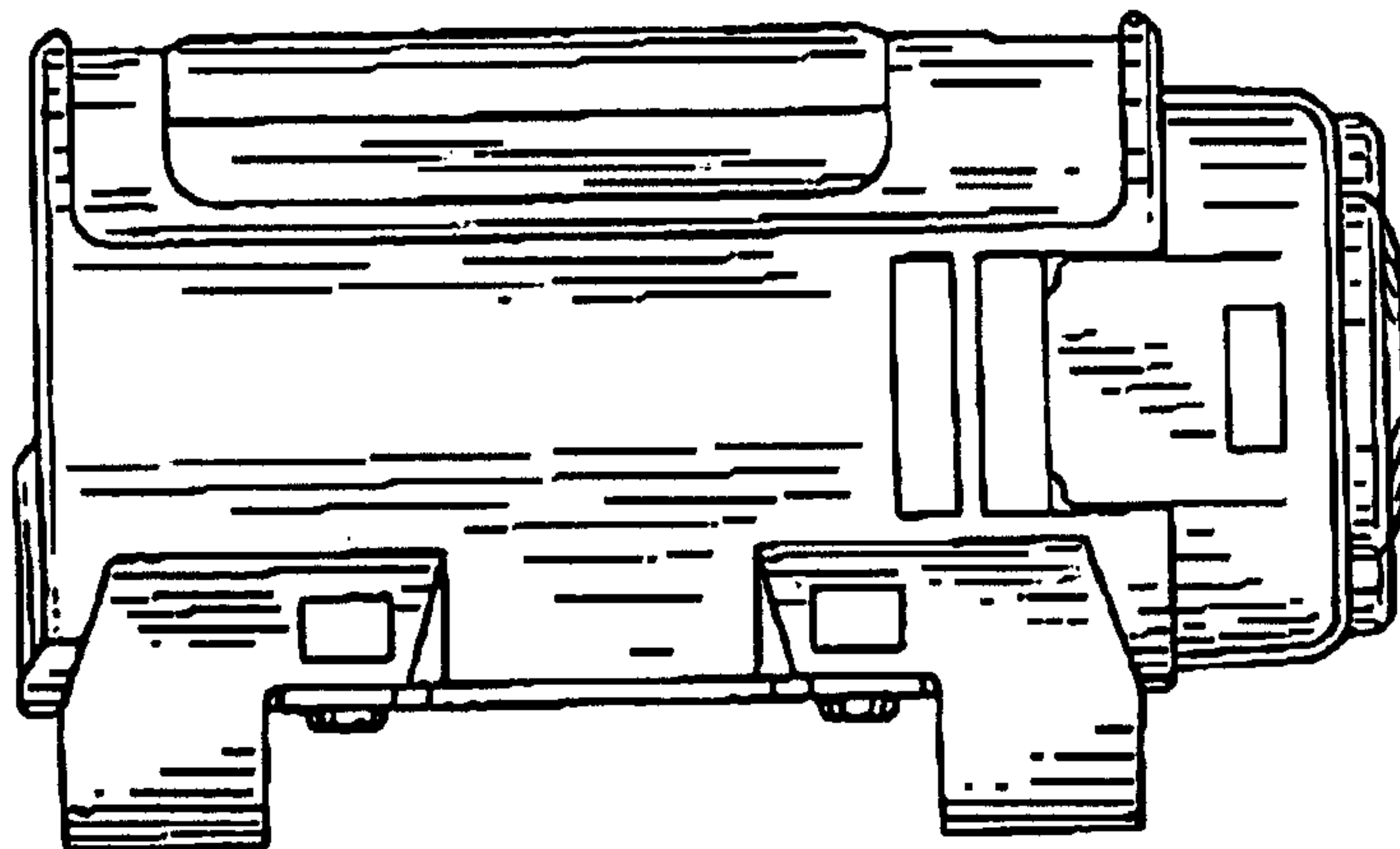


FIG.8

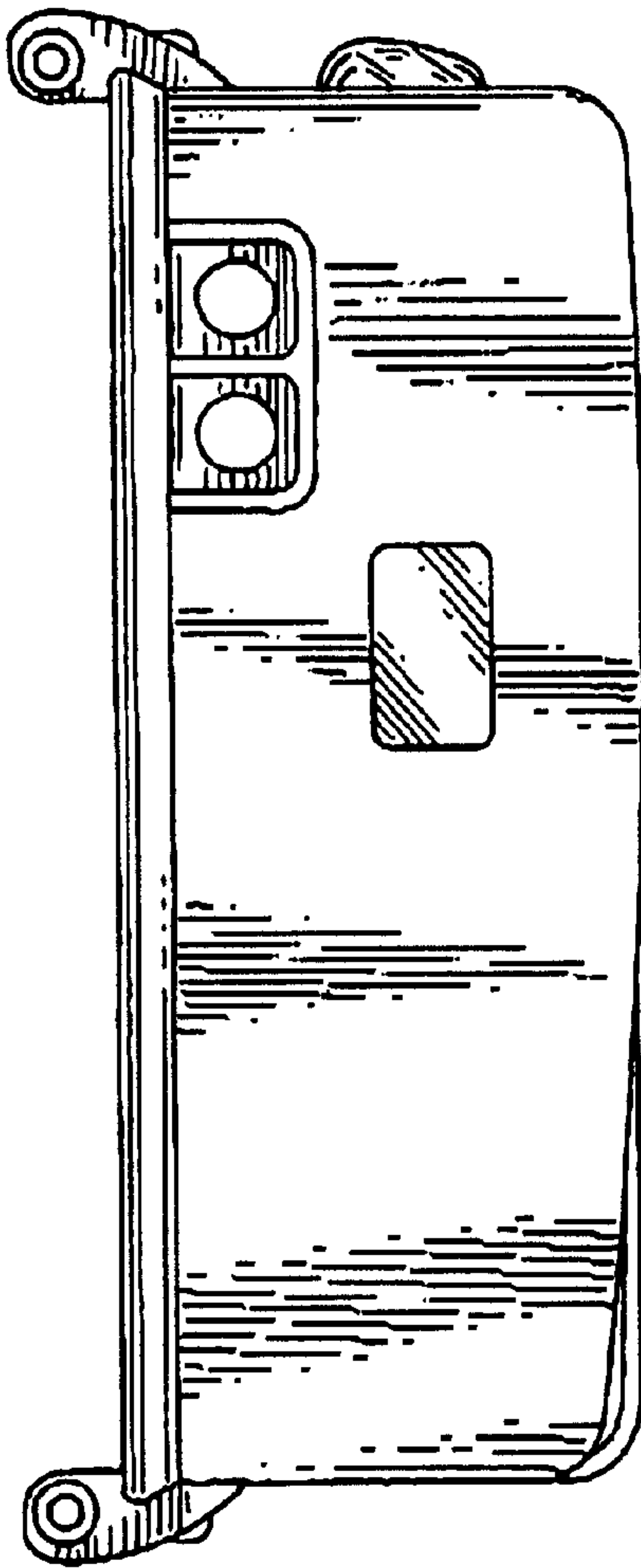


FIG.7

