



US00D447973B1

(12) **United States Design Patent**
Dohrmann

(10) **Patent No.:** **US D447,973 S**

(45) **Date of Patent:** **** Sep. 18, 2001**

(54) **FIVE SIDED PYRAMID ALARM UNIT**

(75) Inventor: **Anthony Dohrmann**, Huntsville, AL (US)

(73) Assignee: **Dohrmann Industries, Inc.**, Carlsbad, CA (US)

(**) Term: **14 Years**

(21) Appl. No.: **29/131,029**

(22) Filed: **Oct. 13, 2000**

(51) **LOC (7) Cl.** **10-05**

(52) **U.S. Cl.** **D10/106**

(58) **Field of Search** D10/104, 106,
D10/116, 121; D13/158; 250/221, 341;
340/540, 591, 592, 593

(56) **References Cited**

U.S. PATENT DOCUMENTS

D. 339,107 * 9/1993 Van Genechten D13/158

D. 425,811 * 5/2000 Dohrmann D10/106

* cited by examiner

Primary Examiner—Marcus A. Jackson

(74) *Attorney, Agent, or Firm*—Jones, Waldo, Holbrook & McDonough; Michael W. Starkweather

(57) **CLAIM**

The ornamental design for a five sided pyramid alarm unit, as shown and described.

DESCRIPTION

FIG. 1 shows a front and side perspective view illustrating a rounded light emitting diode array above an infrared sensor;

FIG. 2 shows a rear perspective view illustrating a top light, a middle panic button, and a lower speaker hole grid that is on an opposite side to that shown in FIG. 1,

FIG. 3 shows a front elevational view;

FIG. 4 shows a side and back elevational view;

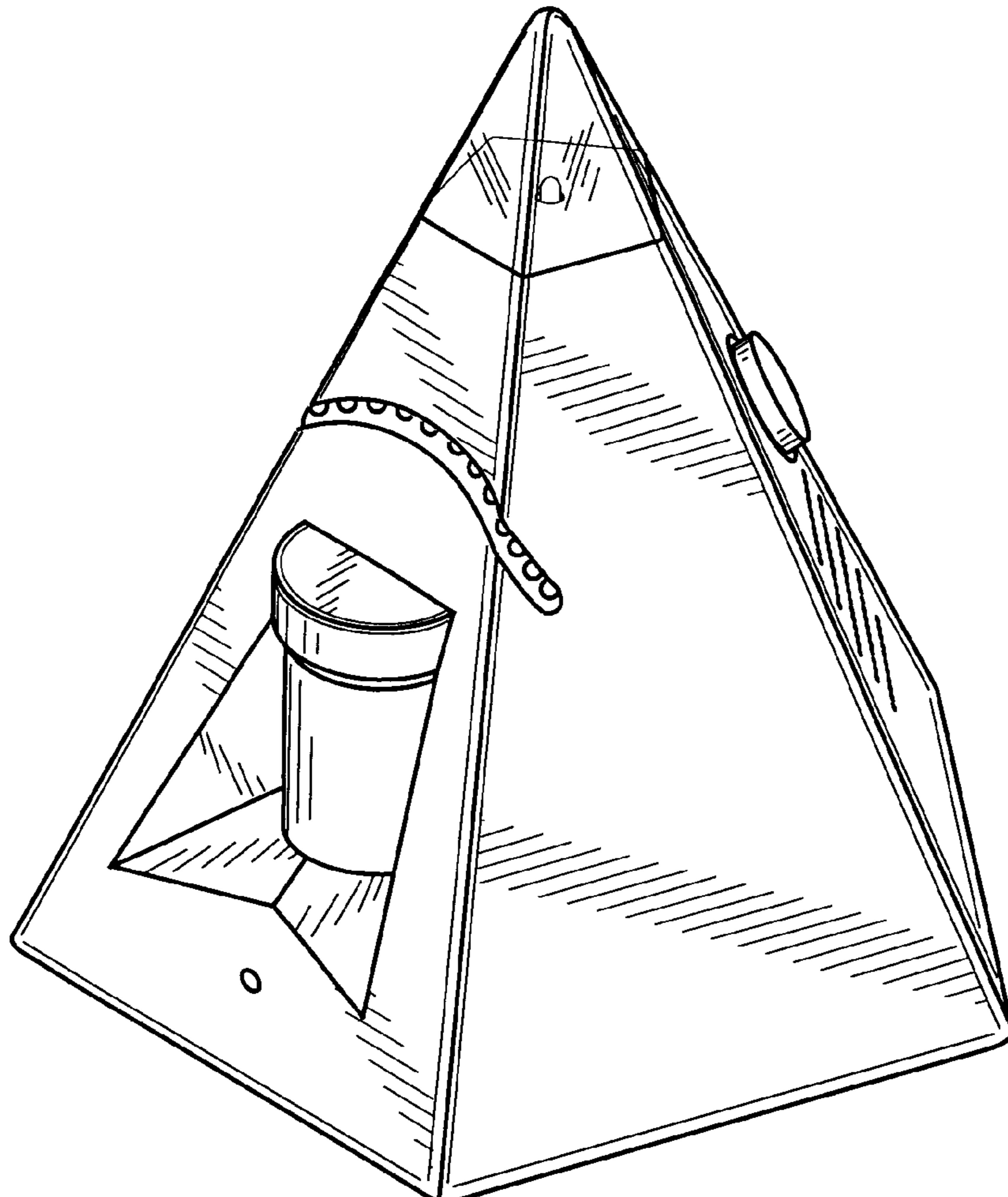
FIG. 5 shows a side and back elevational view;

FIG. 6 shows a side and back elevational view;

FIG. 7 shows a top plan view; and,

FIG. 8 shows a bottom plan view.

1 Claim, 2 Drawing Sheets



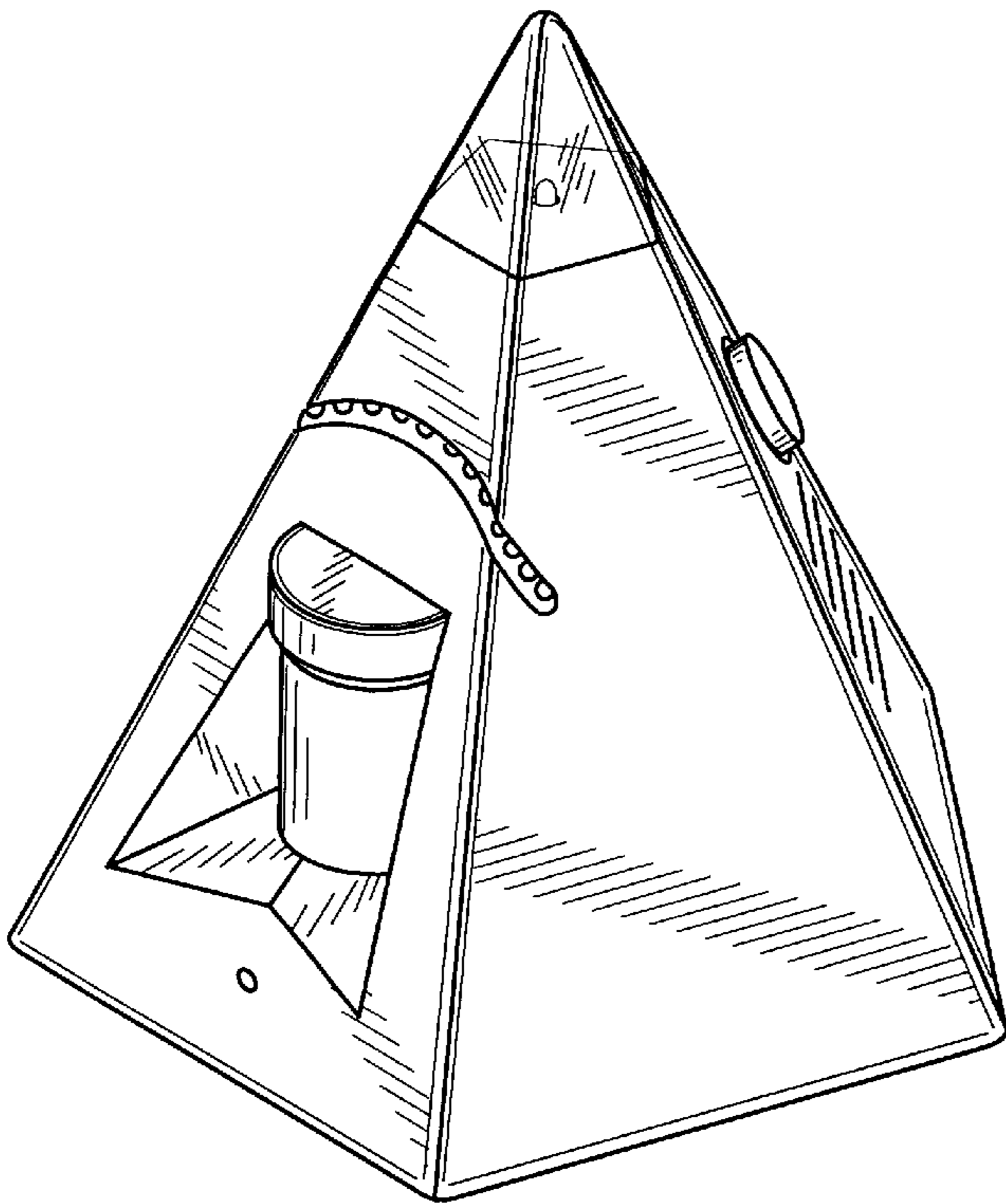


Fig. 1

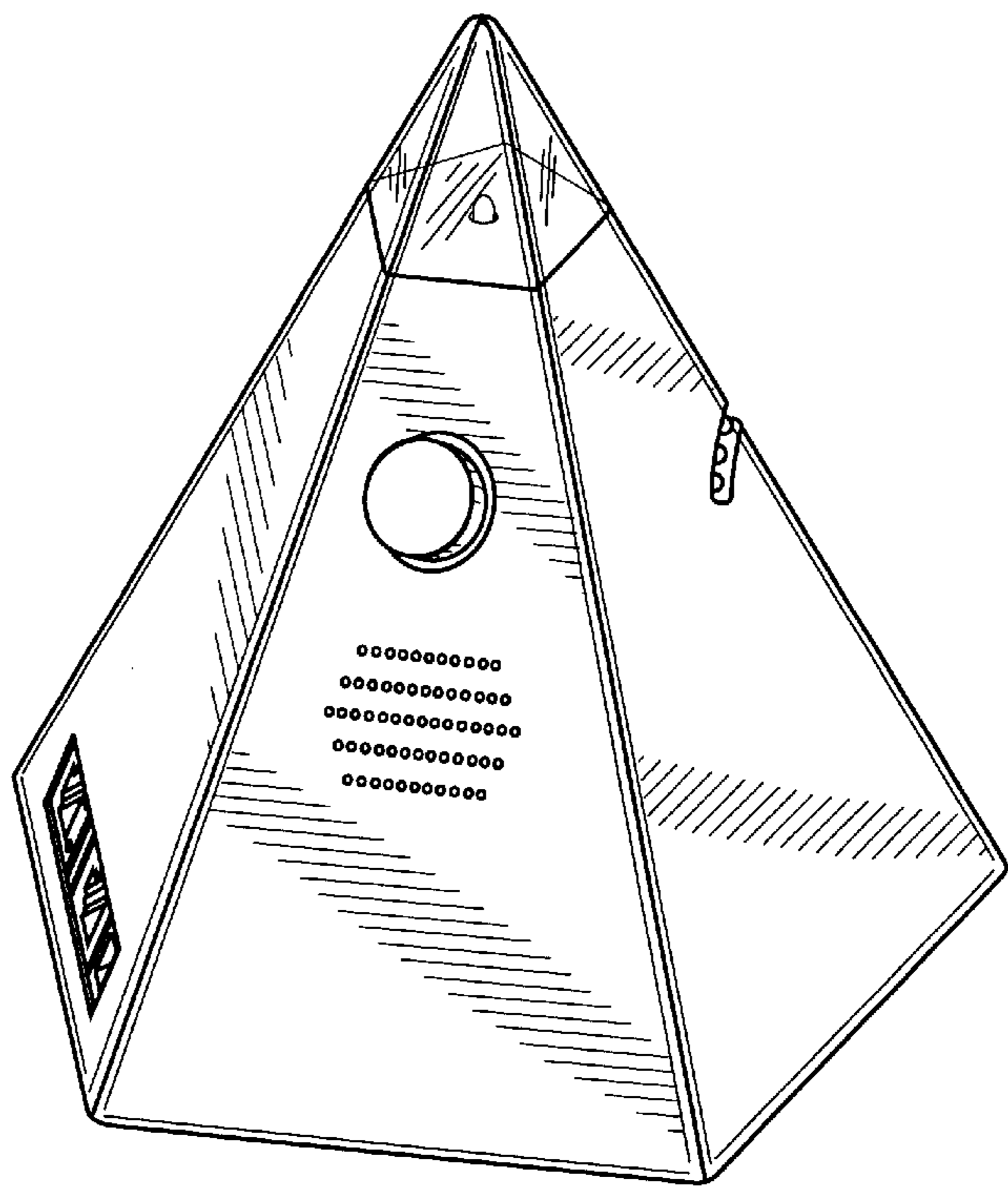


Fig. 2

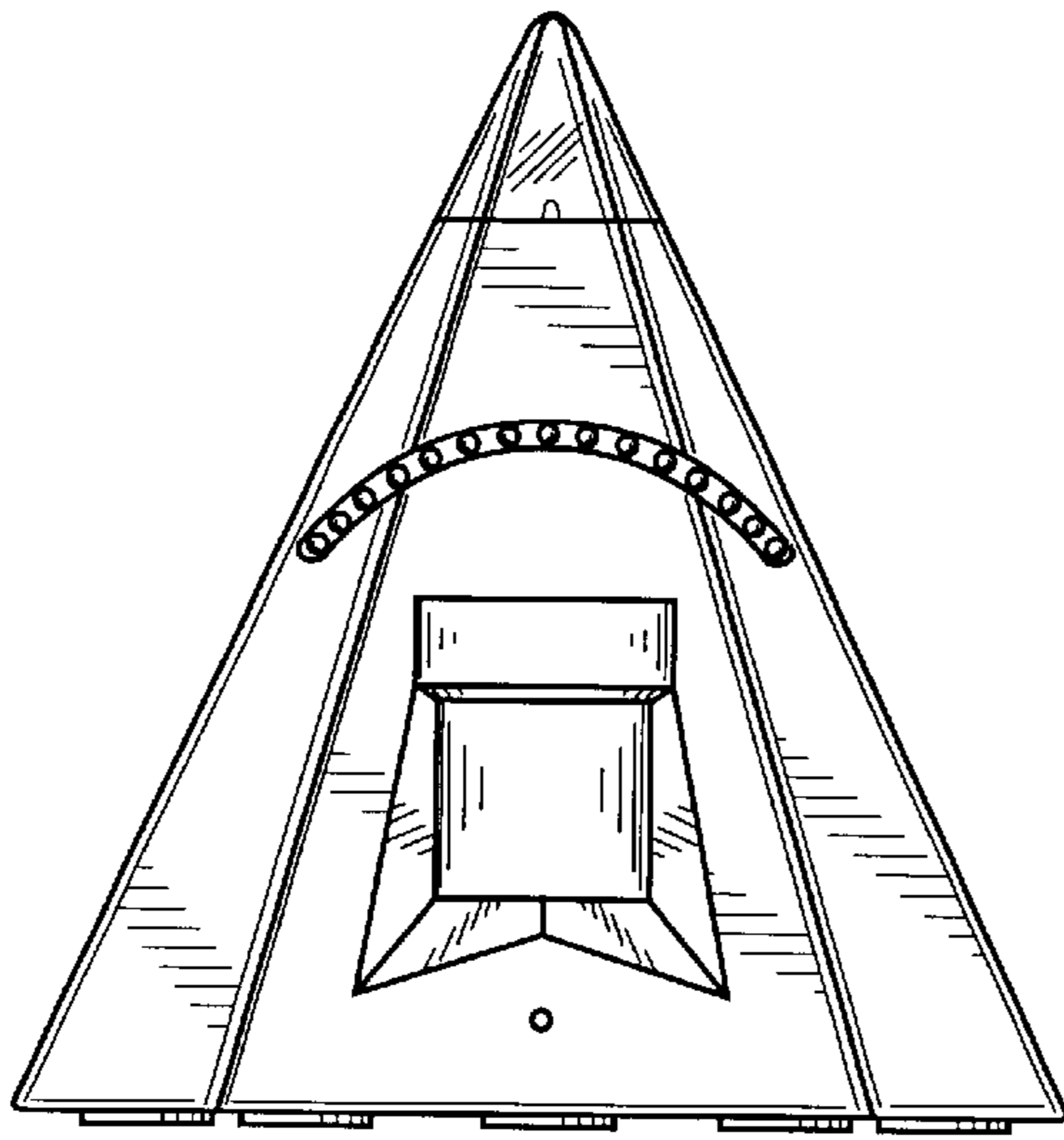


Fig. 3

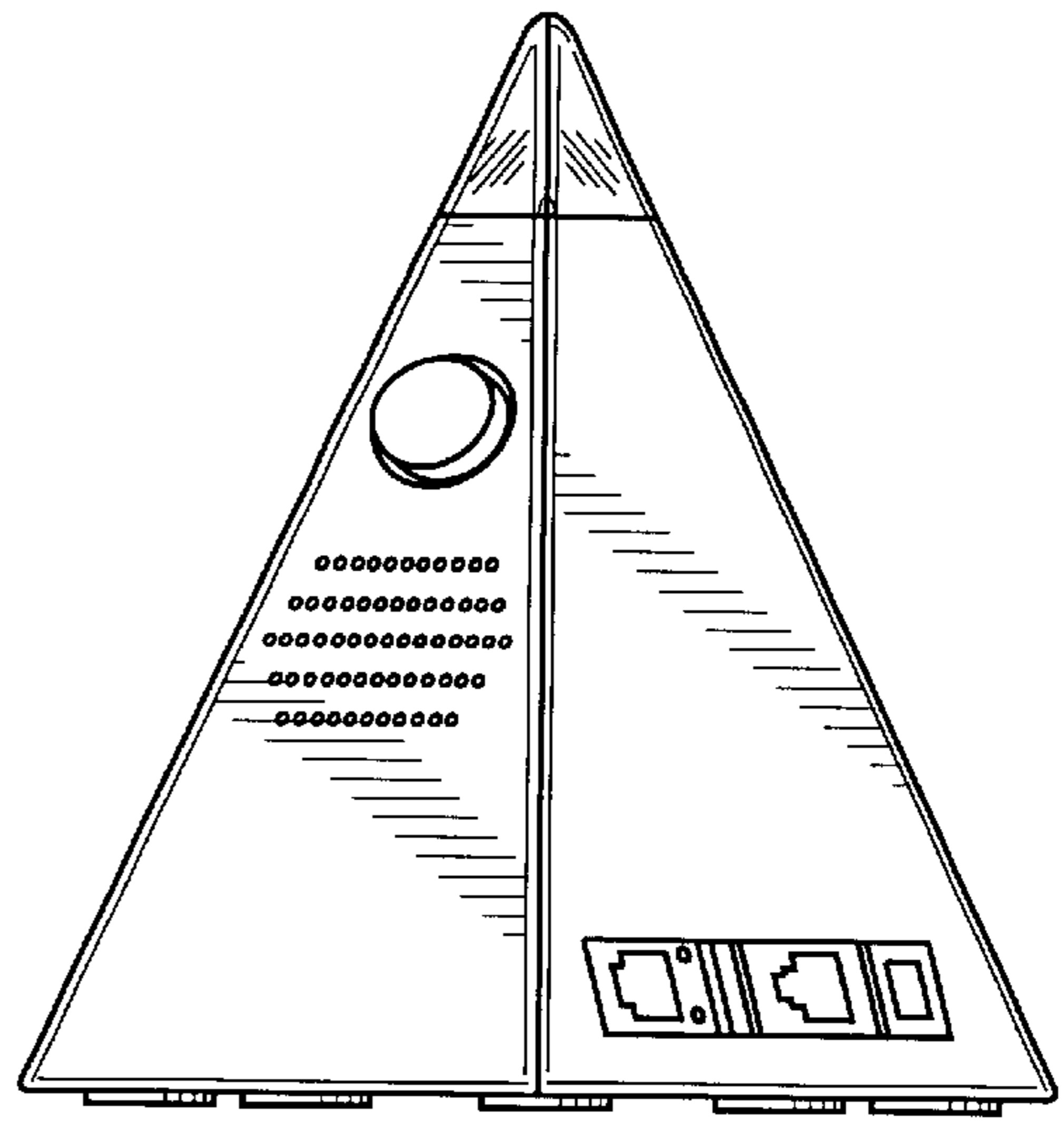


Fig. 4

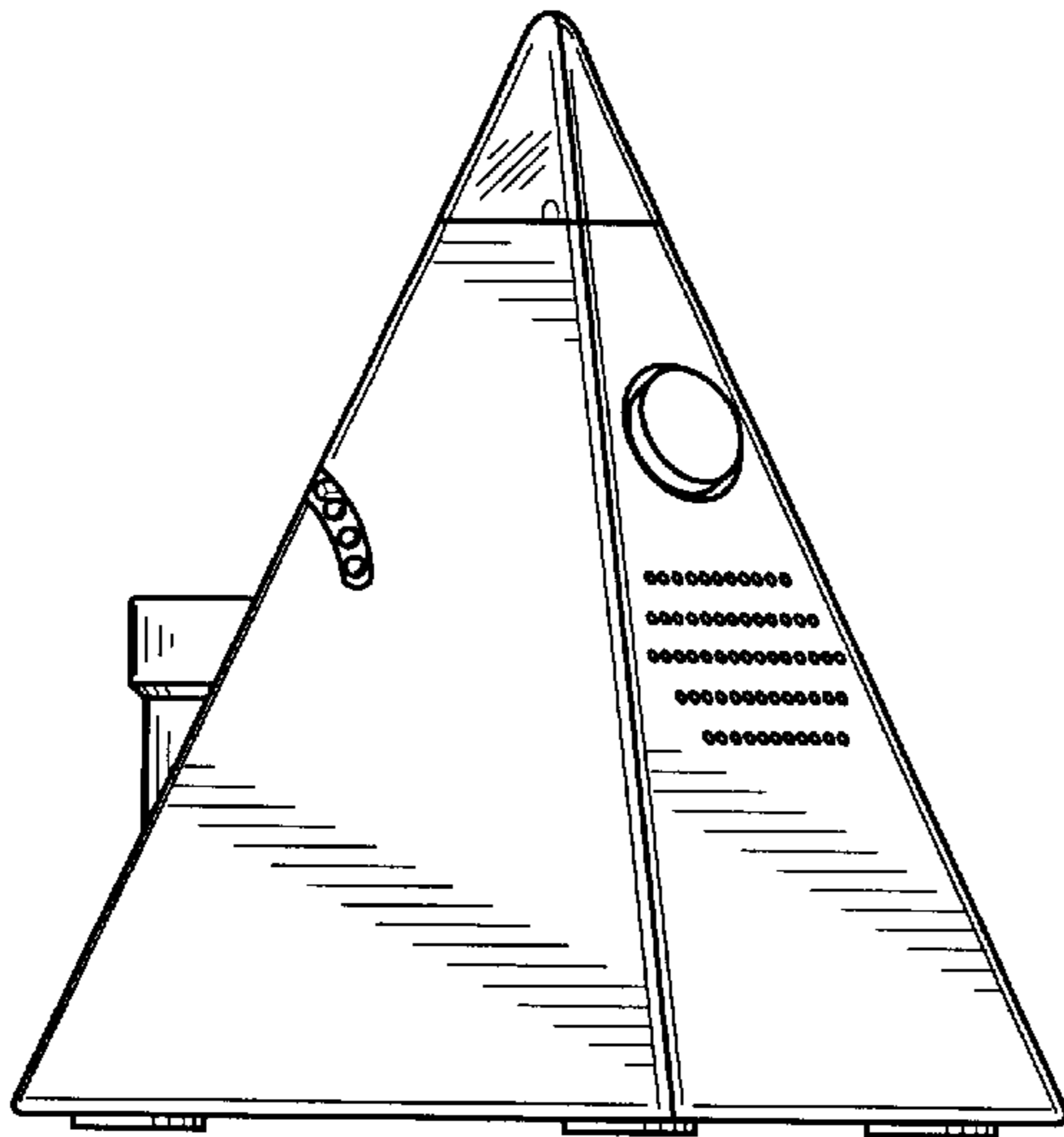


Fig. 5

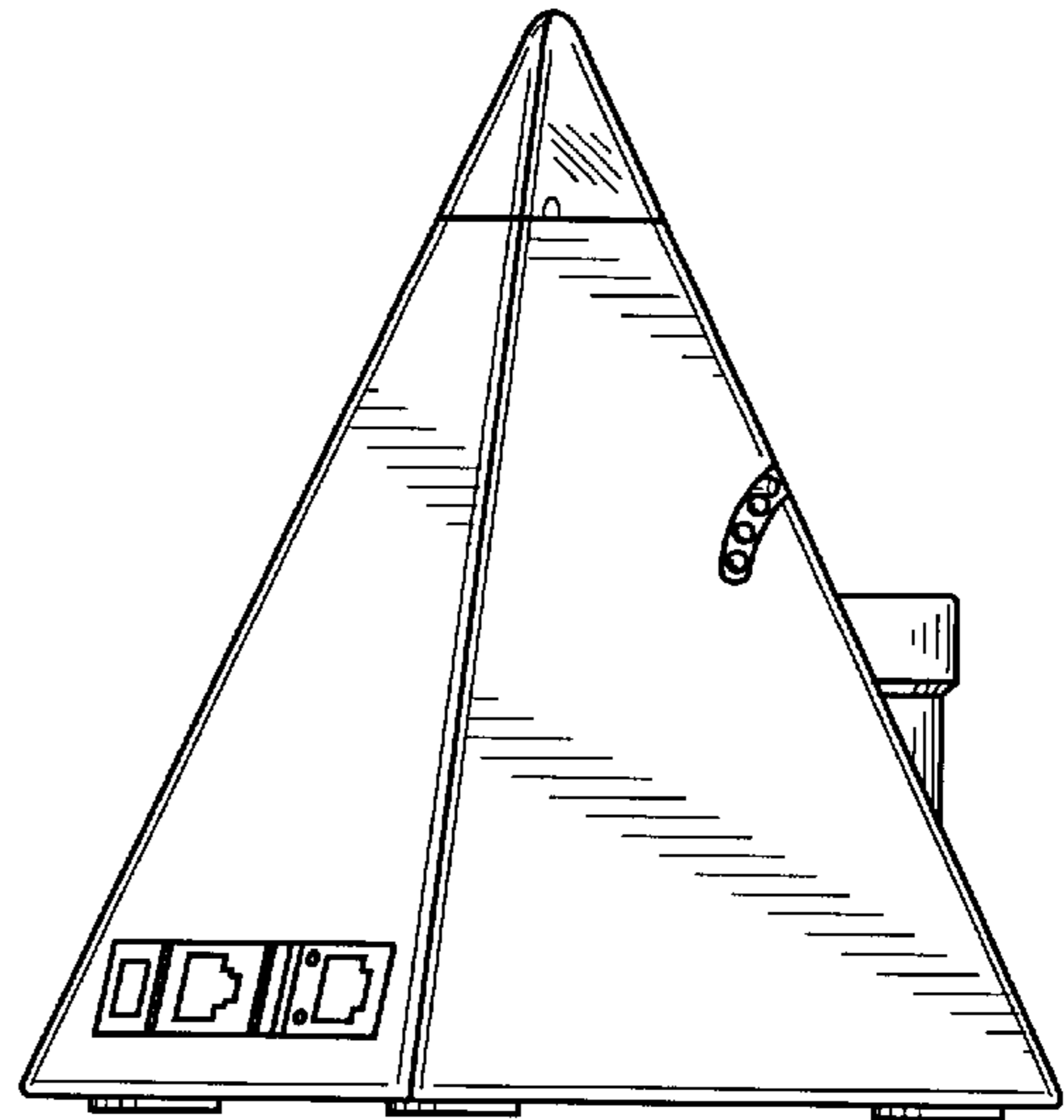


Fig. 6

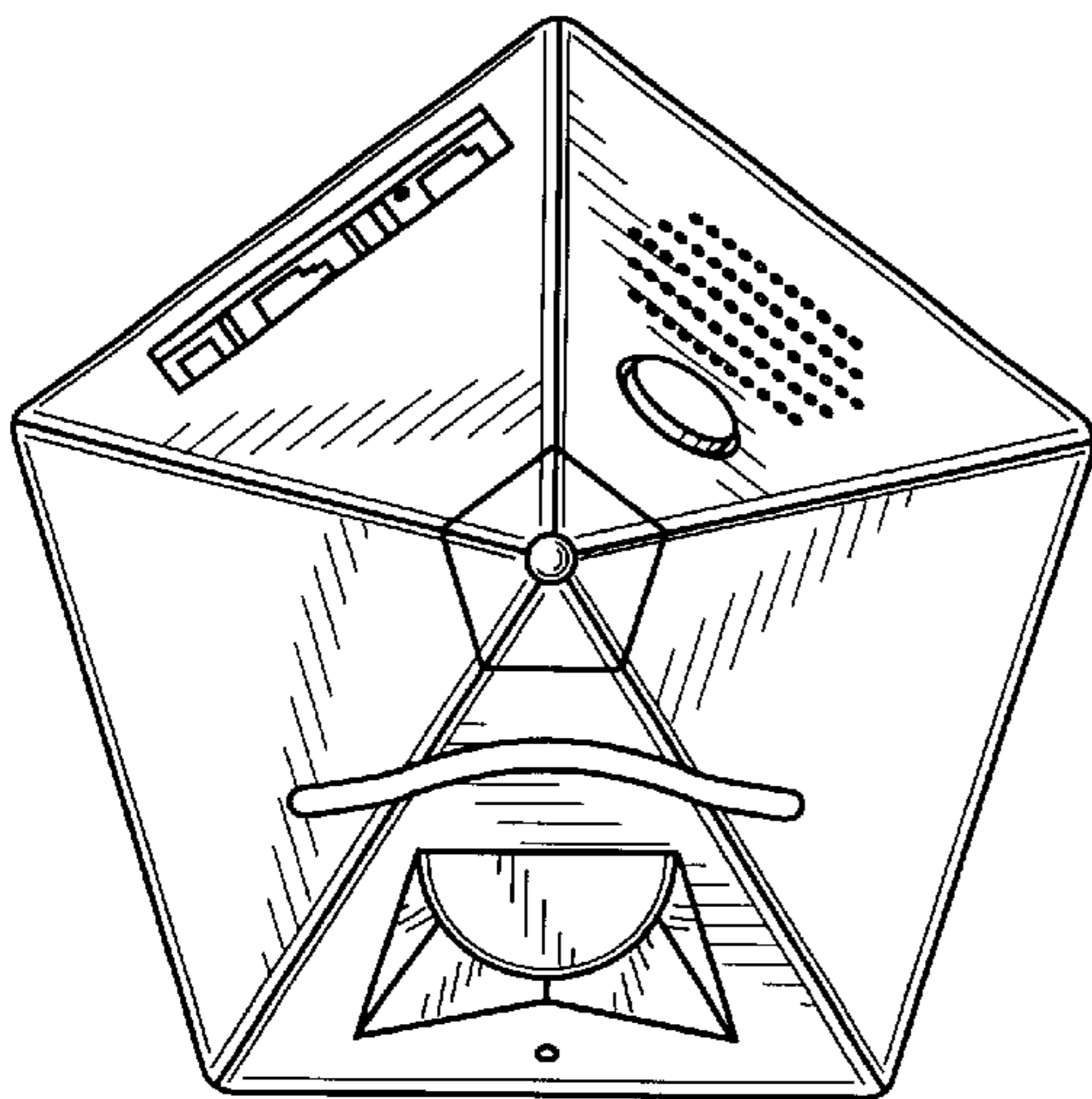


Fig. 7

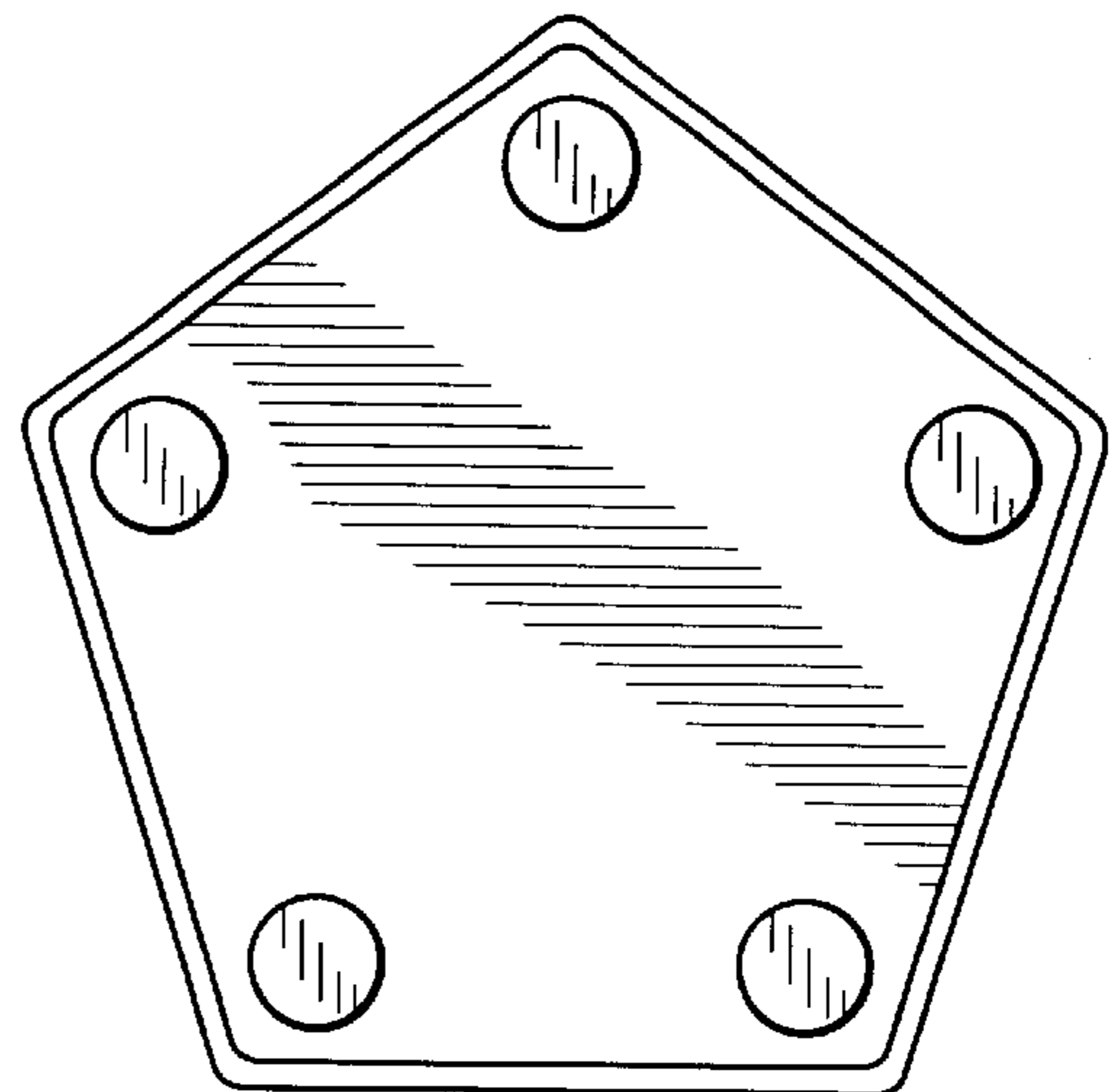


Fig. 8