



US00D447969B1

(12) **United States Design Patent**
Shimomoto et al.

(10) **Patent No.:** **US D447,969 S**

(45) **Date of Patent:** **** Sep. 18, 2001**

(54) **PRESSURE DETECTING SENSOR**

5,602,524 * 2/1997 Mock et al. 340/447
5,859,889 * 1/1999 Long 377/8

(75) Inventors: **Yutaka Shimomoto**, Ryugasaki;
Haruhiko Okuno, Koshigaya;
Tomoyuki Okuyama, Toride, all of
(JP)

* cited by examiner

Primary Examiner—Antoine Duval Davis
(74) *Attorney, Agent, or Firm*—Frishauf, Holtz, Goodman,
Langer & Chick, P.C.

(73) Assignee: **SMC Kabushiki Kaisha**, Tokyo (JP)

(**) Term: **14 Years**

(57) **CLAIM**

(21) Appl. No.: **29/132,634**

The ornamental design for a pressure detecting sensor, as shown.

(22) Filed: **Nov. 13, 2000**

DESCRIPTION

(30) **Foreign Application Priority Data**

May 15, 2000 (JP) 12-012614

FIG. 1 is a top, front and right side perspective view of a pressure detecting sensor showing our new design;

(51) **LOC (7) Cl.** **10-04**

FIG. 2 is a front view thereof, the rear view being a mirror image of the front view;

(52) **U.S. Cl.** **D10/85**

(58) **Field of Search** D10/85; 377/8;
340/447, 825.54; 73/146.5; 200/61.22

FIG. 3 is a top plan view thereof, the bottom plan view being an identical image of the top plan view;

FIG. 4 is a left side view thereof; and,

FIG. 5 is a right side view thereof.

(56) **References Cited**

U.S. PATENT DOCUMENTS

D. 333,993 * 3/1993 Chauvette D10/85

1 Claim, 1 Drawing Sheet

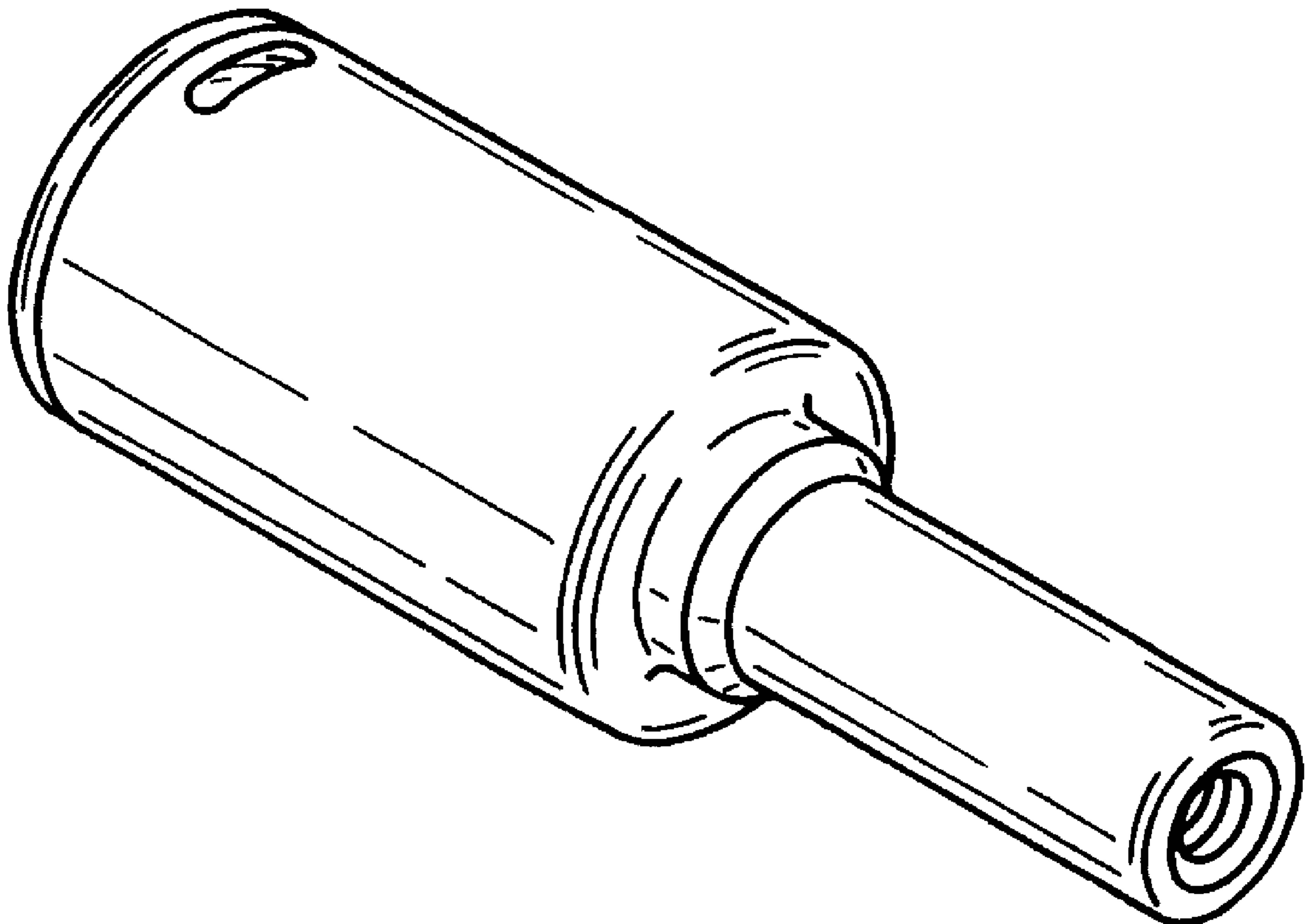


FIG. 1

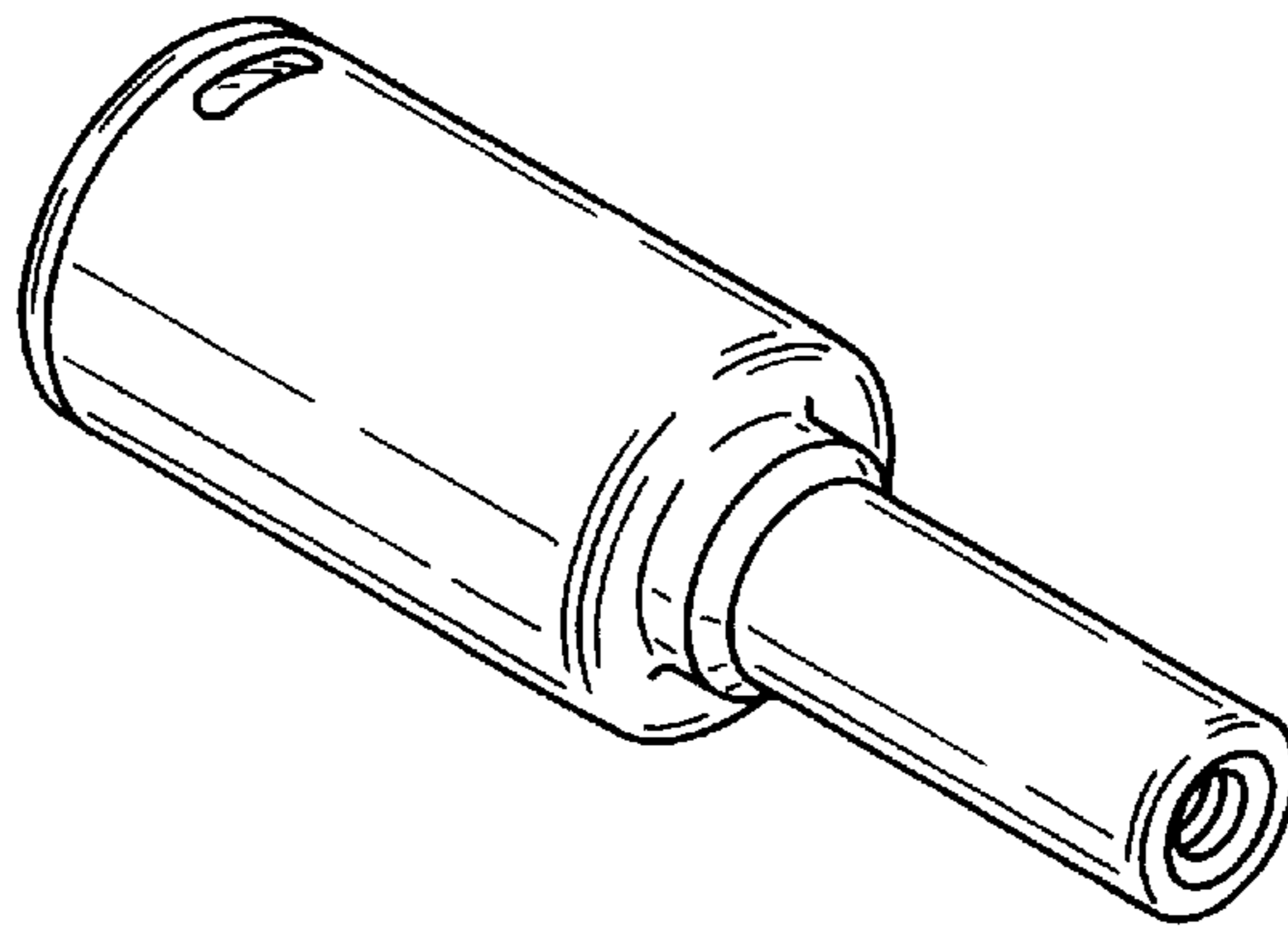


FIG. 2

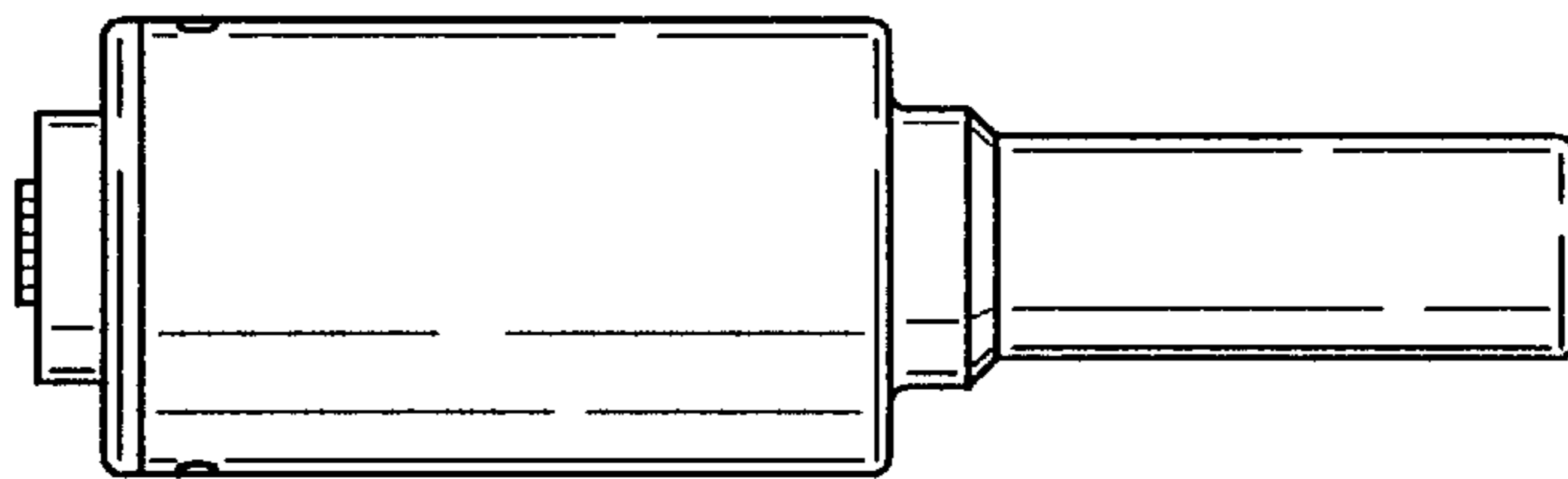


FIG. 3

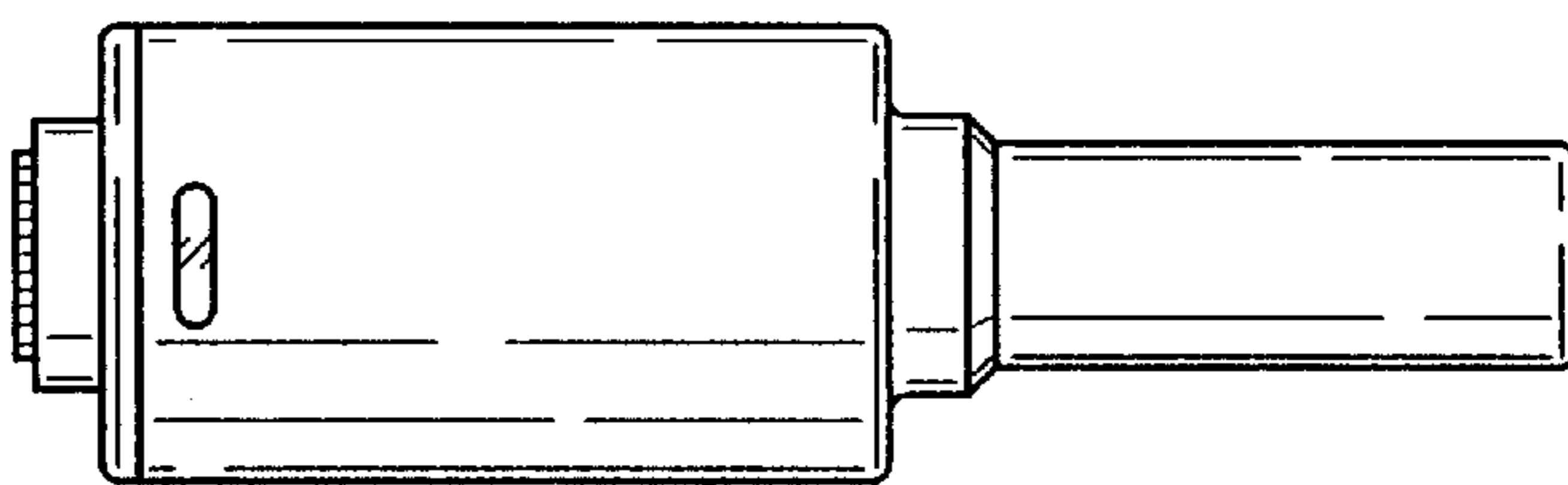


FIG. 4

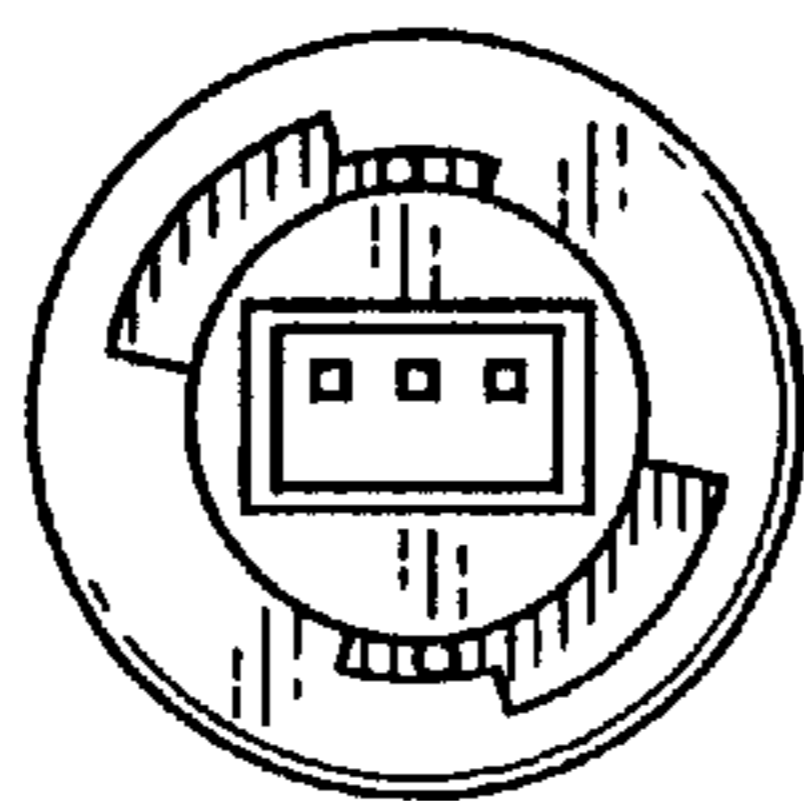


FIG. 5

