



US00D447952B1

(12) **United States Design Patent**
Valkovich

(10) **Patent No.:** **US D447,952 S**

(45) **Date of Patent:** **** Sep. 18, 2001**

(54) **BOTTLE HOLDER**

(76) Inventor: **Maria Agneza Valkovich**, 7945 - 116th
Street, Delta, British Columbia (CA),
V4C 5TZ

(**) Term: **14 Years**

(21) Appl. No.: **29/130,439**

(22) Filed: **Oct. 3, 2000**

(51) **LOC (7) Cl.** **09-07**

(52) **U.S. Cl.** **D9/455**

(58) **Field of Search** D9/344, 455; D7/619,
D7/620, 622; 206/139, 162, 199, 200, 201;
294/87.2, 87.26, 159

(56) **References Cited**

U.S. PATENT DOCUMENTS

D. 408,277 * 4/1999 Erickson D9/344
5,199,562 * 4/1993 Adami et al. 206/151
5,346,271 * 9/1994 Erickson 294/87.2

5,443,298 * 8/1995 Finley et al. 294/87.2
5,480,204 * 1/1996 Erickson 294/159
5,707,096 * 1/1998 Gregory 294/87.2
6,076,874 * 6/2000 Lovette 294/87.2
6,098,933 * 8/2000 Stein 248/99

* cited by examiner

Primary Examiner—Cathron C. Brooks

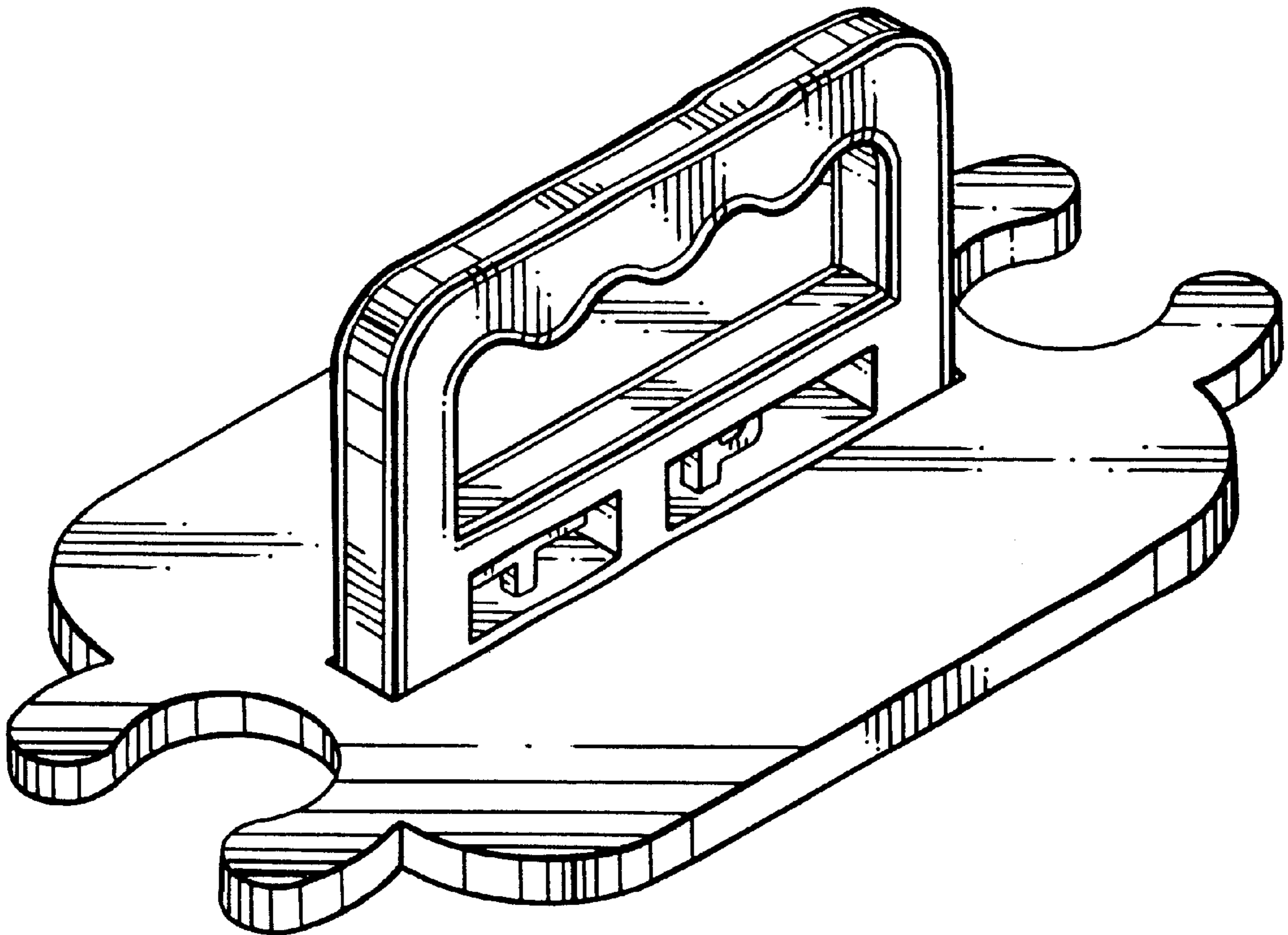
(57) **CLAIM**

The ornamental design for a bottle holder, as shown an described.

DESCRIPTION

FIG. 1 is a view in perspective showing the new design;
FIG. 2 is a top plan view thereof;
FIGS. 3 and 5 are views in elevation of the front and rear
thereof, respectively;
FIG. 4 is an underneath plan view thereof; and,
FIGS. 6 and 7 are views in elevation of the left and
right-hand sides thereof, respectively.

1 Claim, 3 Drawing Sheets



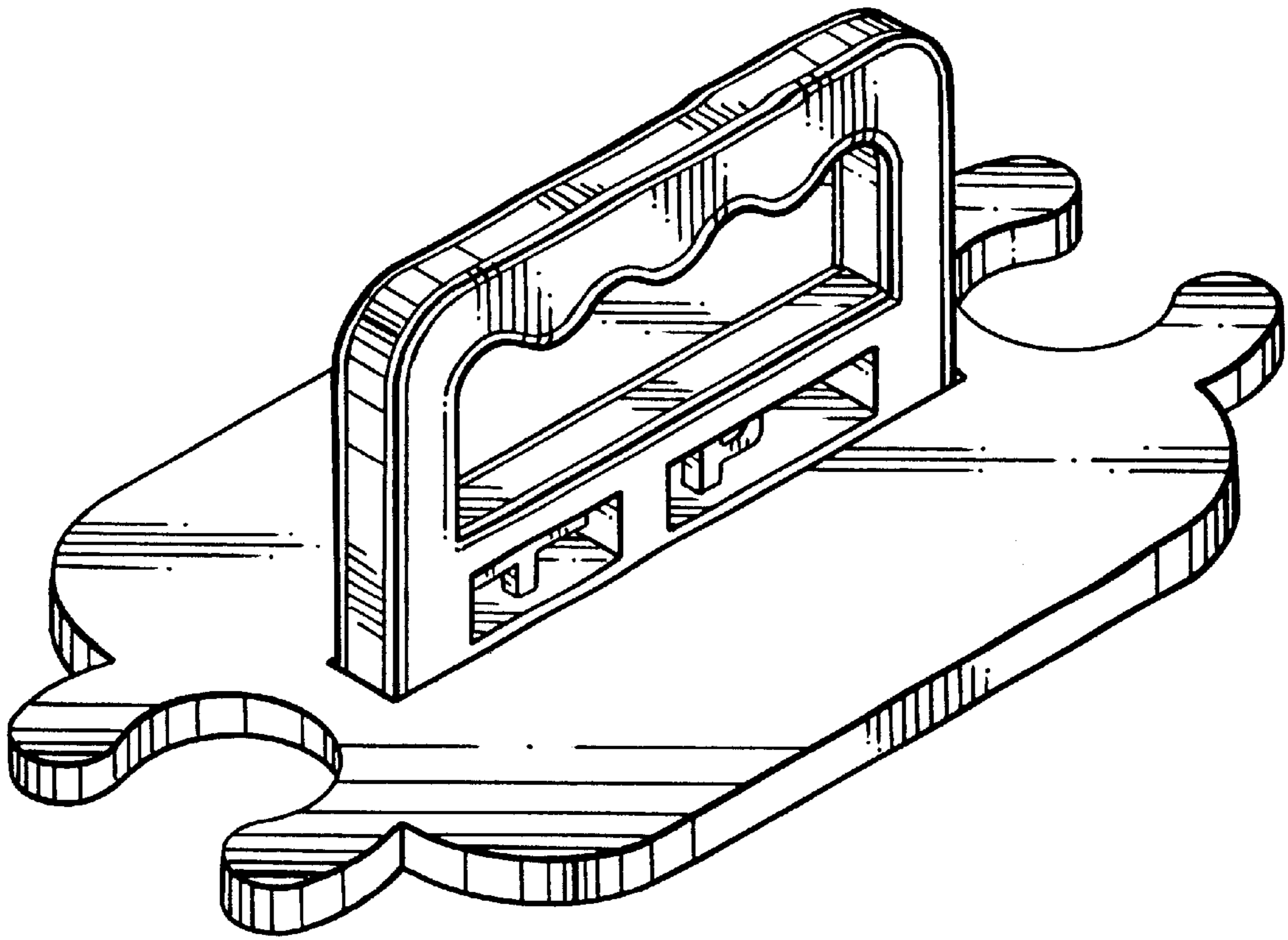


FIG. 1

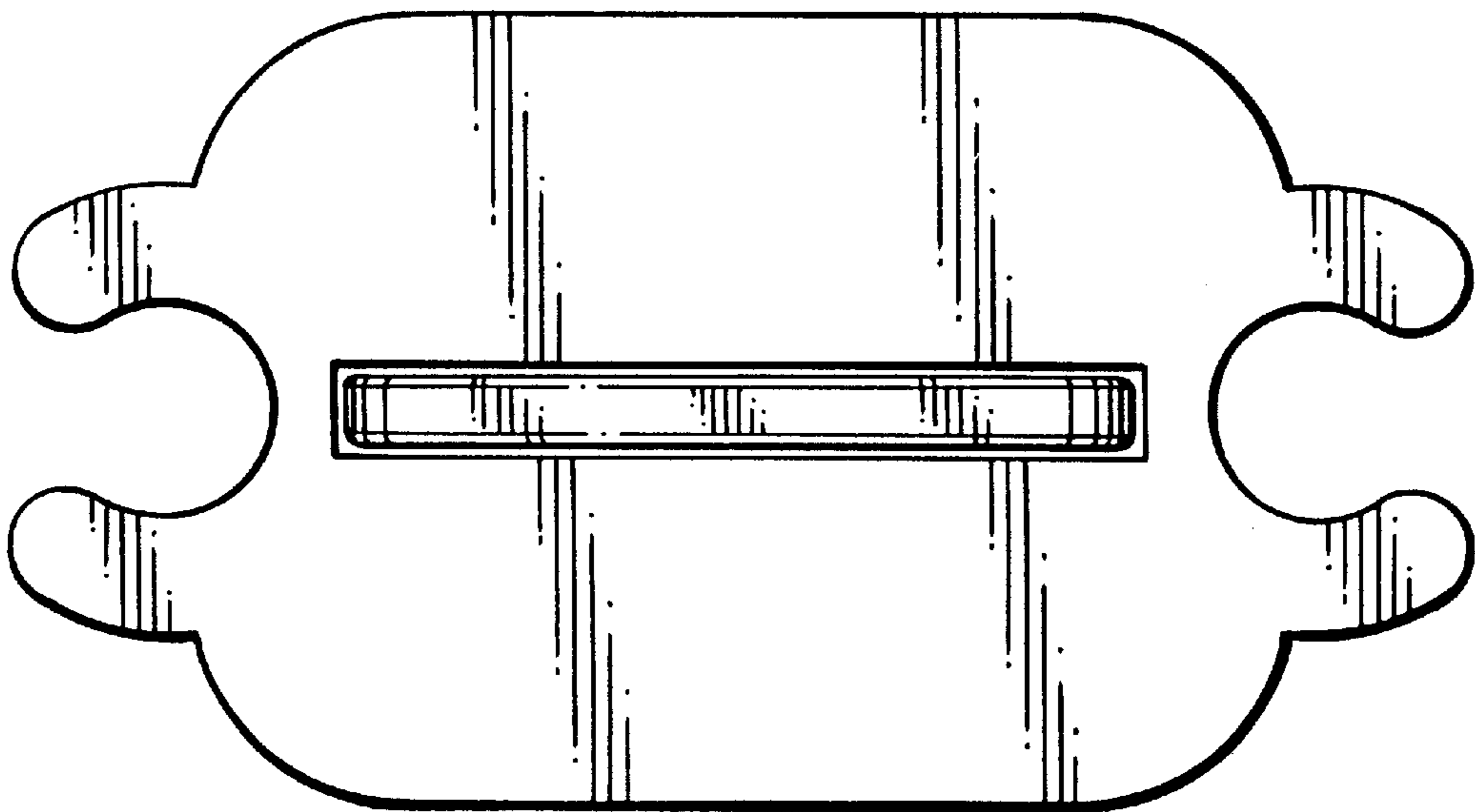


FIG. 2

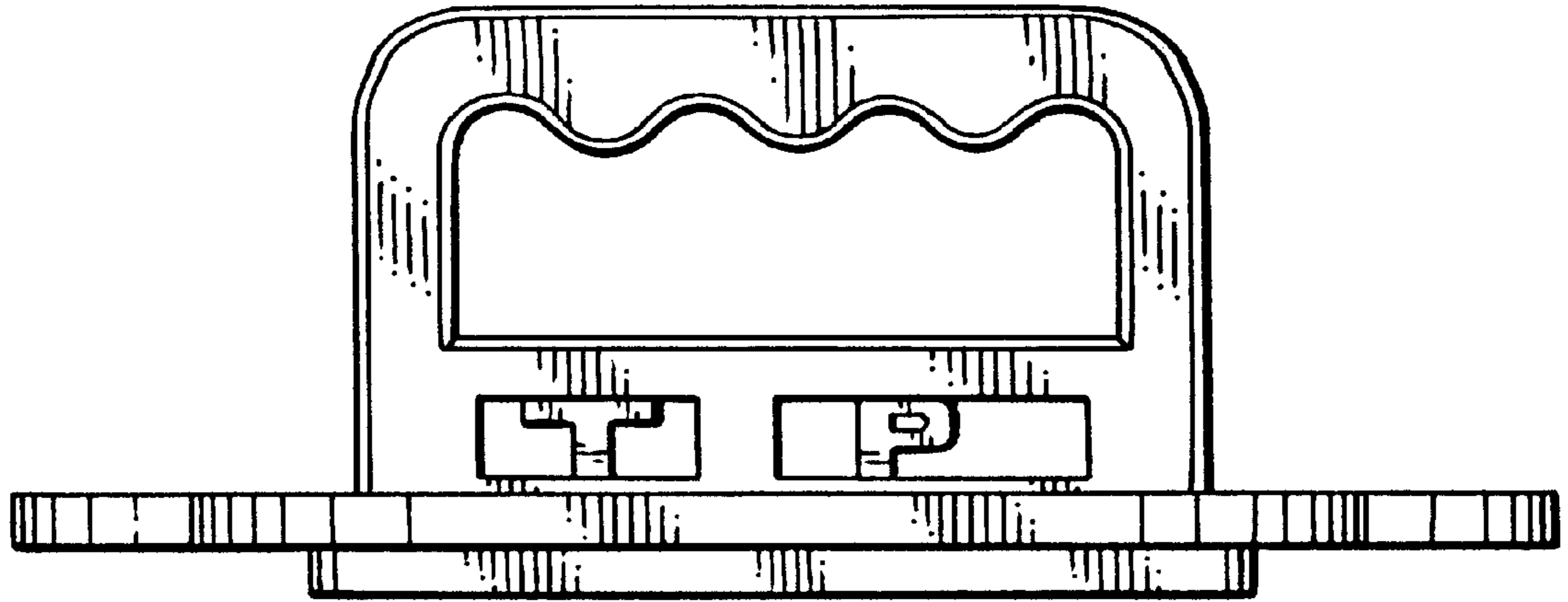


FIG. 3

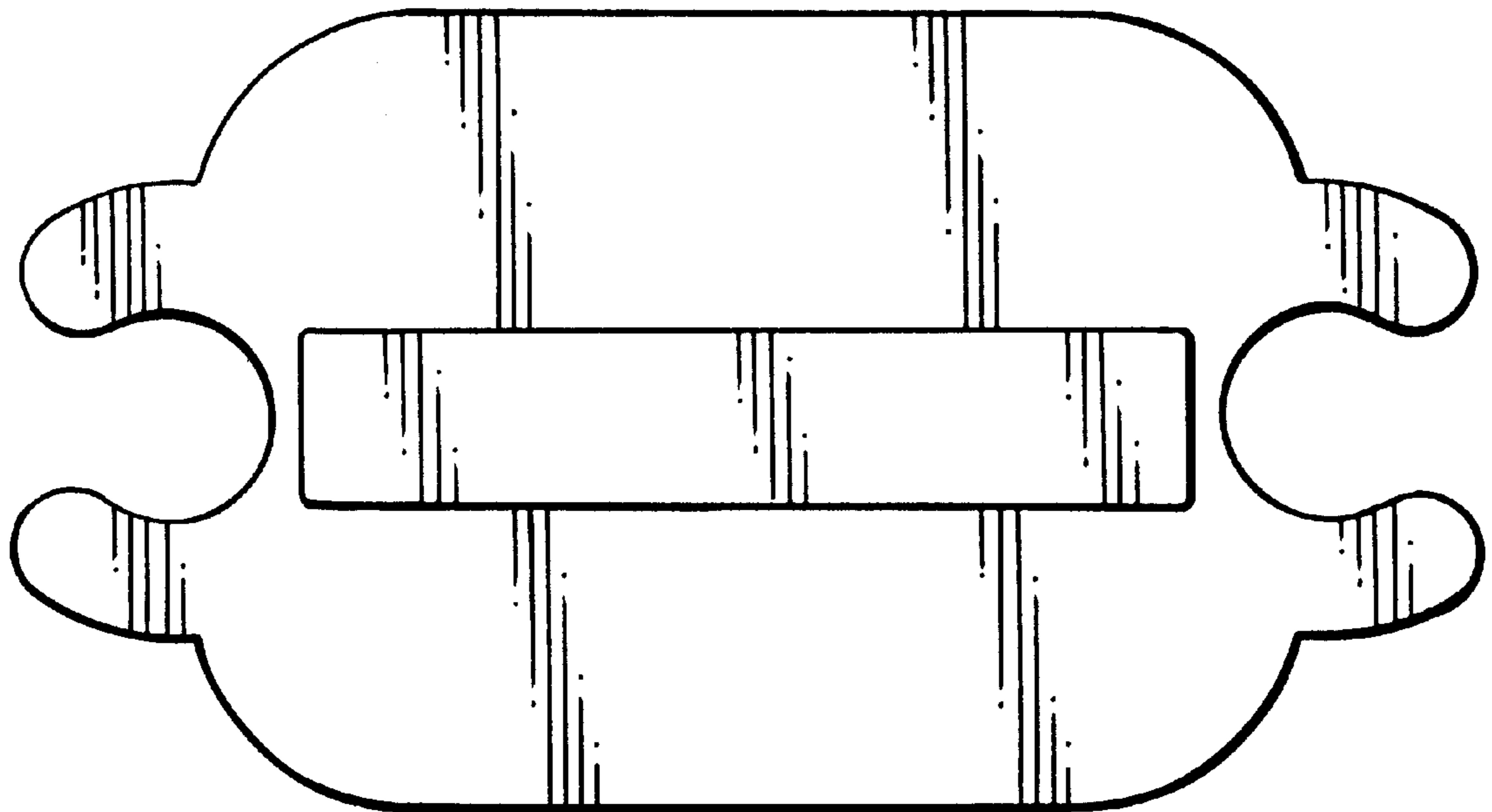


FIG. 4

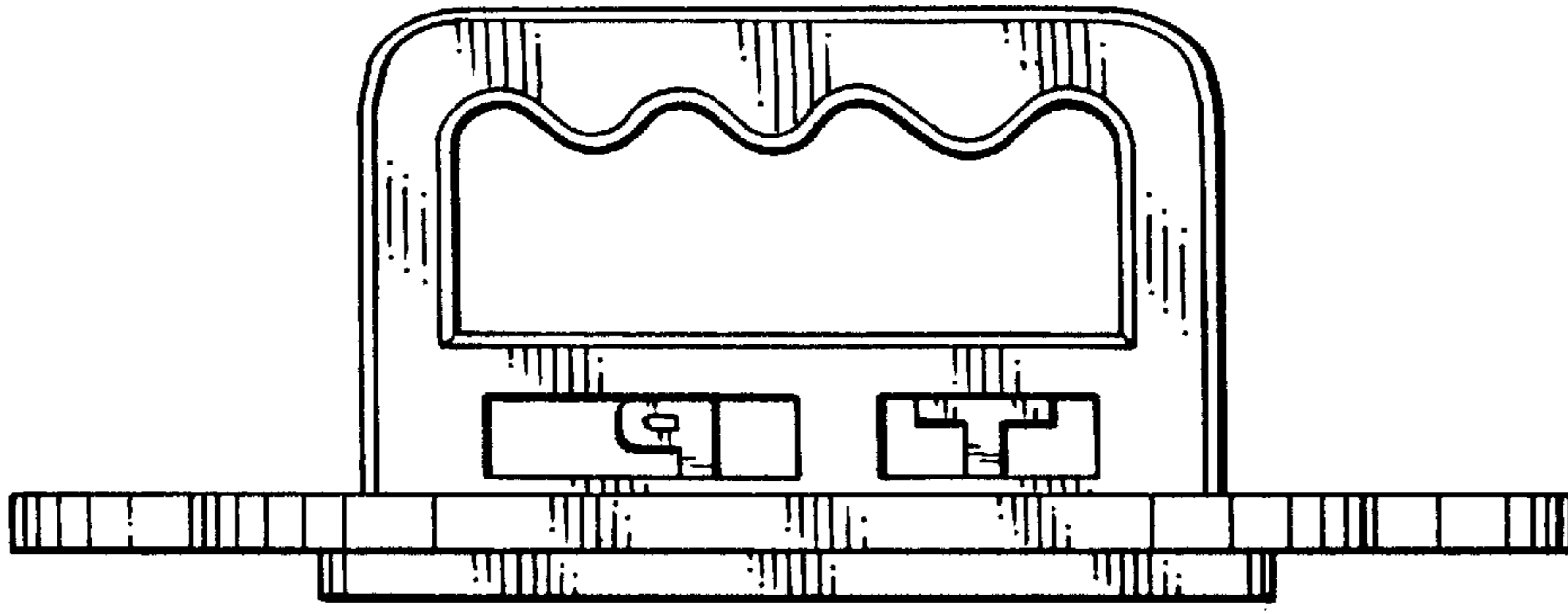


FIG. 5

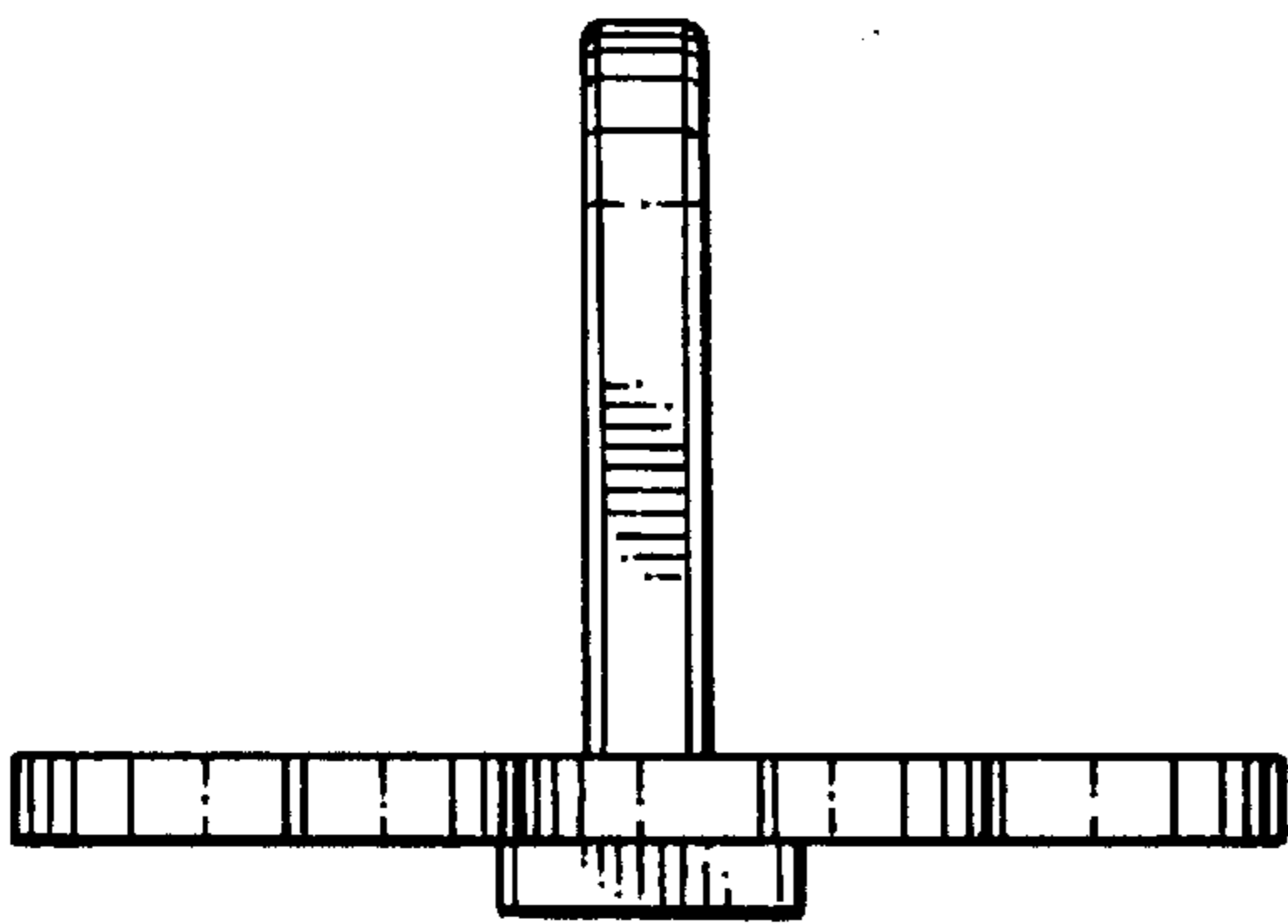


FIG. 6

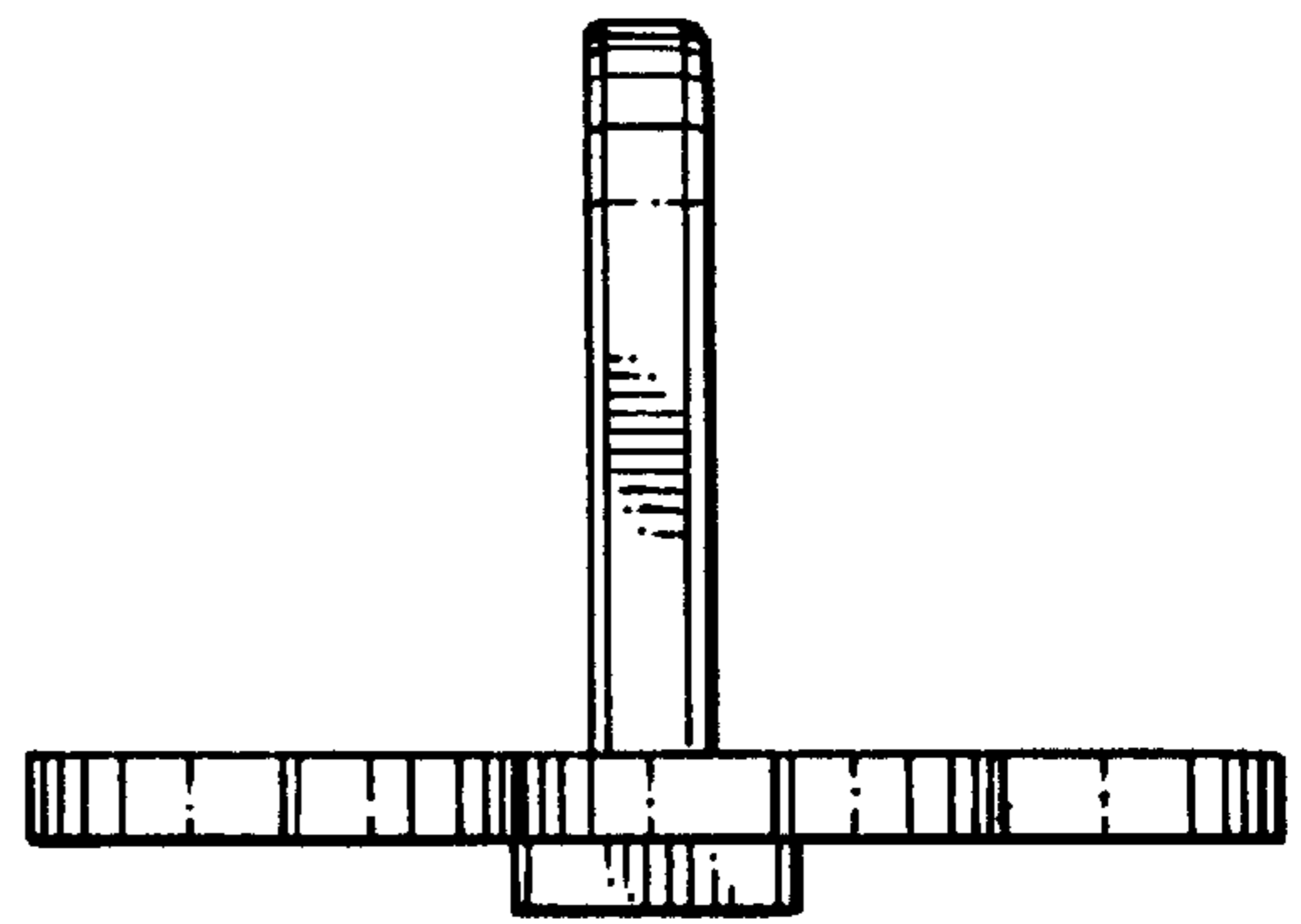


FIG. 7