



US00D447951B1

(12) **United States Design Patent**
Daansen

(10) **Patent No.:** **US D447,951 S**

(45) **Date of Patent:** **** Sep. 18, 2001**

(54) **BUBBLE PUMP FOR A SOAP DISPENSER**

(76) Inventor: **Warren S. Daansen**, P.O. Box 1147,
Summerland Key, FL (US) 33042

(**) Term: **14 Years**

(21) Appl. No.: **29/139,802**

(22) Filed: **Apr. 5, 2001**

Related U.S. Application Data

(63) Continuation-in-part of application No. 29/135,288, filed on
Jan. 9, 2001.

(51) **LOC (7) Cl.** **09-07**

(52) **U.S. Cl.** **D9/448**

(58) **Field of Search** D9/447, 448; D6/542-545;
222/180, 181.1, 181.2, 181.3, 182, 632

(56) **References Cited**

U.S. PATENT DOCUMENTS

- D. 311,653 * 10/1990 Lindauer D6/542
- D. 394,067 * 5/1998 Kon D15/7
- D. 424,350 * 5/2000 Daansen D6/542
- D. 427,470 * 7/2000 Daansen D6/542
- D. 432,547 * 10/2000 Maddox et al. D15/7

OTHER PUBLICATIONS

Gojo Industries Inc, photograph, Pro 2000 Natural Orange
Hand Cleaner Dispenser Stock No. 7255 undated.

Gojo Industries Inc, photograph, Pro 2000 Multi Green
Hand Cleaner Dispenser Stock No. 7265 undated.

Gojo Industries Inc, photograph, Pro 2000 Power Gold Hand
Cleaner Dispenser Stock No. 7295 undated.

Sterisol System 2000, brochure, Sterisol AB, Vadstena,
Sweden undated.

Gojo, brochure, # NXT-LIT-FAM1, Feb. 2000, Gojo Indus-
tries Inc., Akron, Ohio, USA undated.

Gojo NXT, brochure, # NXT-LIT-MAX1, Feb. 2000, Gojo
Industries Inc., Akron, Ohio, USA undated.

Gojo NXT, brochure, # NXT-LIT-SPC1, Feb. 2000, Gojo
Industries Inc., Akron, Ohio, USA undated.

Gojo NXT, brochure, # NXT-LIT-SBS1, Feb. 2000, Gojo
Industries Inc., Akron, Ohio, USA undated.

Highland Laboratories Inc, operating instructions and parts
list for model 480 dispenser, Feb. 15, 1993, Highland
Laboratories Inc, Ashland, Massachusetts, USA undated.

* cited by examiner

Primary Examiner—Cathron C. Brooks

(74) *Attorney, Agent, or Firm*—Vernon C. Maine; Scott J.
Asmus

(57) **CLAIM**

The ornamental design for a bubble pump for a soap
dispenser, as shown and described.

DESCRIPTION

The invention is a hand pump for pumping single portions
of fluids similar to and including liquid hand soap. It is most
commonly attached to a bag of liquid hand soap and used as
a disposable refill for wall-mounted soap dispensers. When
the bag is empty, the bag and pump assembly is discarded
and a new refill installed.

FIG. 1 is a lower right front perspective view of the bubble
pump for a soap dispenser;

FIG. 2 is a lower right backside perspective view thereof;

FIG. 3 is a front elevation view thereof;

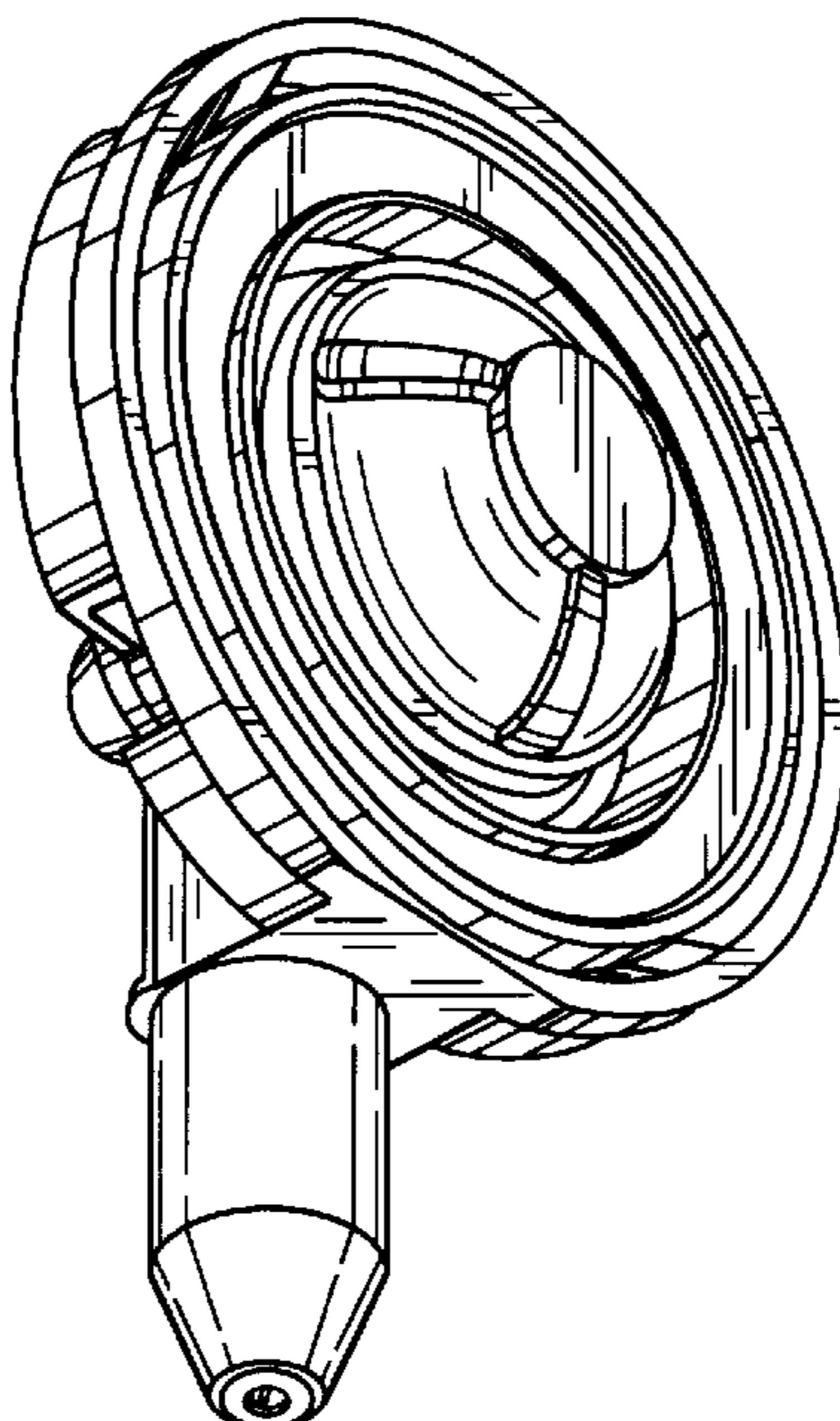
FIG. 4 is a top plan thereof;

FIG. 5 is a bottom plan thereof.

FIG. 6 is a rear elevation thereof; and,

FIG. 7 is a side elevation thereof.

1 Claim, 3 Drawing Sheets



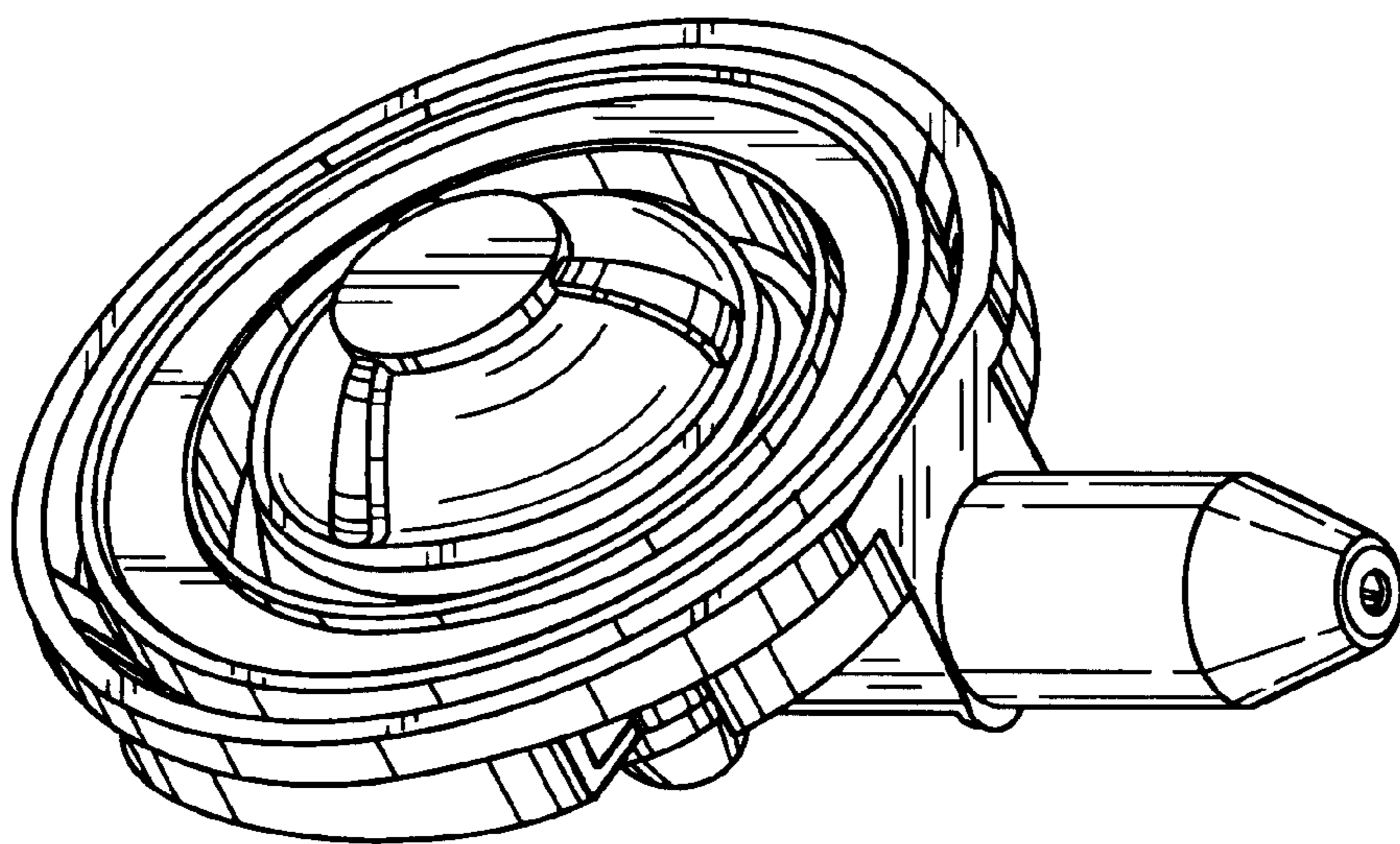


FIG. 1

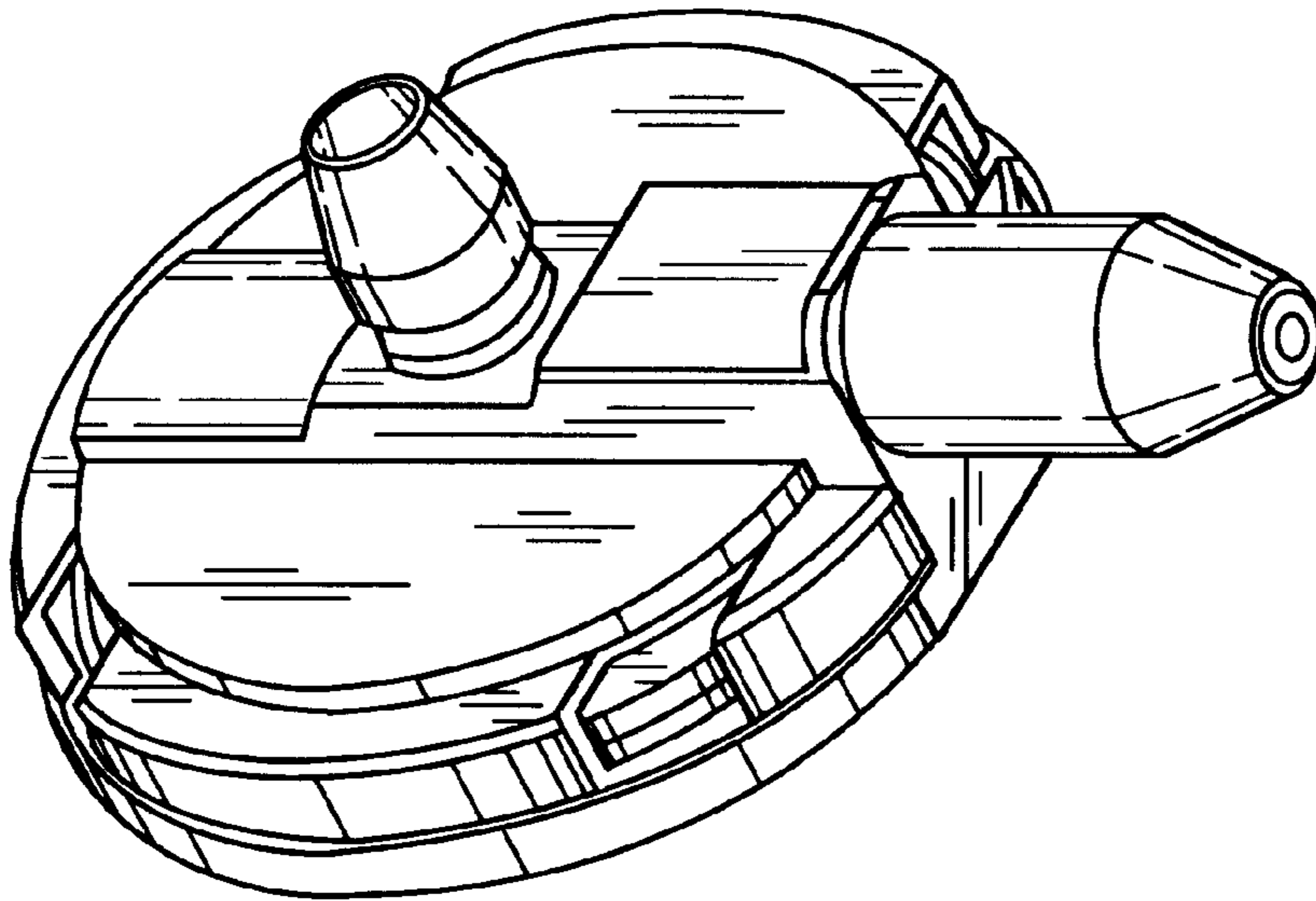


FIG. 2

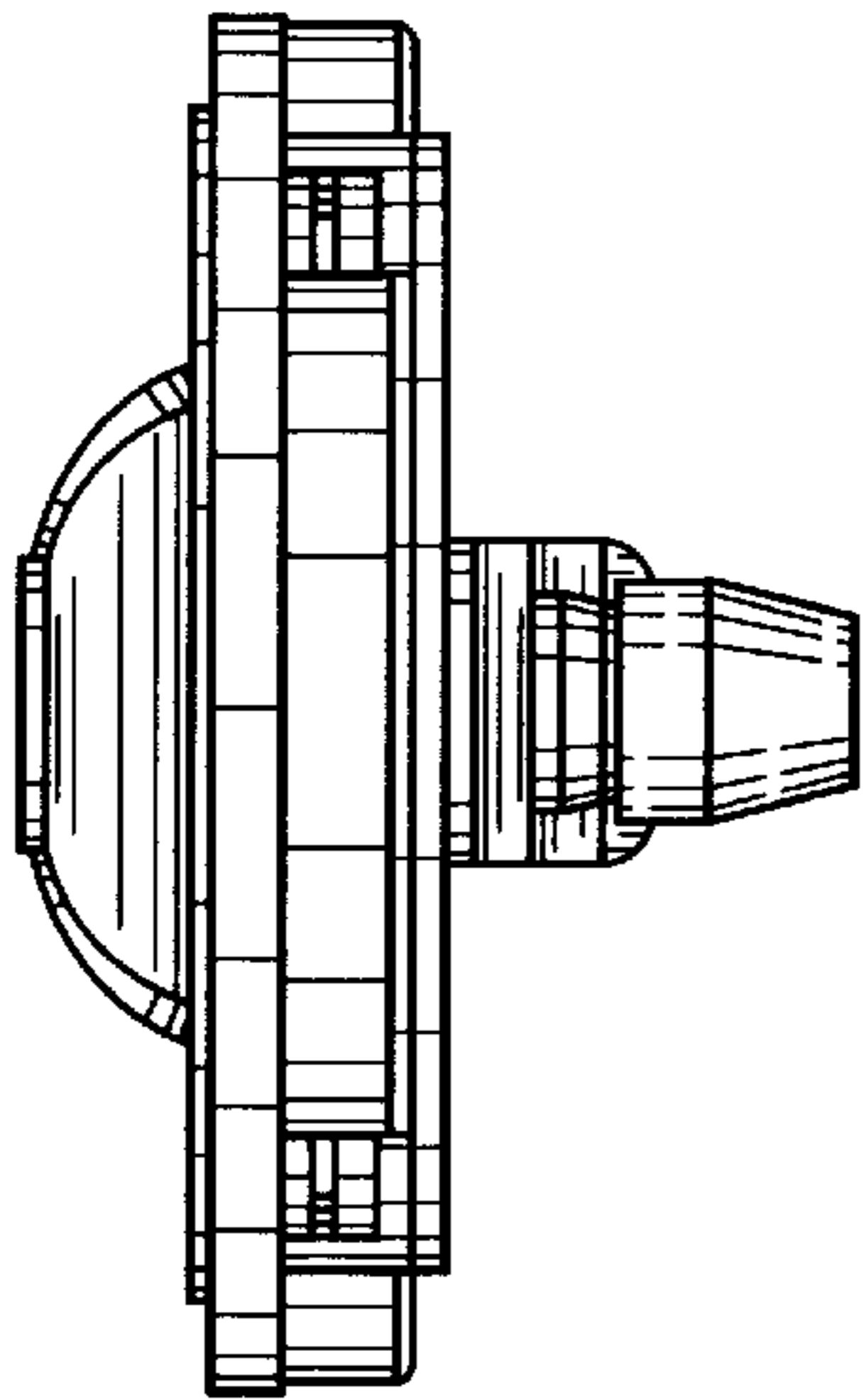


FIG. 4

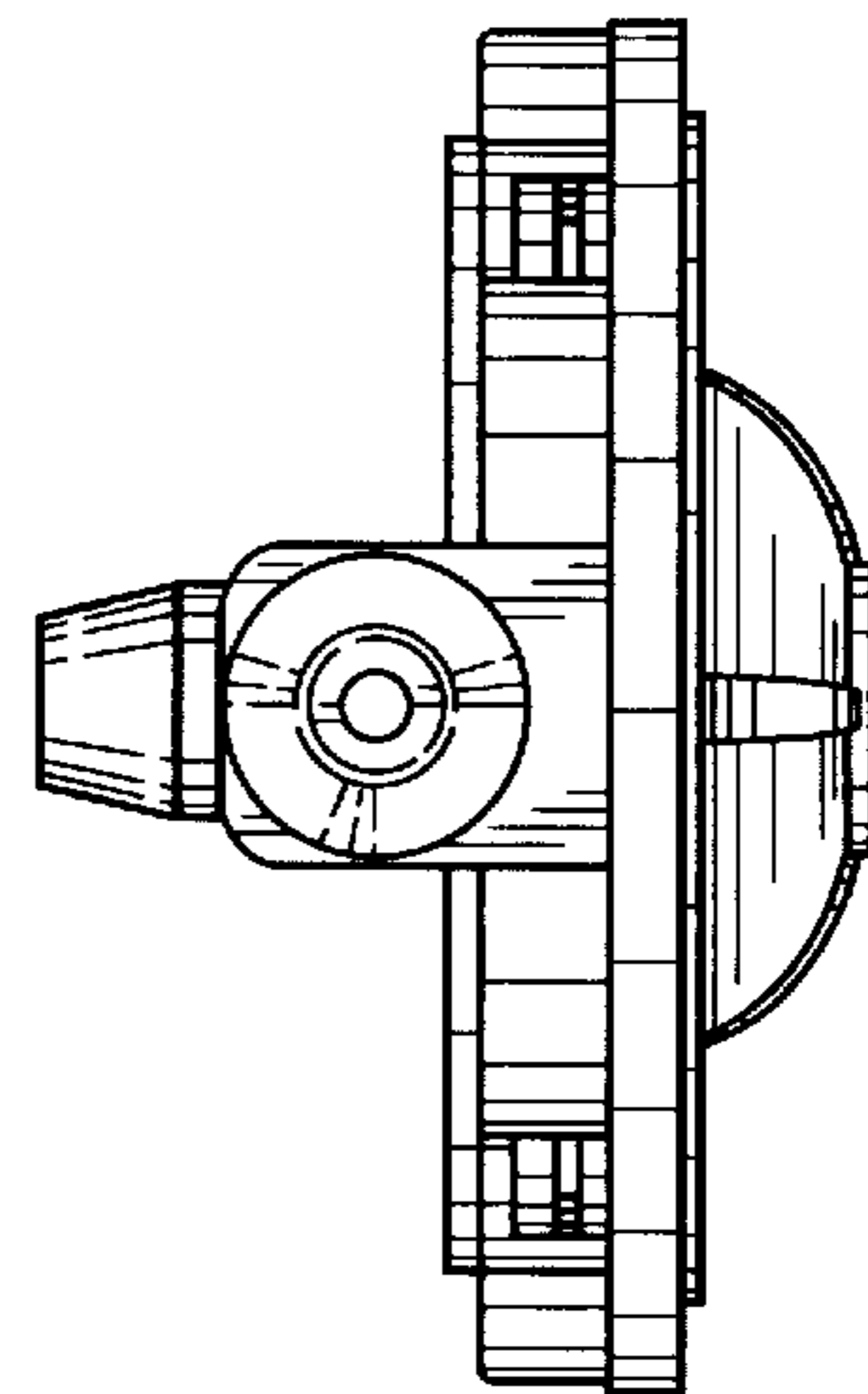


FIG. 5

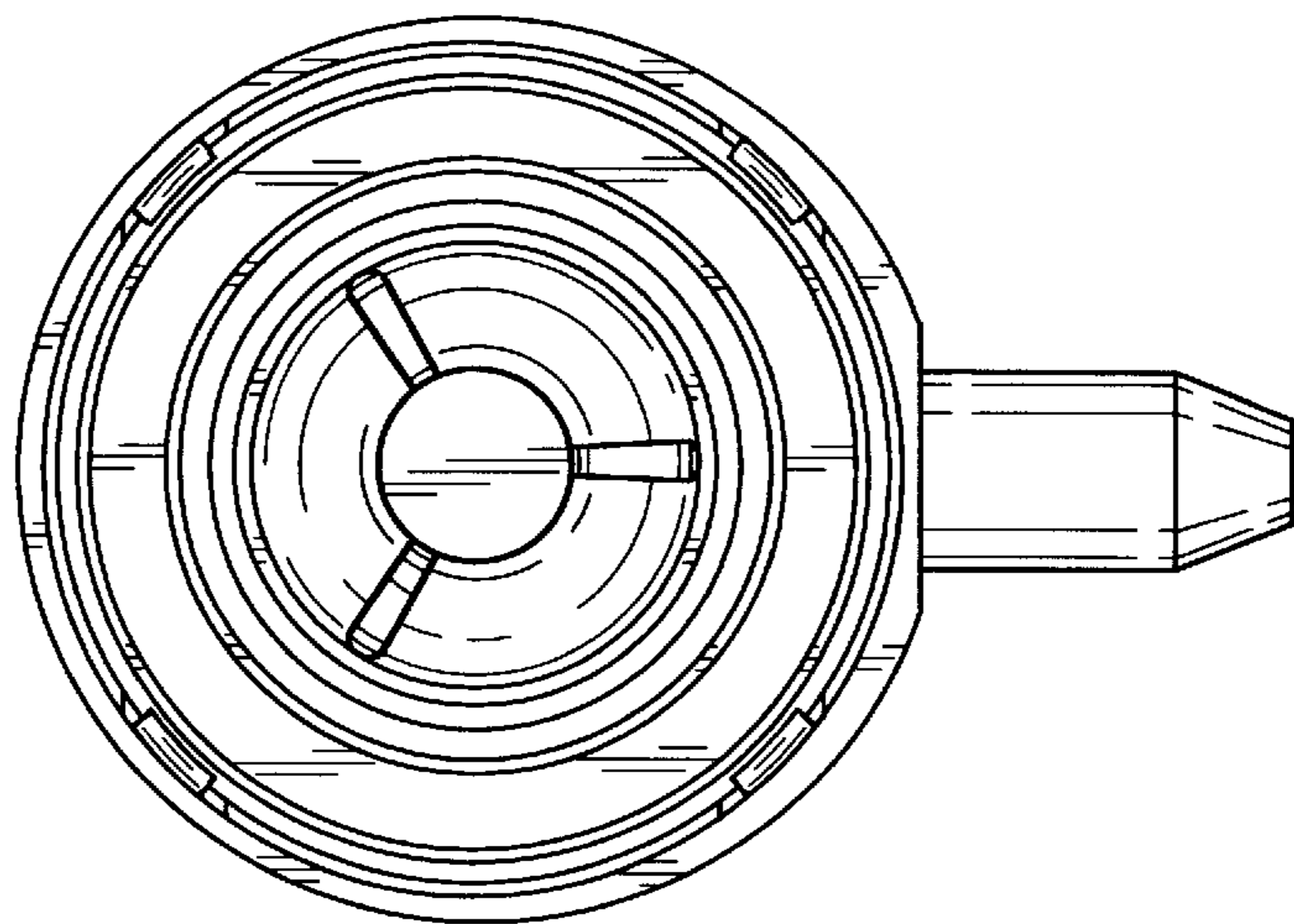


FIG. 3

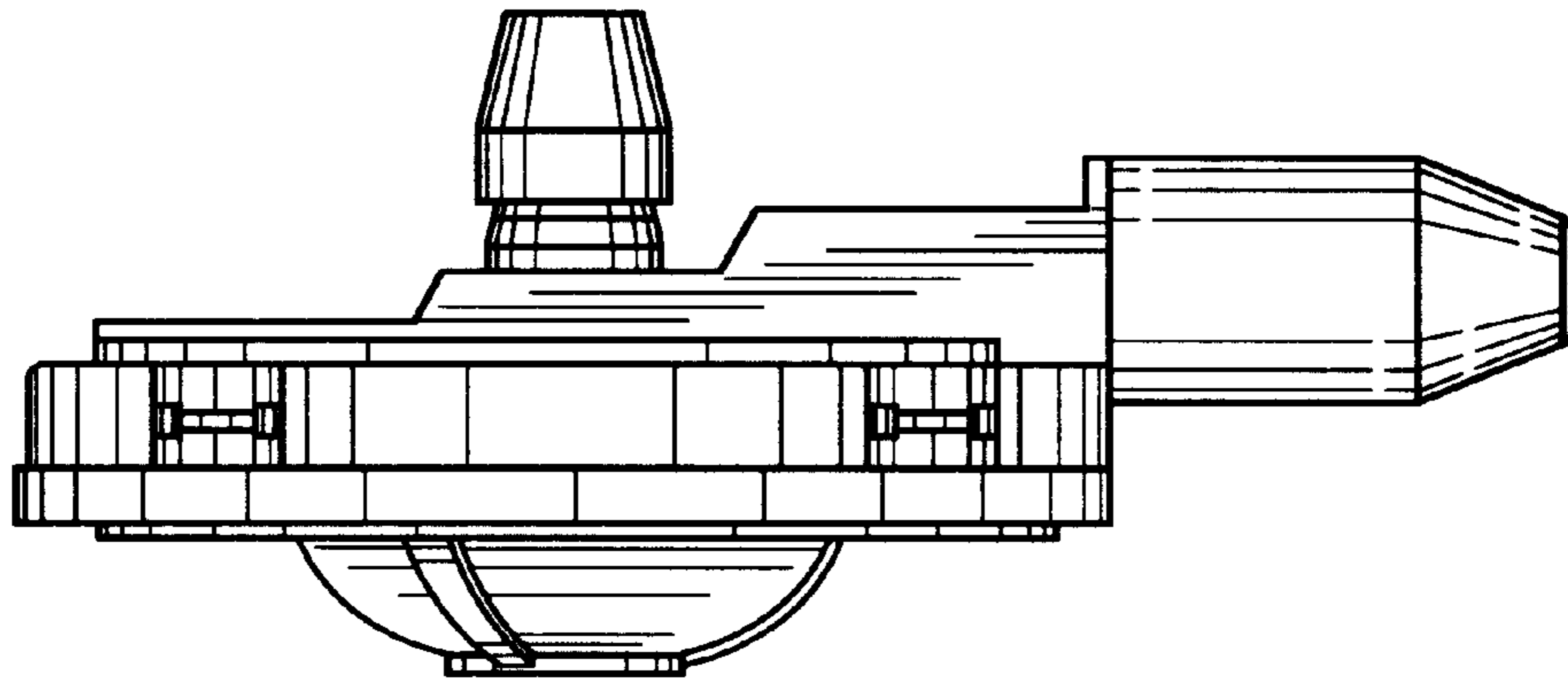


FIG. 7

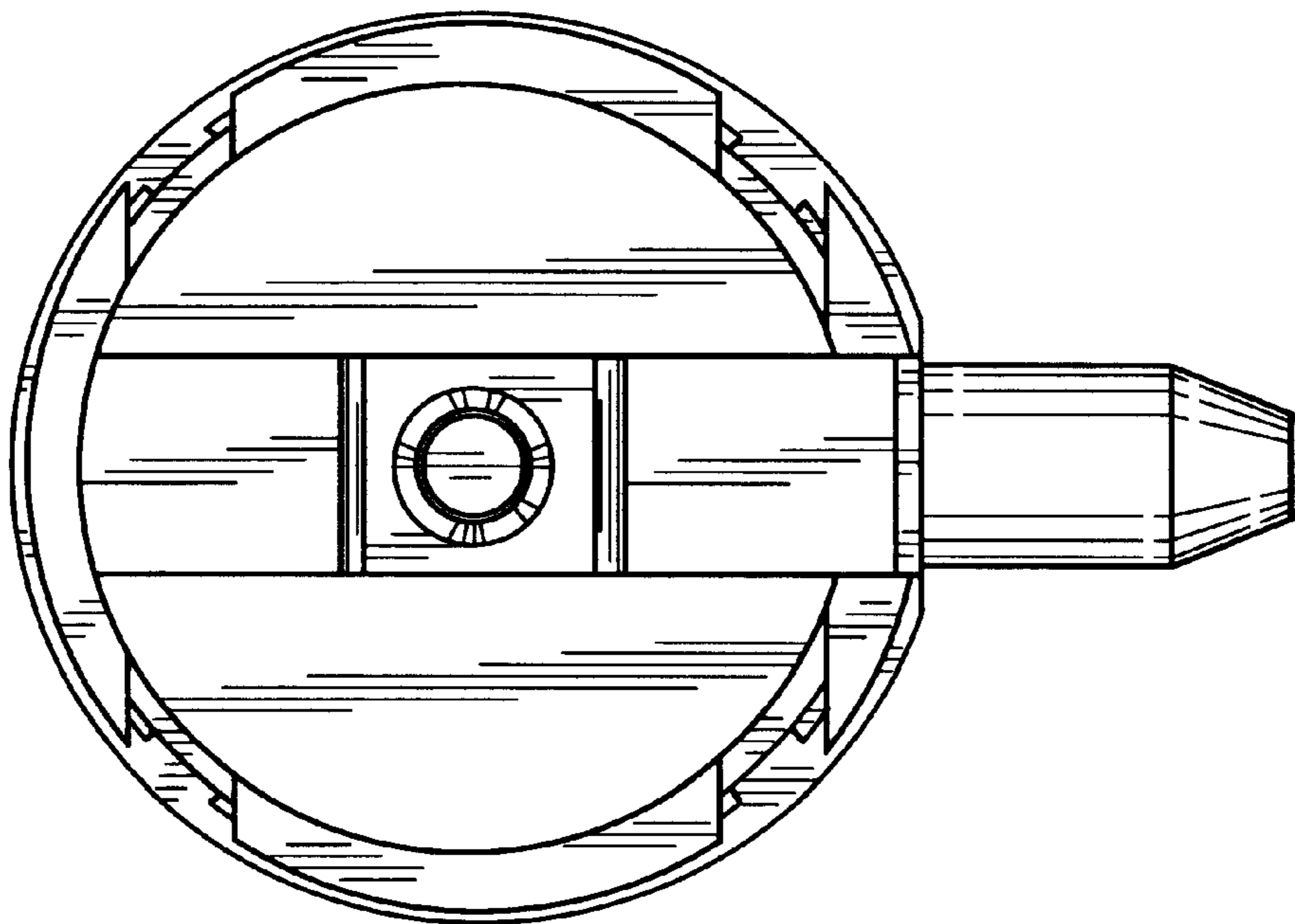


FIG. 6