



US00D447943B1

(12) **United States Design Patent**
Justice

(10) **Patent No.:** **US D447,943 S**

(45) **Date of Patent:** **** Sep. 18, 2001**

(54) **CONTAINER**

(76) **Inventor:** **Charles E. Justice**, 13935 Kornblum Ave., #3, Hawthorne, CA (US) 90250

(**) **Term:** **14 Years**

5,167,336	*	12/1992	Lajovic	220/23.6
5,381,839		1/1995	Dowd	.	
5,507,389	*	4/1996	Syrek	220/4.27
5,782,358		7/1998	Walker	.	
5,887,740	*	3/1999	Hong	220/4.27
6,047,827	*	4/2000	Huang	220/4.27

(21) **Appl. No.:** **29/130,894**

(22) **Filed:** **Oct. 11, 2000**

(51) **LOC (7) Cl.** **09-03**

(52) **U.S. Cl.** **D9/424**

(58) **Field of Search** D9/414, 424, 432, D9/337, 434, 554, 565, 566, 520; D3/201, 304; 206/509, 503, 508, 821; 220/4.26, 4.27, 4.01, 23.2, 23.4, 23.6, 23.8

(56) **References Cited**

U.S. PATENT DOCUMENTS

D. 163,454	*	5/1951	Fuerst	D9/566
D. 252,910	*	9/1979	Bayly	D9/424
D. 274,699	*	7/1984	Epperson	D9/520
D. 333,978		3/1993	Zutler	.	
2,641,374	*	6/1953	Yuen	206/509
3,369,658		2/1968	Hasselmann	.	
3,374,917	*	3/1968	Troy	220/23.4
3,391,824		7/1968	Wiseman	.	
4,656,840		4/1987	Loofbourrow et al.	.	
4,708,253		11/1987	Mednis	.	

FOREIGN PATENT DOCUMENTS

0 494 841 A1 1/1992 (DE) .

* cited by examiner

Primary Examiner—Prabhakar Deshmukh

(74) *Attorney, Agent, or Firm*—Eric Karich

(57) **CLAIM**

The ornamental design for a “container”, as shown and described.

DESCRIPTION

FIG. 1 is a perspective view of a container, showing my new design;

FIG. 2 is a front elevational view thereof;

FIG. 3 is a rear elevational view thereof;

FIG. 4 is a left side elevational view thereof, the right side elevation view being a mirror image thereof;

FIG. 5 is a top plan view thereof; and,

FIG. 6 is a bottom plan view thereof.

1 Claim, 3 Drawing Sheets

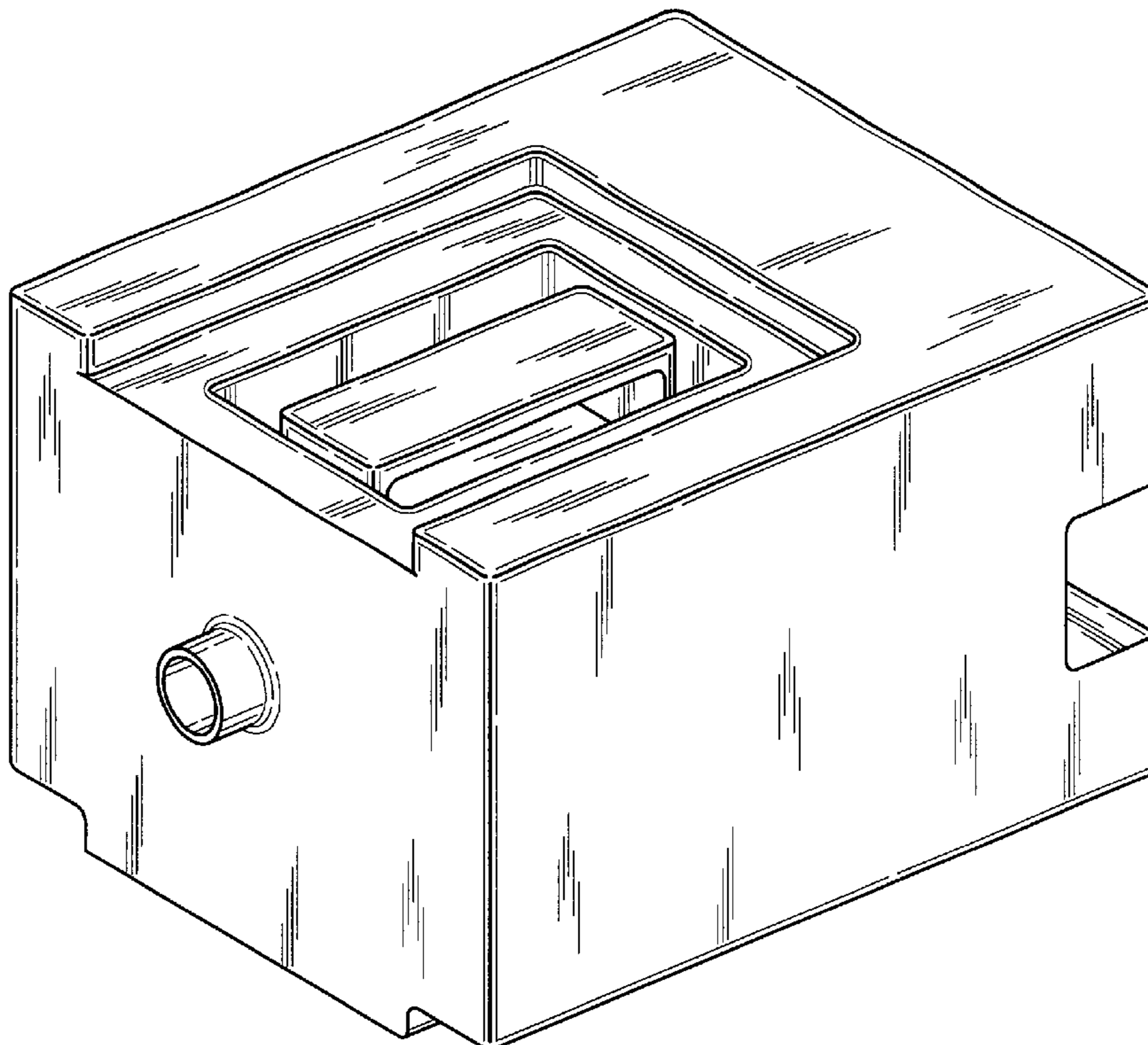


Fig-1

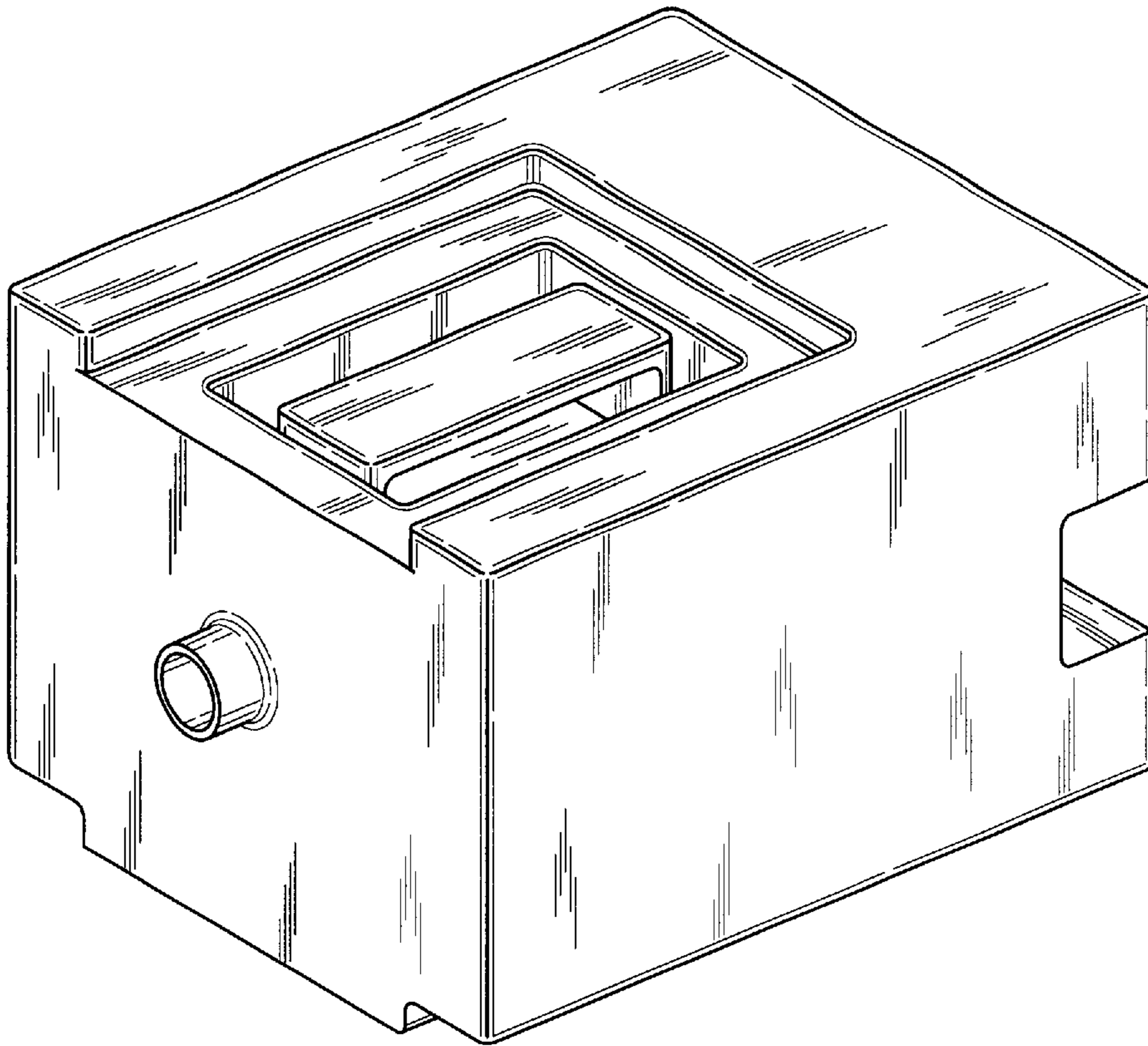


Fig-2

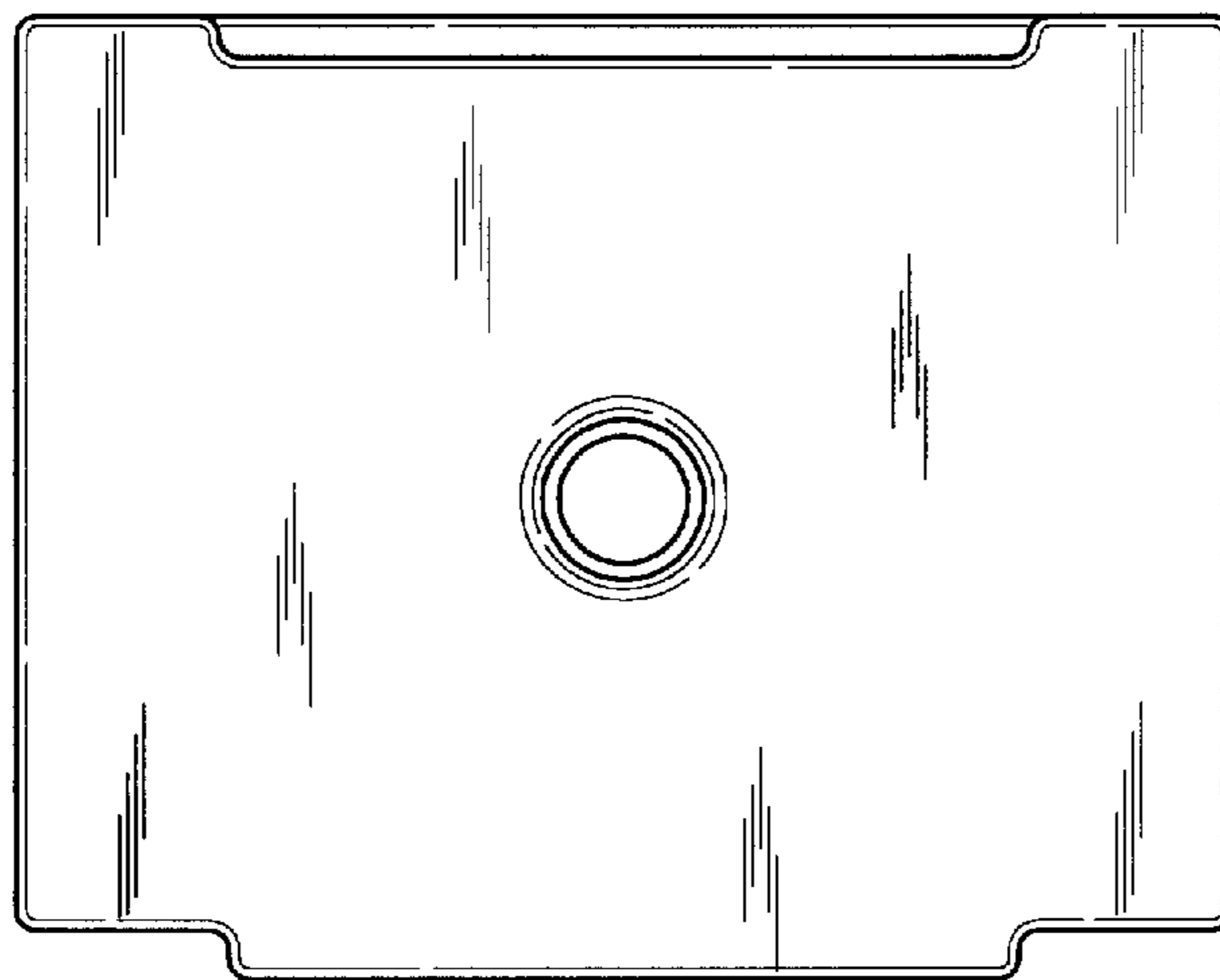


Fig-3

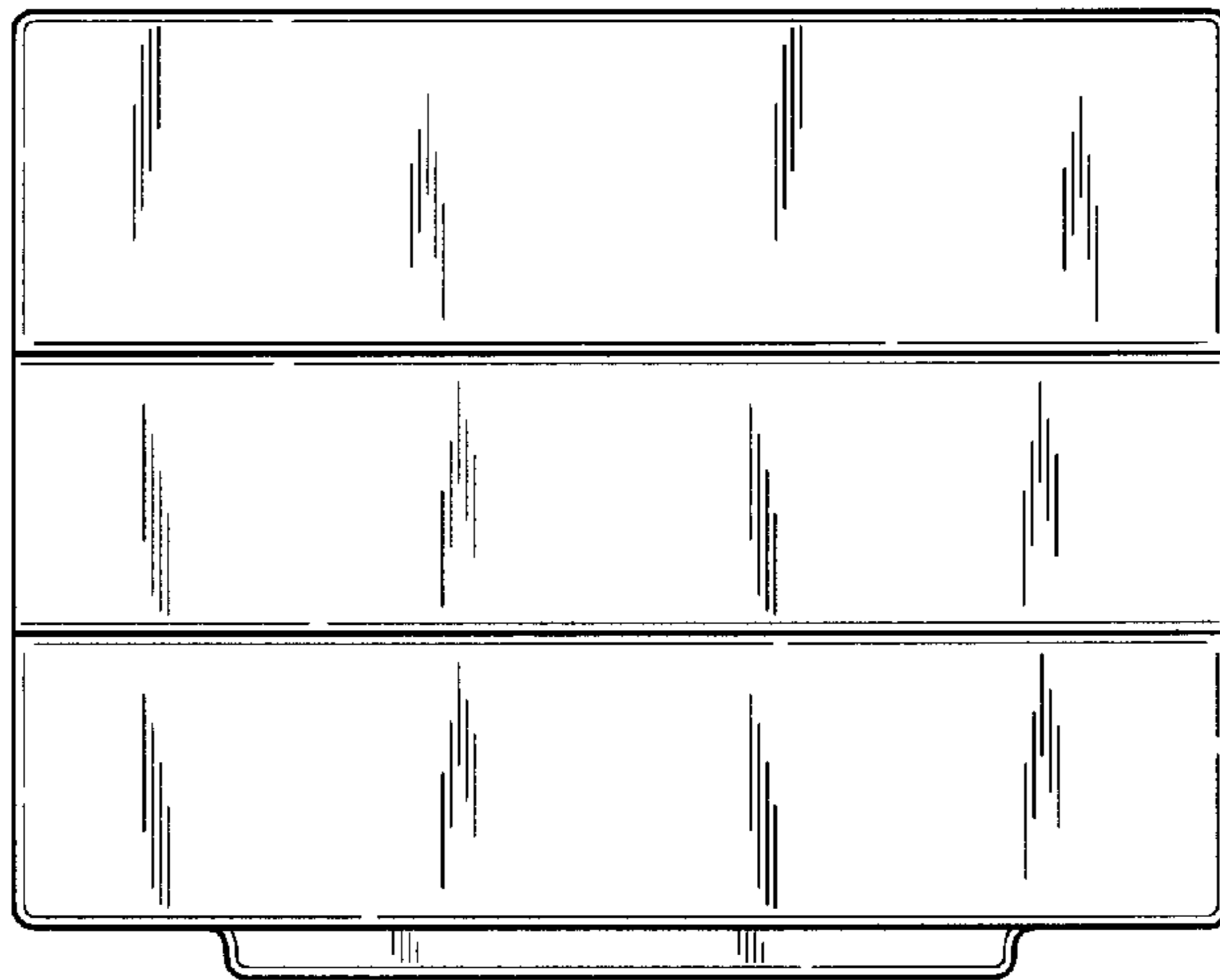


Fig-4

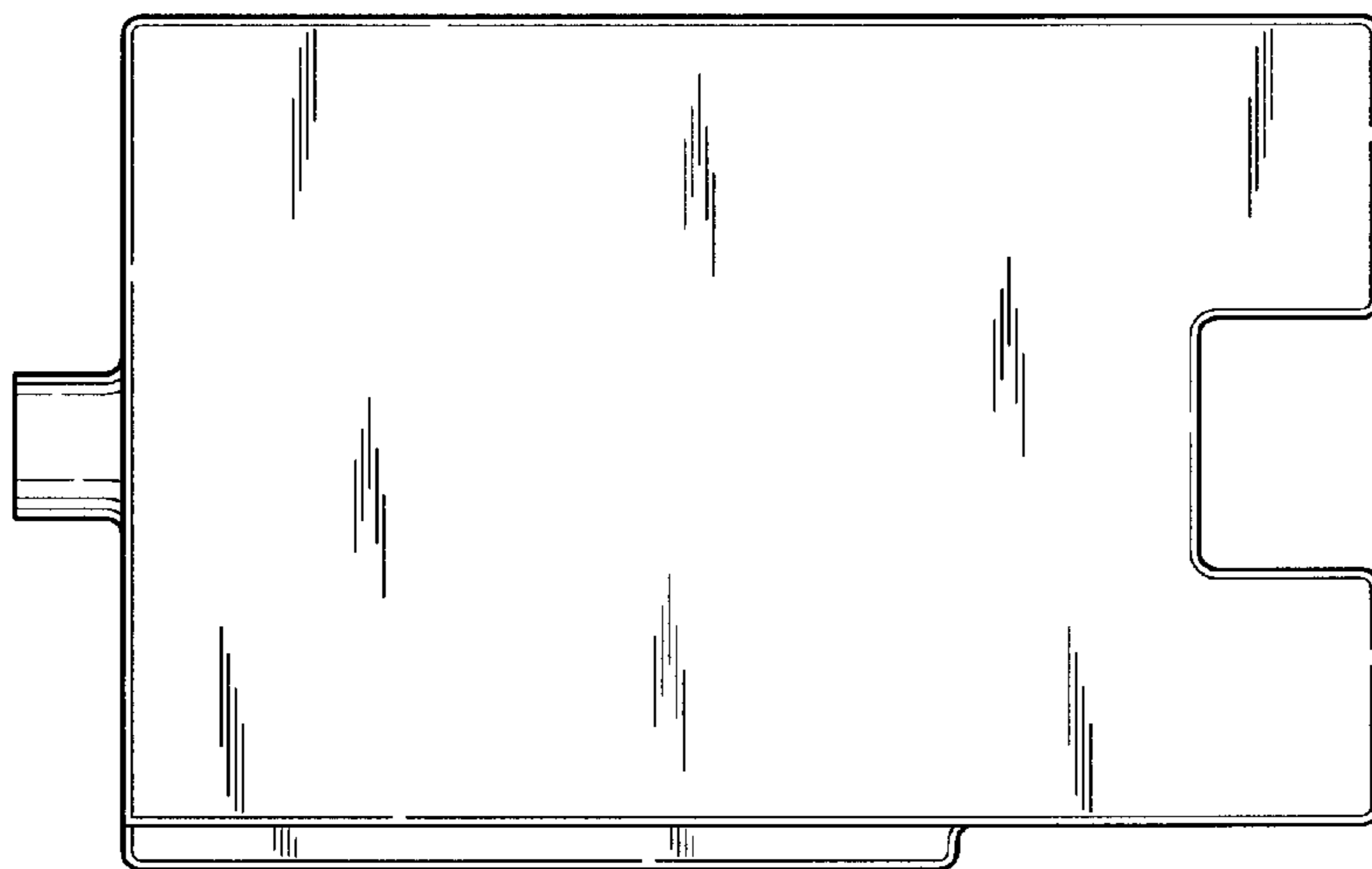


Fig-5

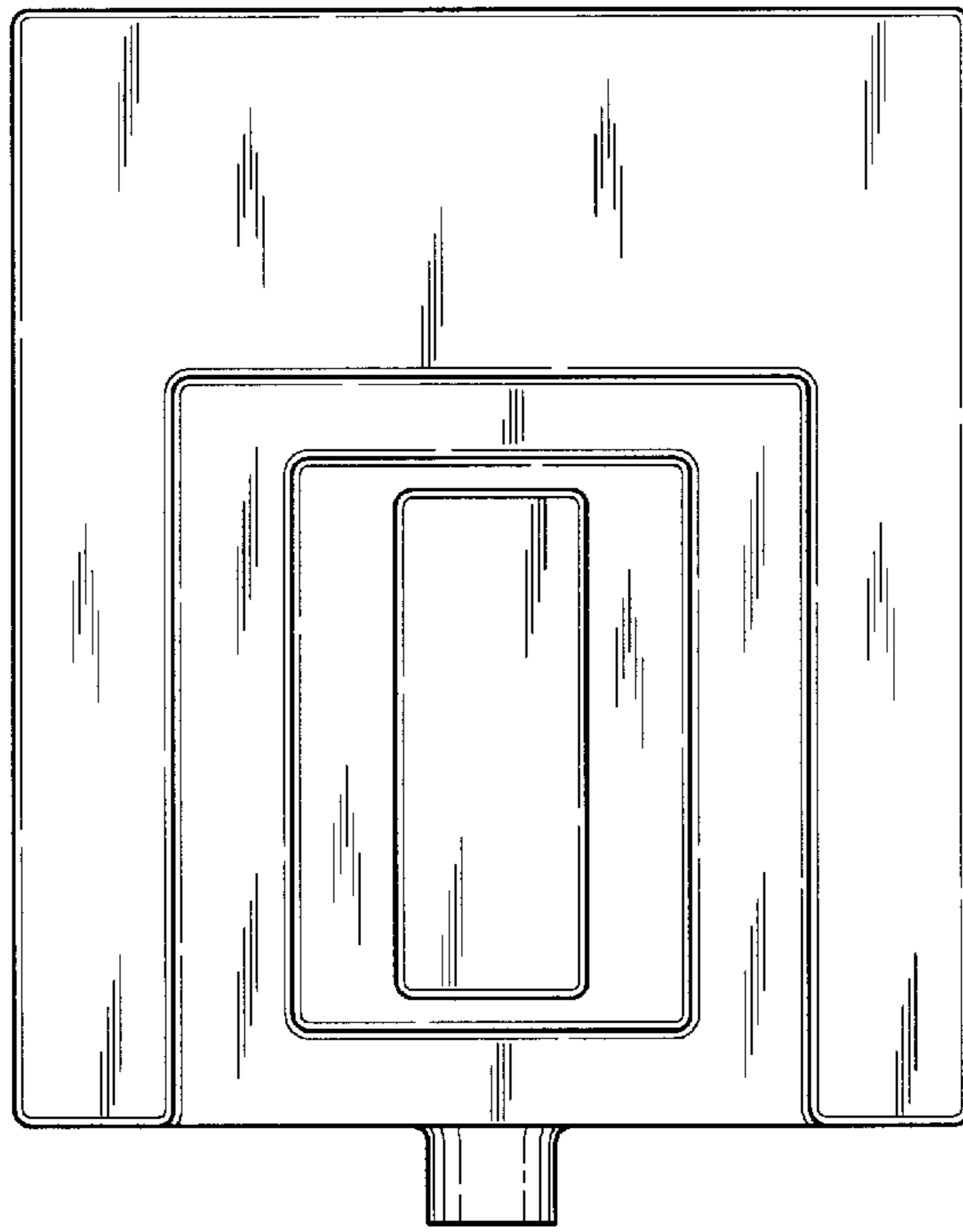


Fig-6

