



US00D447936B1

(12) **United States Design Patent**
Kacines

(10) **Patent No.:** **US D447,936 S**

(45) **Date of Patent:** **** Sep. 18, 2001**

(54) **CLIP FOR SECURING ARTICLES TO THE EDGES OF HOUSEHOLD SURFACES**

(76) **Inventor:** **Jeffrey J. Kacines**, P.O. Box 1594,
Allen, TX (US) 75013

(**) **Term:** **14 Years**

(21) **Appl. No.:** **29/111,113**

(22) **Filed:** **Sep. 21, 1999**

(51) **LOC (7) Cl.** **08-08**

(52) **U.S. Cl.** **D8/394; D8/396**

(58) **Field of Search** **D8/394, 395, 396;**
24/563, 343; 248/72.2, 227.1, 215, 231.81,
300, 301, 316.7

(56) **References Cited**

U.S. PATENT DOCUMENTS

- D. 26,541 * 1/1897 Covert .
- D. 28,539 * 5/1898 Ambler .
- D. 216,359 * 12/1969 Feuerer D8/230
- D. 255,774 7/1980 Soucy .
- D. 357,402 4/1995 Roethler D8/370
- D. 360,572 7/1995 Adams D8/367
- D. 376,387 12/1996 Saccoccio D19/65
- D. 432,905 * 10/2000 Sutker et al. D8/394
- 514,222 * 2/1894 Hall .
- 749,852 * 1/1904 Dunn .
- 932,778 8/1909 Gould .
- 1,365,065 * 1/1921 Sherwood .
- 1,496,388 6/1924 Stern .
- 1,726,316 8/1929 Saxton .
- 1,856,847 5/1932 Gates .
- 1,869,226 * 6/1932 Subick .
- 2,431,752 12/1947 Hilstrom .
- 2,461,071 2/1949 Mettenleiter 248/227
- 2,565,719 8/1951 Church .
- 2,751,653 * 6/1956 Leibow 24/73
- 3,218,012 * 11/1965 Volpe 248/62
- 3,376,006 4/1968 Zezula .
- 3,710,391 1/1973 McGlynn .
- 3,772,742 11/1973 Gigante 24/84 B
- 4,039,136 * 8/1977 DeHart 248/215

- 4,709,891 12/1987 Barnett 248/214
- 4,887,785 12/1989 Blaich .
- 4,903,929 2/1990 Hoffman 248/229
- 5,082,225 1/1992 Nespoli 248/231.8
- 5,329,728 7/1994 Ray .
- 5,388,284 2/1995 Garnett .
- 5,489,078 2/1996 Risley 248/231.81
- 5,491,878 2/1996 Janouschek .
- 5,642,819 7/1997 Ronia 211/86.01
- 5,855,046 1/1999 Dymott et al. .
- 5,934,525 8/1999 Blanchard .

FOREIGN PATENT DOCUMENTS

9940 of 1913 (GB) .

* cited by examiner

Primary Examiner—Ted Shooman

Assistant Examiner—Daniel Bui

(74) *Attorney, Agent, or Firm*—Baker Botts L.L.P.

(57) **CLAIM**

The ornamental design for a clip for securing articles to the edges of household surfaces, as shown and described.

DESCRIPTION

FIG. 1 is a perspective view of the ornamental design of the clip for securing articles to the edges of household surfaces of the present invention;

FIG. 2 is a rear view of the clip for securing articles to the edges of household surfaces of the present invention;

FIG. 3 is a side view of the clip for securing articles to the edges of household surfaces of the present invention;

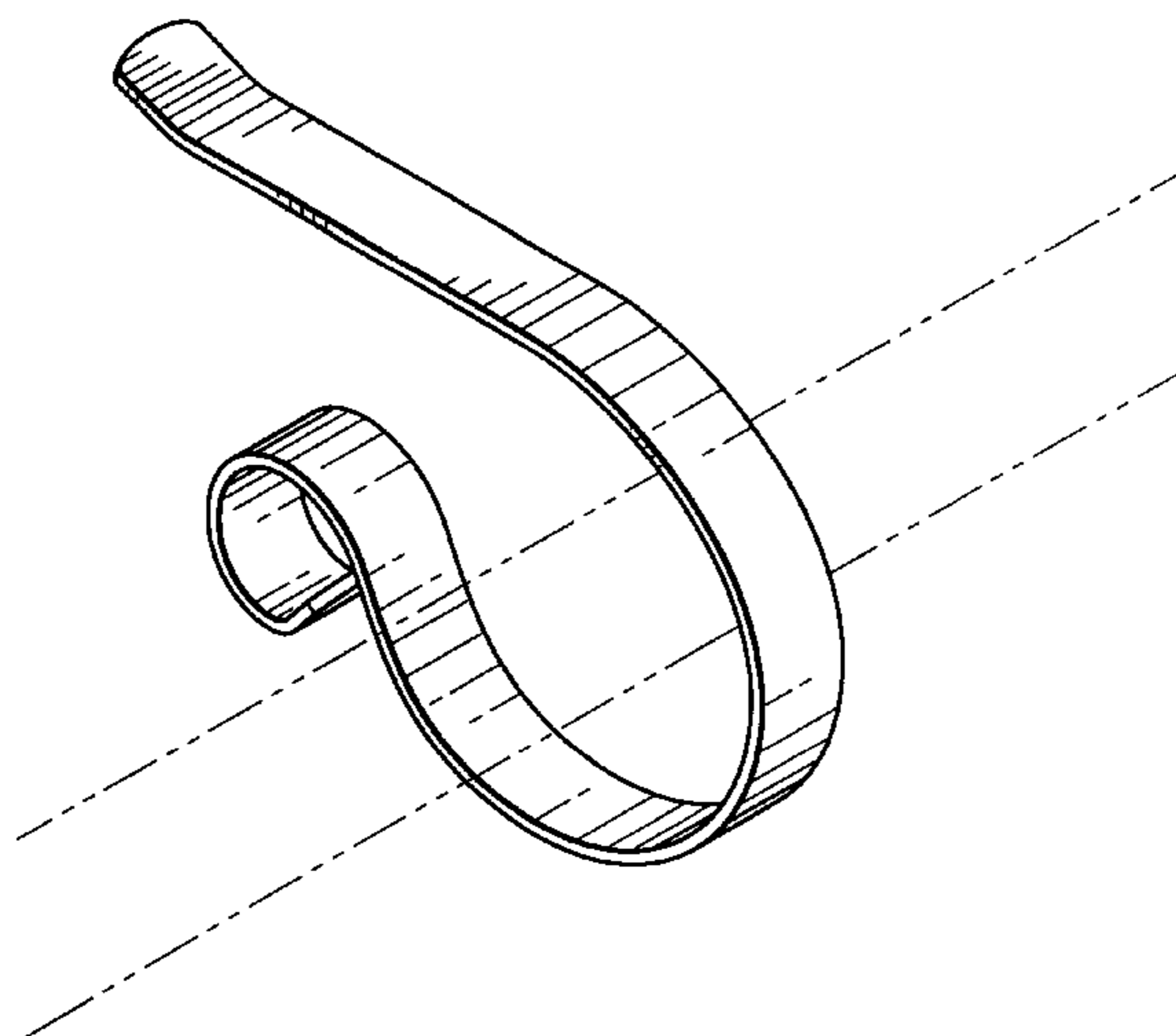
FIG. 4 is a front view of the clip for securing articles to the edges of household surfaces of the present invention;

FIG. 5 is a top view of the clip for securing articles to the edges of household surfaces of the present invention; and,

FIG. 6 is a bottom view of the clip for securing articles to the edges of household surfaces of the present invention.

FIG. 1 includes broken lines showing the environment and do not form a part of the design of the claimed invention.

1 Claim, 1 Drawing Sheet



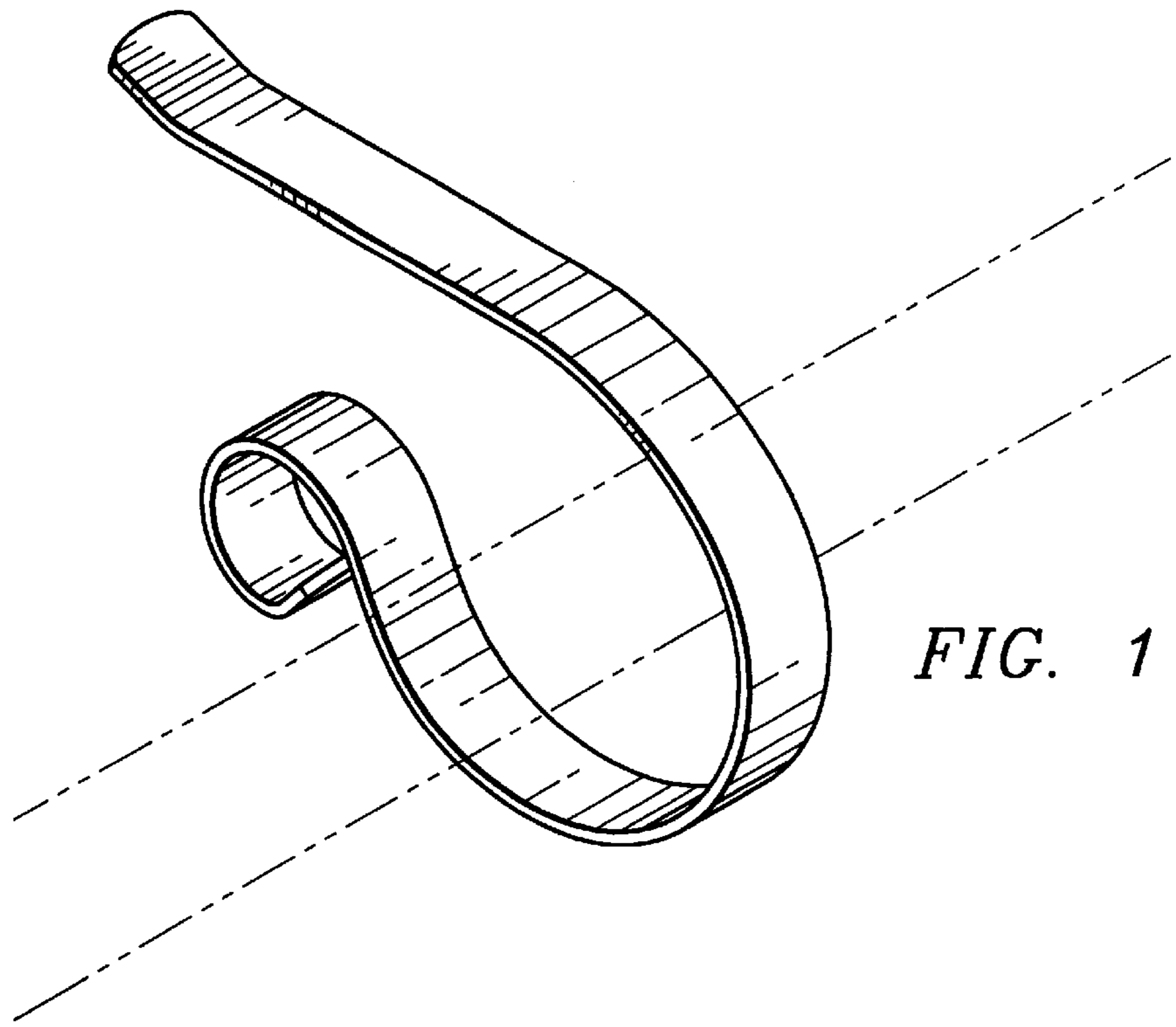


FIG. 1

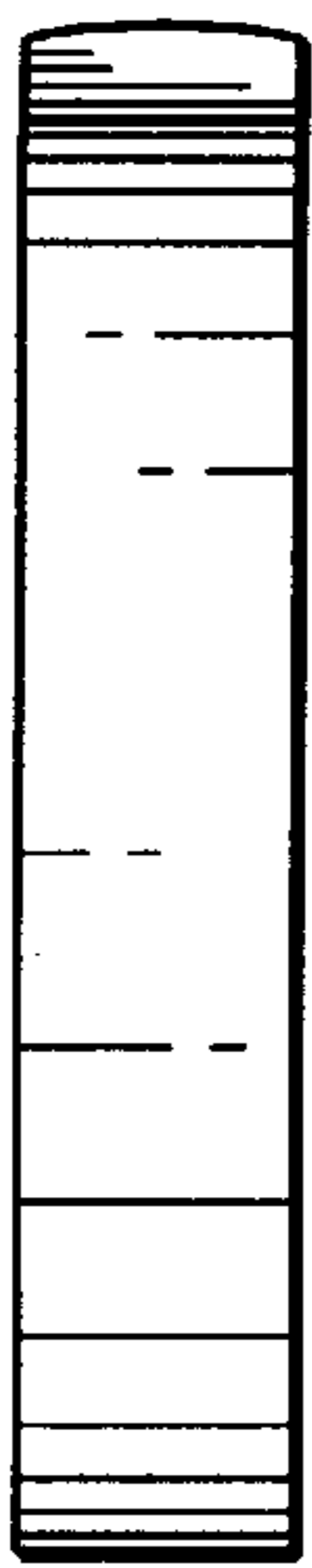


FIG. 2

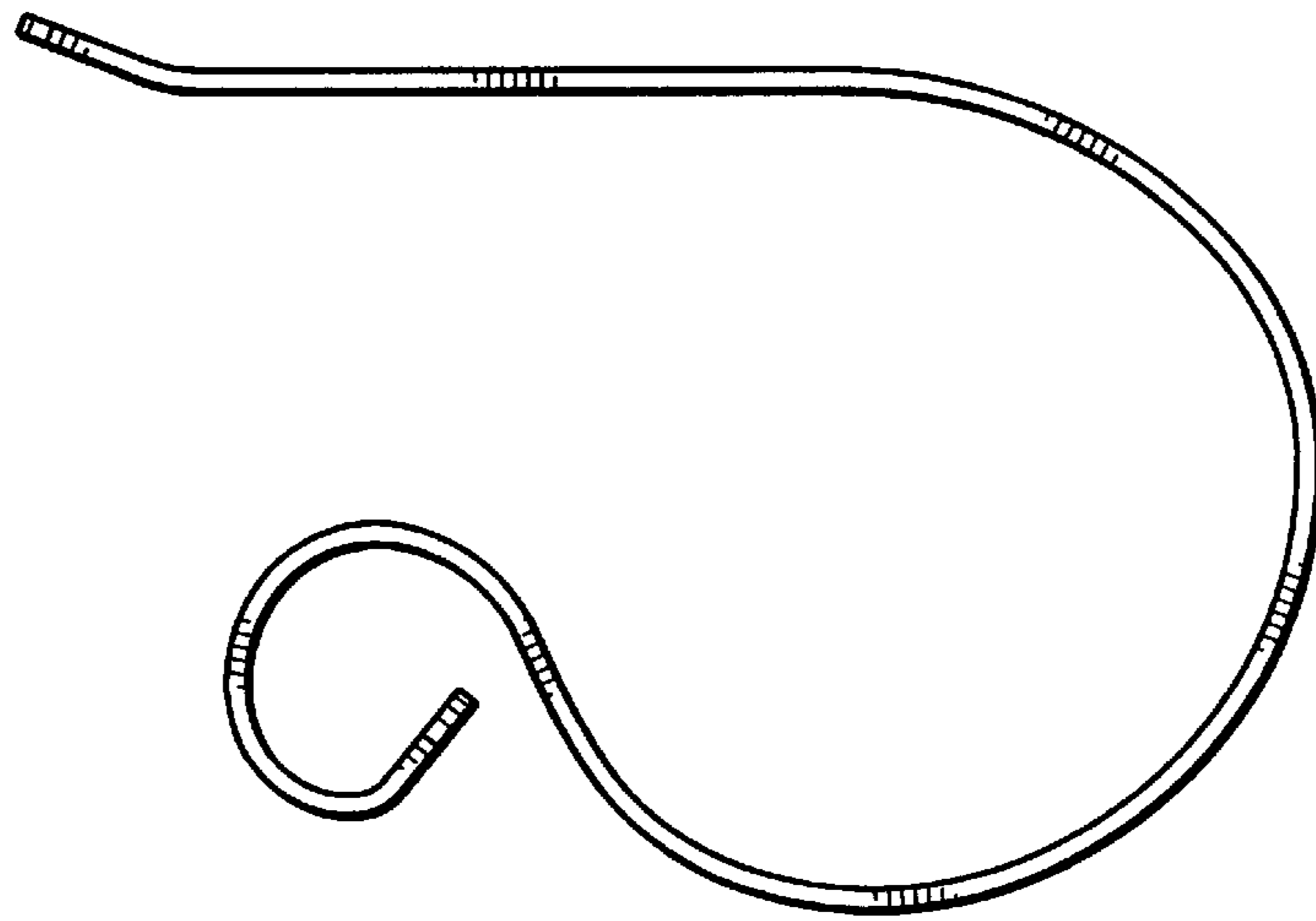


FIG. 3

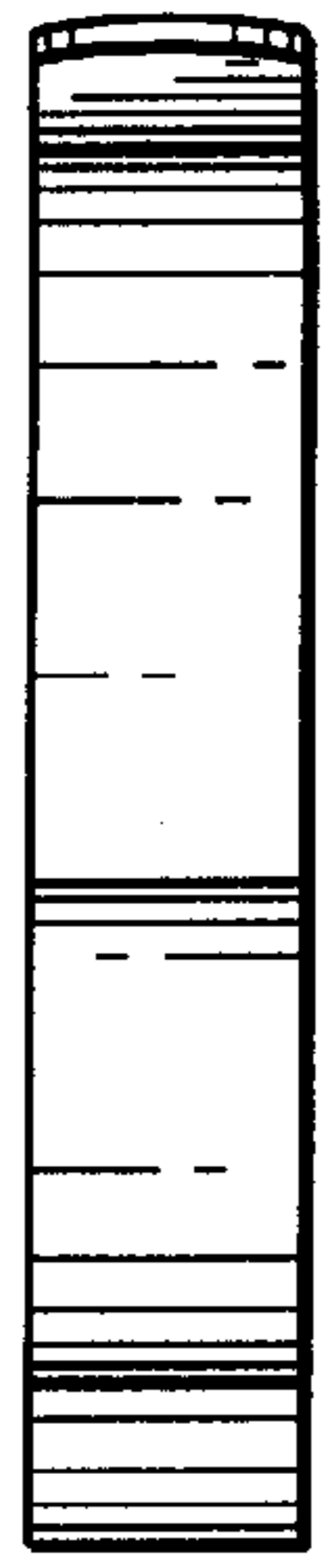


FIG. 4

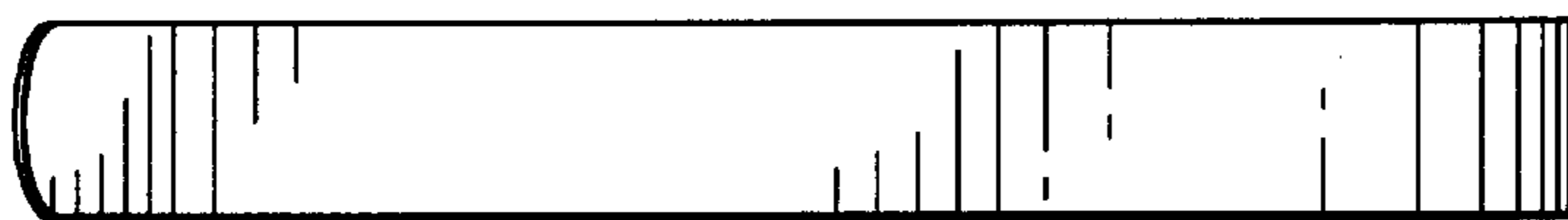


FIG. 5



FIG. 6