



US00D447931B1

(12) **United States Design Patent**
Aitken

(10) **Patent No.:** **US D447,931 S**

(45) **Date of Patent:** **** Sep. 18, 2001**

(54) **ALIGNING SUPPORT FOR TUBES**

4,618,114 * 10/1986 McFarland 248/65
5,992,802 * 11/1999 Campbell 248/68.1

(76) **Inventor:** **W. Sidney Aitken**, 13581 Desmond St.,
Pacoima, CA (US) 91331

* cited by examiner

(**) **Term:** **14 Years**

Primary Examiner—Pamela Burgess
(74) *Attorney, Agent, or Firm*—Donald D. Mon

(21) **Appl. No.:** **29/132,921**

(57) **CLAIM**

(22) **Filed:** **Nov. 17, 2000**

The ornamental design for an aligning support for tubes, as shown and described.

(51) **LOC (7) Cl.** **08-05**

(52) **U.S. Cl.** **D8/354**

(58) **Field of Search** D8/354, 356, 373,
D8/380, 349, 384; D24/128; 52/685-687,
690, 688, 438, 693, 677, 696, 689; 248/71,
74.5, 68.1, 74.4, 81, 83, 89; D25/199

DESCRIPTION

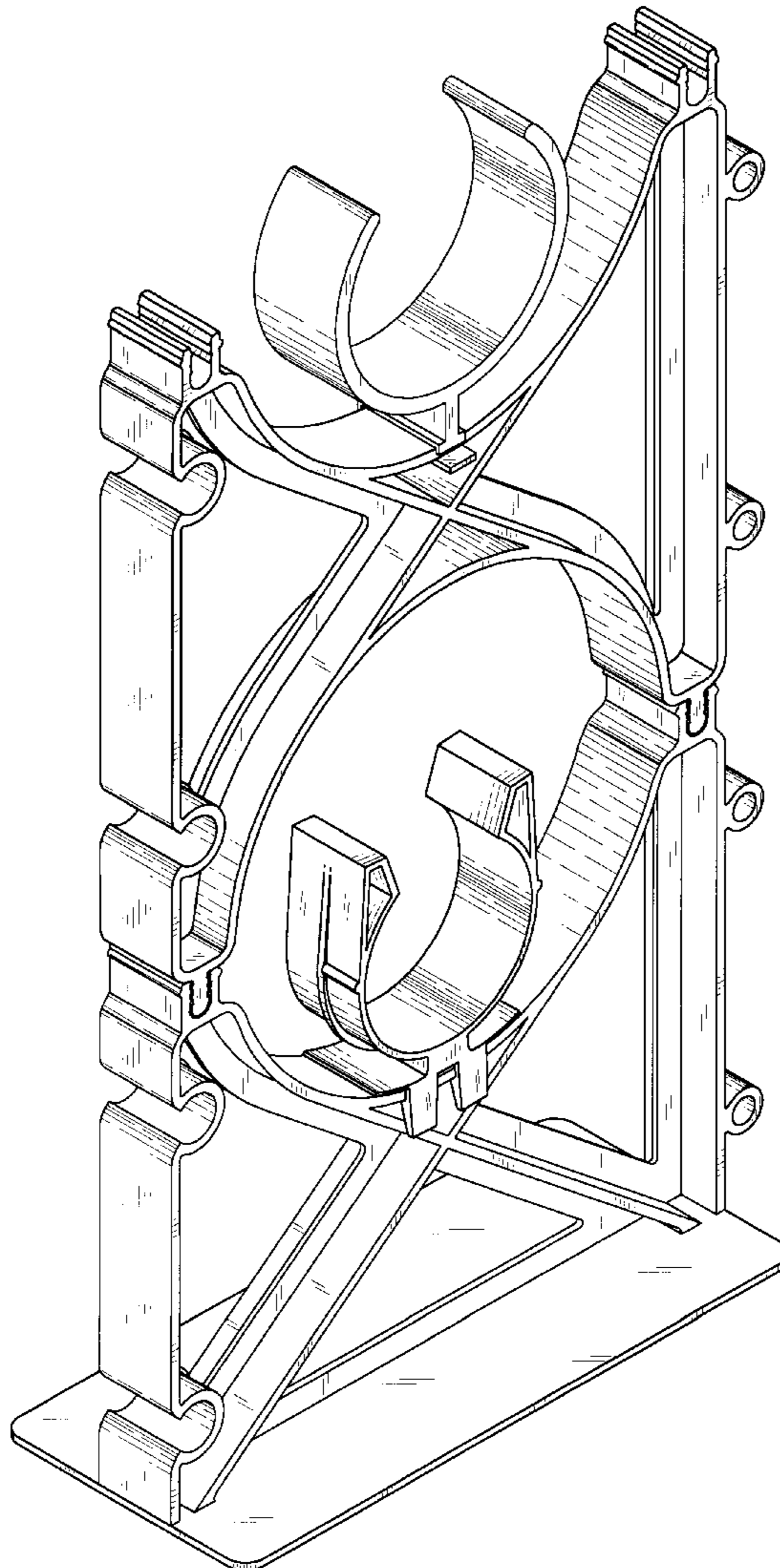
FIG. 1 is a top perspective view of an aligning support for tubes showing my new design;
FIG. 2 is a front elevational view thereof;
FIG. 3 is a right side elevational view thereof;
FIG. 4 is a rear elevational view thereof;
FIG. 5 is a left side elevational view thereof;
FIG. 6 is a top plan view thereof; and,
FIG. 7 is a bottom plan view.

(56) **References Cited**

U.S. PATENT DOCUMENTS

D. 246,826 * 1/1978 Iukowicz D8/354
4,306,697 * 12/1981 Mathews 248/68.1

1 Claim, 4 Drawing Sheets



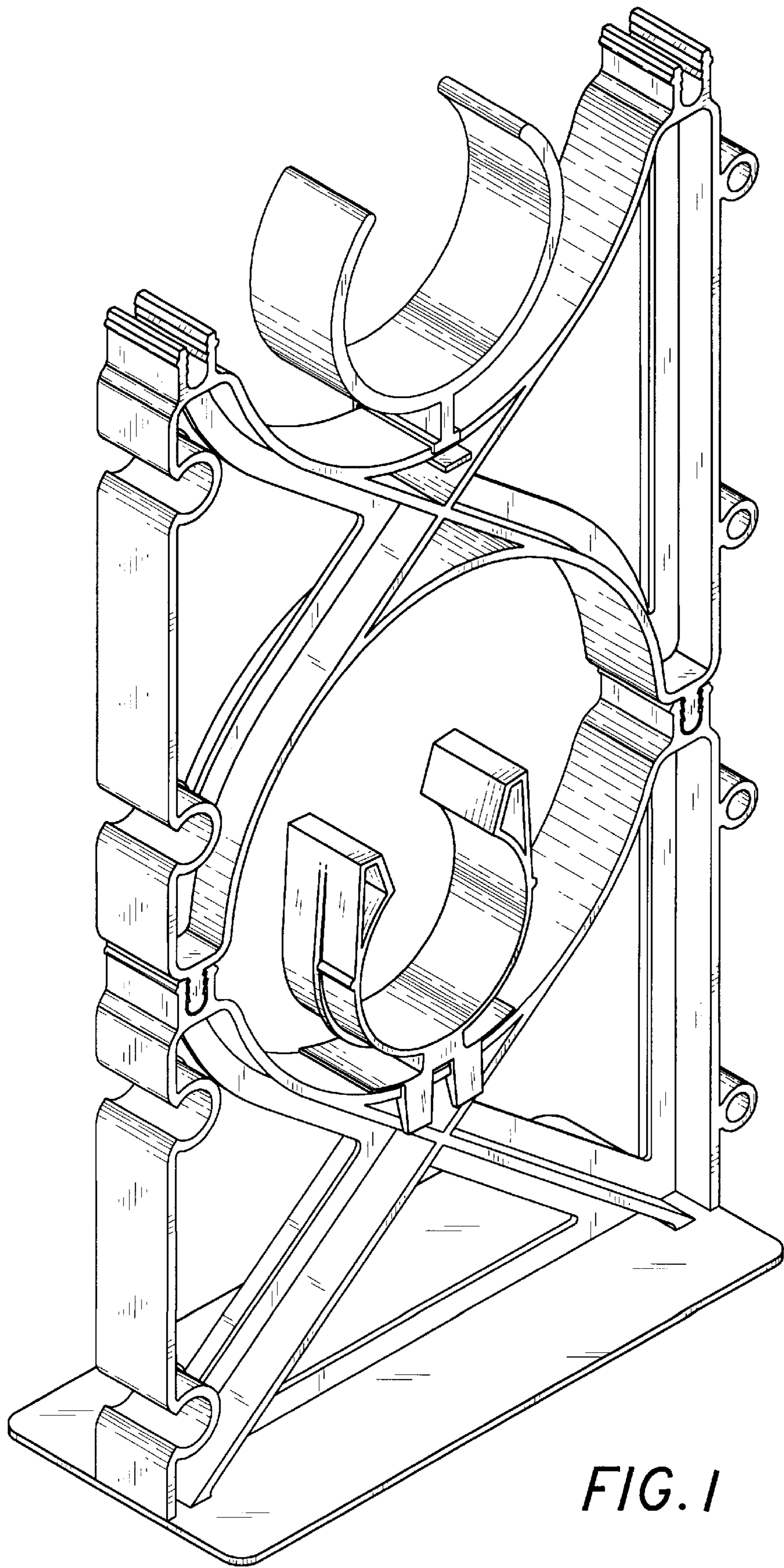


FIG. 1

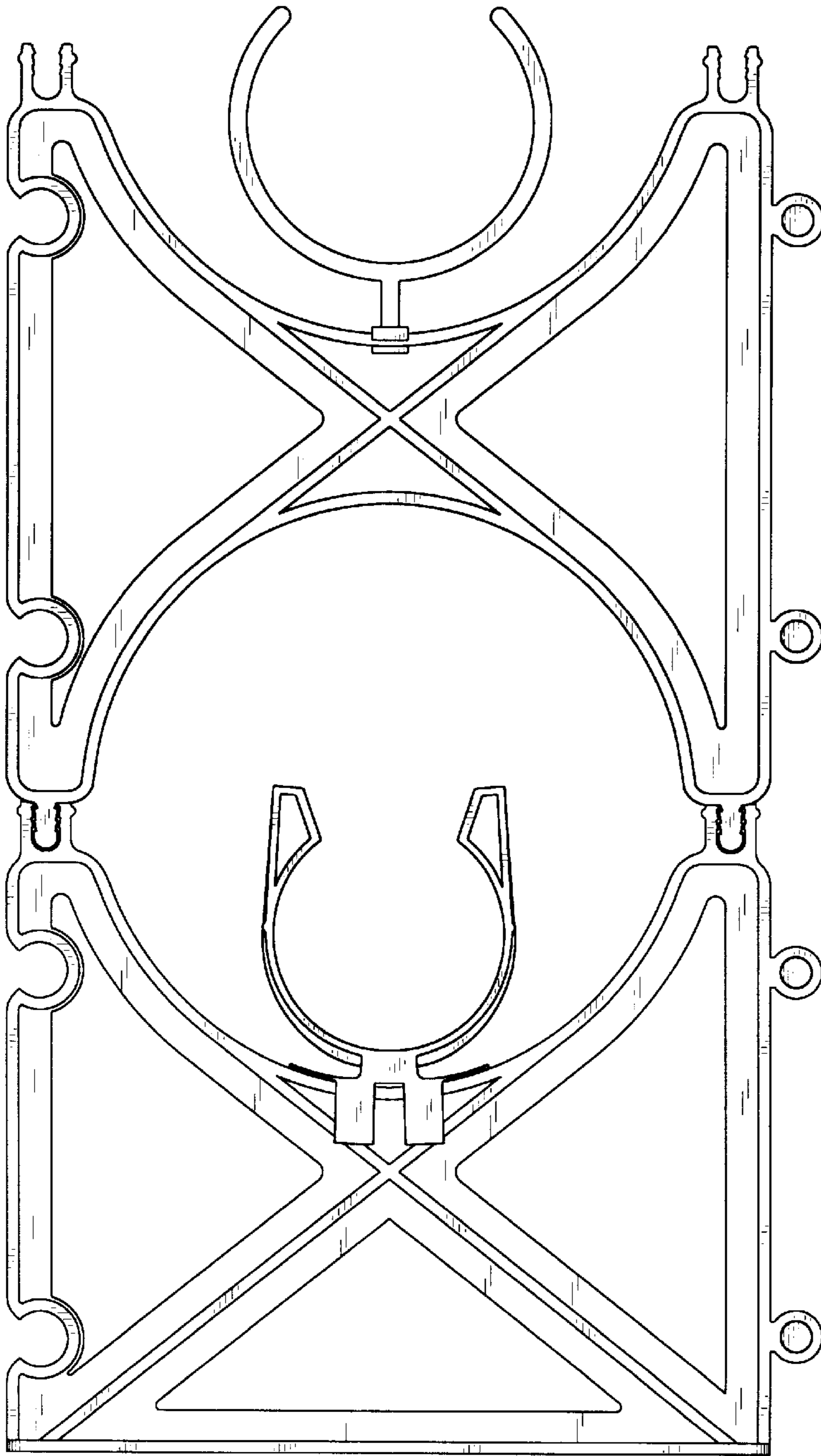


FIG. 2

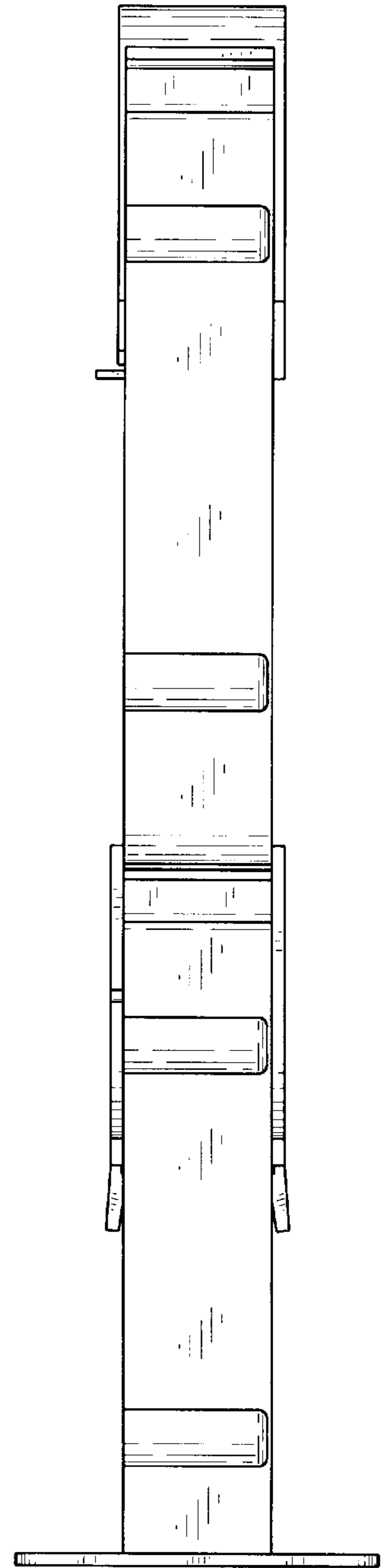


FIG. 3

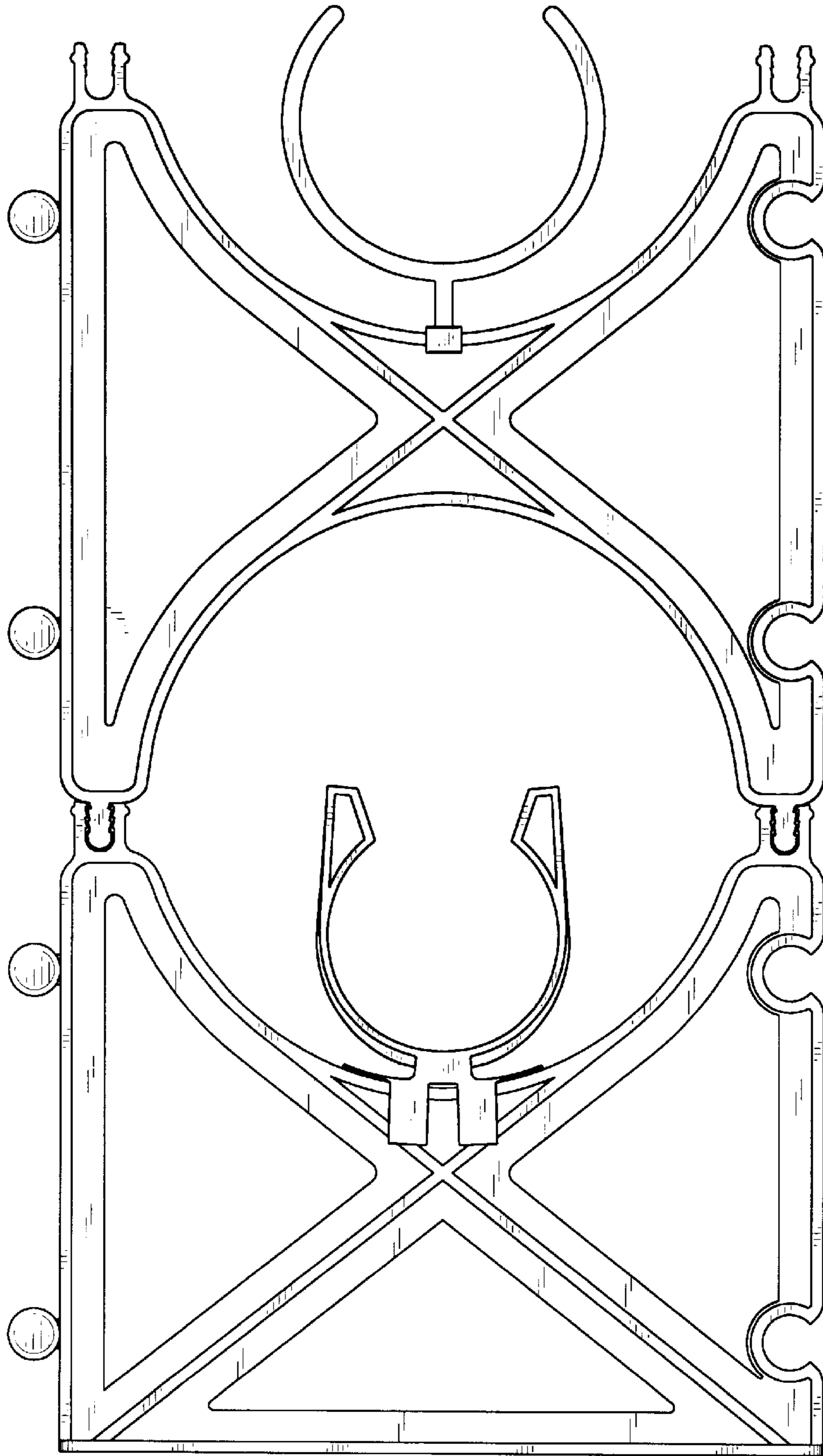


FIG. 4

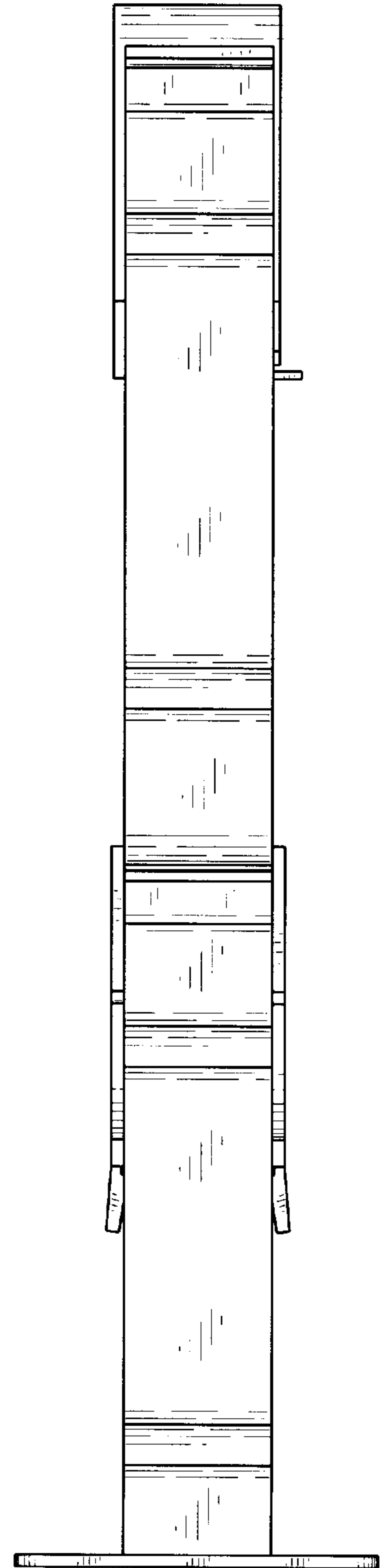


FIG. 5

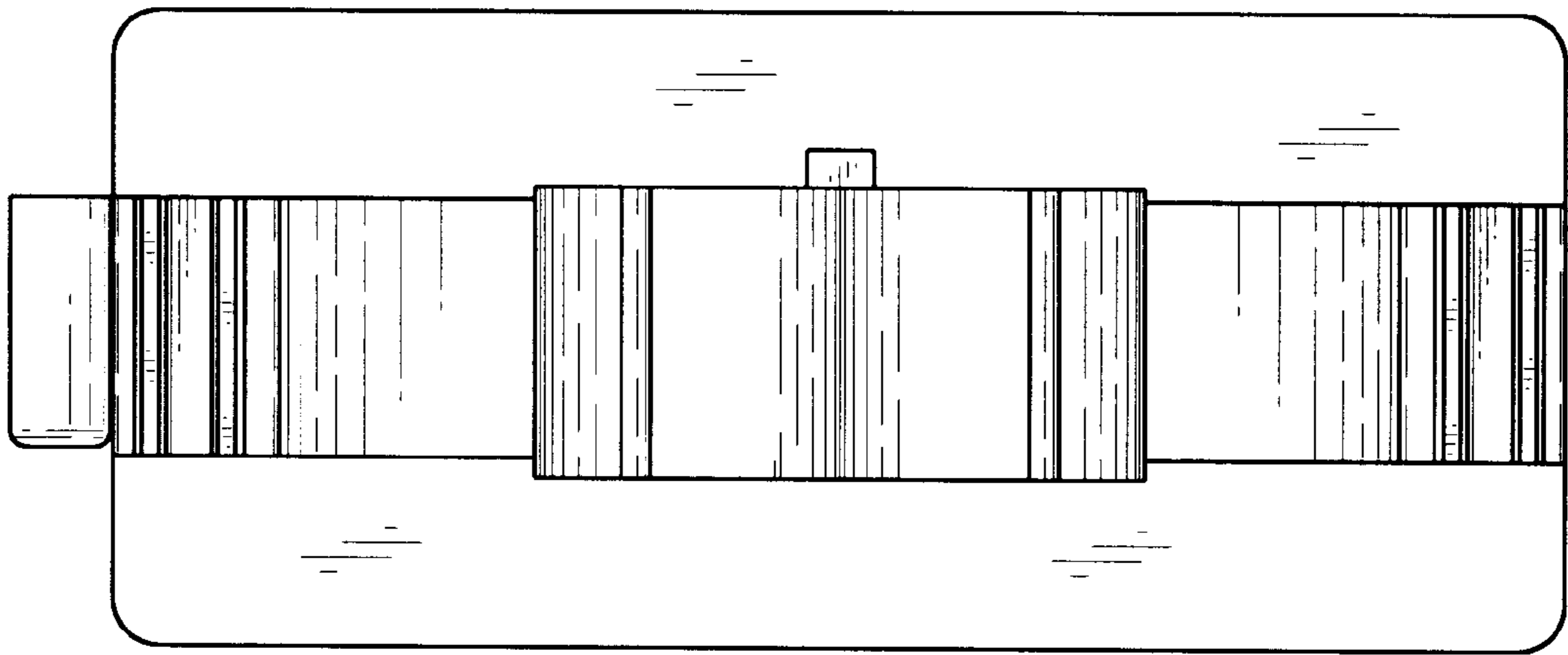


FIG. 6

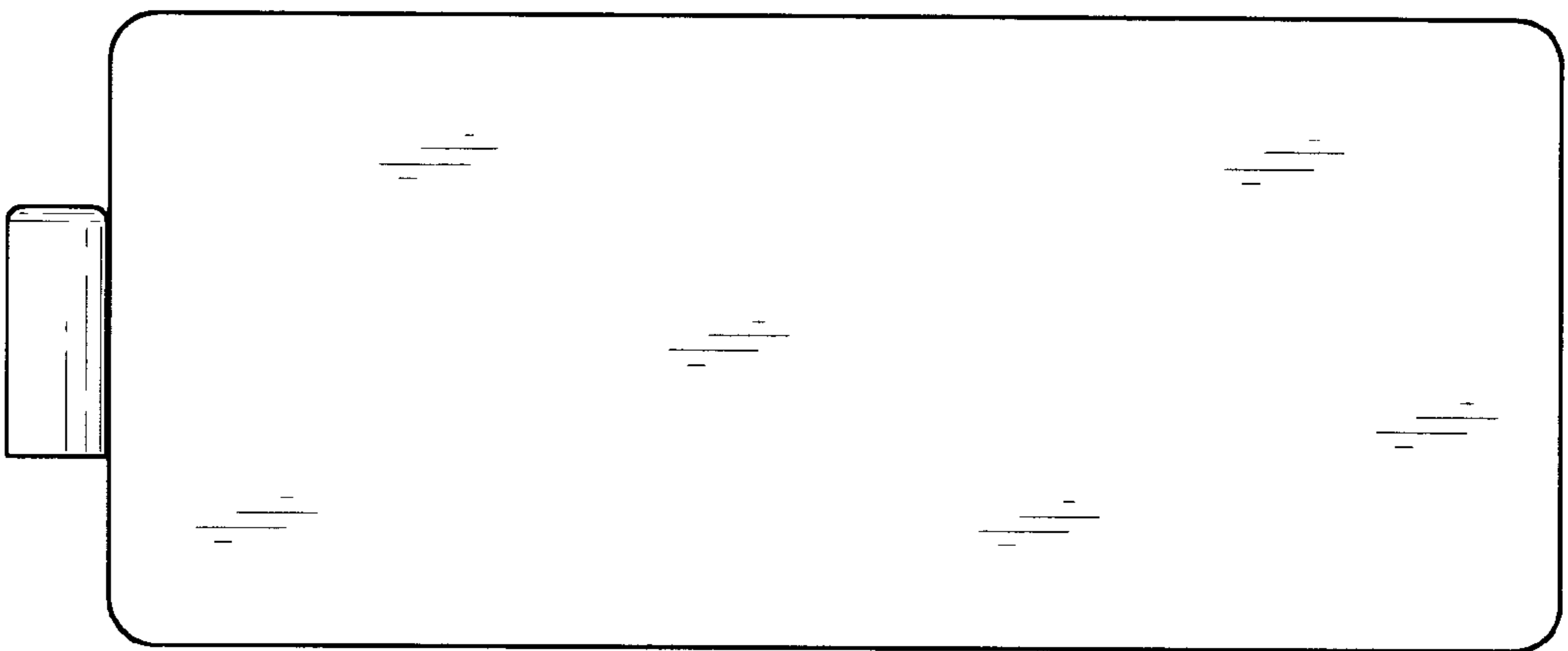


FIG. 7