



US00D447928B1

(12) **United States Design Patent**  
**Weiland**

(10) **Patent No.:** **US D447,928 S**

(45) **Date of Patent:** **\*\* Sep. 18, 2001**

(54) **SCISSOR ARM**

(75) Inventor: **Nicholas Roy Weiland**, Worcester (GB)

(73) Assignee: **Southco, Inc.**, Concordville, PA (US)

(\*\*) Term: **14 Years**

(21) Appl. No.: **29/112,144**

(22) Filed: **Oct. 11, 1999**

(51) **LOC (7) Cl.** ..... **08-07**

(52) **U.S. Cl.** ..... **D8/336**

(58) **Field of Search** ..... D8/330, 331, 336;  
292/110, 121, 128, 219, 228

(56) **References Cited**

**U.S. PATENT DOCUMENTS**

D. 214,028 \* 5/1969 Weiner ..... D8/330  
4,093,176 \* 6/1978 Contastin ..... 292/110 X

\* cited by examiner

*Primary Examiner*—Susan J. Lucas

*Assistant Examiner*—Jennifer Rivard

(74) *Attorney, Agent, or Firm*—Paul & Paul

(57) **CLAIM**

The ornamental design for a scissor arm, as shown and described.

**DESCRIPTION**

FIG. 1 is perspective view of an embodiment of a scissor arm embodying my new design and shown in an open position;

FIG. 2 is a front elevational view thereof;

FIG. 3 is top plan view thereof;

FIG. 4 is a right side elevational view thereof;

FIG. 5 is a perspective view of the scissor arm of FIG. 1 and shown in a position near a closed position;

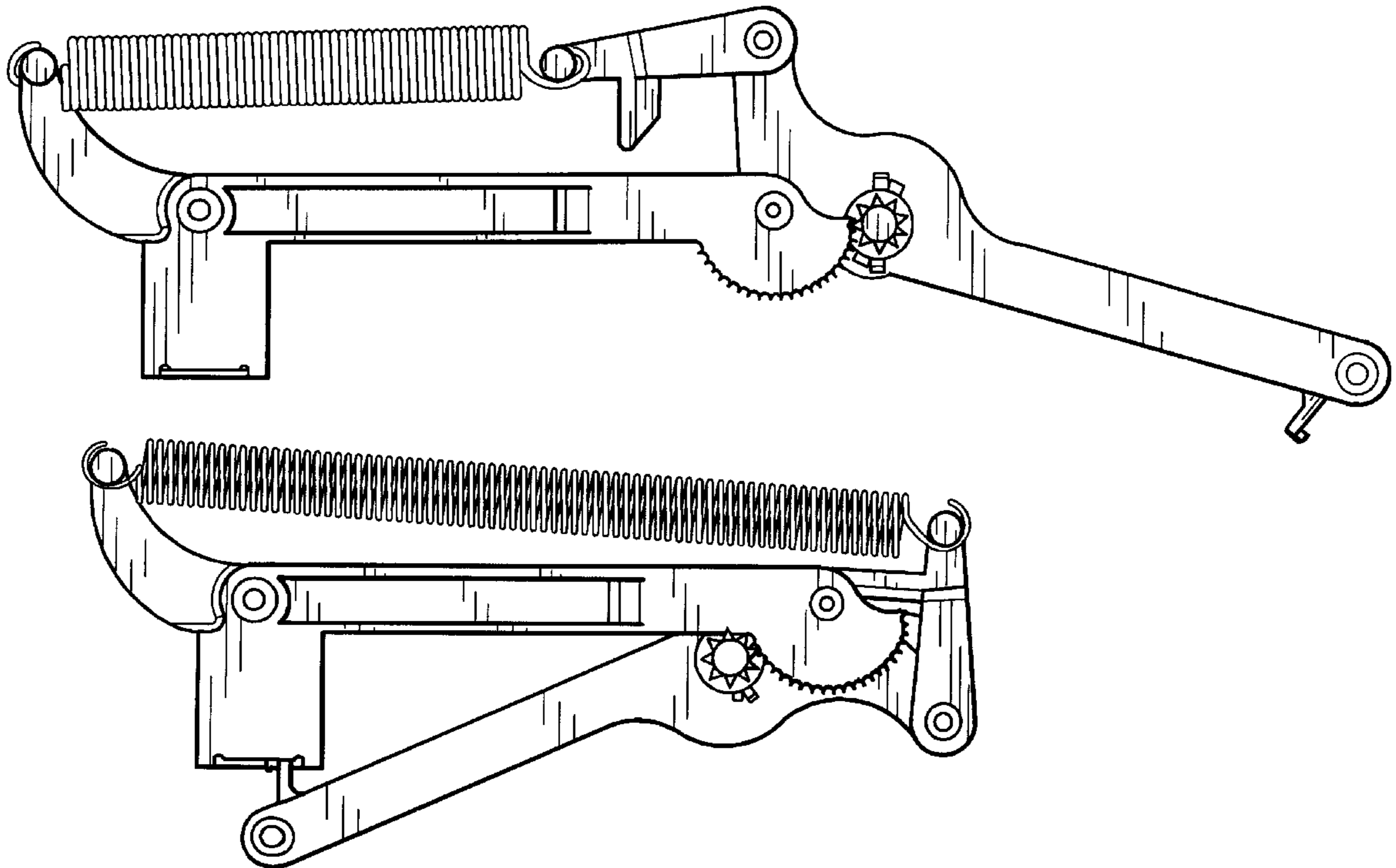
FIG. 6 is a front elevational view of the scissor arm of FIG. 5;

FIG. 7 is a bottom plan view of the scissor arm of FIG. 5;

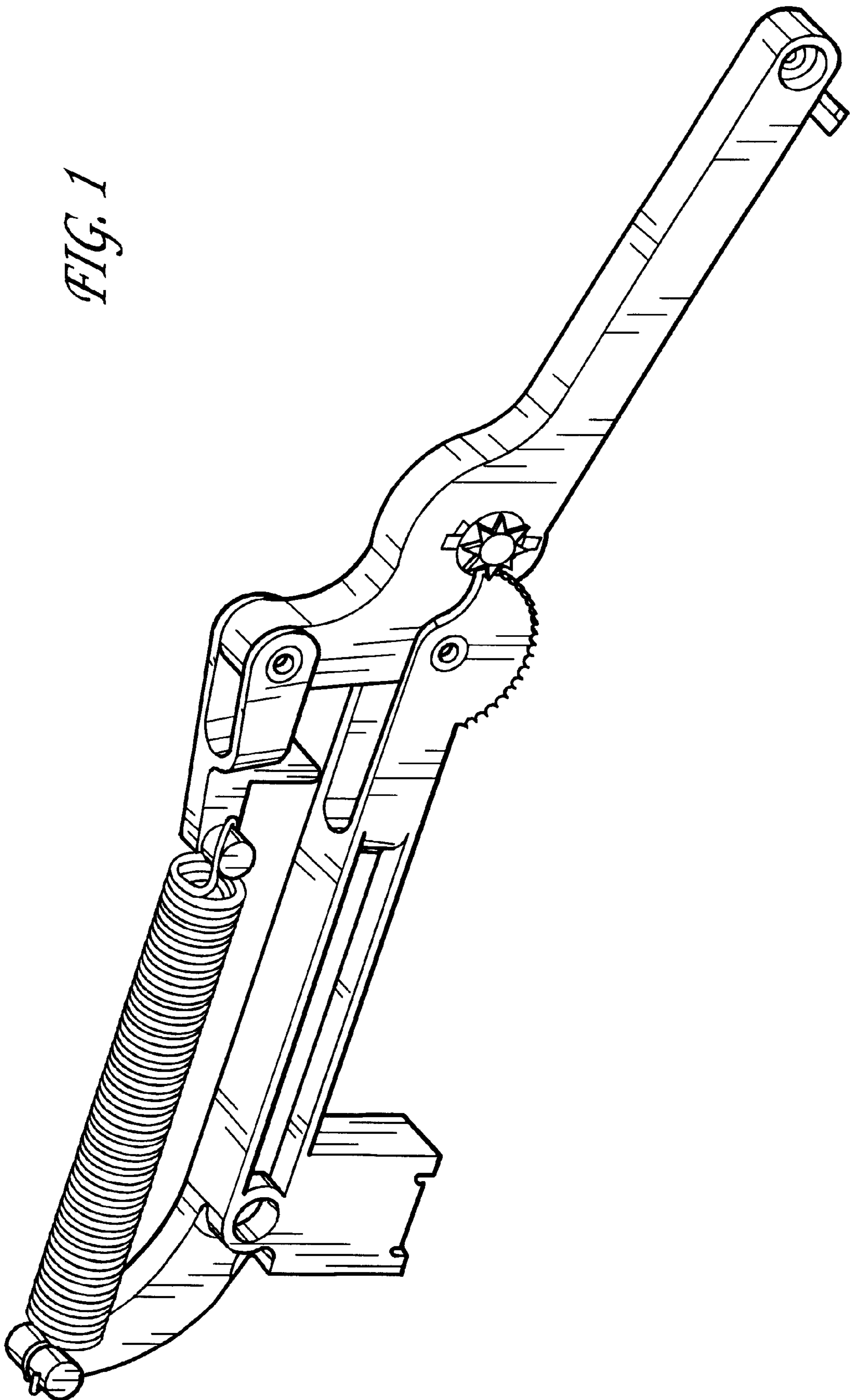
and,

FIG. 8 is a left side elevational view of the scissor arm of FIG. 5.

**1 Claim, 4 Drawing Sheets**



*FIG. 1*



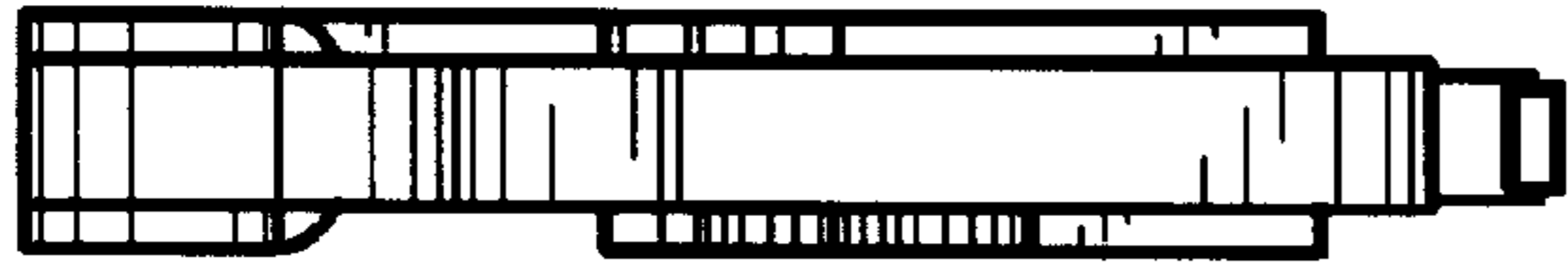


FIG. 4

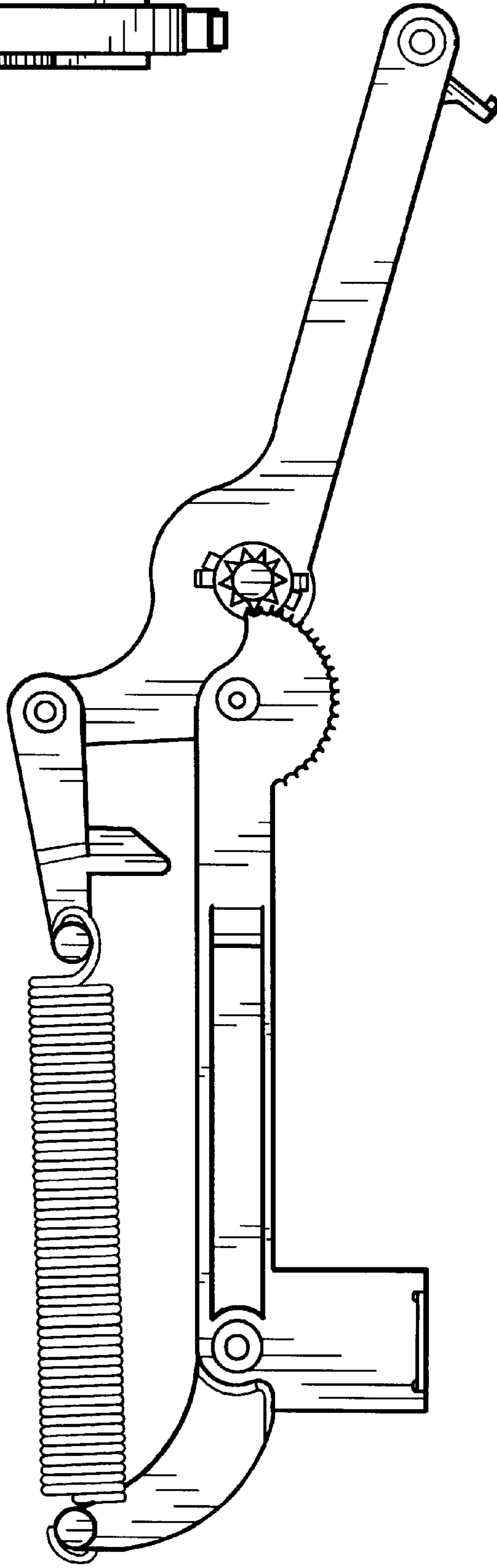


FIG. 2

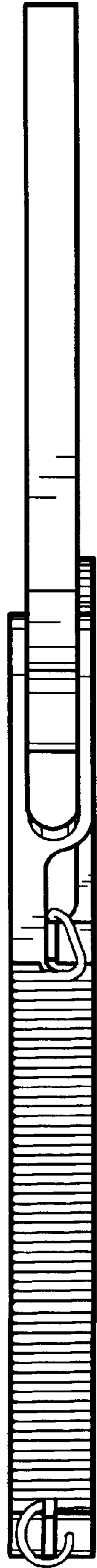
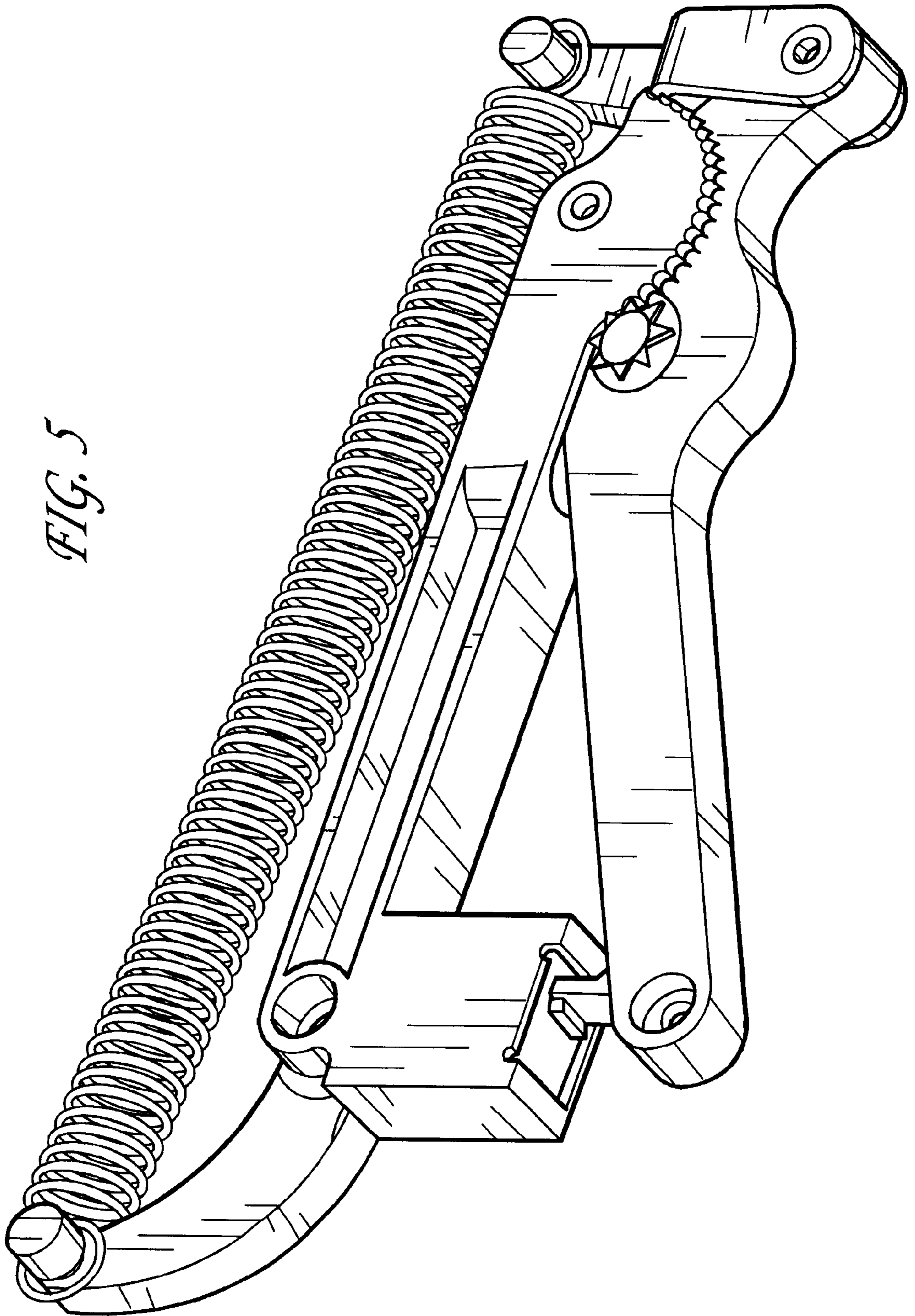
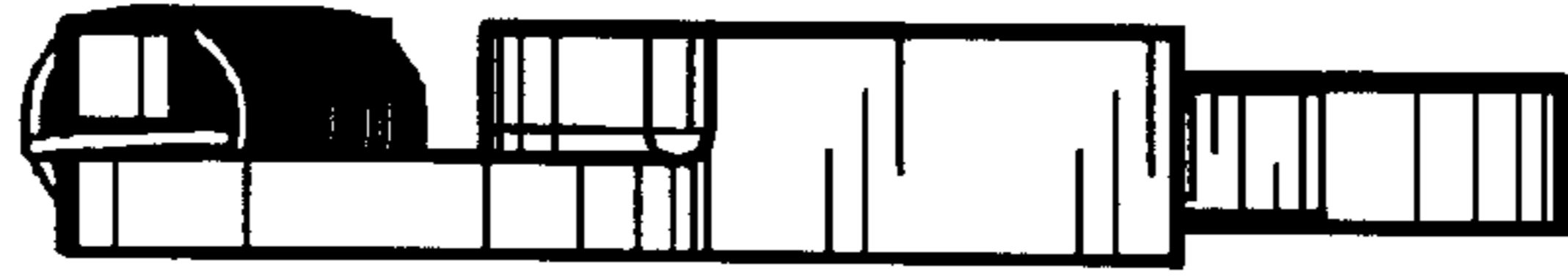
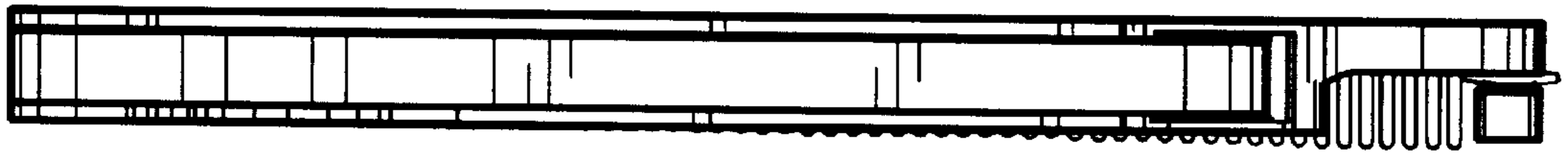


FIG. 3

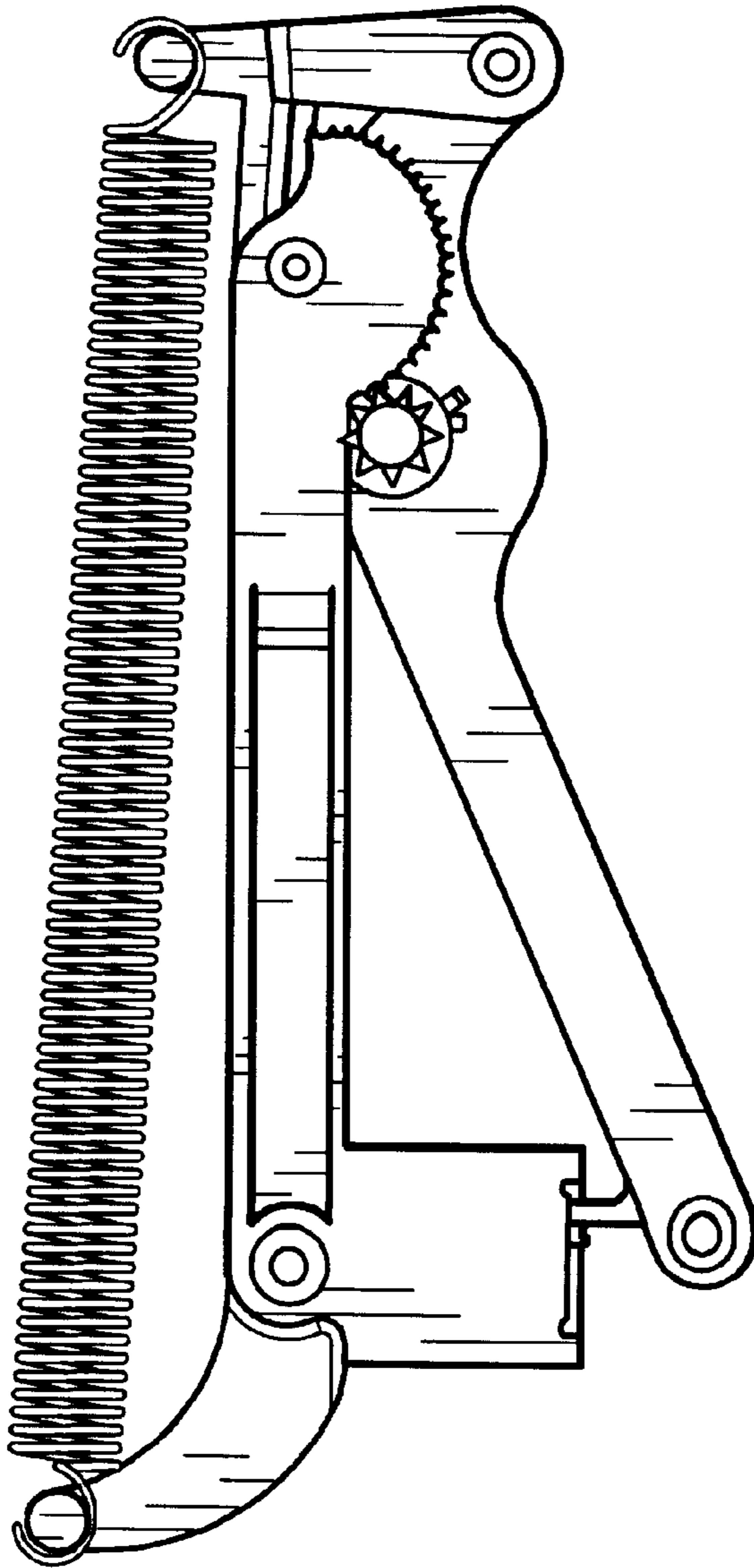


*FIG. 5*

*FIG. 7*



*FIG. 8*



*FIG. 6*