



US00D447927B1

(12) **United States Design Patent**
LaPlume et al.

(10) **Patent No.:** **US D447,927 S**

(45) **Date of Patent:** **** Sep. 18, 2001**

(54) **HANDLESET**

Weslotk/National brochure; Mansion handleset.*

(75) Inventors: **Zhiqian LaPlume**, Huntington Beach;
Anthony J. Carsello, Chino Hills, both
of CA (US)

* cited by examiner

(73) Assignee: **Emhart Inc.**, Newark, DE (US)

Primary Examiner—B. J. Bullock

(**) Term: **14 Years**

(74) *Attorney, Agent, or Firm*—Richard J. Veltman; John D. Del Ponti

(21) Appl. No.: **29/136,953**

(22) Filed: **Feb. 8, 2001**

(51) **LOC (7) Cl.** **08-06**

(52) **U.S. Cl.** **D8/302; D8/317; D8/350**

(58) **Field of Search** D8/300–302, 350,
D8/352, 353; D6/550; 292/336.3, 347, 357;
16/402; 174/66; 220/241; 70/450, 452

(57) **CLAIM**

The ornamental design for a handleset, as shown and described.

DESCRIPTION

(56) **References Cited**

U.S. PATENT DOCUMENTS

D. 312,565	12/1990	Abraham et al. .	
D. 356,485	* 3/1995	Off	D8/317
D. 362,380	9/1995	Ellis et al. .	
D. 362,609	* 9/1995	Ellis et al.	D8/302
D. 363,204	10/1995	Ellis et al. .	
D. 375,886	* 11/1996	Mattson et al.	D8/301

FIG. 1 is a perspective view of the new design for a handleset;

FIG. 2 is a top plan view of the new design for a handleset;

FIG. 3 is a bottom plan view of the new design for a handleset;

FIG. 4 is a right side elevational view of the new design for a handleset; and,

FIG. 5 is a front elevational view of the new design for a handleset.

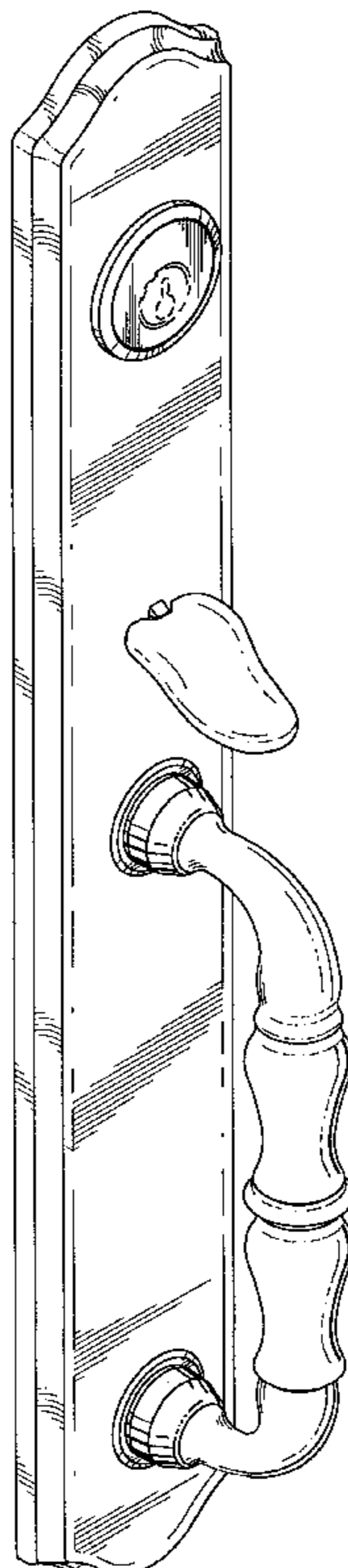
The broken lines are for illustrative purposes only and form no part of the claimed design.

OTHER PUBLICATIONS

Weiser Locks brochure; Marielle handleset.*

Elegance in Solid Brass; Valli & Columbo; p. 6; H 131/8 handleset.*

1 Claim, 2 Drawing Sheets



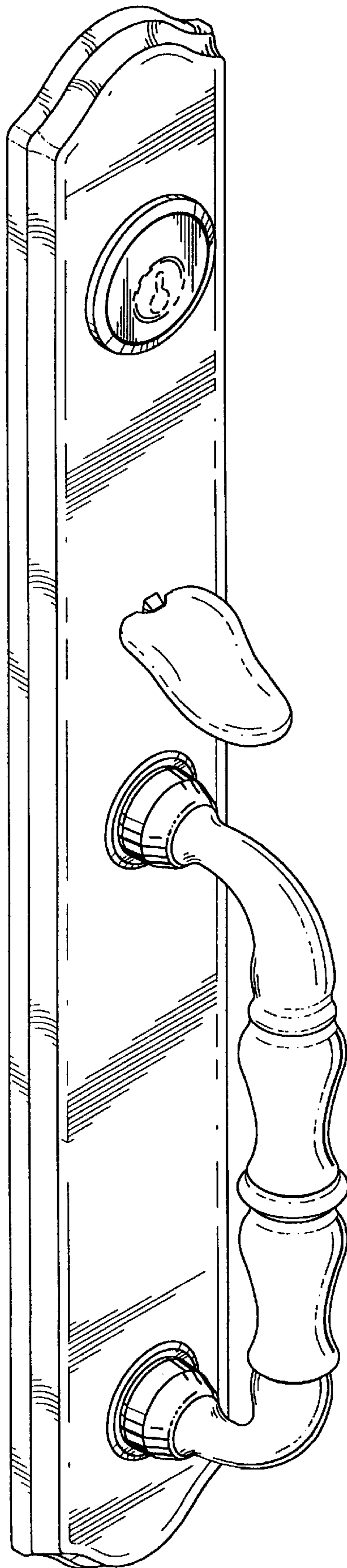


FIG. 1

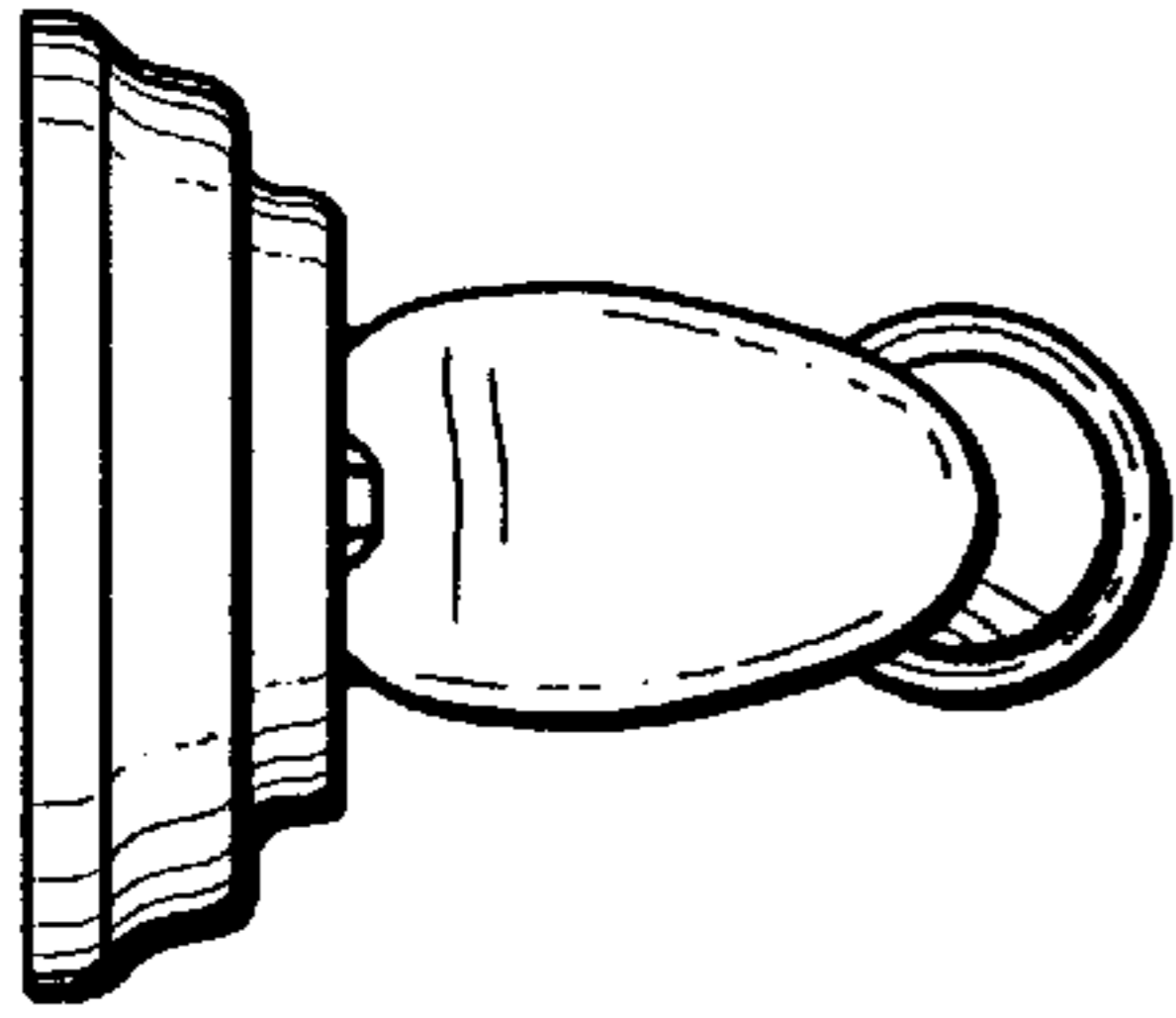


FIG. 2

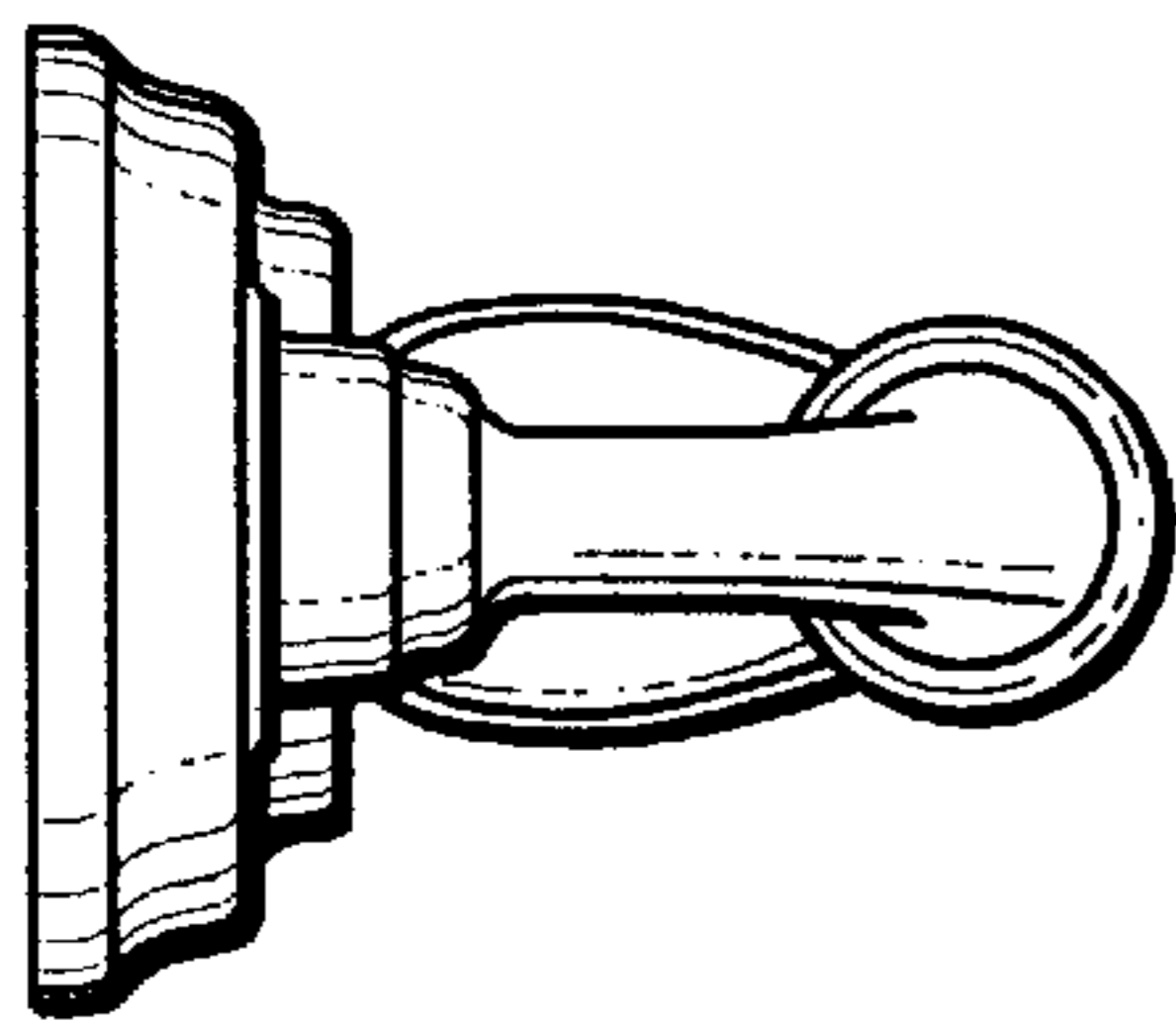


FIG. 3

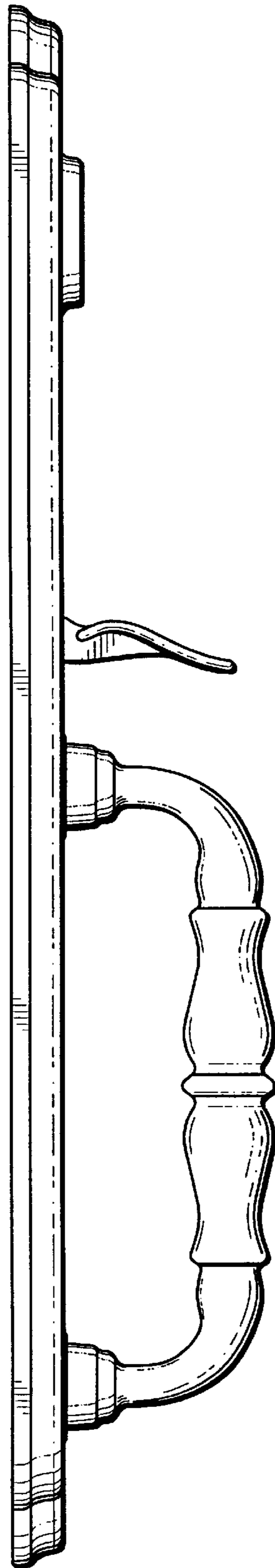


FIG. 4

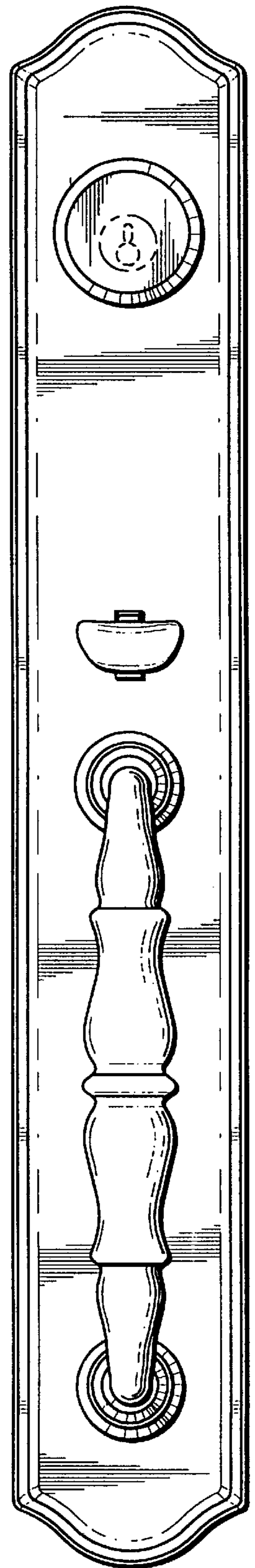


FIG. 5