



US00D447925B1

(12) **United States Design Patent**
Osborne

(10) **Patent No.:** **US D447,925 S**

(45) **Date of Patent:** **** Sep. 18, 2001**

(54) **KNIFE HANDLE**

(75) Inventor: **Warren Osborne**, Waxahachie, TX
(US)

(73) Assignee: **Mentor Group LLC**, Oregon City, OR
(US)

(**) Term: **14 Years**

(21) Appl. No.: **29/134,377**

(22) Filed: **Aug. 9, 2000**

(51) **LOC (7) Cl.** **08-03**

(52) **U.S. Cl.** **D8/107; D8/99; D7/393;**
D7/649

(58) **Field of Search** D8/107, 98-100,
D8/DIG. 7; D7/393, 395, 649; 16/111 R;
30/151-162

(56) **References Cited**

U.S. PATENT DOCUMENTS

D. 428,789 * 8/2000 McHenry et al. D8/99

D. 431,991 * 10/2000 Elishewitz D8/99
D. 439,492 * 3/2001 Martone et al. D8/99
2,787,059 * 4/1957 Wingen D7/649

* cited by examiner

Primary Examiner—Alan P. Douglas

Assistant Examiner—Clare E. Heflin

(74) *Attorney, Agent, or Firm*—ipsolon llp

(57) **CLAIM**

The ornamental design for a knife handle, as shown and described.

DESCRIPTION

FIG. 1 is a top perspective view of a knife handle, showing my new design;
FIG. 2 is a left end plan view showing the blade end thereof;
FIG. 3 is a right end plan view showing the butt end thereof;
FIG. 4 is a top plan view thereof;
FIG. 5 is a bottom plan view thereof; and,
FIG. 6 is a right side elevational view, the left side elevational view being a mirror image thereof.

1 Claim, 2 Drawing Sheets

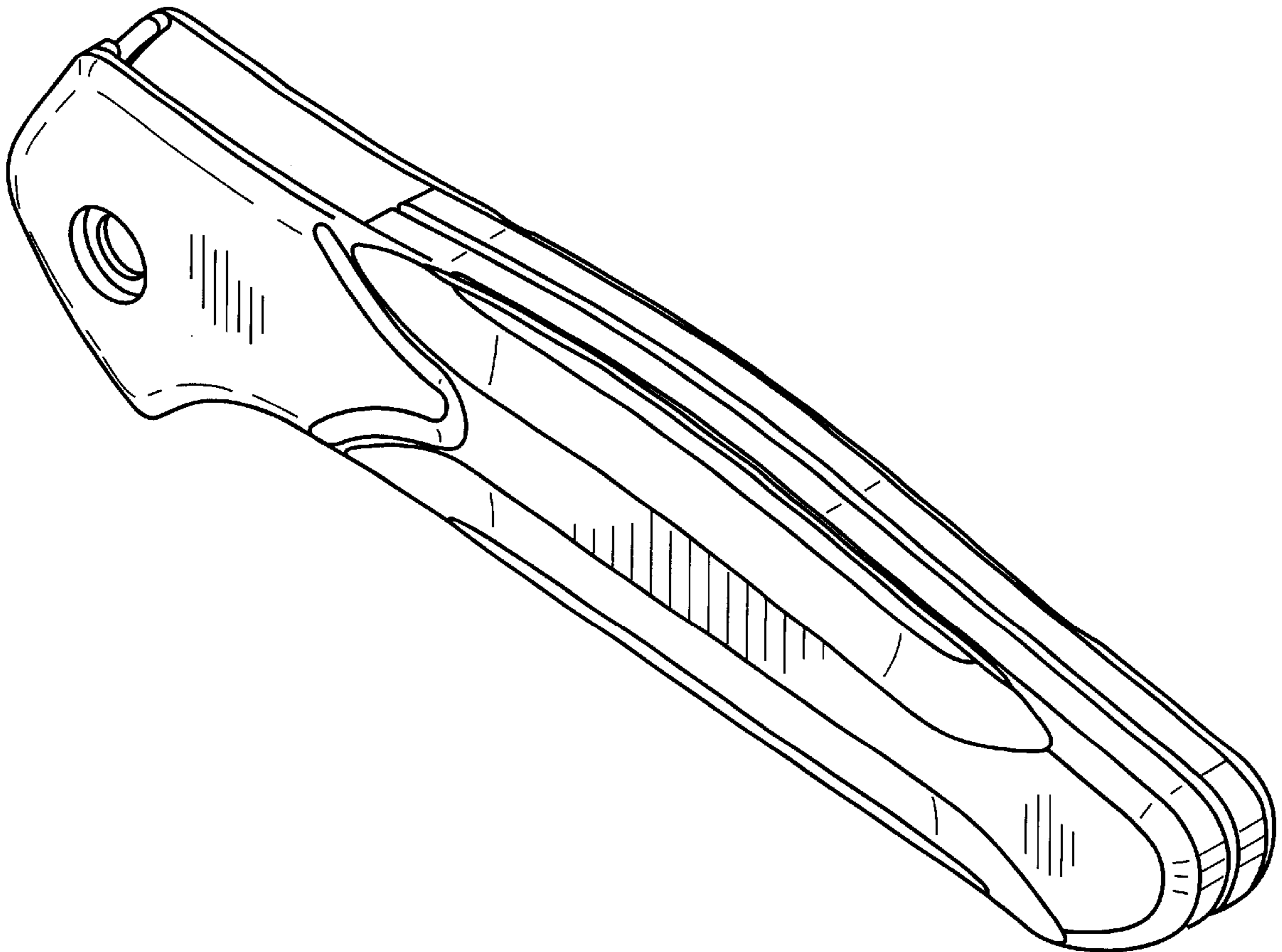


Fig. 1

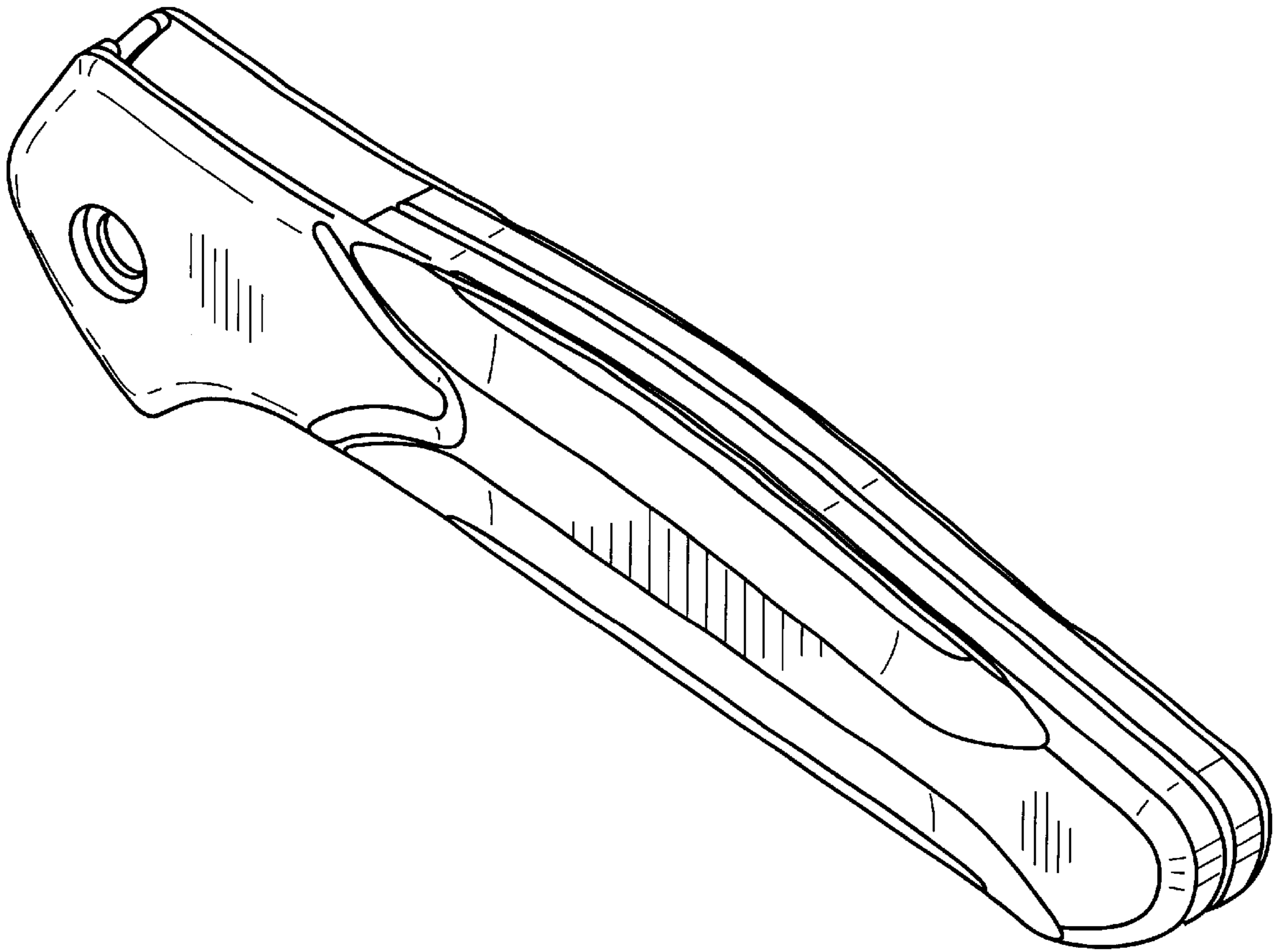


Fig. 2

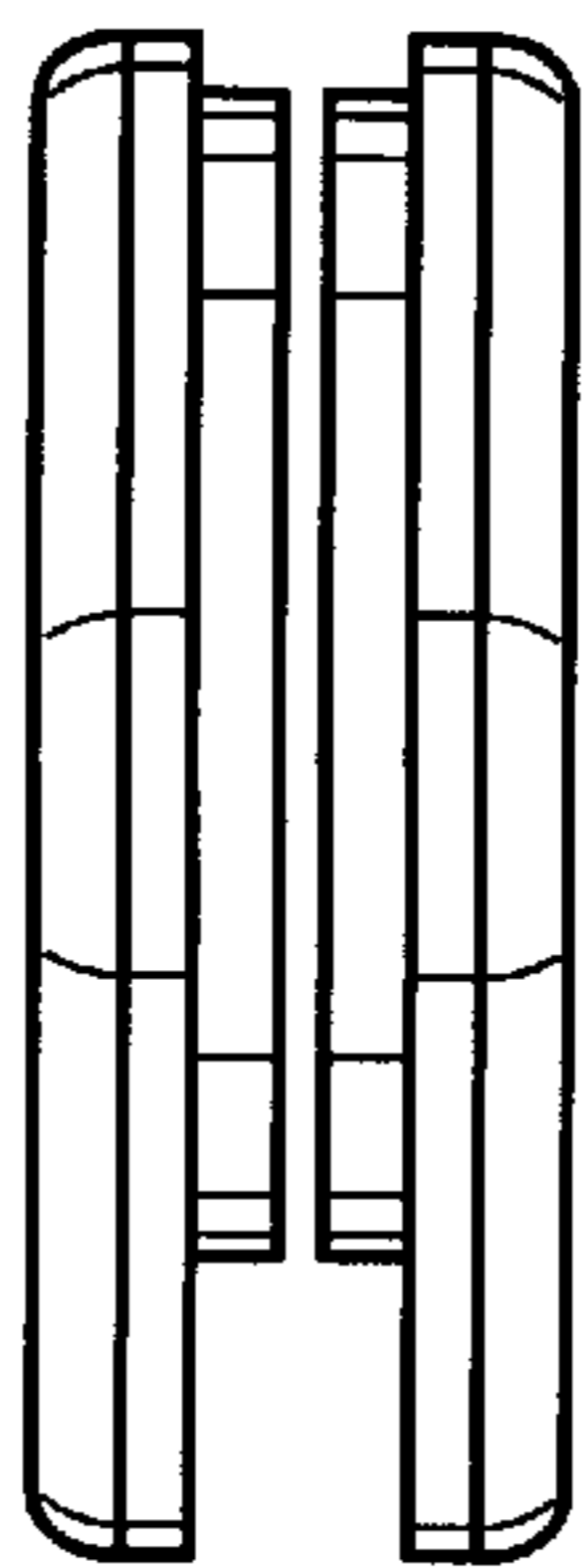


Fig. 3

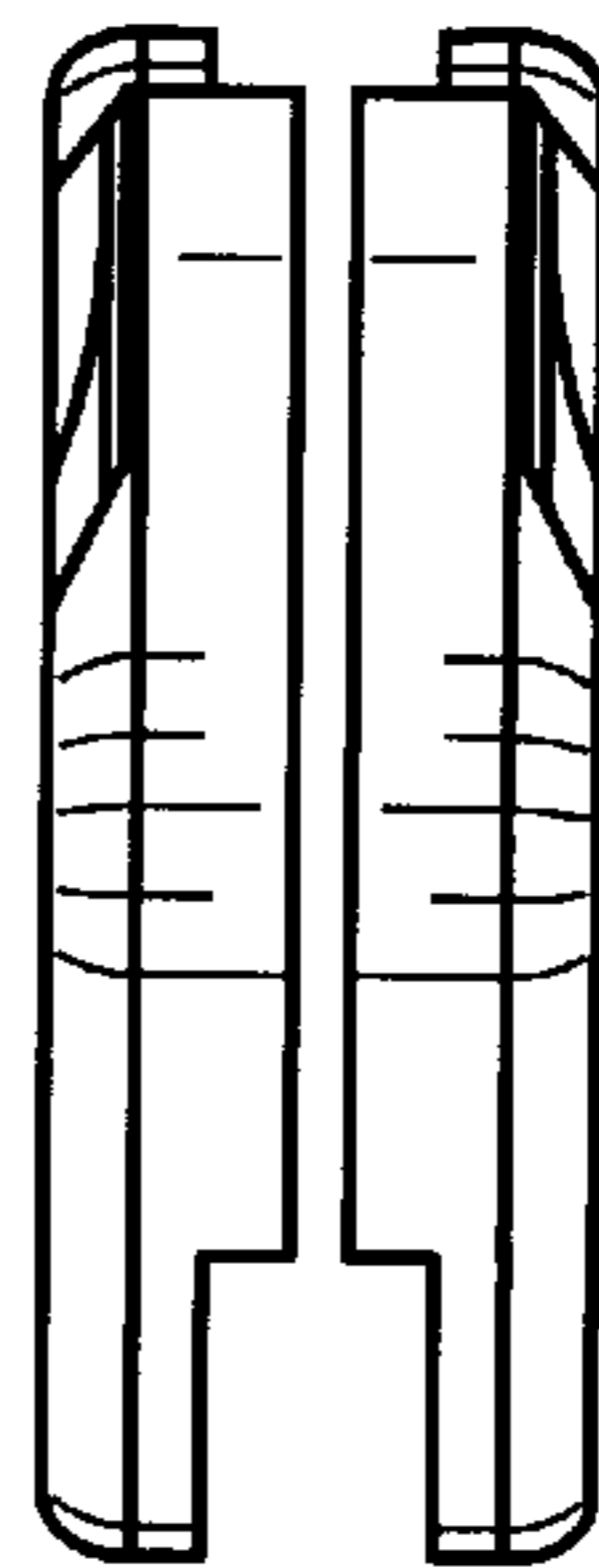


Fig. 4

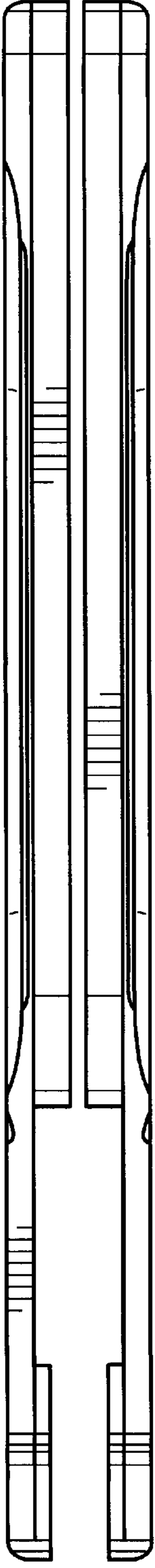


Fig. 5

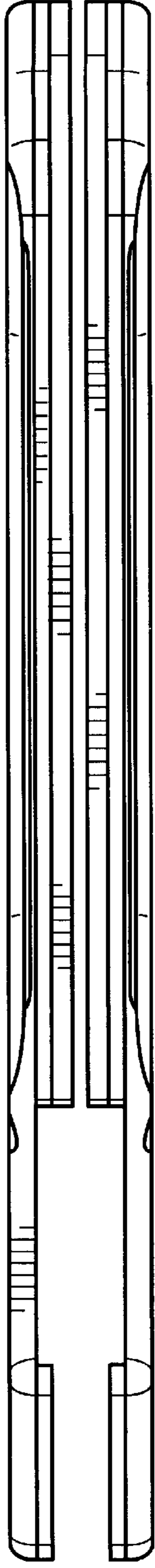


Fig. 6

