



US00D447923B1

(12) **United States Design Patent**
Taylor et al.

(10) **Patent No.:** **US D447,923 S**

(45) **Date of Patent:** **** Sep. 18, 2001**

(54) **COMBINATION CONTAINER OPENER**

2186868 2/1987 (GB) .

2258227 7/1992 (GB) .

2291412 1/1996 (GB) .

(75) Inventors: **Curtis Taylor**, Chagrin Falls; **Jeffrey S. Plantz**, Seven Hills; **Nicholas E. Stanca**, Westlake, all of OH (US)

* cited by examiner

Primary Examiner—Caron D. Veynar

(73) Assignee: **Apex Medical Corporation**, Sioux Falls, SD (US)

(74) *Attorney, Agent, or Firm*—Robert H. Earp, III

(**) Term: **14 Years**

(57) **CLAIM**

(21) Appl. No.: **29/074,916**

The ornamental design for combination container opener, as shown and described.

(22) Filed: **Aug. 11, 1997**

DESCRIPTION

(51) **LOC (7) Cl.** **07-99**

(52) **U.S. Cl.** **D8/40**

(58) **Field of Search** D8/33-43; 7/151-156;
30/400, 443, 450; 81/3.07, 3.09, 3.29, 3.4,
3.41, 3.55, 3.48, 3.57

FIG. 1 is a top perspective view of the combination container opener, showing our new design;

FIG. 2 is a bottom perspective view thereof;

FIG. 3 is a top plan view thereof;

FIG. 4 is a left side elevation view, the right side elevation view being a mirror image thereof;

FIG. 5 is a bottom plan view thereof;

FIG. 6 is a front plan view thereof;

FIG. 7 is a rear plan view thereof;

FIG. 8 is side plan view thereof, as being inserted into a box container;

FIG. 9 is a side plan view thereof, as inserted into a box container;

FIG. 10 is a side plan view thereof, as being operated to open a box container;

FIG. 11 is a bottom perspective view thereof, as being engaged with a twist-off cap;

FIG. 12 is a bottom perspective view thereof, as being operated to open a twist-off cap; and,

FIG. 13 is a top perspective view thereof, as engaged with a can tab.

The broken line showings in FIGS. 8-13 are for illustrative purposes only and form no part of the claimed design.

(56) **References Cited**

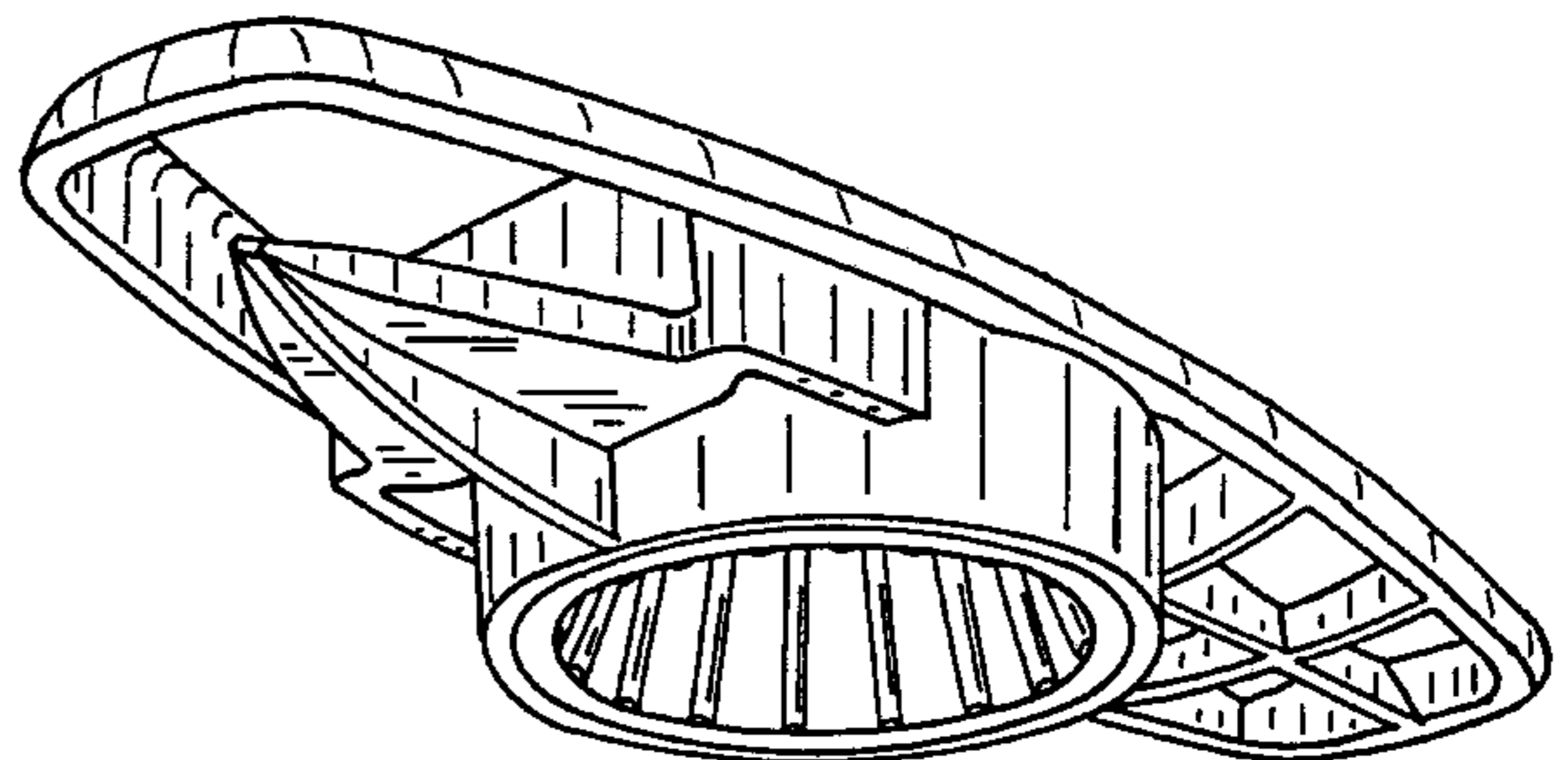
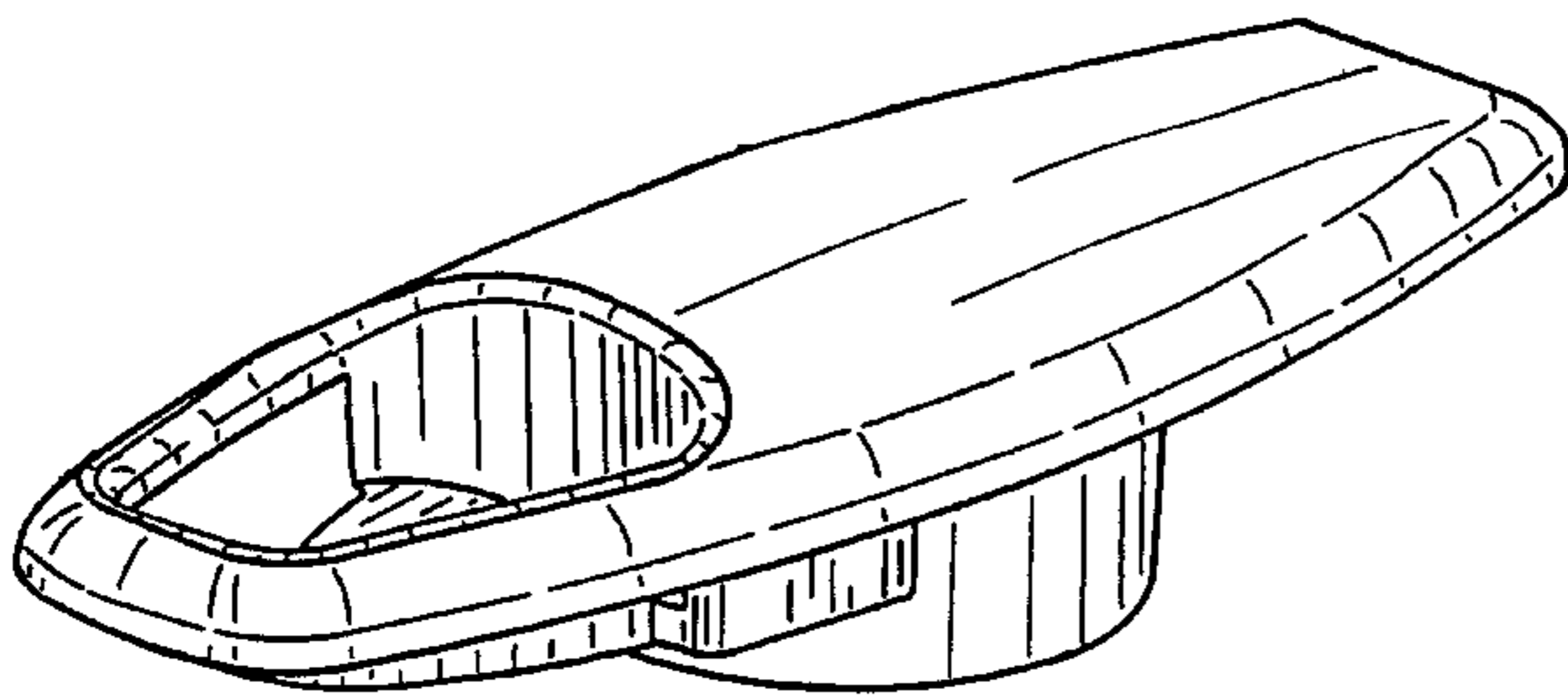
U.S. PATENT DOCUMENTS

D. 273,555	*	4/1984	Tanner	D8/40
D. 287,812	*	1/1987	Bordonaro et al.	D8/40
D. 311,668	*	10/1990	Bryant et al.	D8/40
959,220	*	5/1910	Hoeft	81/3.09
1,661,333		3/1928	Gurnett	81/3.09
2,761,337		9/1956	Daniel	81/3.4
4,001,904		1/1977	Gill	7/14.6
4,073,205		2/1978	Silliman	81/3.1
4,414,865		11/1983	Brooks et al.	81/3.1
4,455,894		6/1984	Roberts	81/3.1
4,702,129		10/1987	Allen	81/3.09
4,760,763		8/1988	Trick et al.	81/3.09
4,790,220		12/1988	Lloyd	81/3.09
4,911,038		3/1990	Ferrin	81/3.09

FOREIGN PATENT DOCUMENTS

2084549 8/1981 (GB) .

1 Claim, 4 Drawing Sheets



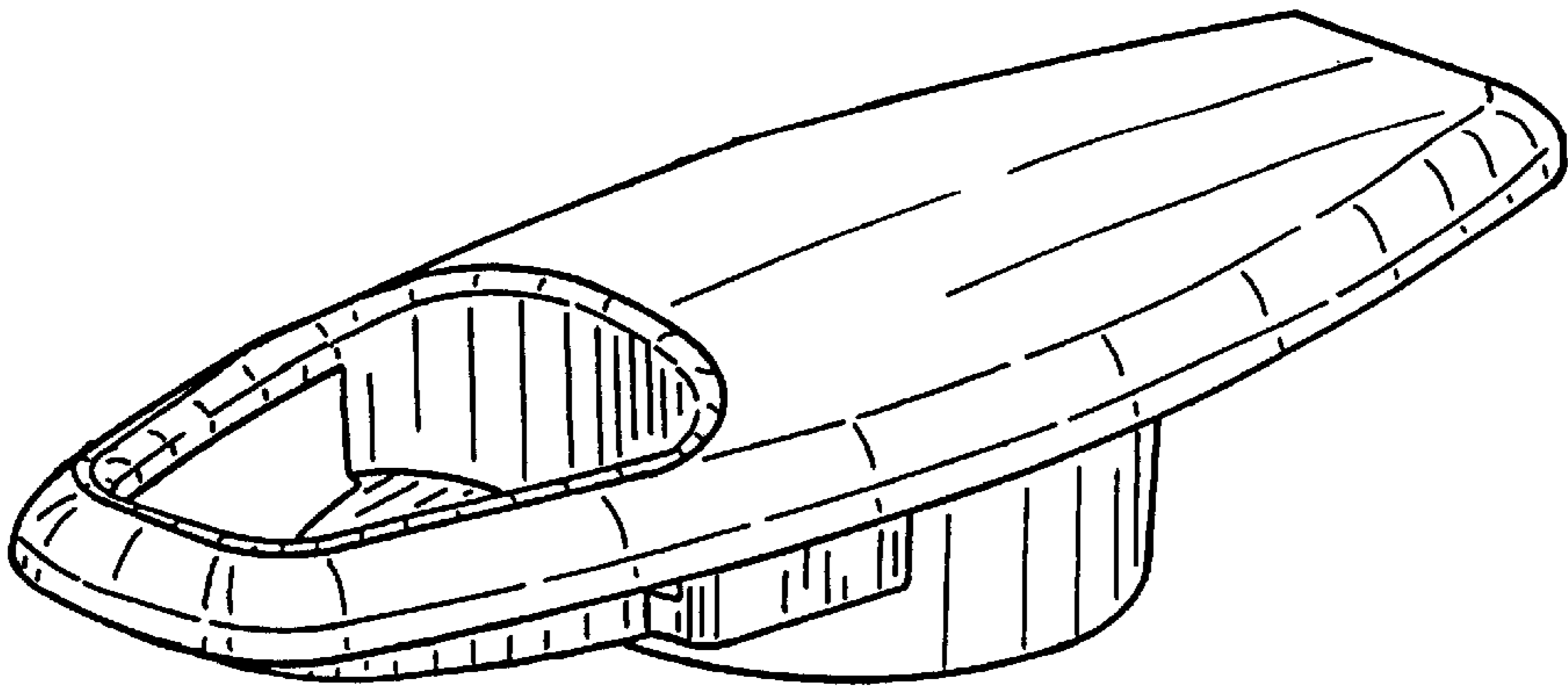


FIG. 1

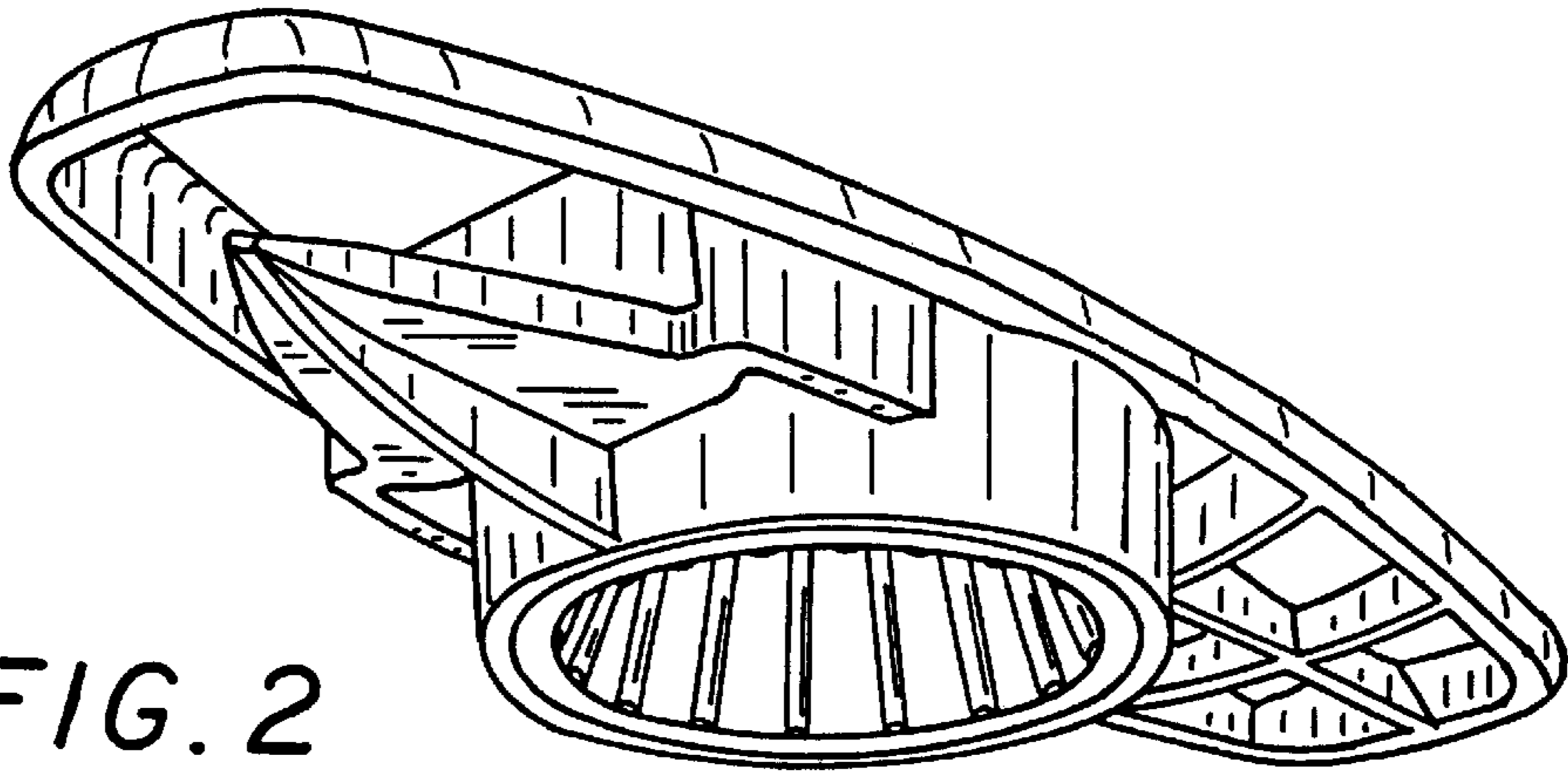


FIG. 2

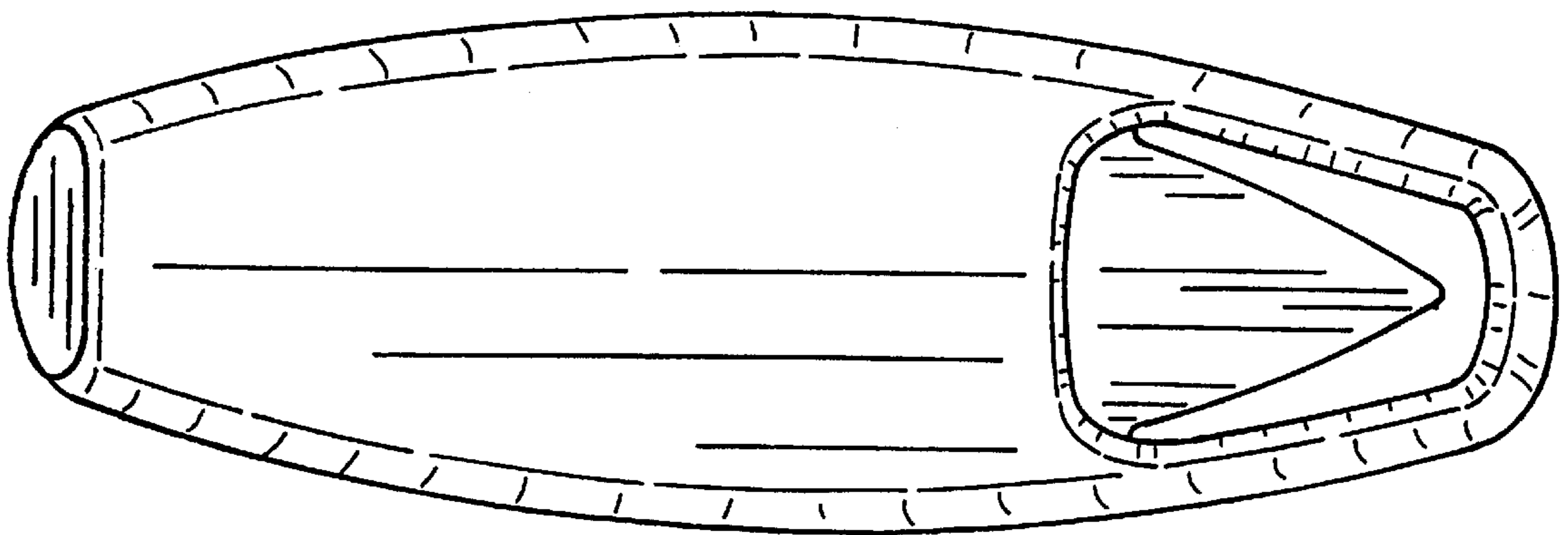


FIG. 3

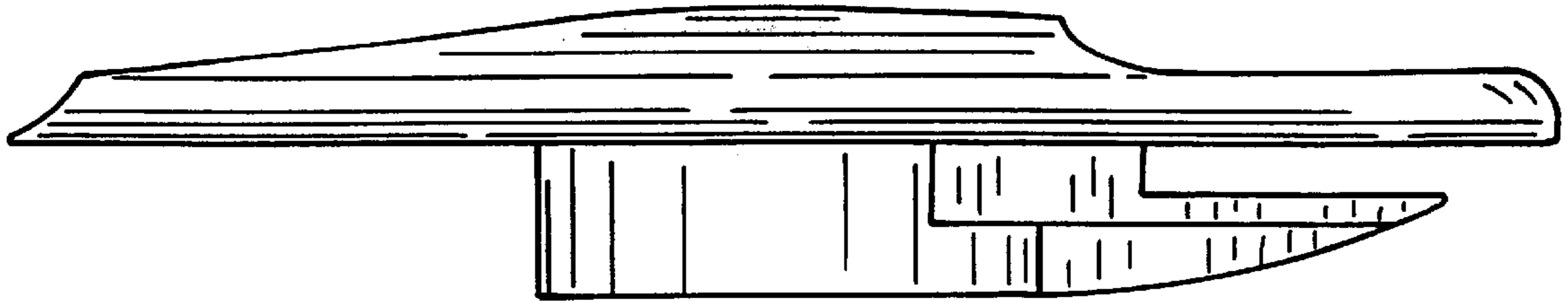


FIG. 4

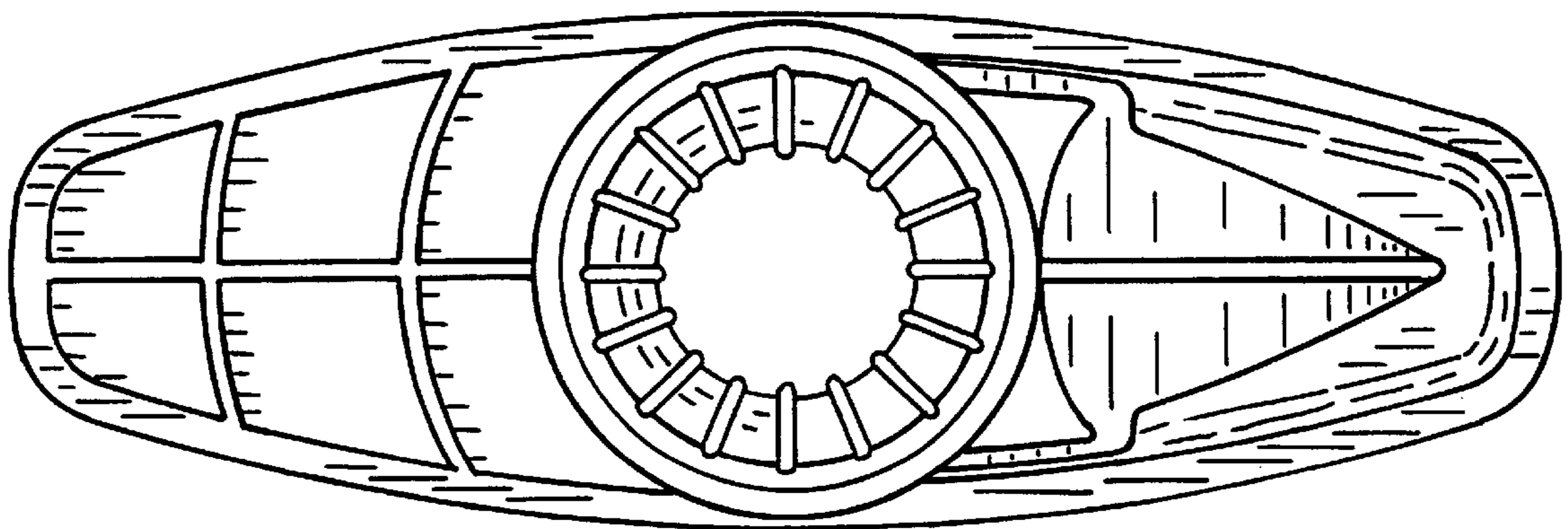


FIG. 5

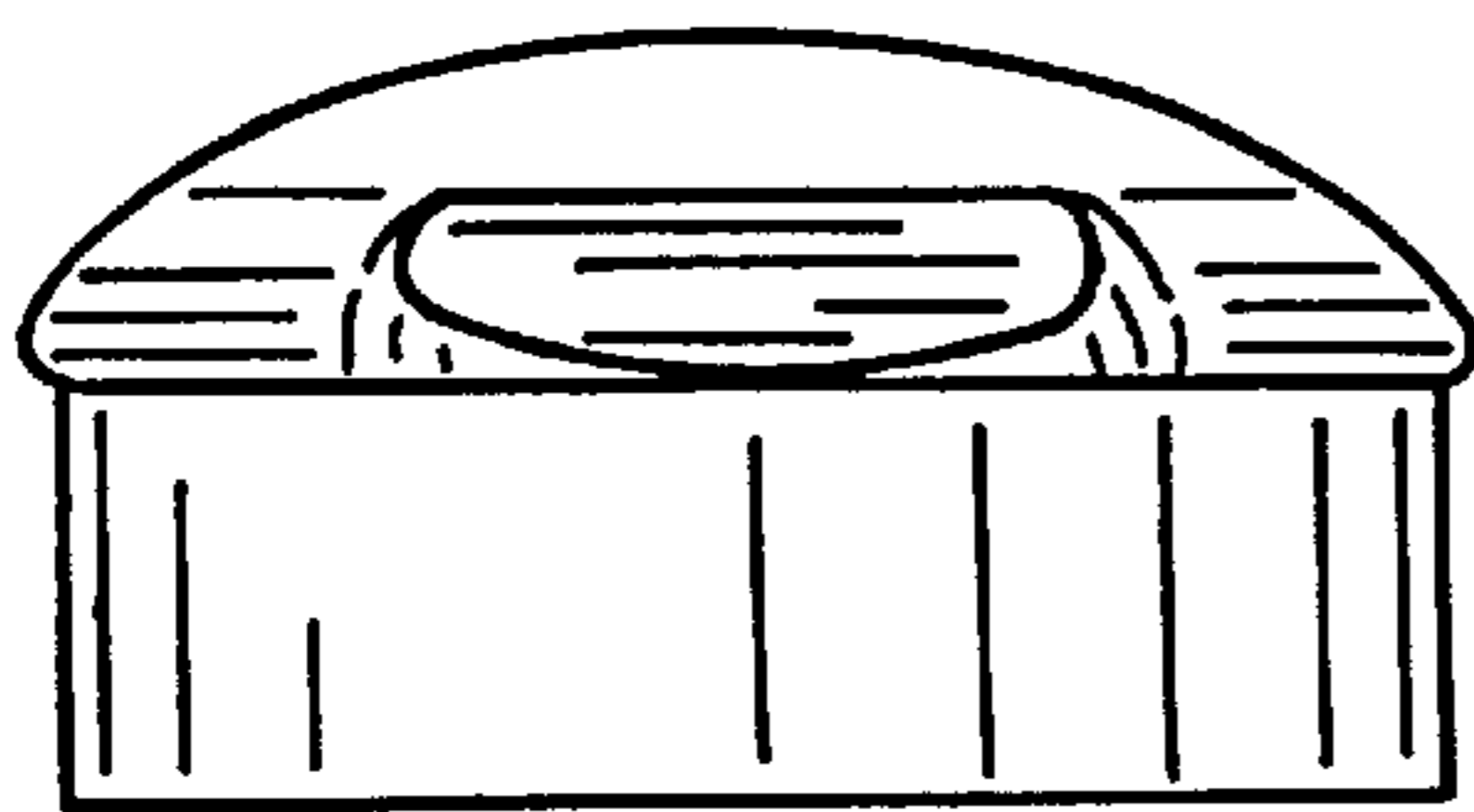


FIG. 6

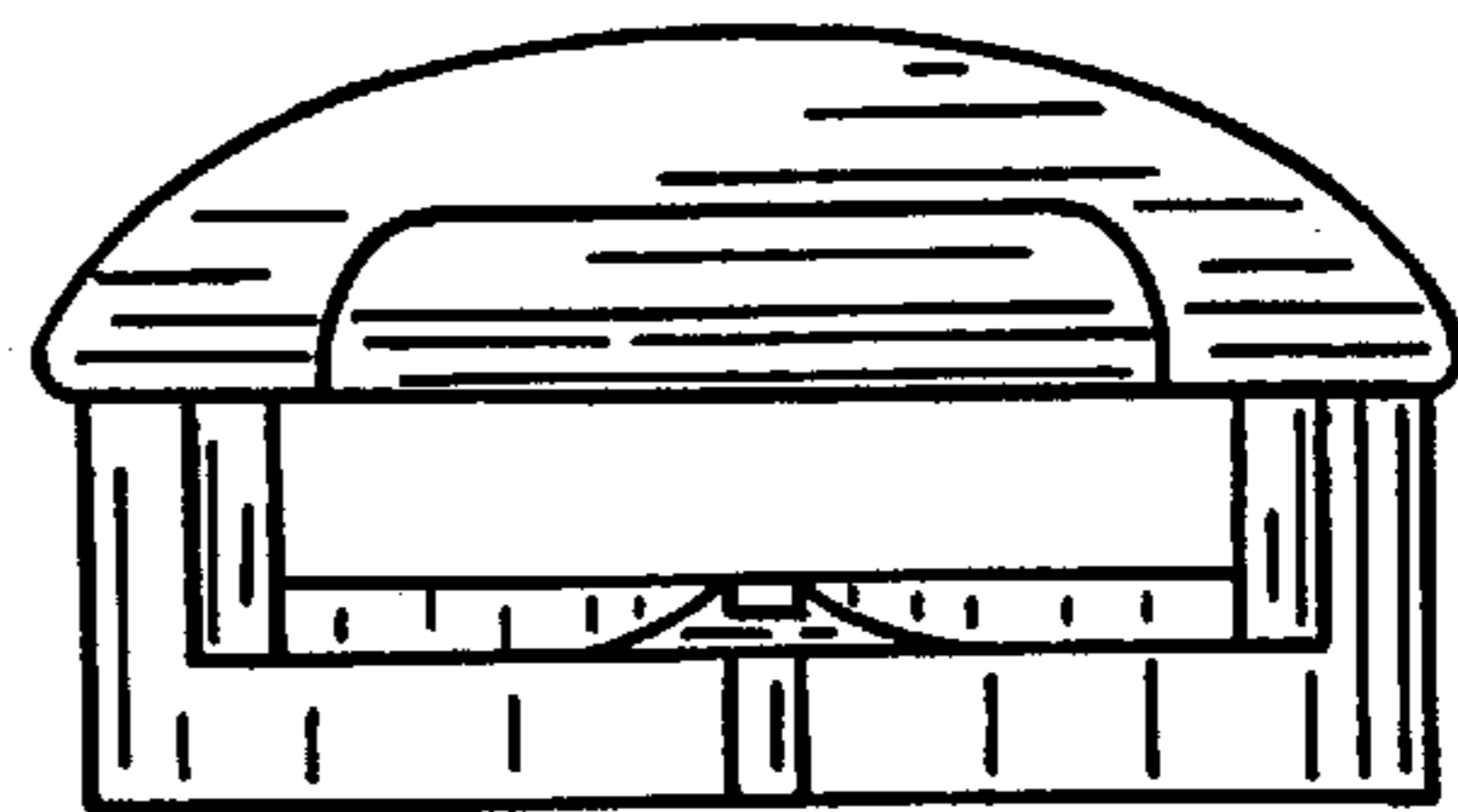
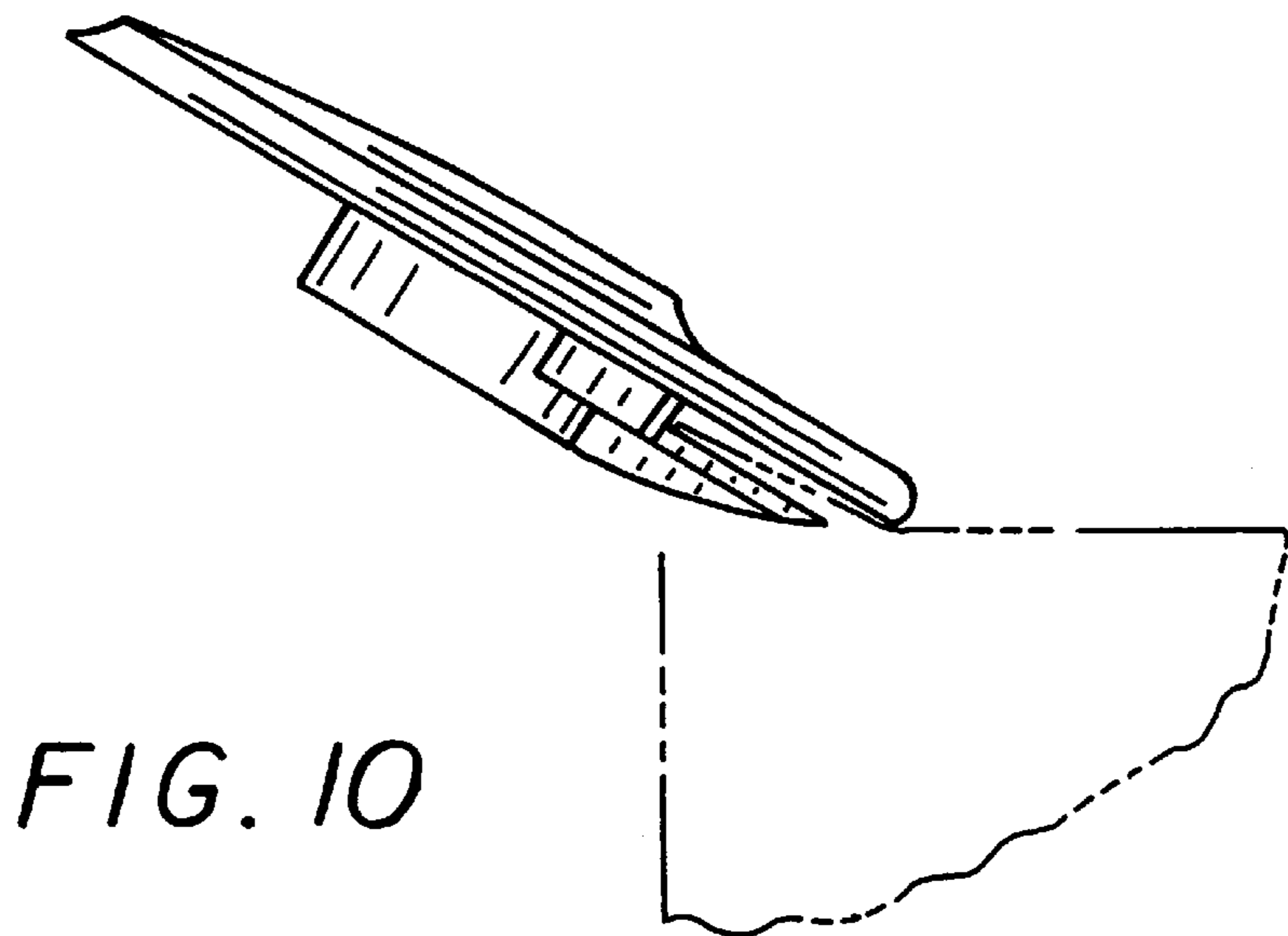
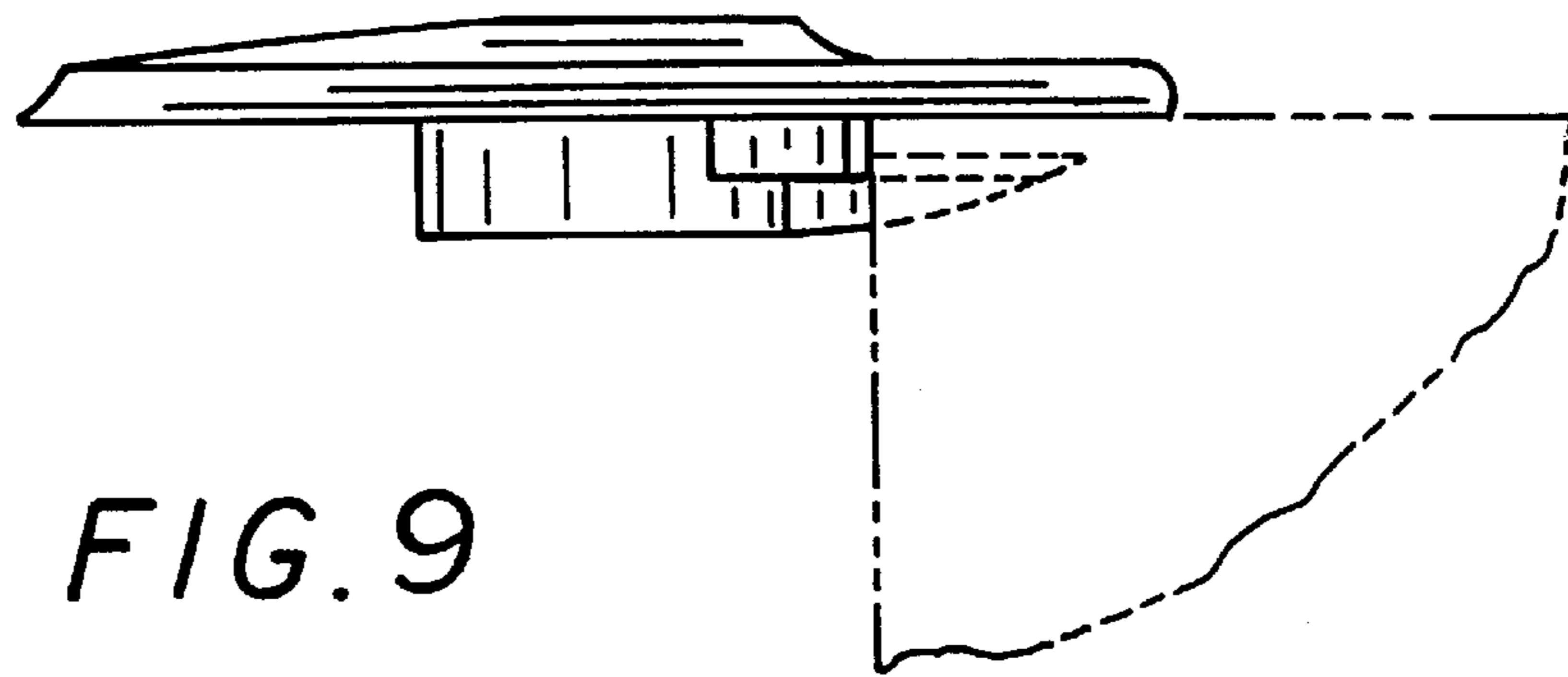
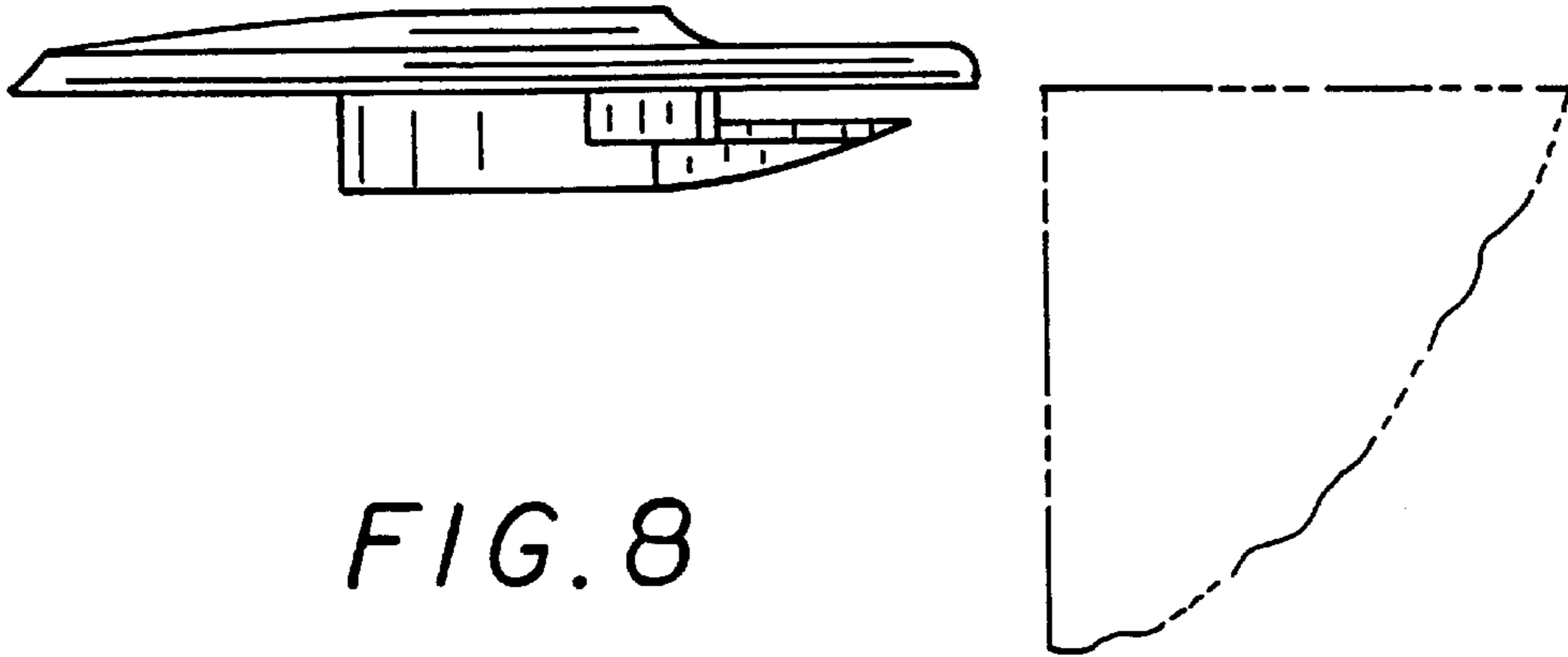


FIG. 7



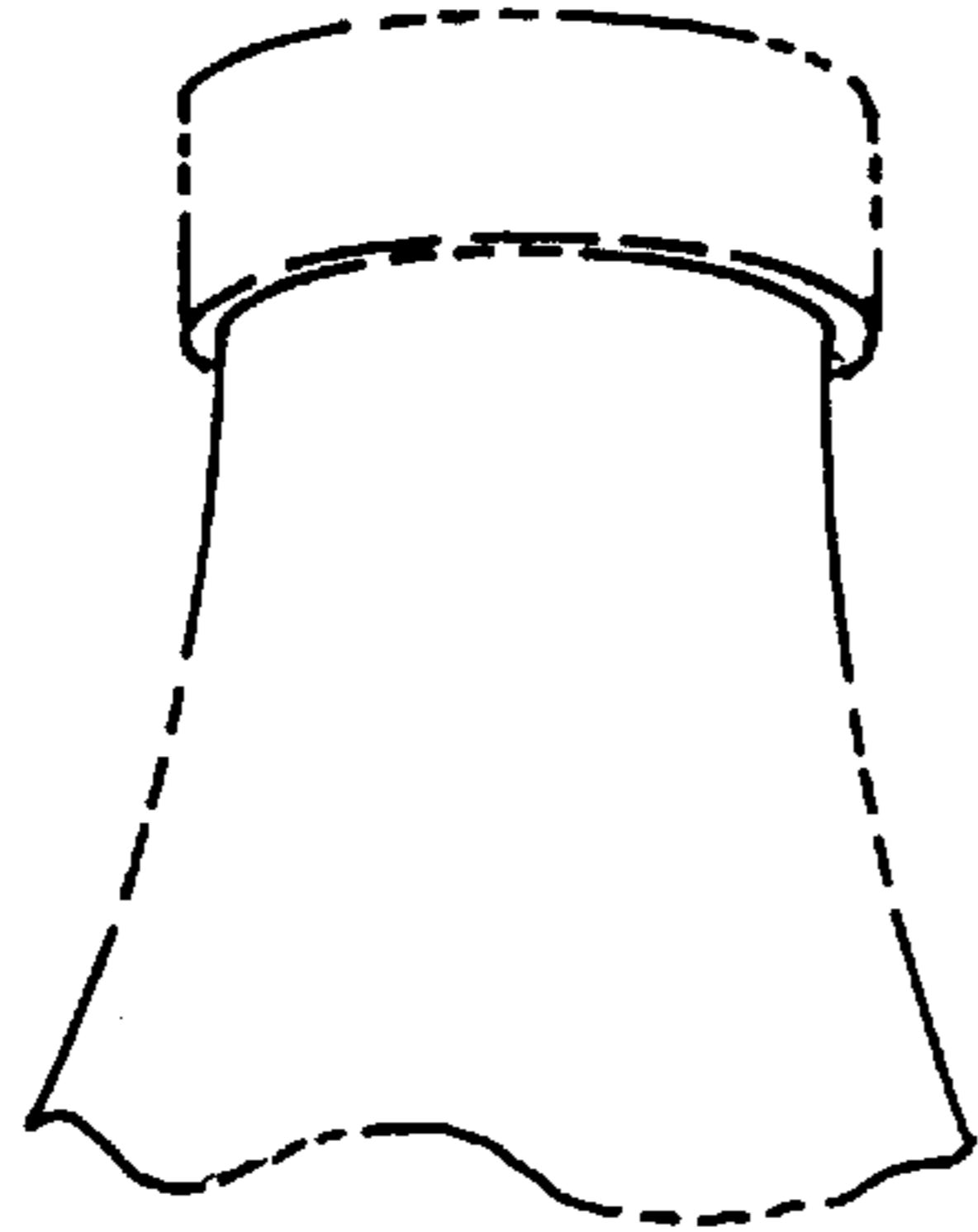
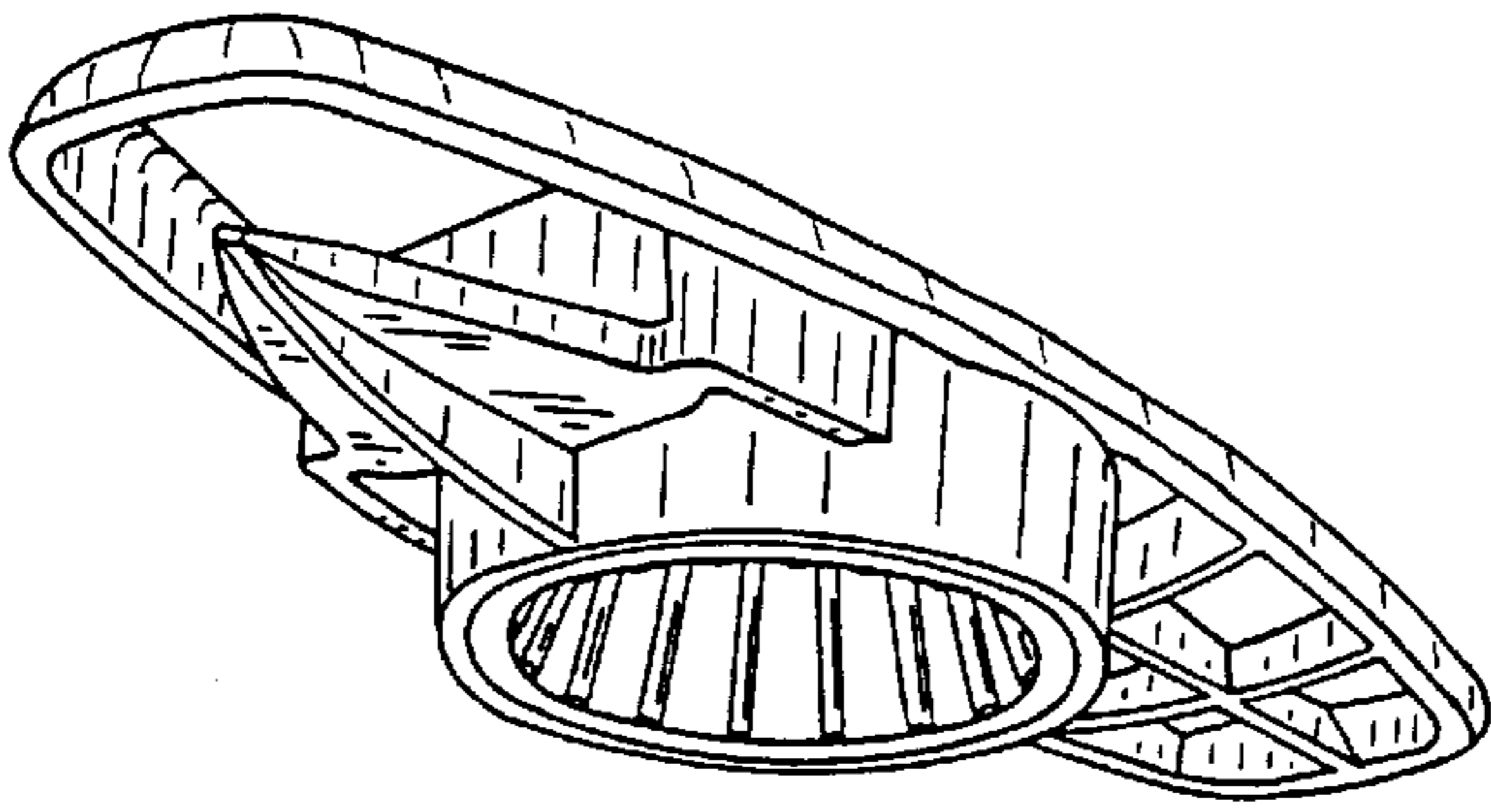


FIG. 11

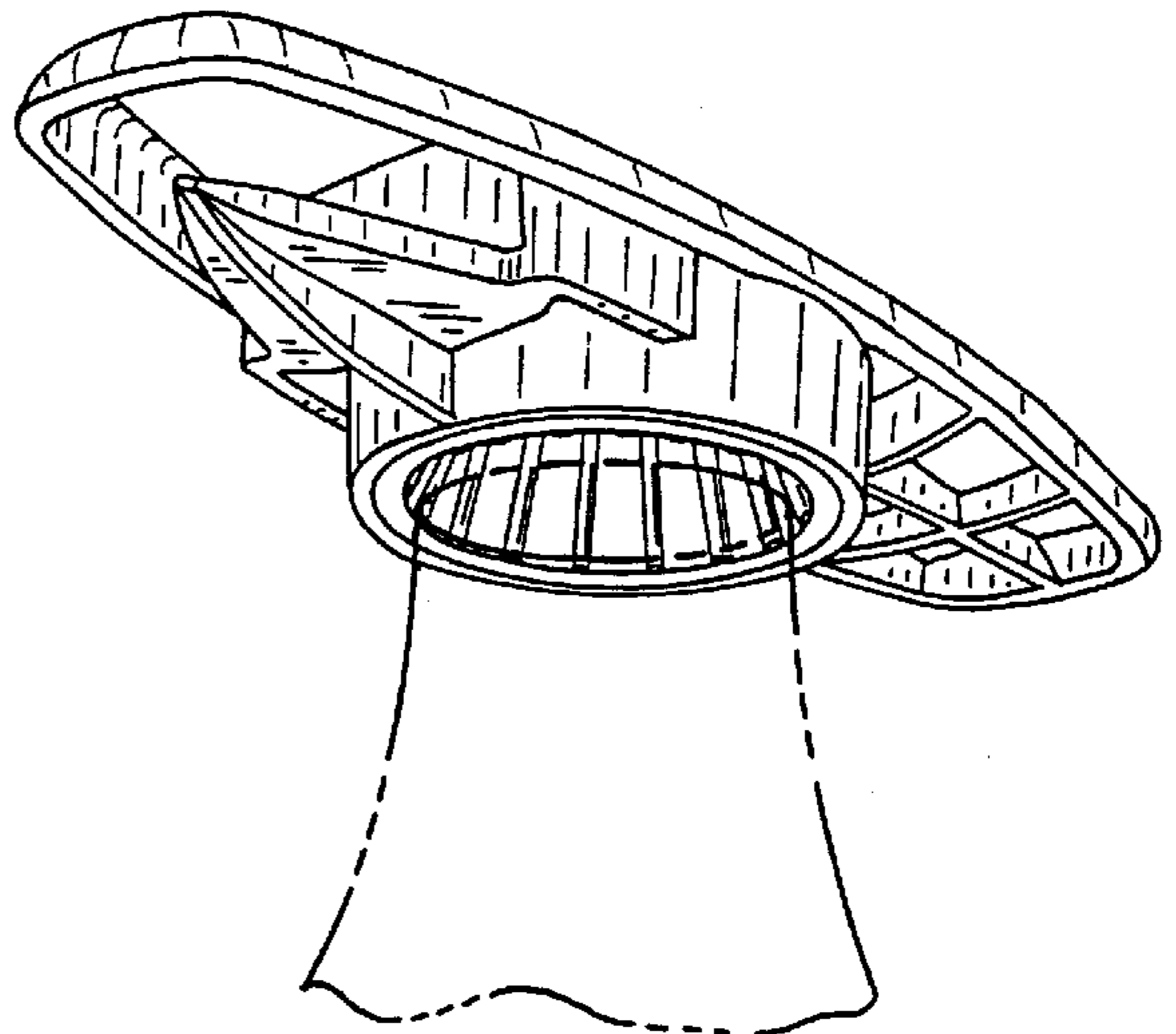


FIG. 12

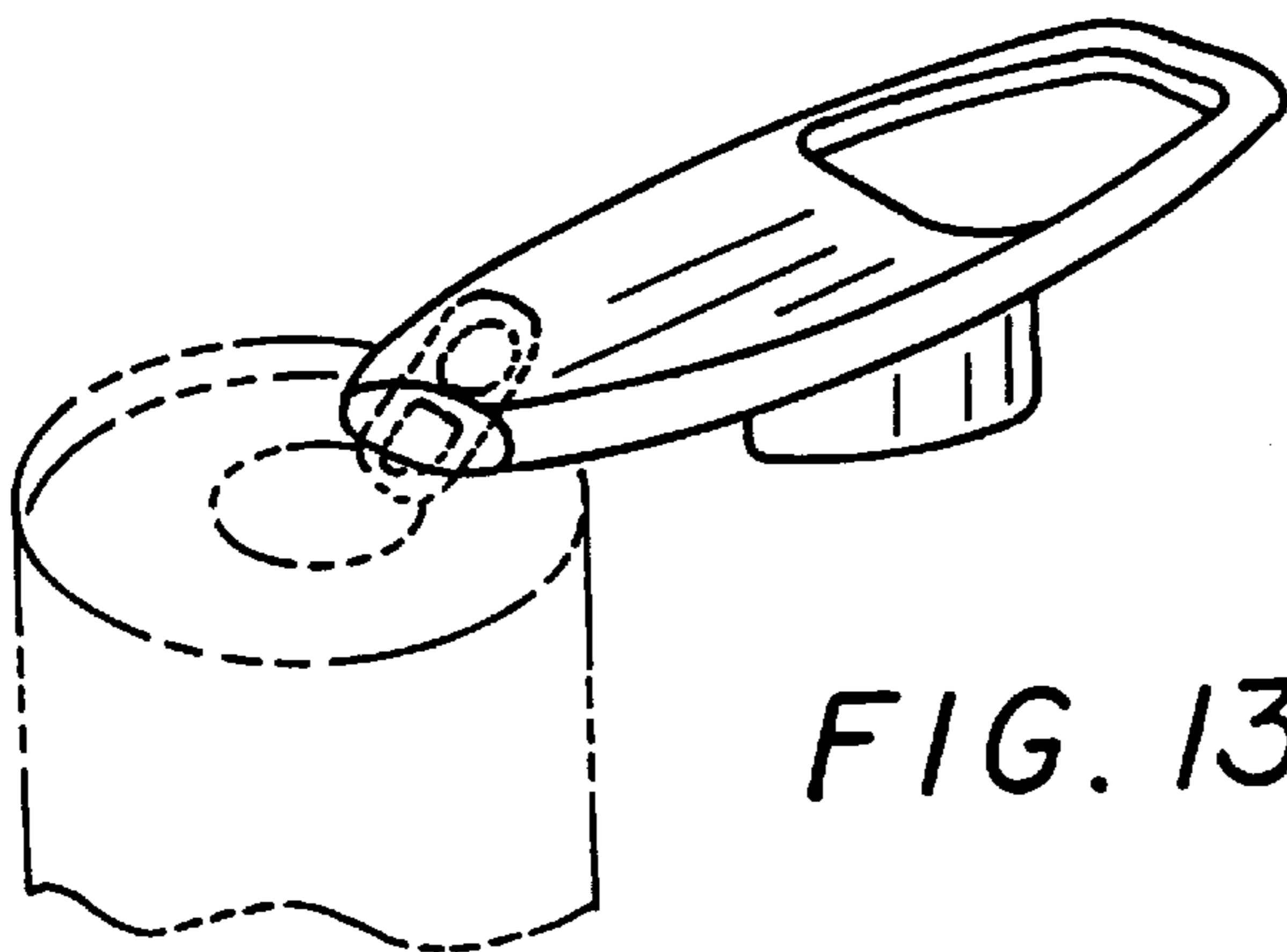


FIG. 13