



US00D447922B1

(12) **United States Design Patent**
Whitlock

(10) **Patent No.:** **US D447,922 S**

(45) **Date of Patent:** **** Sep. 18, 2001**

(54) **HAND RAKE**

D. 390,762 * 2/1998 Douglas D8/13
2,546,113 * 3/1951 Spang 294/49

* cited by examiner

(76) **Inventor:** **J. B. Whitlock**, P.O. Box 2935,
Ramona, CA (US) 92065

Primary Examiner—Robin V. Taylor
(74) *Attorney, Agent, or Firm*—Crowe & Dunlevy

(**) **Term:** **14 Years**

(57) **CLAIM**

(21) **Appl. No.:** **29/127,917**

I claim the ornamental design for the hand rake, as shown and described.

(22) **Filed:** **Aug. 14, 2000**

DESCRIPTION

(51) **LOC (7) Cl.** **08-01**

FIG. 1 is a perspective view of a hand rake showing my new design;

(52) **U.S. Cl.** **D8/13**

FIG. 2 is an elevational back view thereof;

(58) **Field of Search** D8/1, 13; 294/49,
294/50; 56/400.01, 400.21

FIG. 3 is an elevational front view thereof;

FIG. 4 is an elevational view of one side thereof;

FIG. 5 is a top plan view thereof;

FIG. 6 is a bottom plan view thereof; and,

FIG. 7 is an elevational view of the other side thereof.

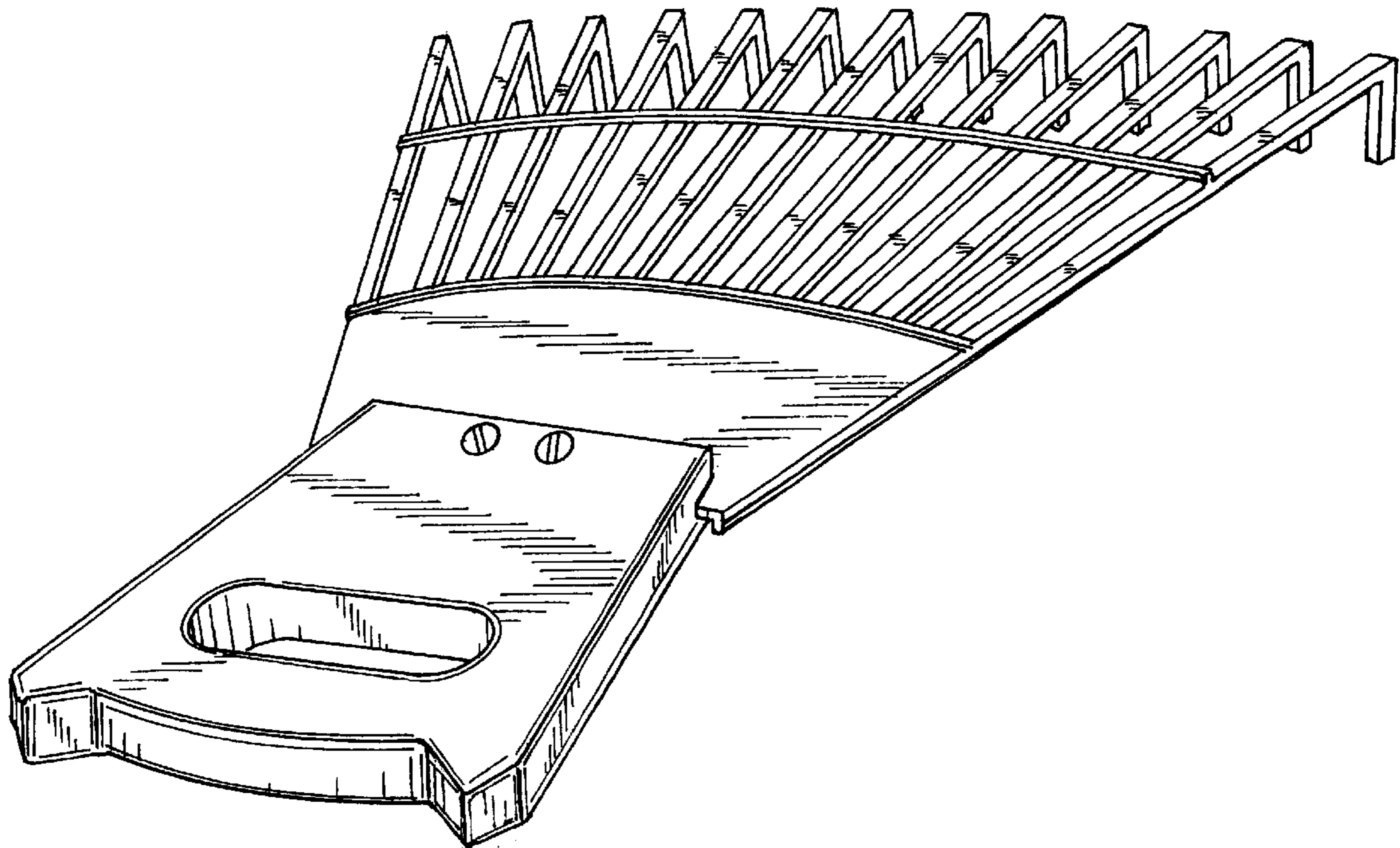
(56) **References Cited**

U.S. PATENT DOCUMENTS

D. 297,101 * 8/1988 Licht D8/13

D. 314,122 * 1/1991 Licht D8/13

1 Claim, 2 Drawing Sheets



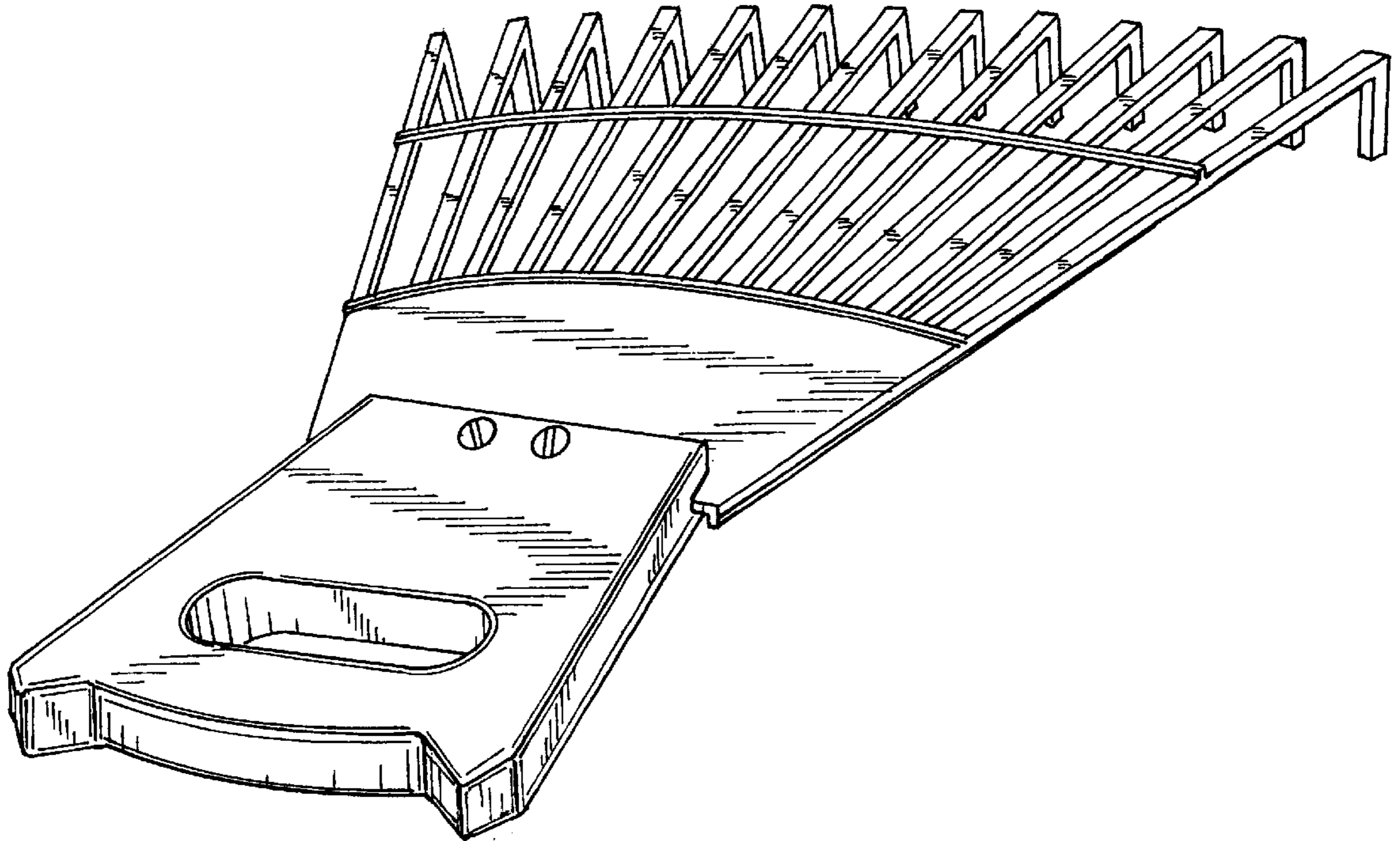


FIG. 1

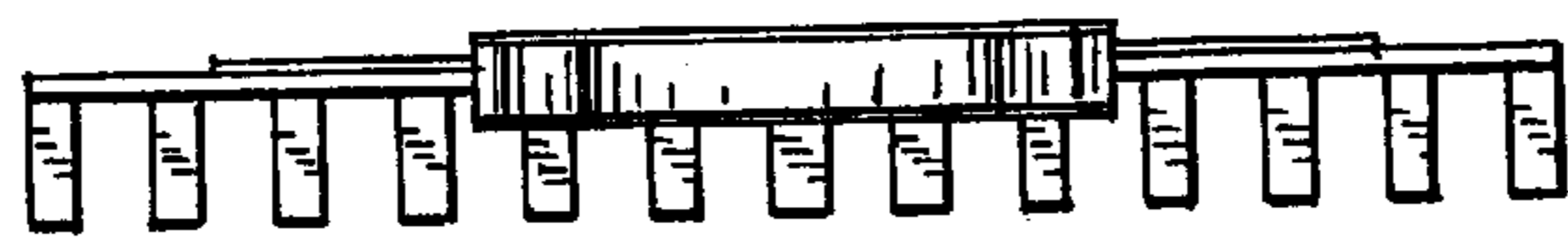


FIG. 2



FIG. 3

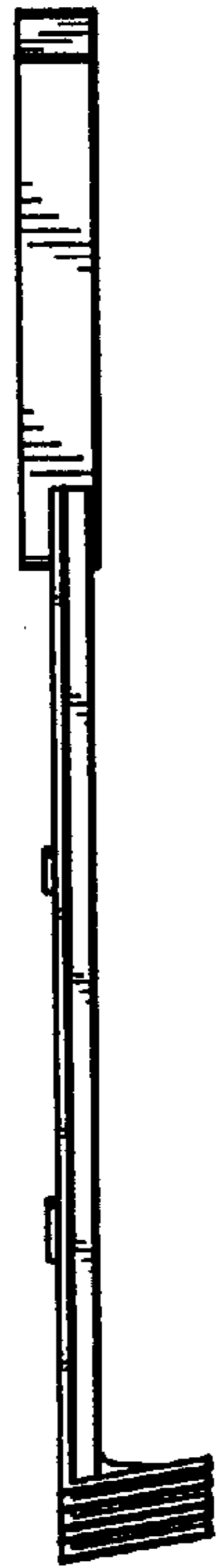


FIG. 4

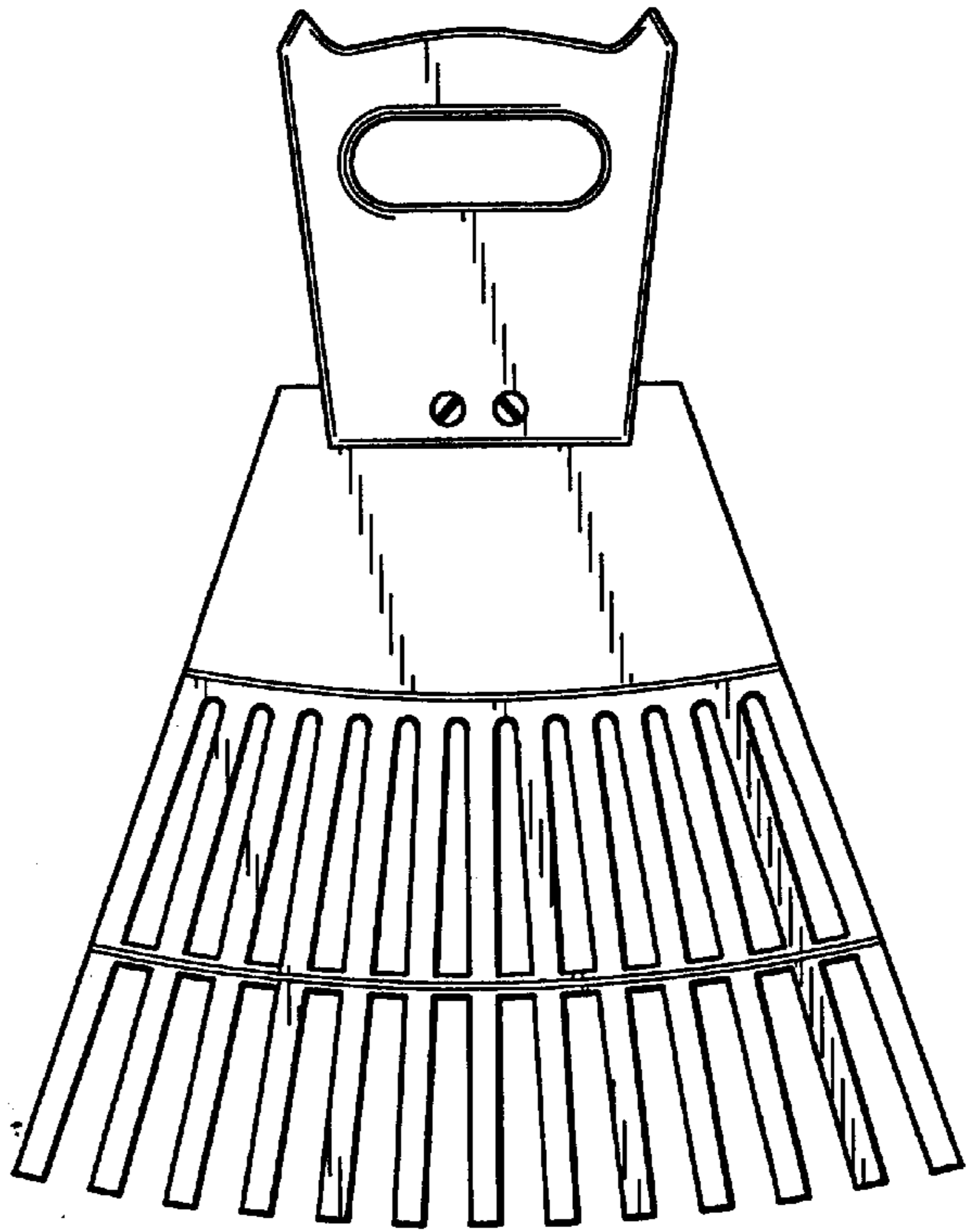


FIG. 5

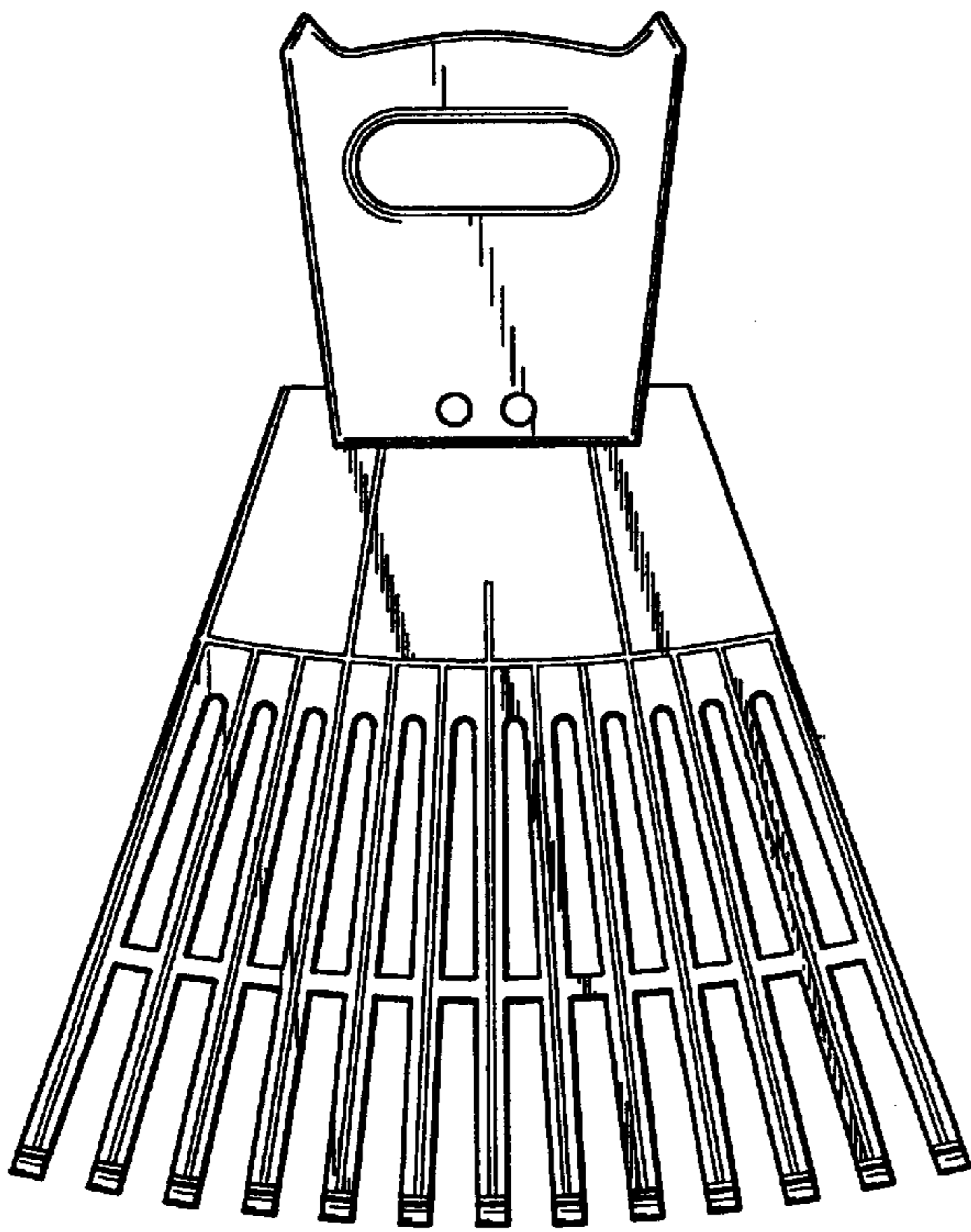


FIG. 6

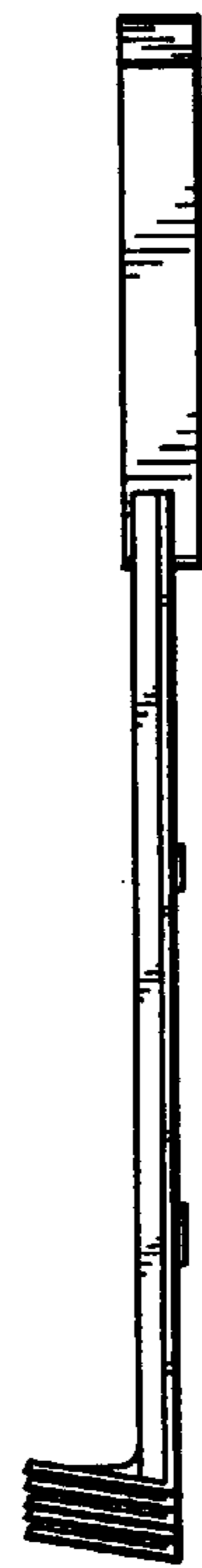


FIG. 7