



US00D447920B1

(12) **United States Design Patent**  
**Lillelund et al.**

(10) **Patent No.:** **US D447,920 S**

(45) **Date of Patent:** **\*\* Sep. 18, 2001**

(54) **MANUAL SPICE GRINDER**

5,176,329 1/1993 DeCoster .  
5,897,067 4/1999 Tardif et al. .... 241/169.1

(75) Inventors: **Stig Lillelund**, Gentofte; **Jakob Heiberg**, Charlottenlund; **Ian Tomas Benzon**, Copenhagen, all of (DK); **Robert H. C. H. Daenen**, Aalst (BE)

**OTHER PUBLICATIONS**

Spin the Bottle/ McCormick Schilling Gourmet.

\* cited by examiner

(73) Assignee: **Dart Industries Inc.**, Orlando, FL (US)

*Primary Examiner*—Terry A. Wallace

(\*\*) Term: **14 Years**

(74) *Attorney, Agent, or Firm*—Taylor J. Ross

(21) Appl. No.: **29/133,271**

(57) **CLAIM**

(22) Filed: **Nov. 27, 2000**

The ornamental design for a manual spice grinder, as shown and described.

(51) **LOC (7) Cl.** ..... **07-06**

**DESCRIPTION**

(52) **U.S. Cl.** ..... **D7/679**

(58) **Field of Search** ..... D7/679, 678, 372,  
D7/373, 381, 590-597; 222/142.1-142.9;  
241/168, 169, 169.1, 259, 259.1

FIG. 1 is a top, side and front perspective view of a manual spice grinder showing the new design; FIG. 2 is a front elevation view thereof; FIG. 3 is a rear elevation view thereof; FIG. 4 is a right side elevation view thereof; FIG. 5 is a left side elevation view thereof; FIG. 6 is a top plan view thereof; and, FIG. 7 is a bottom plan view thereof.

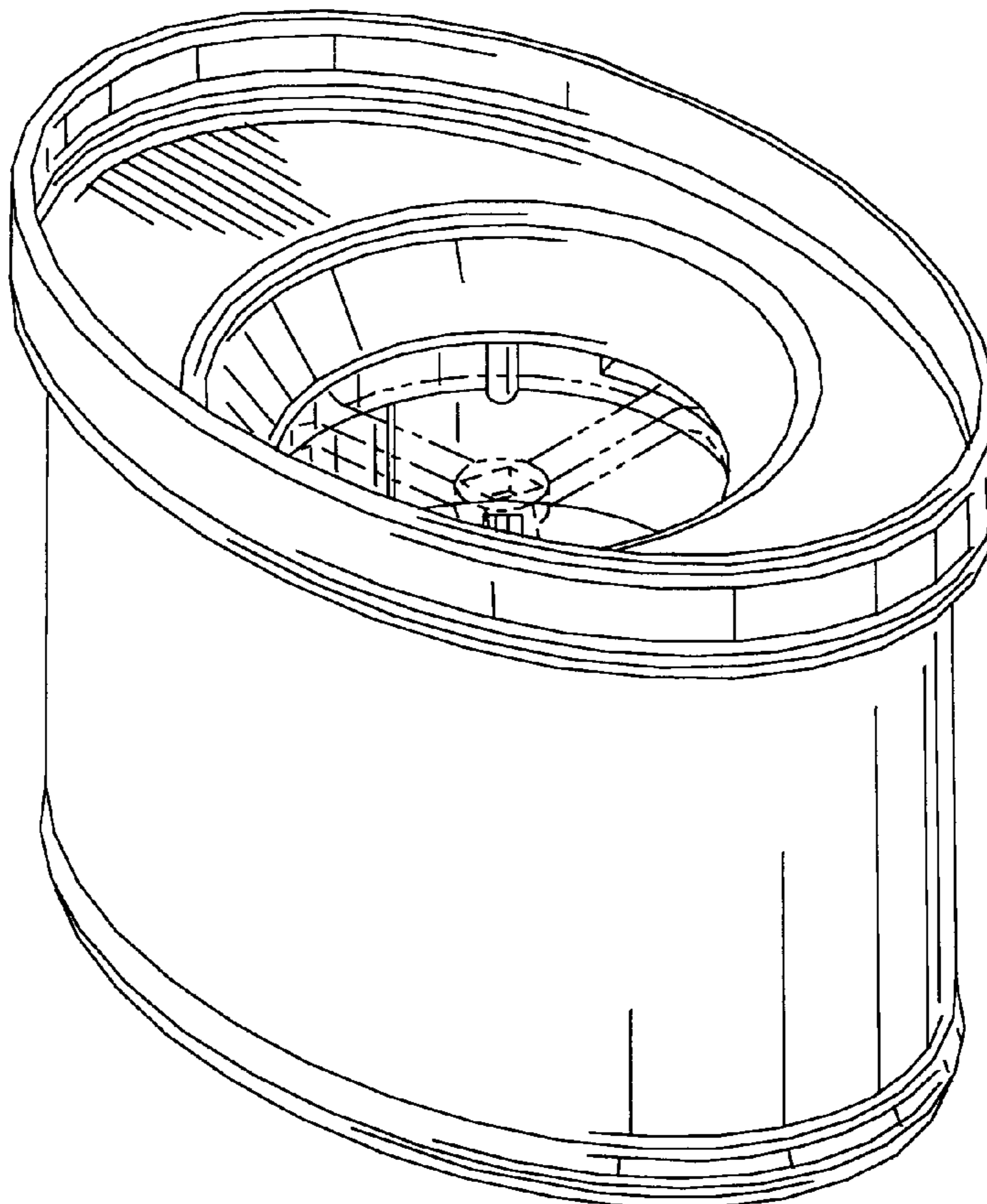
(56) **References Cited**

**U.S. PATENT DOCUMENTS**

- D. 188,466 \* 7/1960 Silverman et al. .... D7/591
- D. 285,037 8/1986 Bounds .
- D. 405,326 2/1999 Bounds ..... D7/679
- 3,991,947 11/1976 Schlessel .
- 4,865,258 9/1989 Smith .
- 5,145,119 9/1992 Lowe .

The broken line showing environmental structure is for illustrative purposes only and forms no part of the claimed design.

**1 Claim, 3 Drawing Sheets**



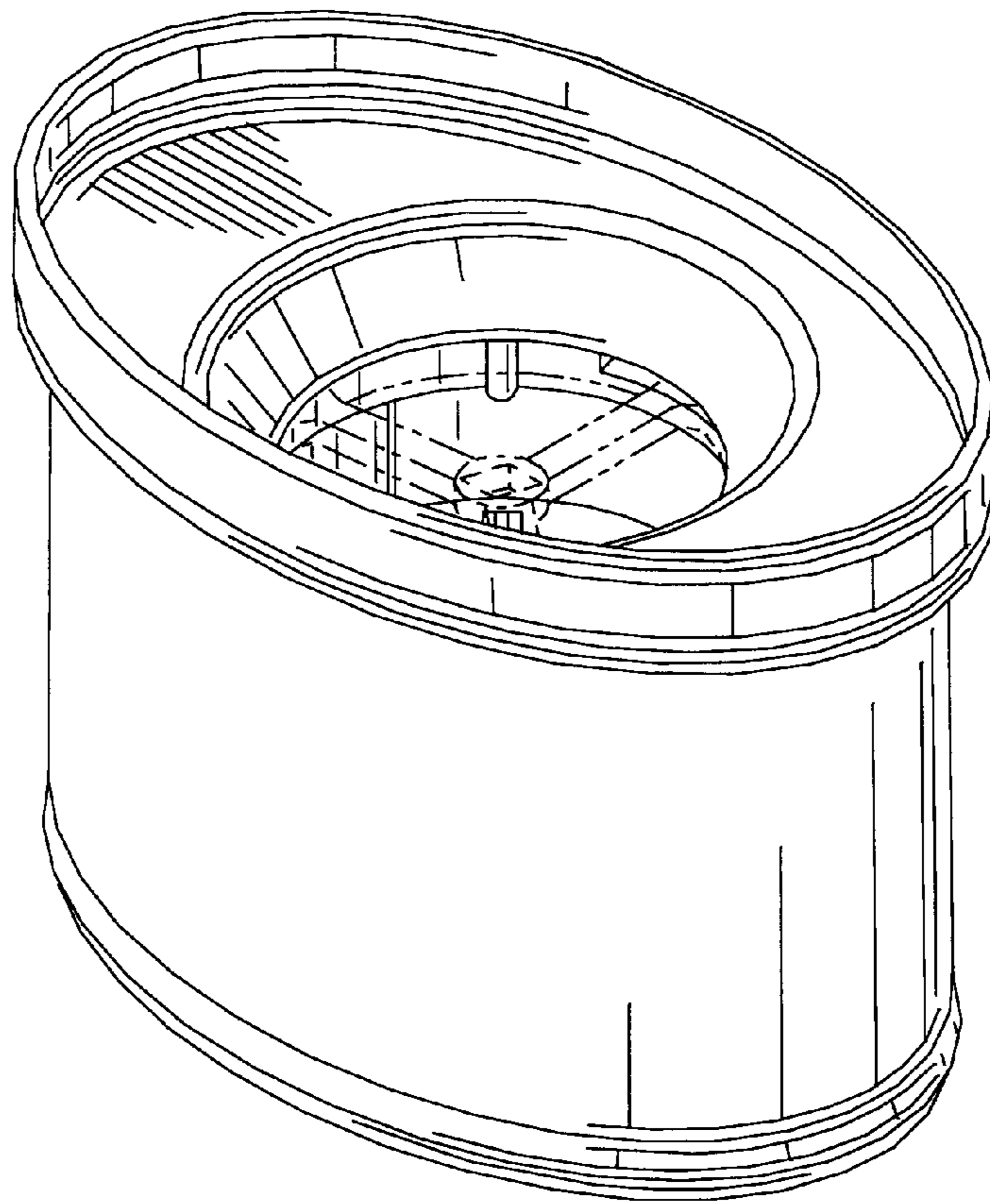


FIG. 1

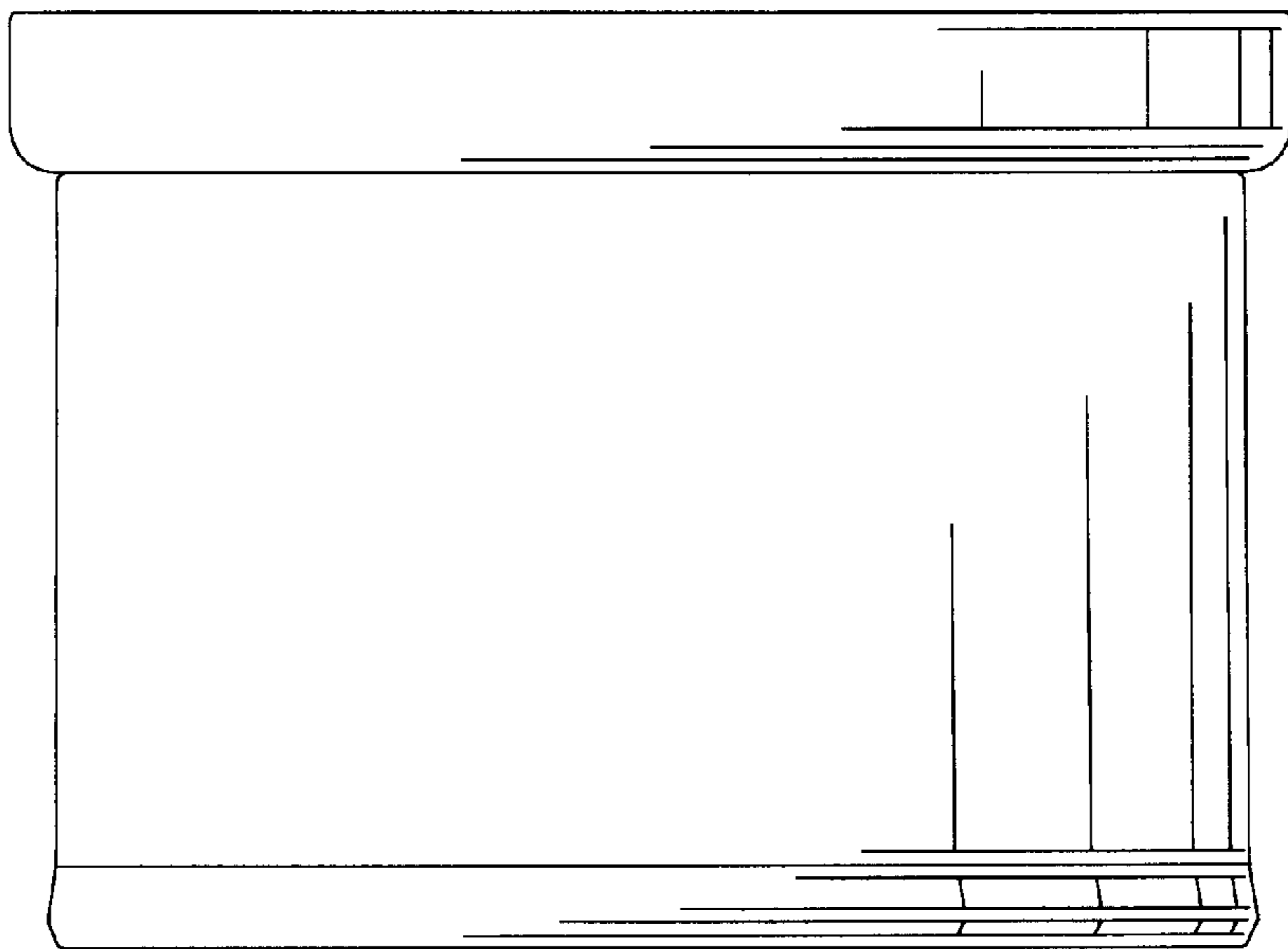


FIG. 2

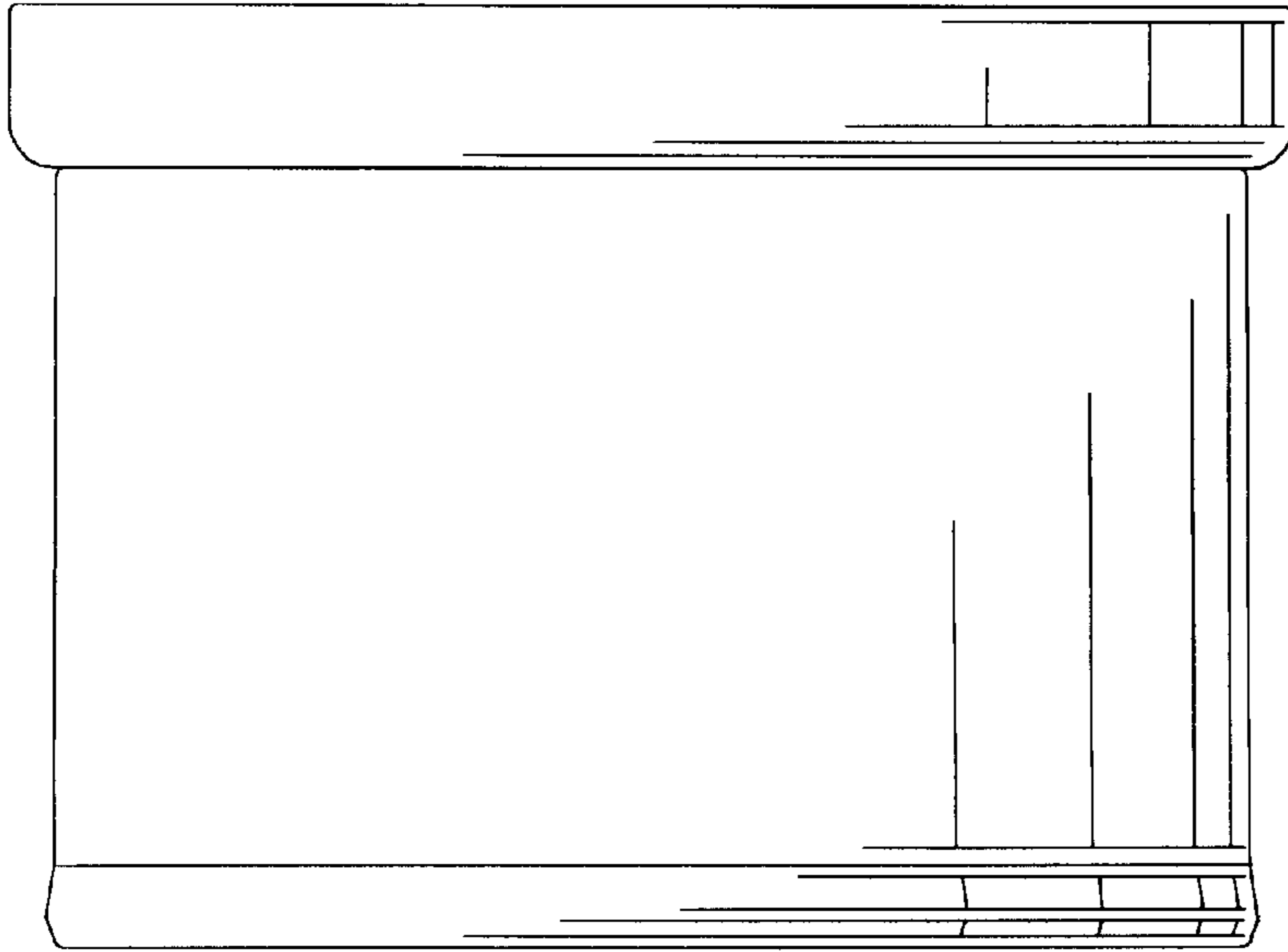


FIG. 3

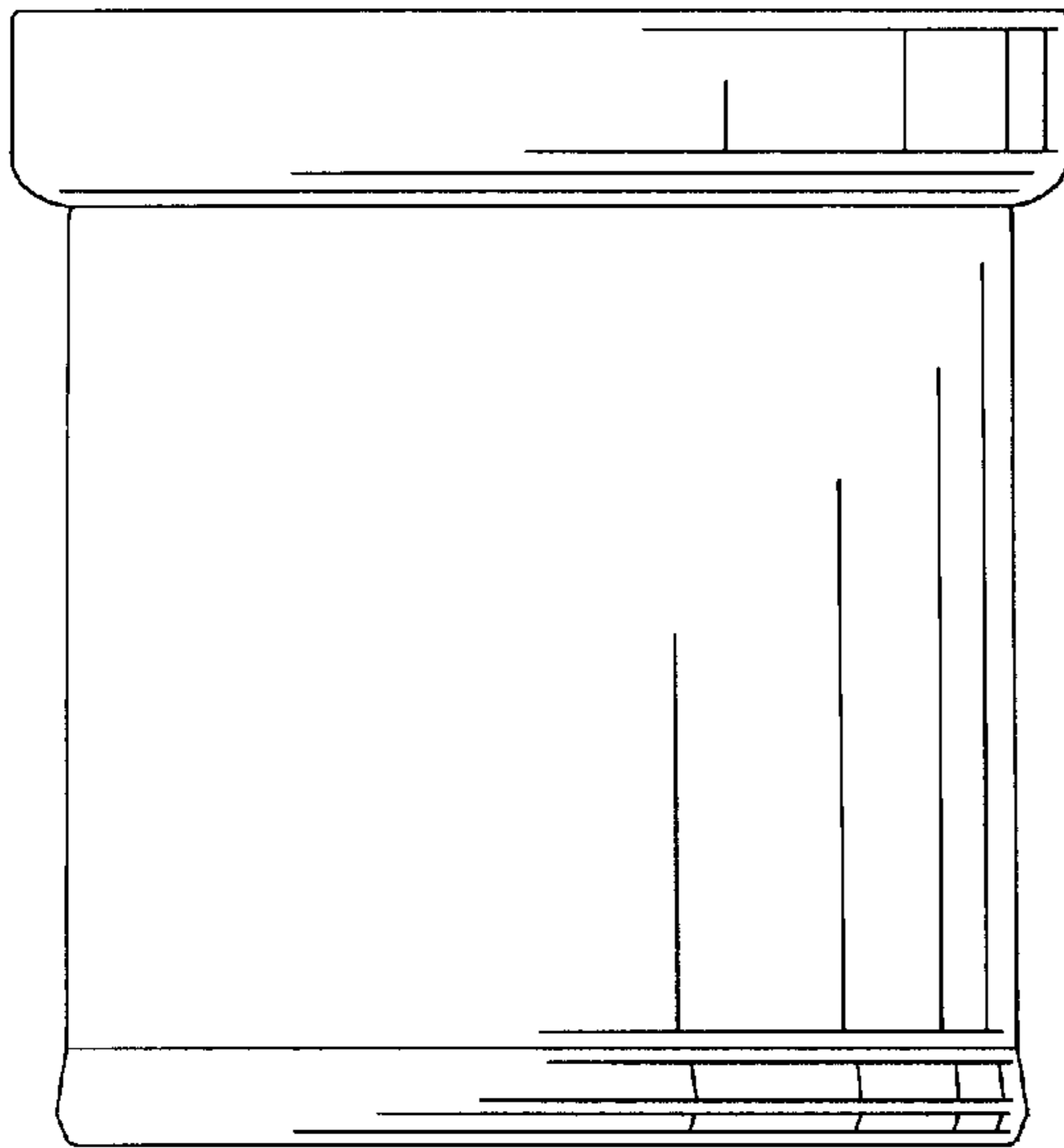


FIG. 4

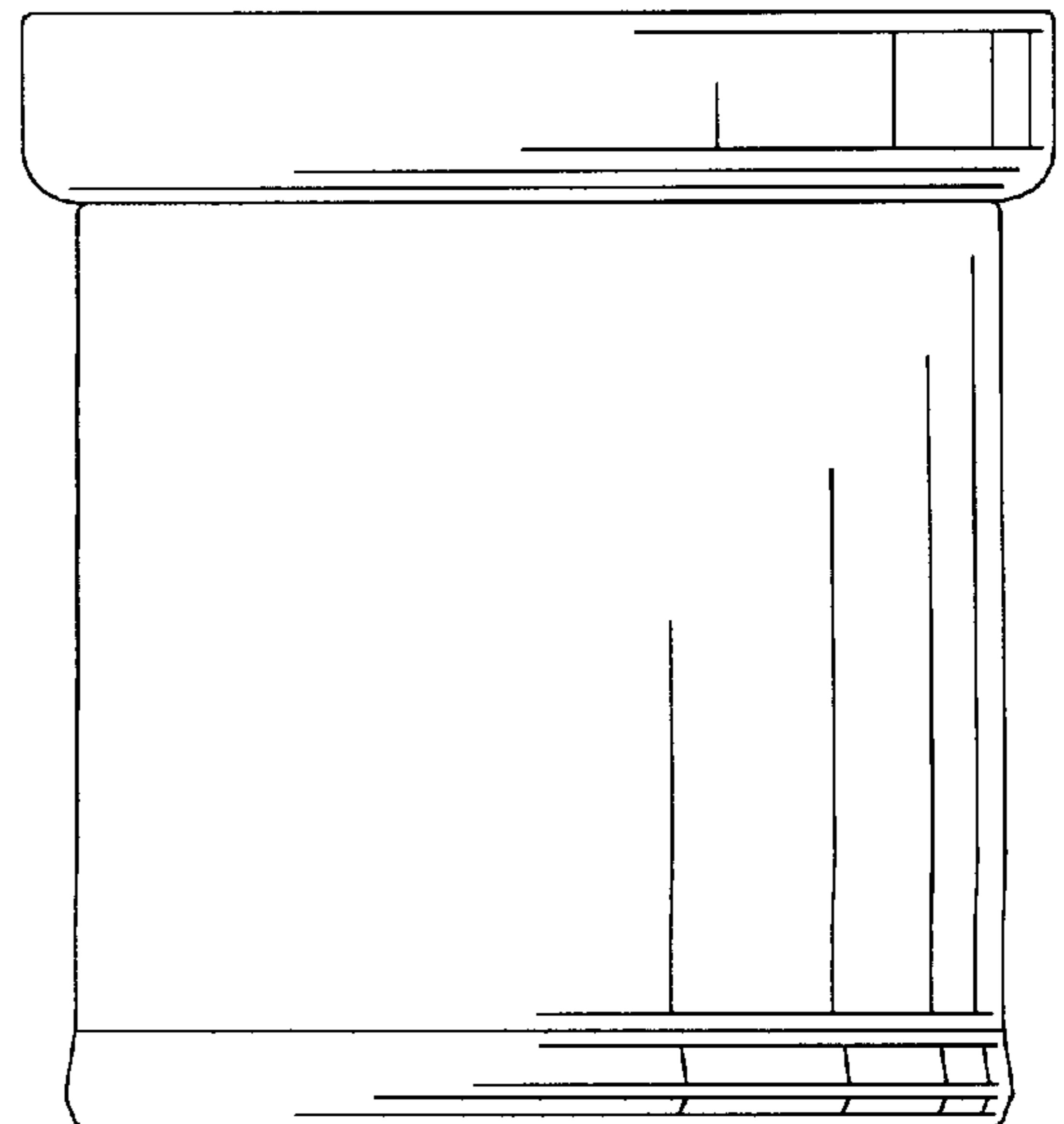


FIG. 5

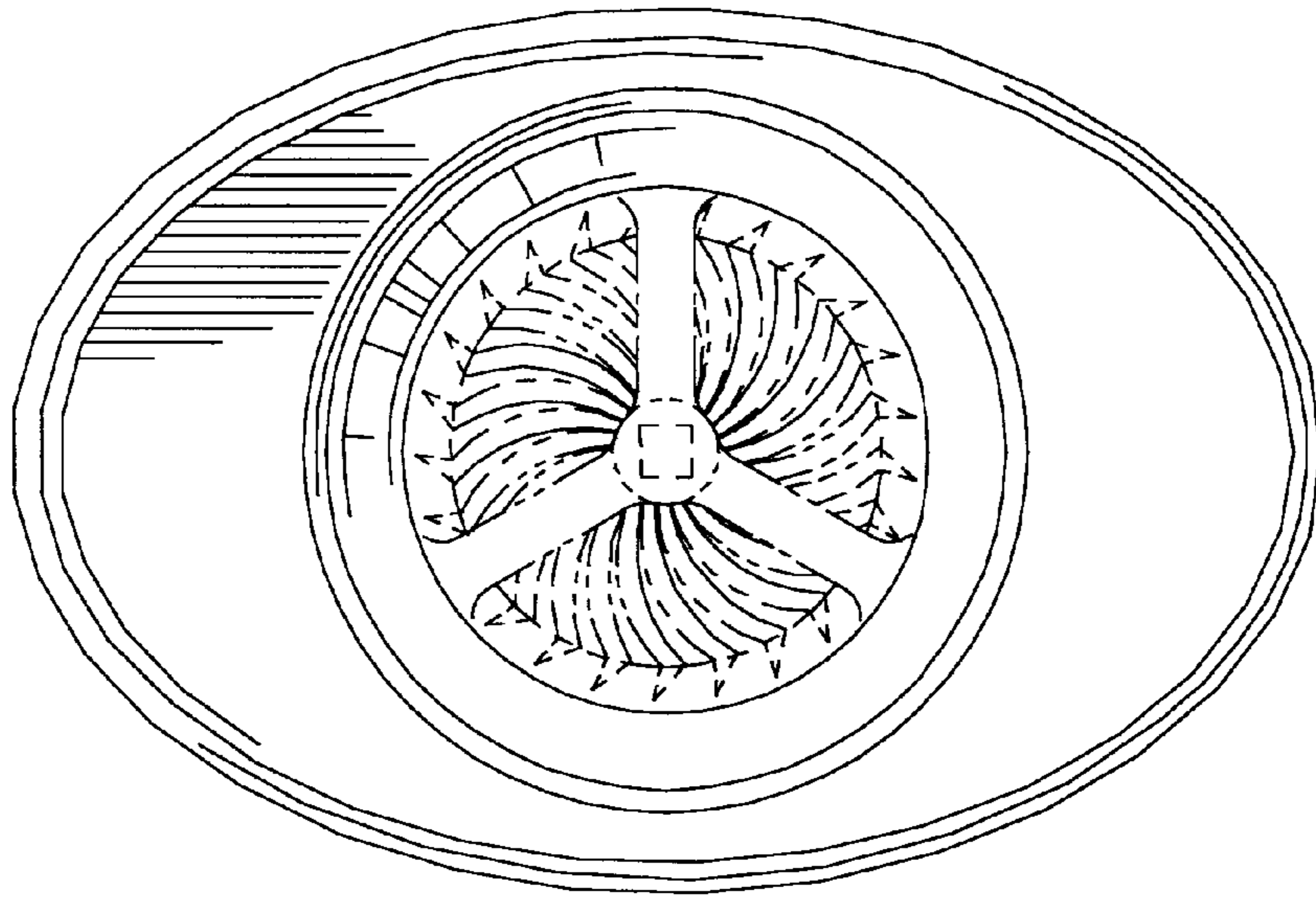


FIG. 6

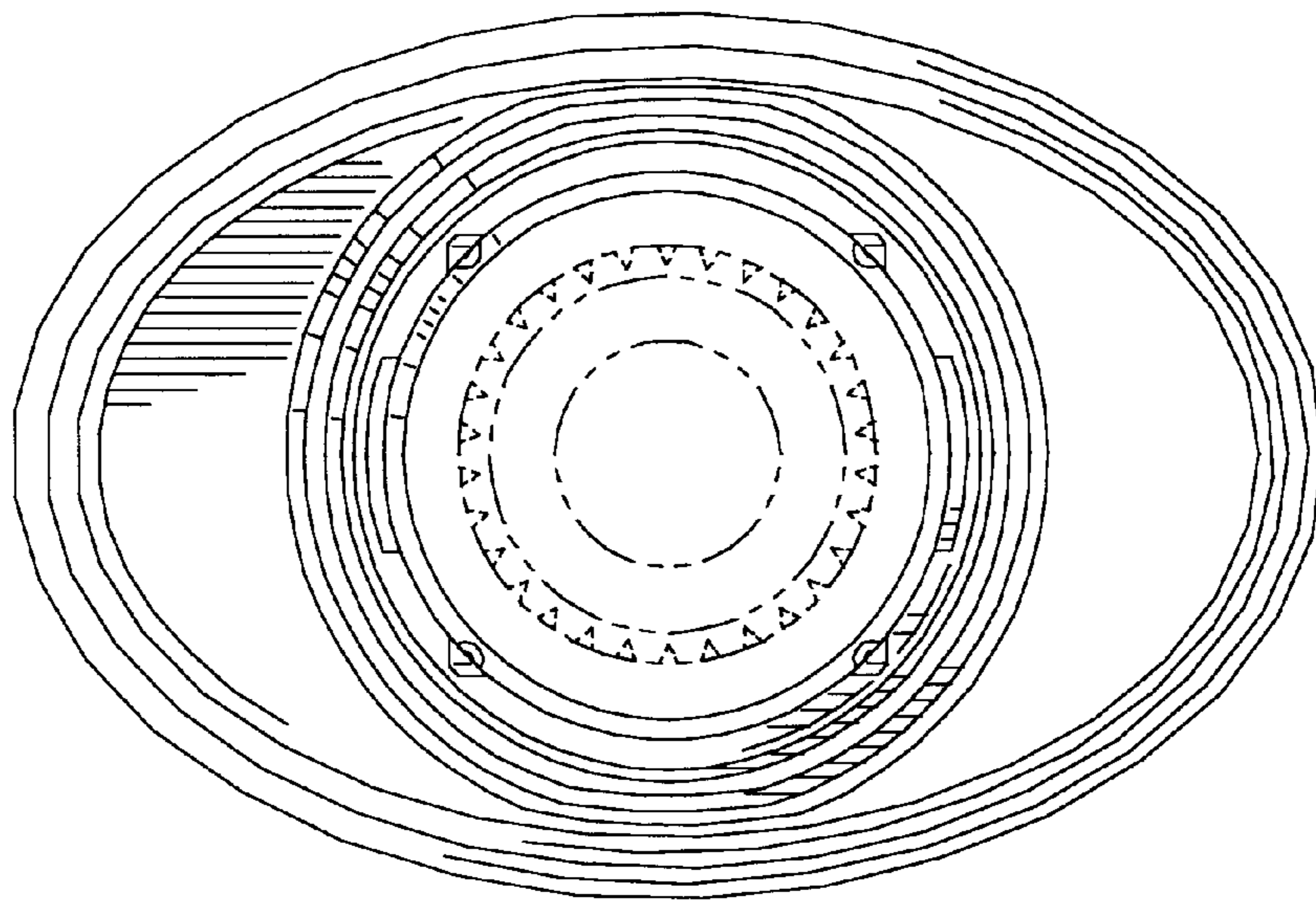


FIG. 7