



US00D447916B1

(12) **United States Design Patent**  
**Bodum**

(10) **Patent No.:** **US D447,916 S**

(45) **Date of Patent:** **\*\* Sep. 18, 2001**

(54) **PLATES FOR SALT, PEPPER, OIL AND VINEGAR**

(75) Inventor: **Jørgen Bodum**, St. Niklausen (CH)

(73) Assignee: **PI-Design AG**, Triengen (CH)

(\*\*) Term: **14 Years**

(21) Appl. No.: **29/130,713**

(22) Filed: **Oct. 10, 2000**

(30) **Foreign Application Priority Data**

Apr. 12, 2000 (DK) ..... MA 2000 00422

(51) **LOC (7) Cl.** ..... **07-01**

(52) **U.S. Cl.** ..... **D7/600; D7/706**

(58) **Field of Search** ..... D7/600, 550-557,  
D7/701, 705-708; 206/372, 562; 211/13.1,  
71, 74, 126

(56) **References Cited**

**U.S. PATENT DOCUMENTS**

- D. 129,633 \* 9/1941 Bowers ..... D7/600
- D. 214,333 \* 6/1969 Swett ..... D7/600
- D. 278,501 \* 4/1985 Wolff ..... D7/546
- D. 329,171 \* 9/1992 Minuti ..... D7/592
- D. 346,093 \* 4/1994 Holson ..... D7/600

D. 372,842 \* 8/1996 Cleary et al. .... D7/600

\* cited by examiner

*Primary Examiner*—Terry A. Wallace

(74) *Attorney, Agent, or Firm*—Nath & Associates PLLC;  
Gary M. Nath; Marvin C. Berkowitz

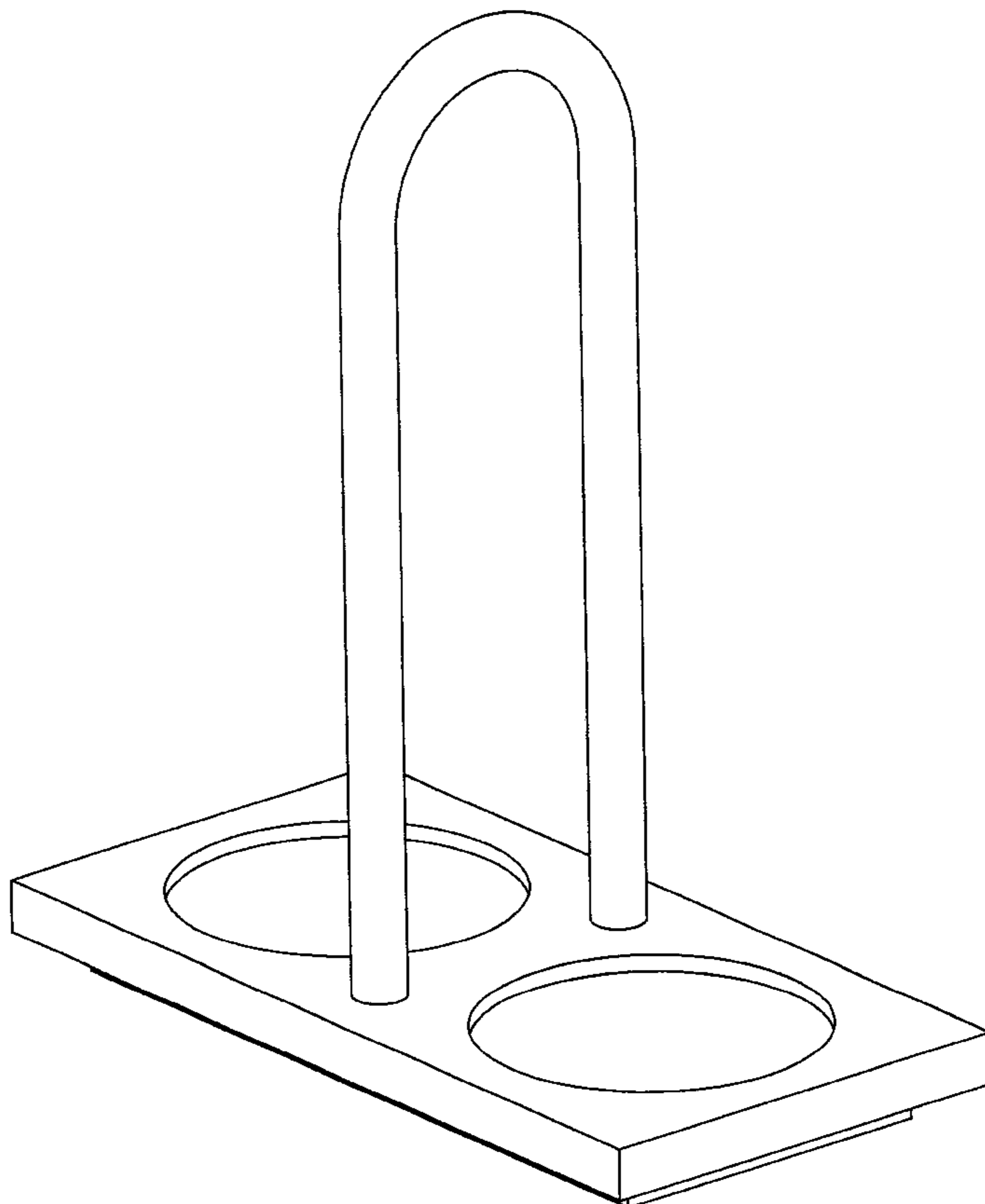
(57) **CLAIM**

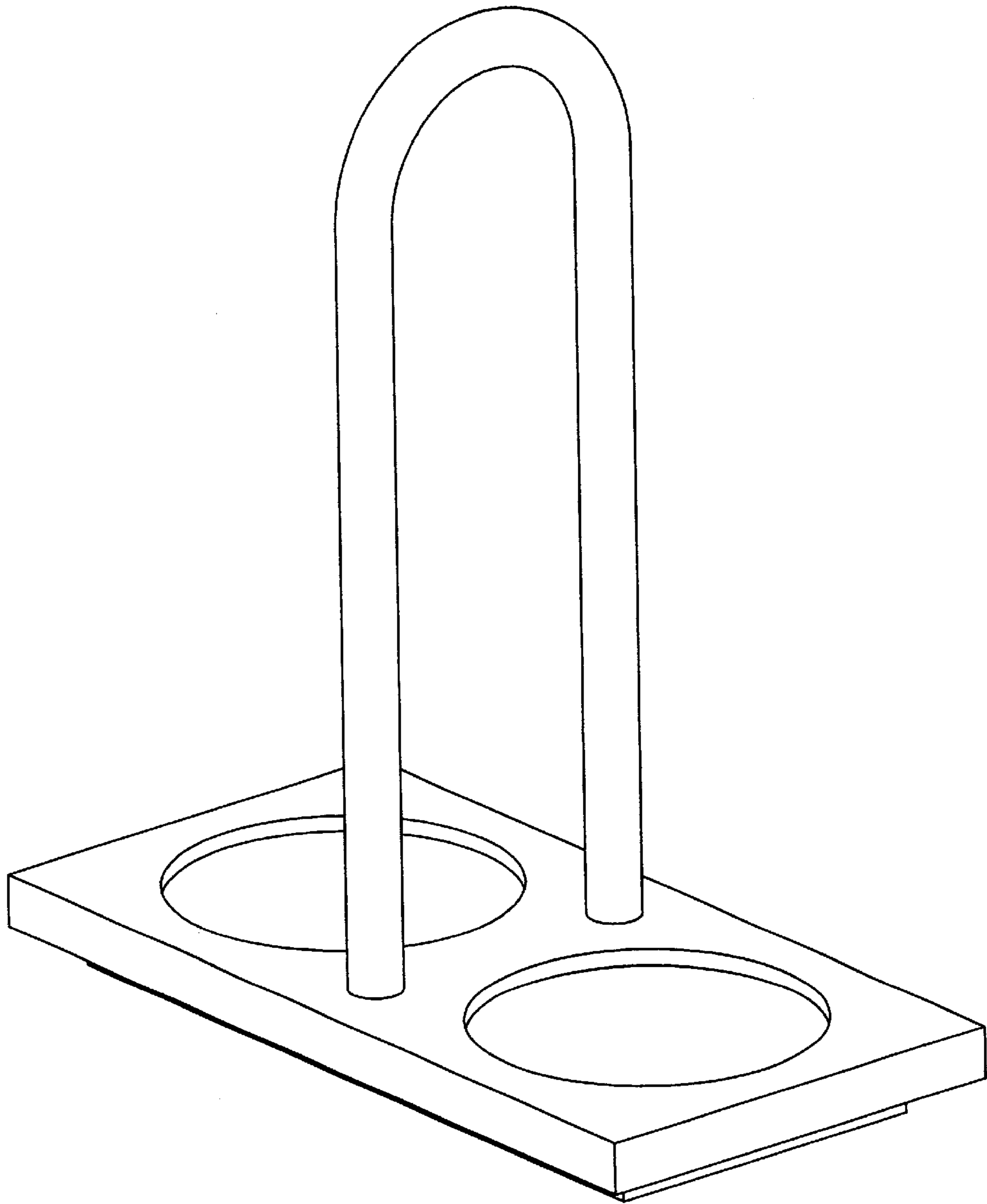
The ornamental design for plates for salt, pepper, oil, and vinegar, as shown and described.

**DESCRIPTION**

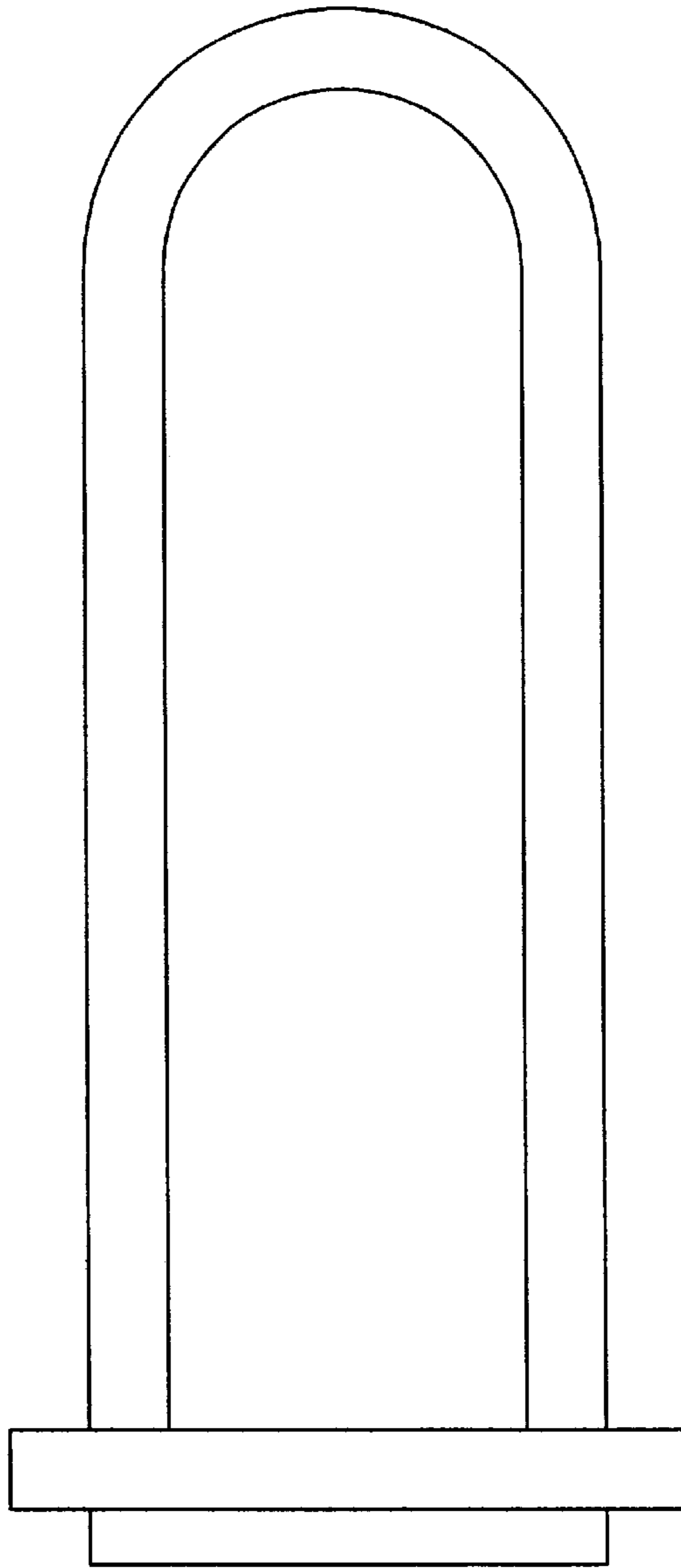
FIG. 1 is an oblique perspective view of the plates for salt, pepper, oil, and vinegar;  
 FIG. 2 is a right side view of the plates for salt, pepper, oil, and vinegar, as shown in FIG. 1;  
 FIG. 3 is a left side view of the plates for salt, pepper, oil, and vinegar;  
 FIG. 4 is a front side view of the plates for salt, pepper, oil, and vinegar;  
 FIG. 5 is a back side view of the plates for salt, pepper, oil, and vinegar;  
 FIG. 6 is a top view of the plates for salt, pepper, oil, and vinegar; and,  
 FIG. 7 is a bottom view of the plates for salt, pepper, oil, and vinegar.

**1 Claim, 7 Drawing Sheets**

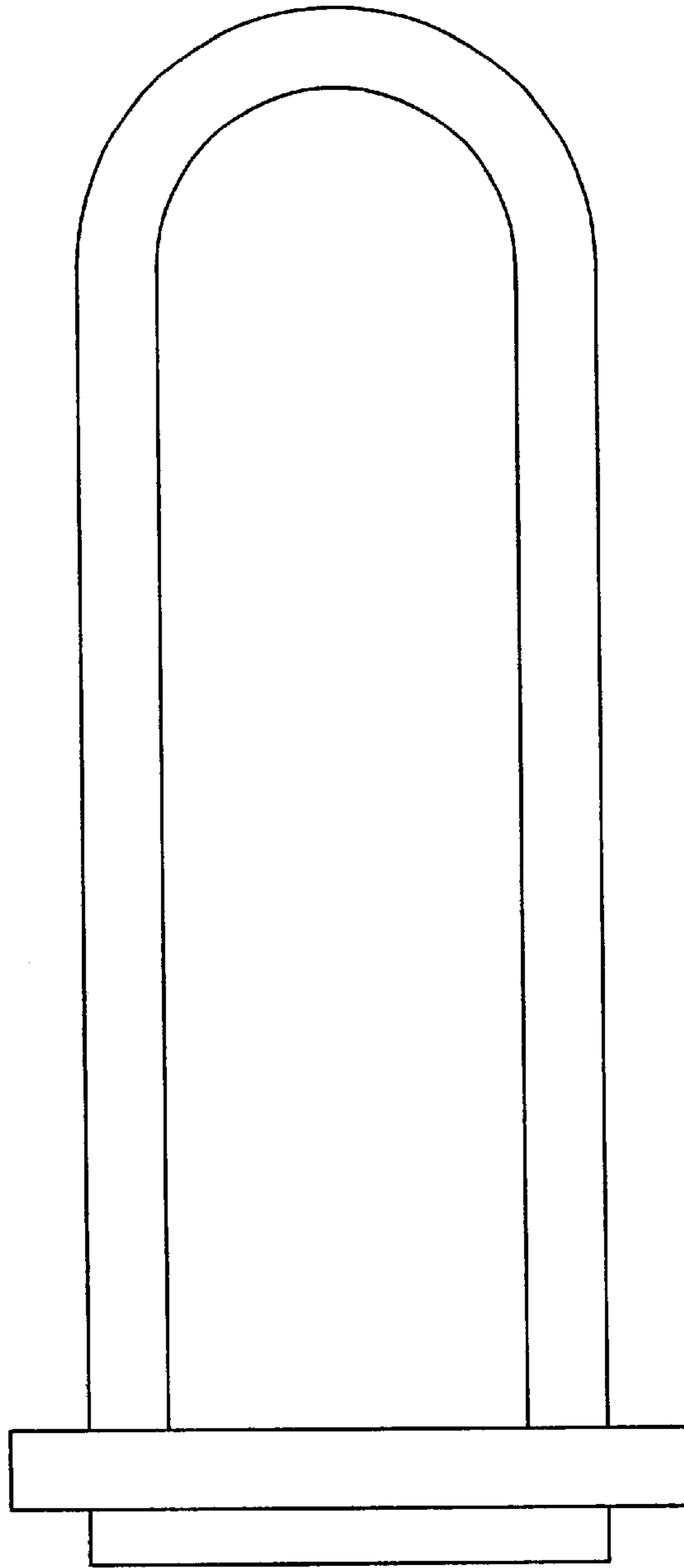




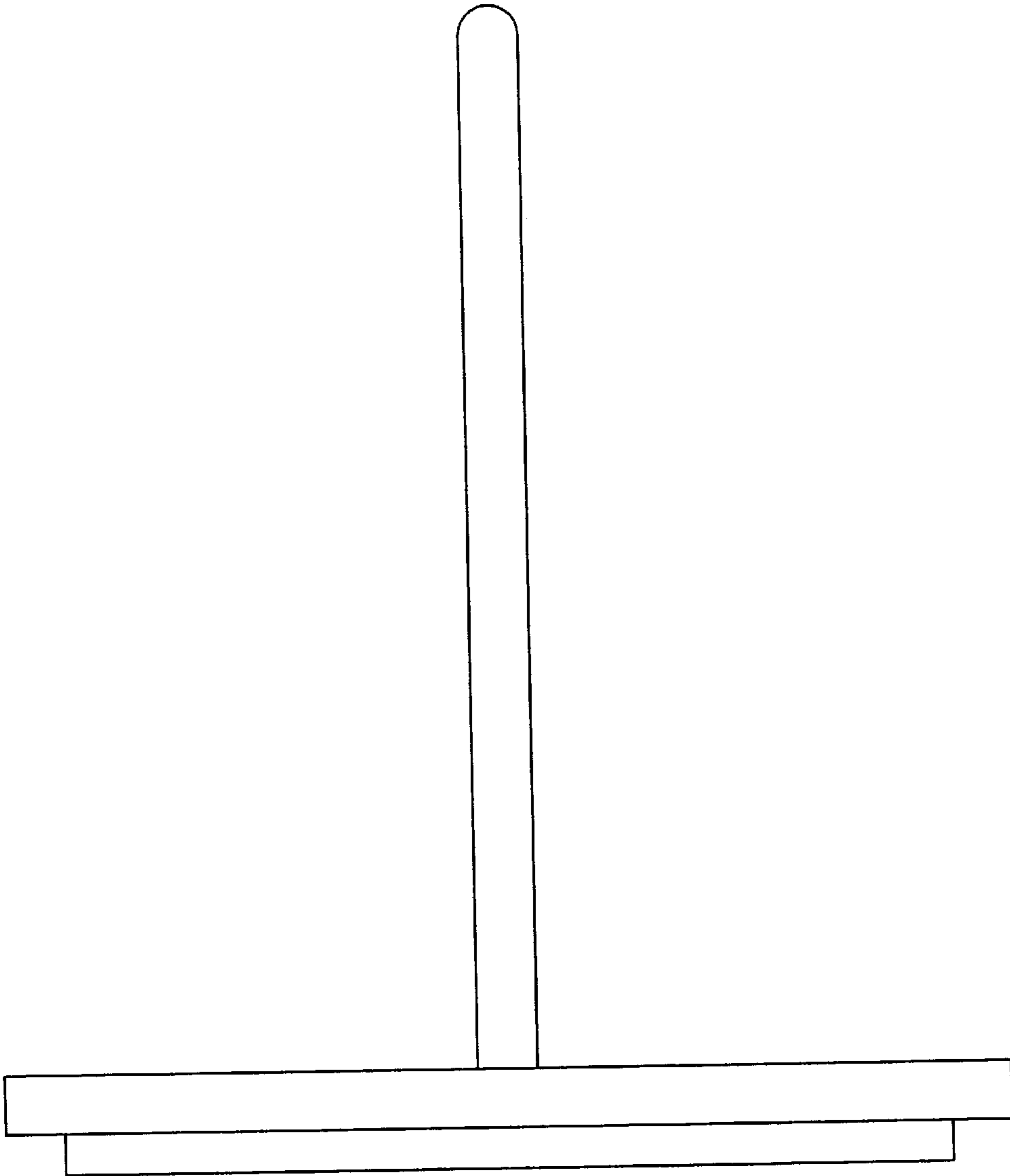
**Fig. 1**



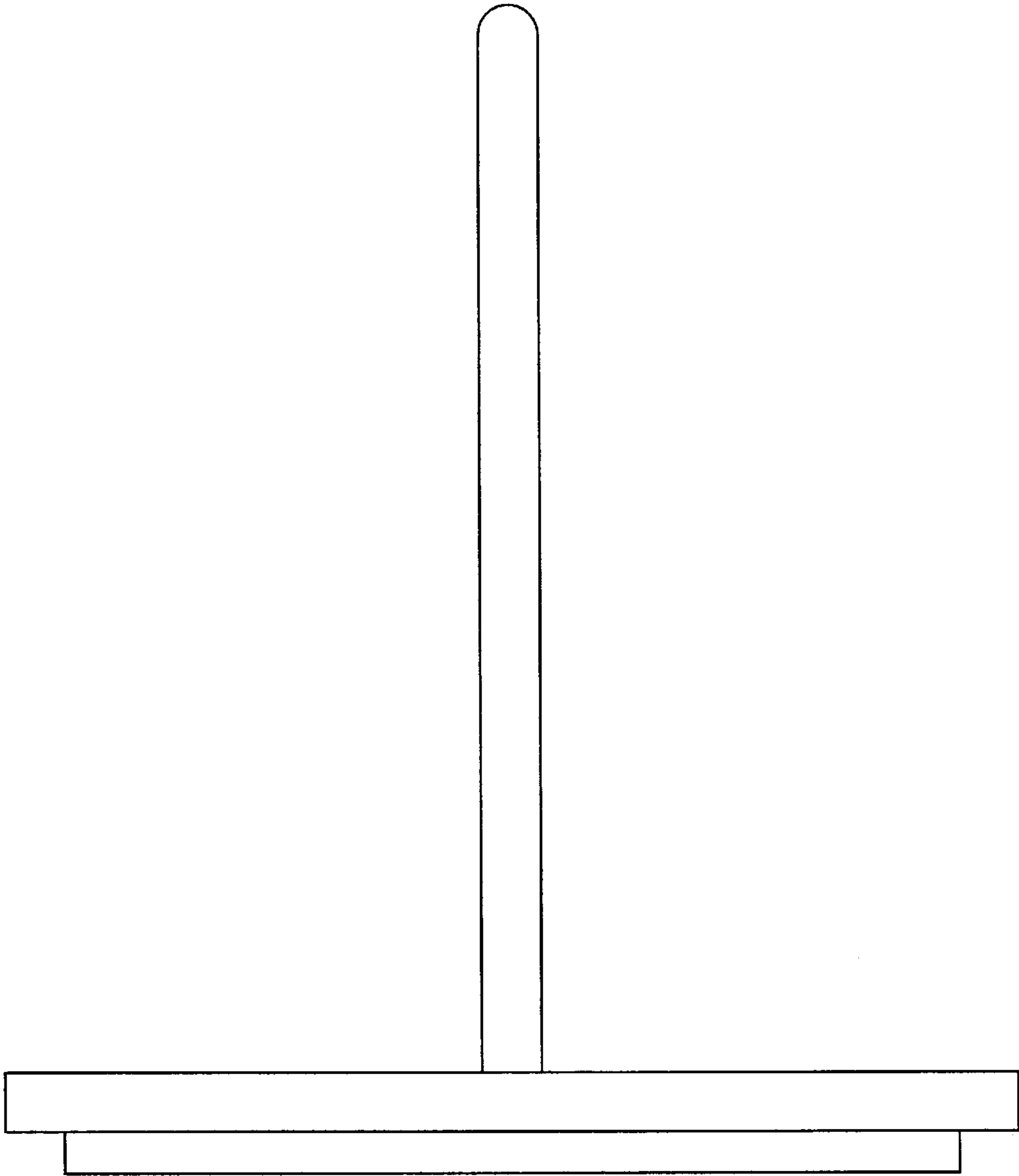
**Fig. 2**



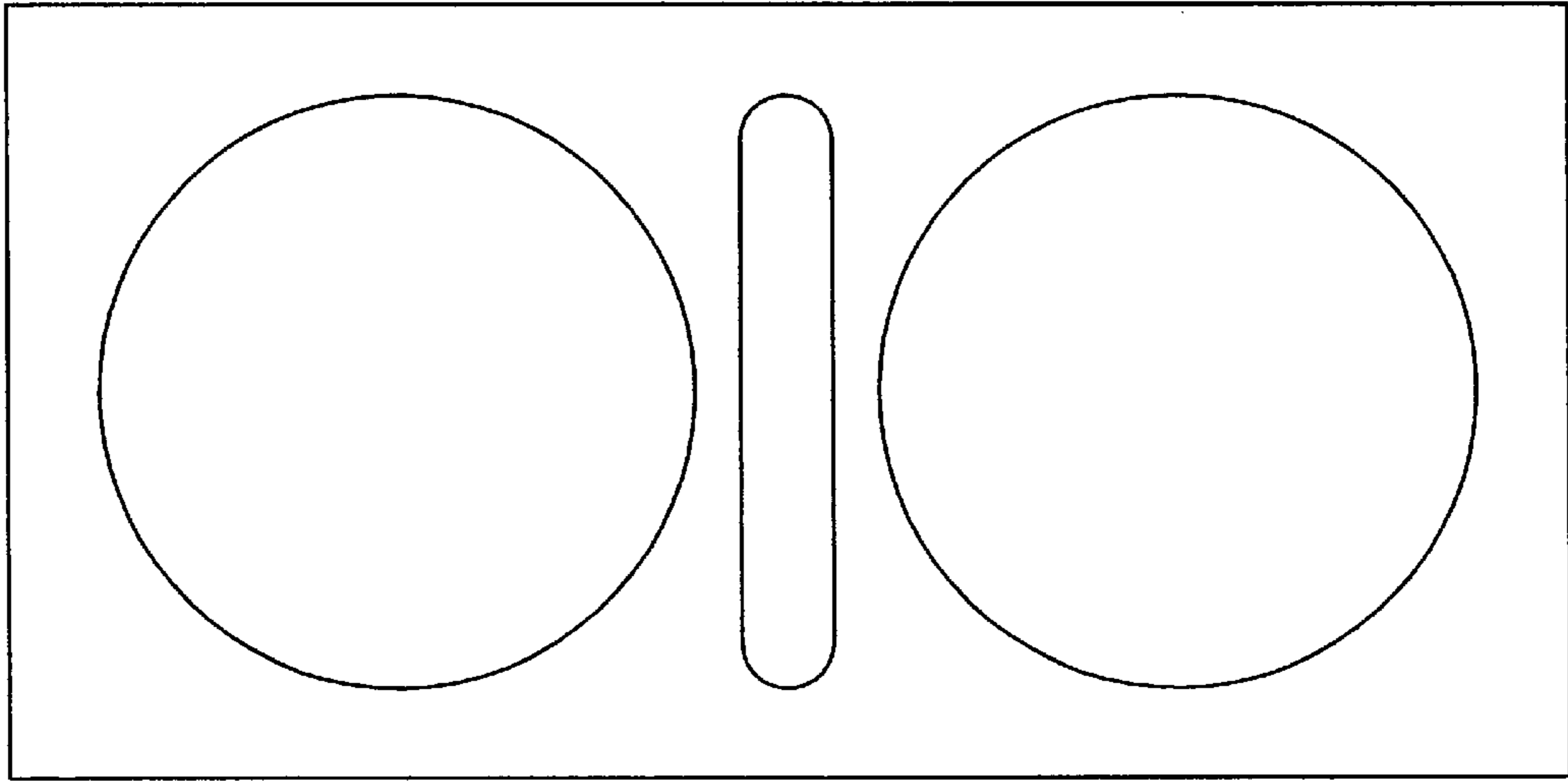
**Fig. 3**



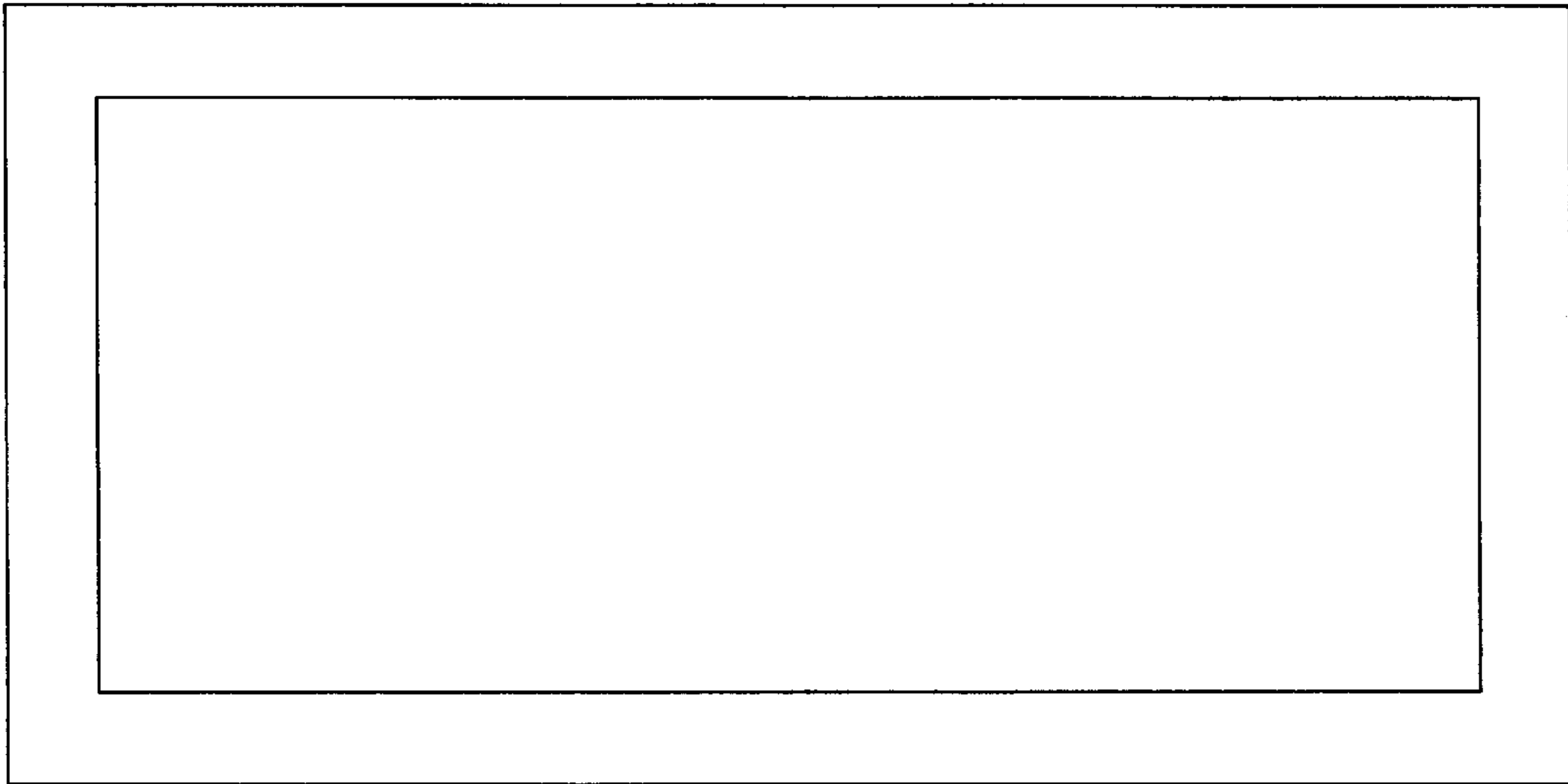
**Fig. 4**



**Fig. 5**



**Fig. 6**



**Fig. 7**