



US00D447915B1

(12) **United States Design Patent**  
**Lefroy-Brooks**

(10) **Patent No.:** **US D447,915 S**

(45) **Date of Patent:** **\*\* Sep. 18, 2001**

(54) **TUMBLER AND HOLDER**

(76) **Inventor:** **Christopher Alan Lefroy-Brooks**, 1  
Grimsdells Corner, Sycamore Road,  
Amersham, Buckinghamshire, HP6 5EL  
(GB)

(\*\*) **Term:** **14 Years**

(21) **Appl. No.:** **29/110,488**

(22) **Filed:** **Sep. 8, 1999**

(30) **Foreign Application Priority Data**

Mar. 8, 1999 (GB) ..... 2081770

(51) **LOC (7) Cl.** ..... **07-01**

(52) **U.S. Cl.** ..... **D7/507; D7/509**

(58) **Field of Search** ..... D7/507, 509, 523,  
D7/620, 619, 204, 622, 529, 510, 552.2,  
533; 206/520, 562; 428/36.4; 220/575,  
23.83, 501, 738; 229/403, 400; 248/146,  
313; D11/154; D9/434; D6/556; D34/1

(56) **References Cited**

**U.S. PATENT DOCUMENTS**

D. 132,368	*	5/1942	Jorgensen	.....	D6/556
D. 209,306	*	11/1967	Schilling	.....	D7/523
D. 209,307	*	11/1967	Schilling	.....	D7/523
D. 223,703	*	5/1972	Cheladze	.....	D7/523
D. 231,296	*	4/1974	Morris et al.	.....	D6/556
D. 283,287	*	4/1986	Bosteels	.....	D7/507
D. 338,374	*	8/1993	Jacobson	.....	D7/552.2
D. 359,883	*	7/1995	Suarez	.....	D7/533
D. 383,942	*	9/1997	Rench et al.	.....	D7/529
D. 412,232	*	7/1999	Anderson	.....	D34/1
D. 431,466	*	10/2000	Wang	.....	D9/434
513,125	*	1/1894	Matthews	.....	248/313 X

2,719,414	*	10/1955	Davis	.....	22/738
4,125,218	*	11/1978	DeBoer	.....	229/400
4,578,296	*	3/1986	Miyazaki et al.	.....	428/36.4
4,726,553	*	2/1988	Wischusen, III	.....	248/146
5,071,060	*	12/1991	DeFelice	.....	229/403

\* cited by examiner

*Primary Examiner*—M. N. Pandozzi

(74) *Attorney, Agent, or Firm*—Ratner & Prestia

(57) **CLAIM**

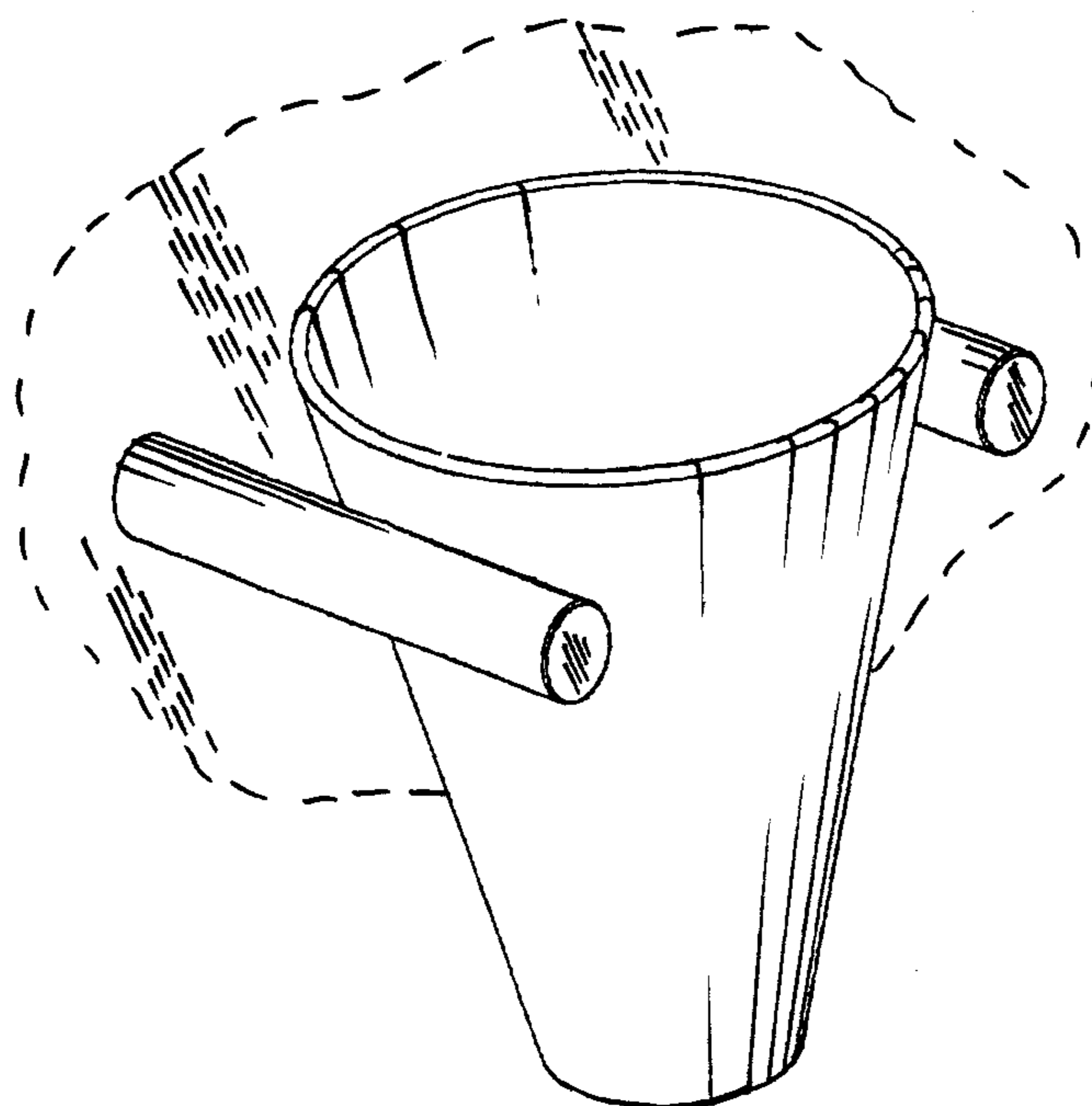
The ornamental design for a tumbler and holder, as shown and described.

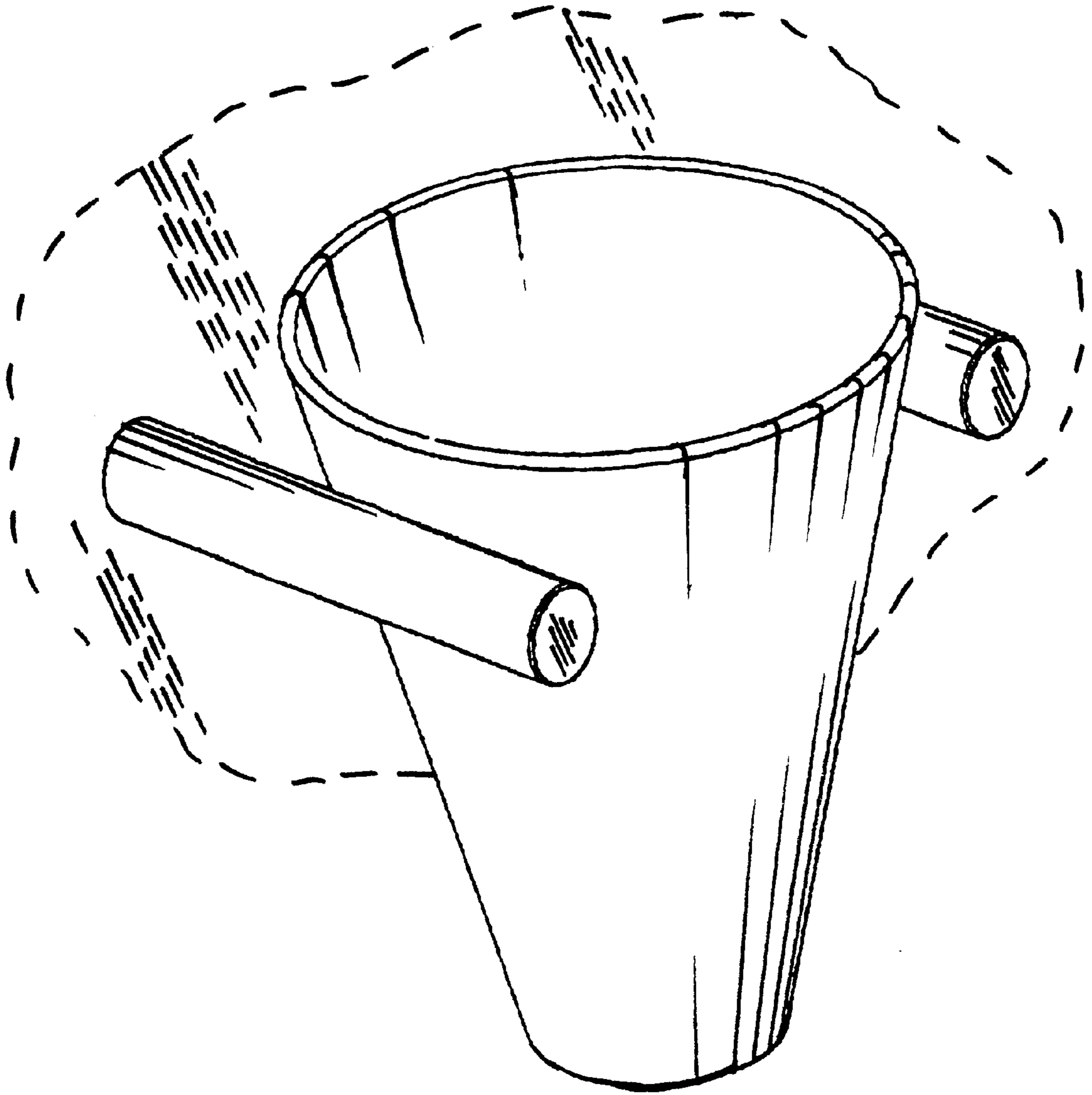
**DESCRIPTION**

FIG. 1 is a perspective view of a tumbler and holder showing our new design with the tumbler mounted in the holder; FIG. 2 is a front view of the tumbler and holder with tumbler mounted in the holder; FIG. 3 is a front view of the tumbler and holder with the tumbler dismounted from the holder; FIG. 4 is a left side view of the tumbler and holder with the tumbler mounted in the holder; and, FIG. 5 is a top view of the tumbler and holder with the tumbler mounted in the holder.

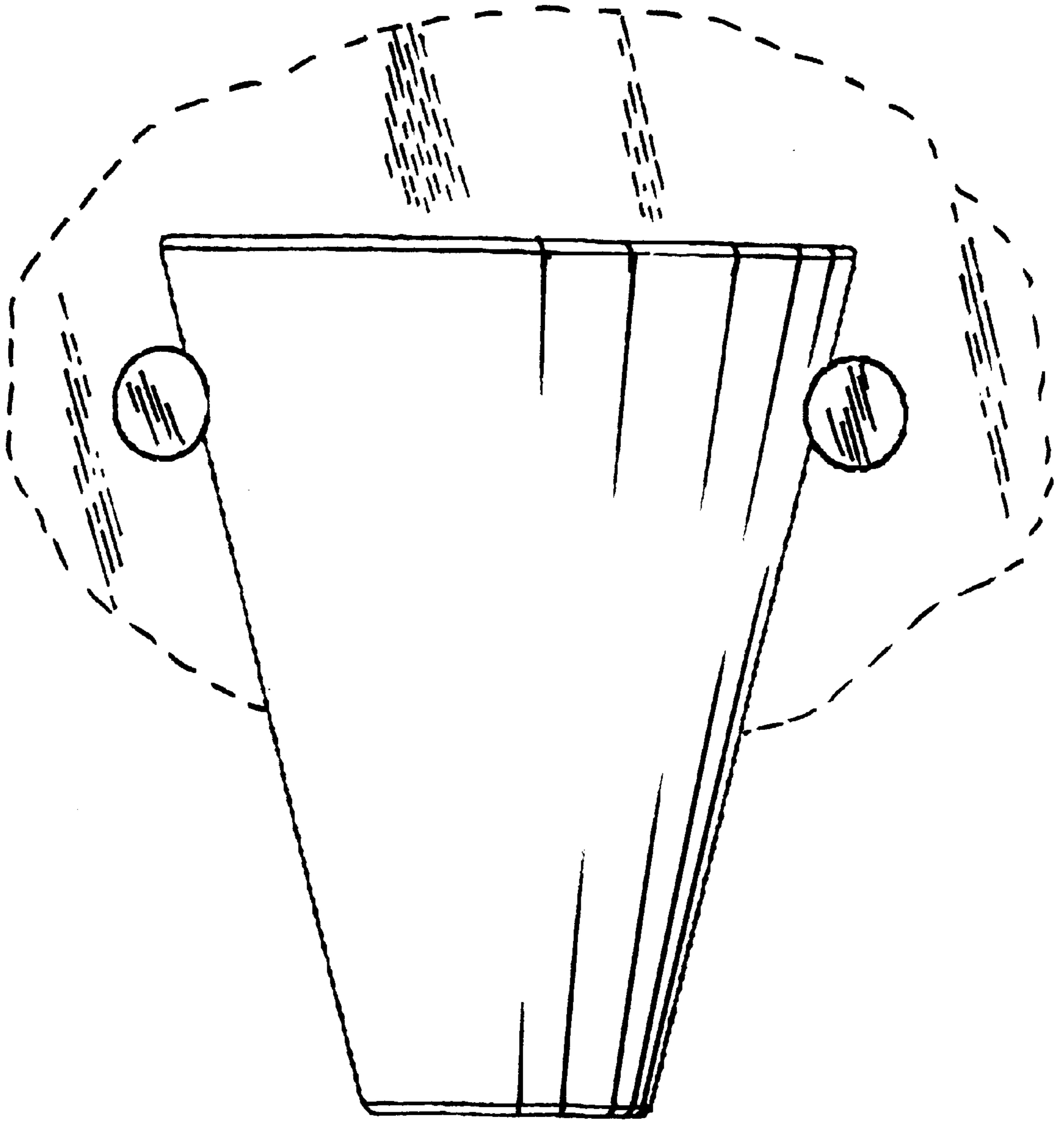
The front views (FIGS. 2 and 3) and rear views (not shown) of the tumbler and holder are symmetrical. Also, the left side view (FIG. 4) and right side view (not shown) of the tumbler and holder are symmetrical. The bottoms of the tumbler and holder are plain and unornamented. The surface shown in broken lines illustrates the environment in which the tumbler and holder are used. The surface shown in broken lines is provided for illustrative purposes only and forms no part of the claimed design. Lines are provided on the surfaces of the tumbler and holder to indicate surface shading.

**1 Claim, 5 Drawing Sheets**

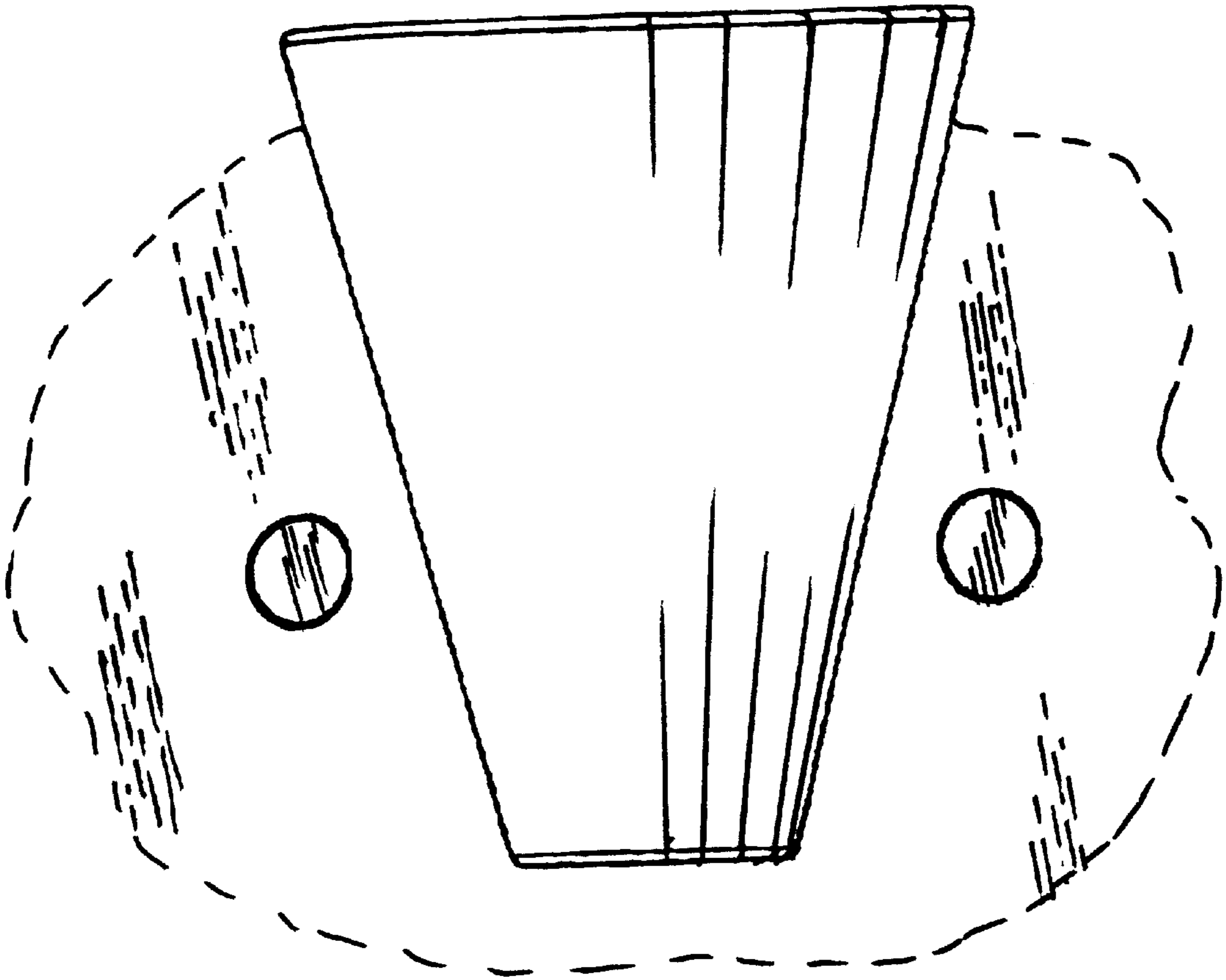




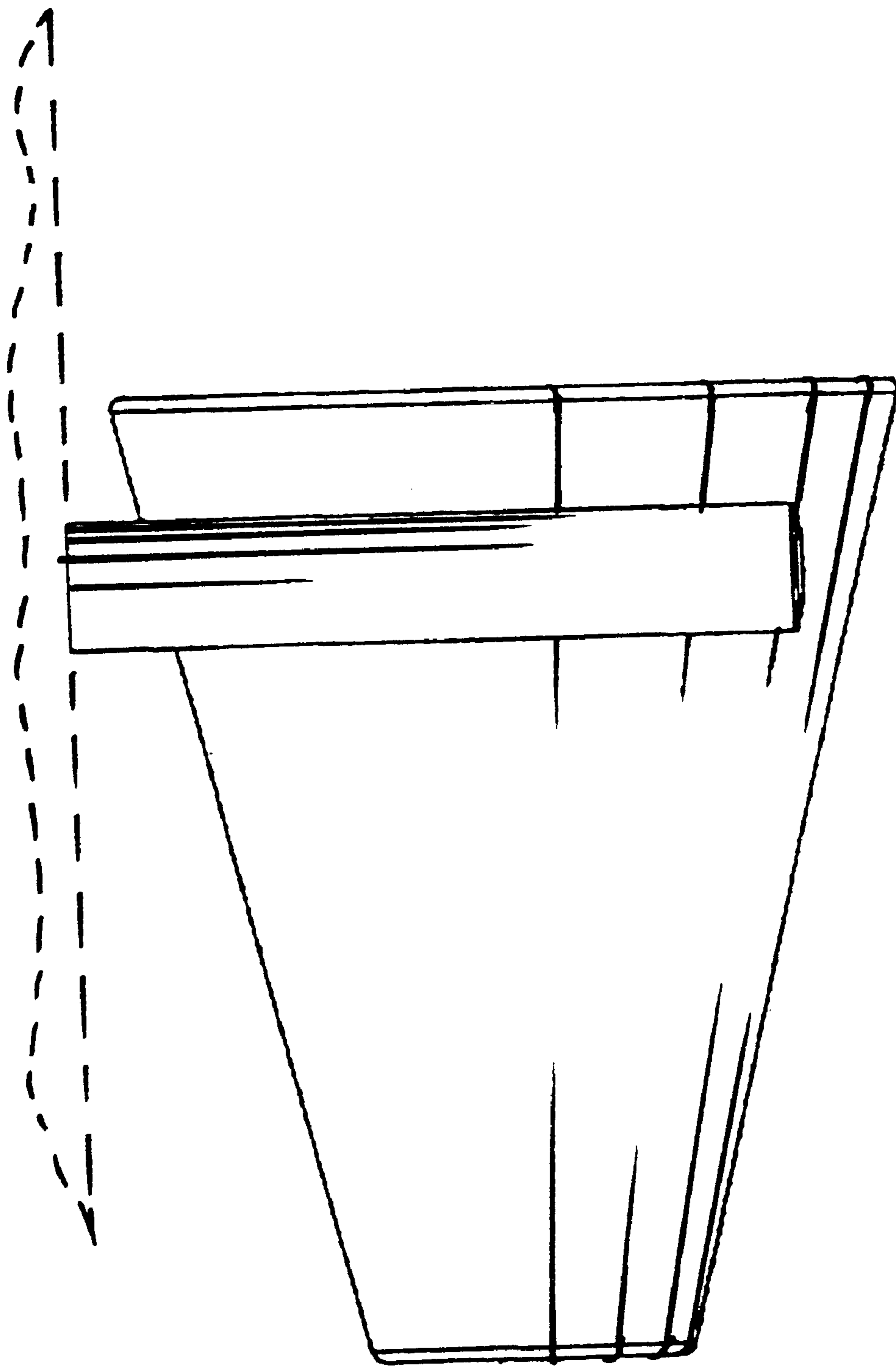
**FIG. 1**



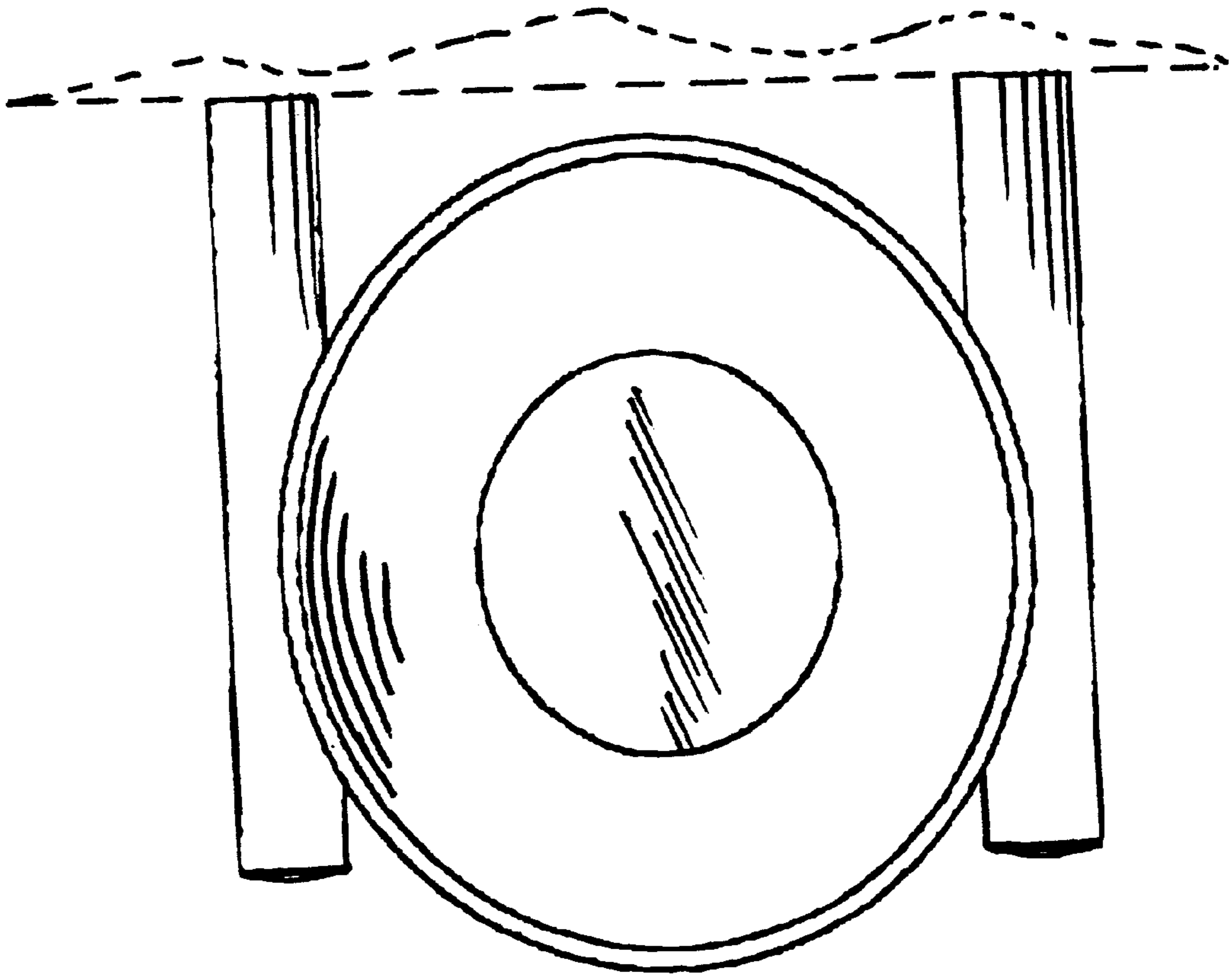
**FIG. 2**



**FIG. 3**



**FIG. 4**



*FIG. 5*