



US00D447913B1

(12) **United States Design Patent**
Cragg

(10) **Patent No.:** **US D447,913 S**

(45) **Date of Patent:** **** Sep. 18, 2001**

(54) **BARBECUE GRILL SHAPED LIKE A BEVERAGE CAN**

D. 327,218 * 6/1992 Nickerson D9/503
D. 424,438 * 5/2000 Turner et al. D9/438
D. 432,015 * 10/2000 Holiday D9/518

(76) **Inventor:** **Brandon Cragg**, 119 Merriam Ave.,
Newton, NJ (US) 07860

* cited by examiner

(**) **Term:** **14 Years**

Primary Examiner—Ruth McInroy

(21) **Appl. No.:** **29/117,459**

(57) **CLAIM**

(22) **Filed:** **Jan. 25, 2000**

The ornamental design for a barbecue grill shaped like a beverage can, as shown and described.

(51) **LOC (7) Cl.** **07-02**

DESCRIPTION

(52) **U.S. Cl.** **D7/402; D7/334**

(58) **Field of Search** D7/332-337, 402-404;
99/419, 421 R, 481-482, 467; 126/25 R,
25 A, 25 AA, 9 R, 39 R, 41 R; 215/255;
220/359.2, 269, 270, 272, 906; D9/518,
438

FIG. 1 is a right front perspective view of a barbecue grill showing my new design;
FIG. 2 is a front elevational view thereof;
FIG. 3 is a bottom plan view thereof;
FIG. 4 is a rear elevational view thereof;
FIG. 5 is a top plan view thereof;
FIG. 6 is a left side elevational view thereof; and,
FIG. 7 is a right side elevational view thereof.

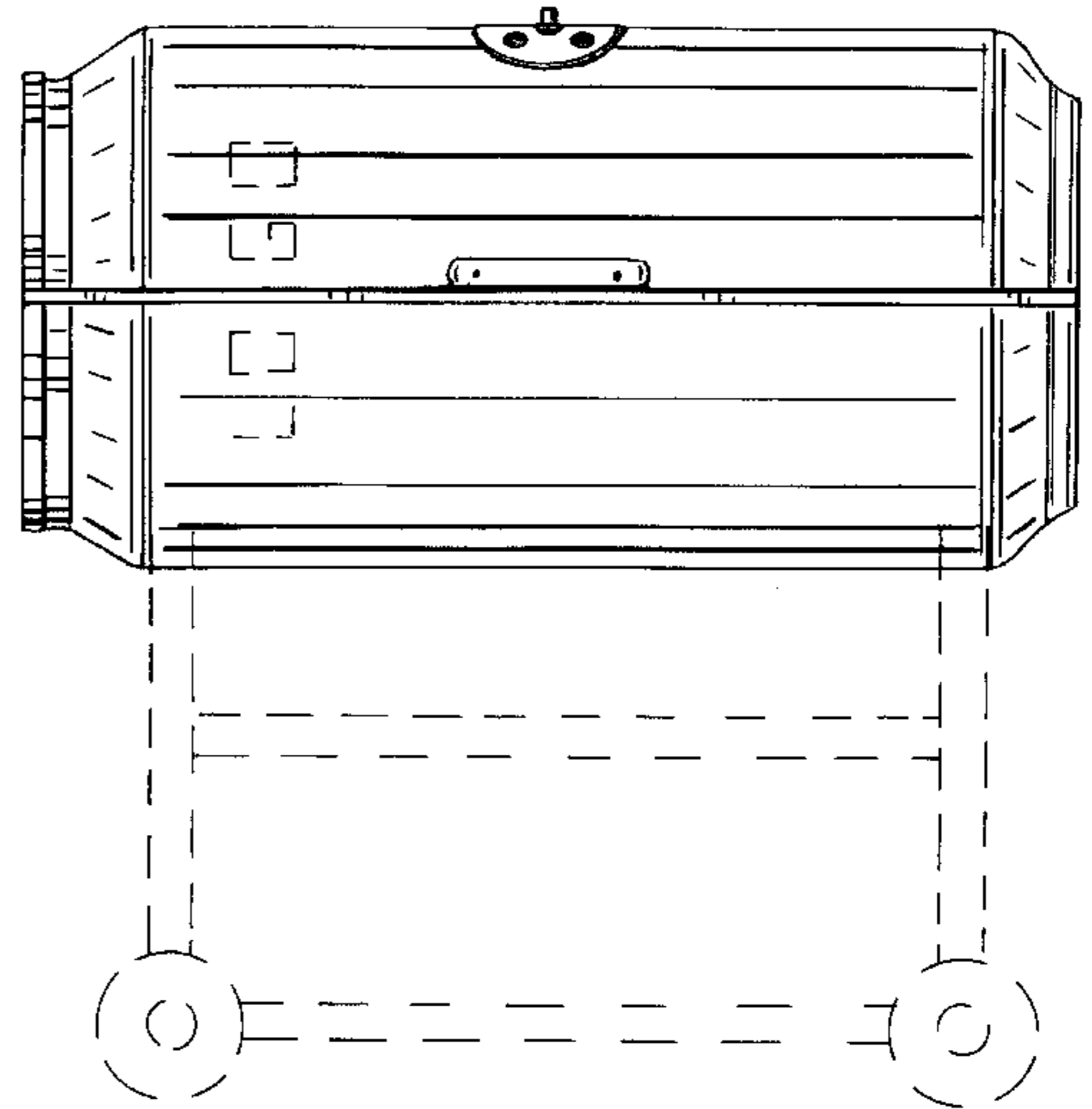
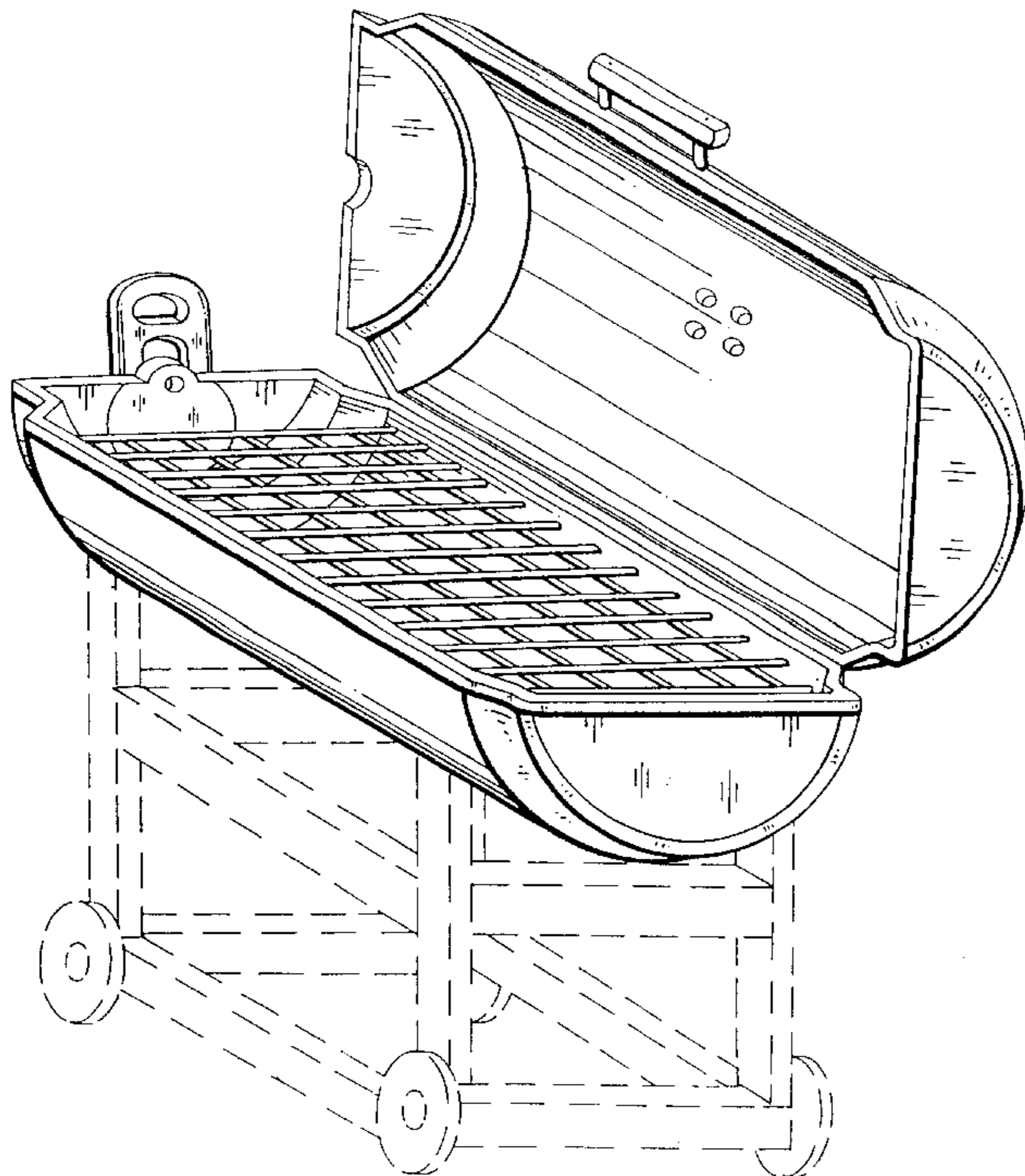
(56) **References Cited**

The broken lines showing the barbecue cart including the console panel, the side tables, the gas tank, and the logos are for illustrative purposes only and form no part of the claimed design.

U.S. PATENT DOCUMENTS

- D. 165,998 * 2/1952 Pollard D7/334
- D. 235,088 * 5/1975 Erickson D7/332
- D. 252,788 * 9/1979 Talbert D7/334
- D. 258,108 * 2/1981 Cone D7/332

1 Claim, 6 Drawing Sheets



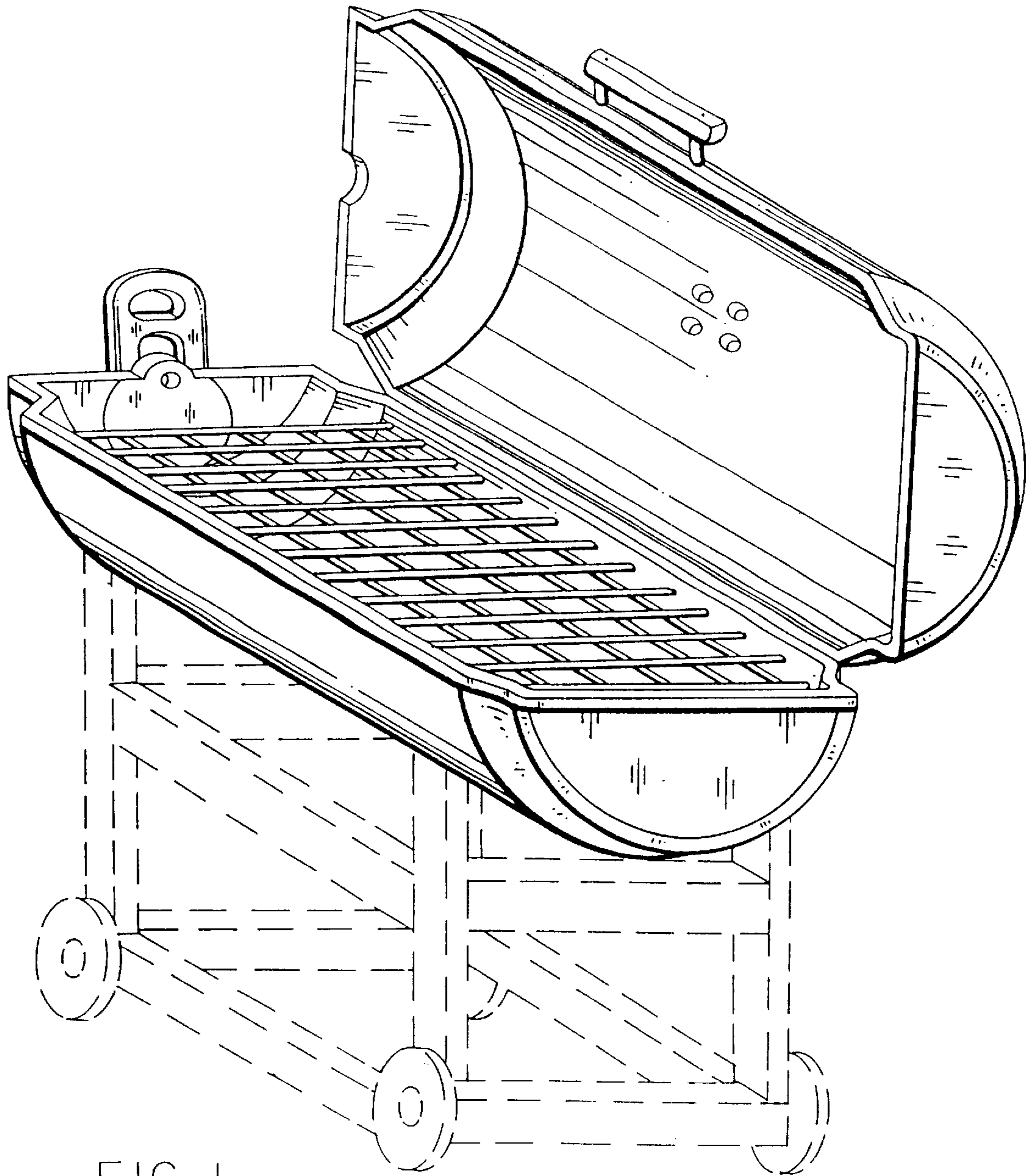


FIG. 1

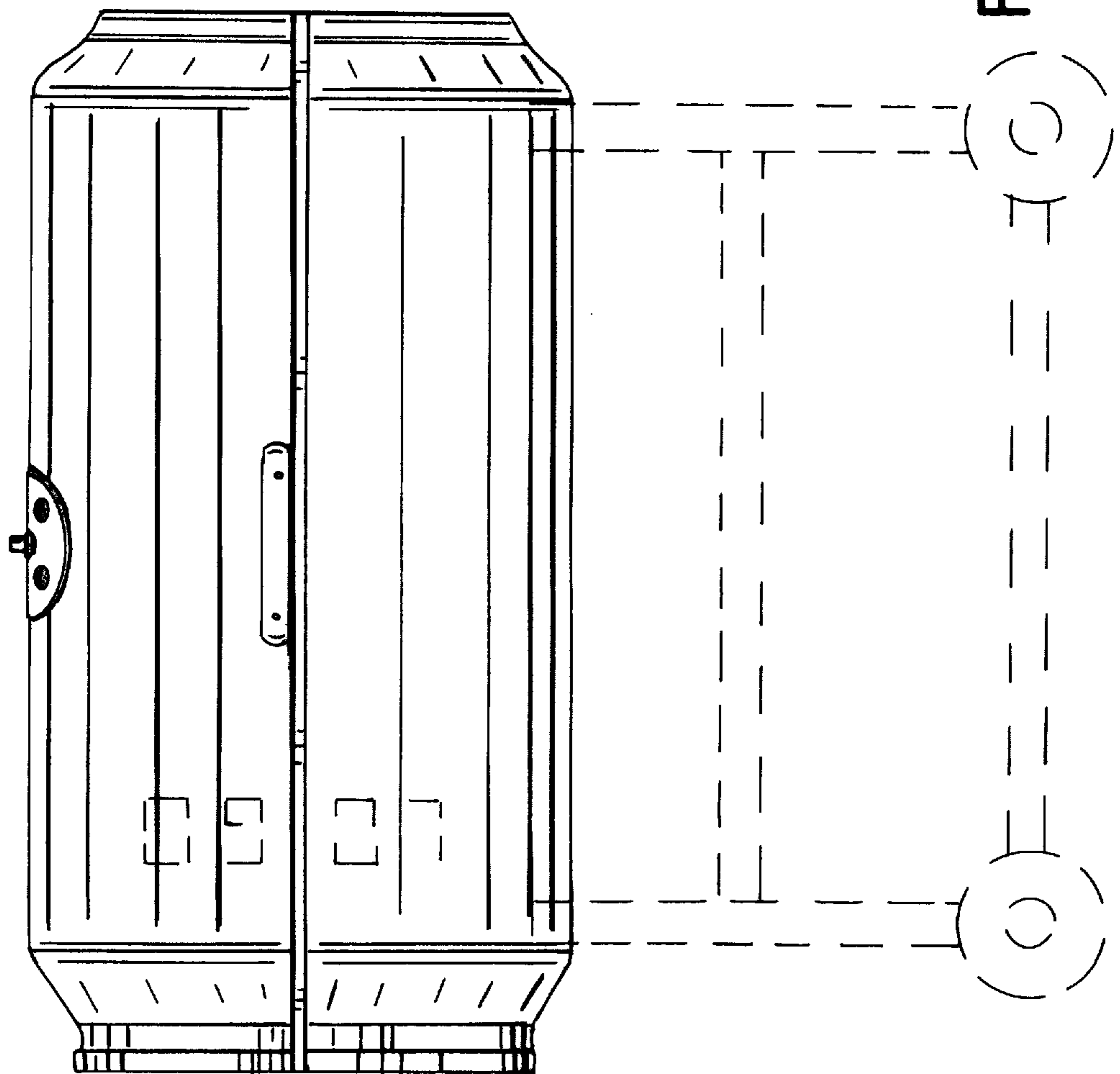


FIG. 2

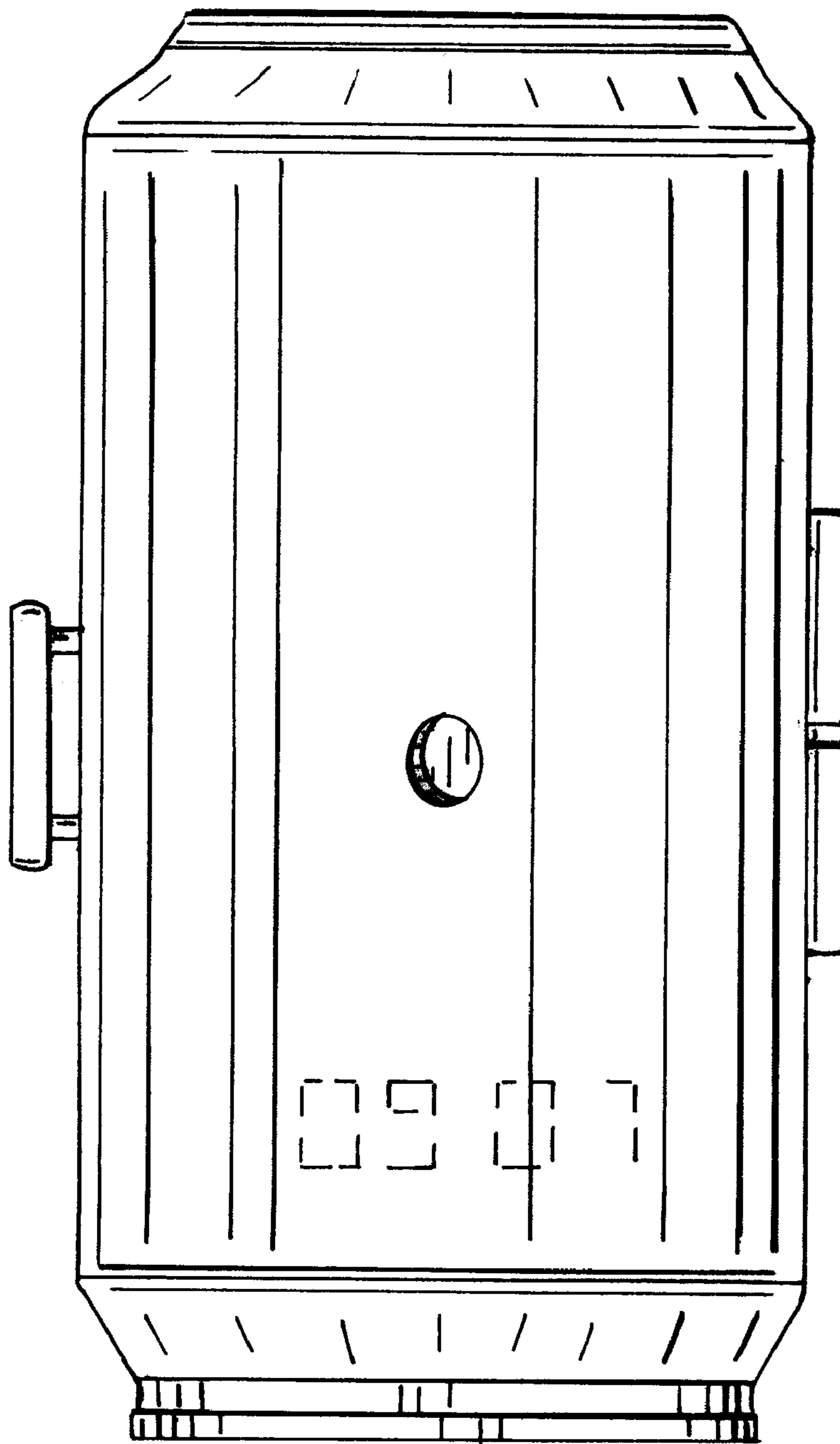


FIG. 3

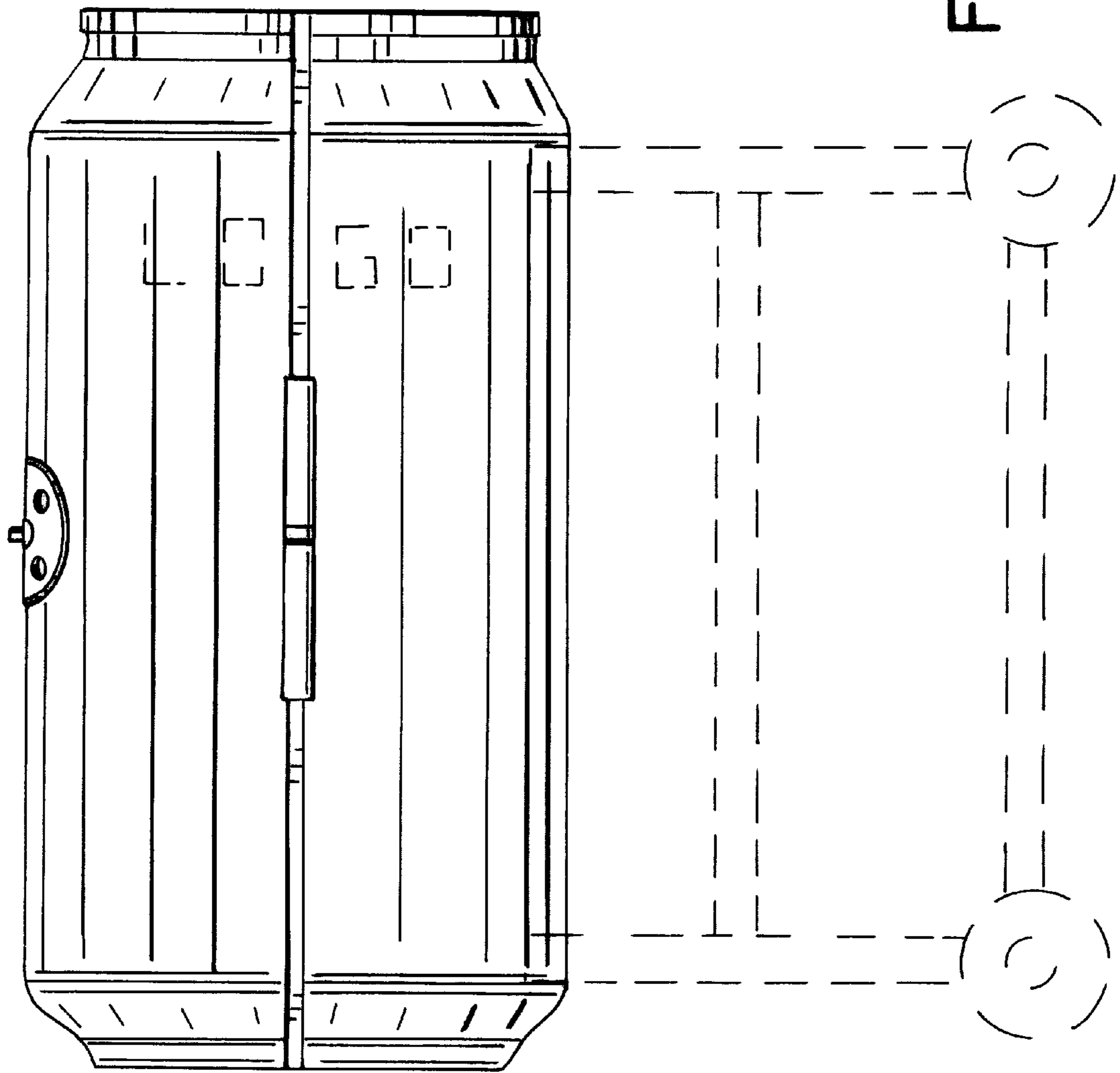


FIG. 4

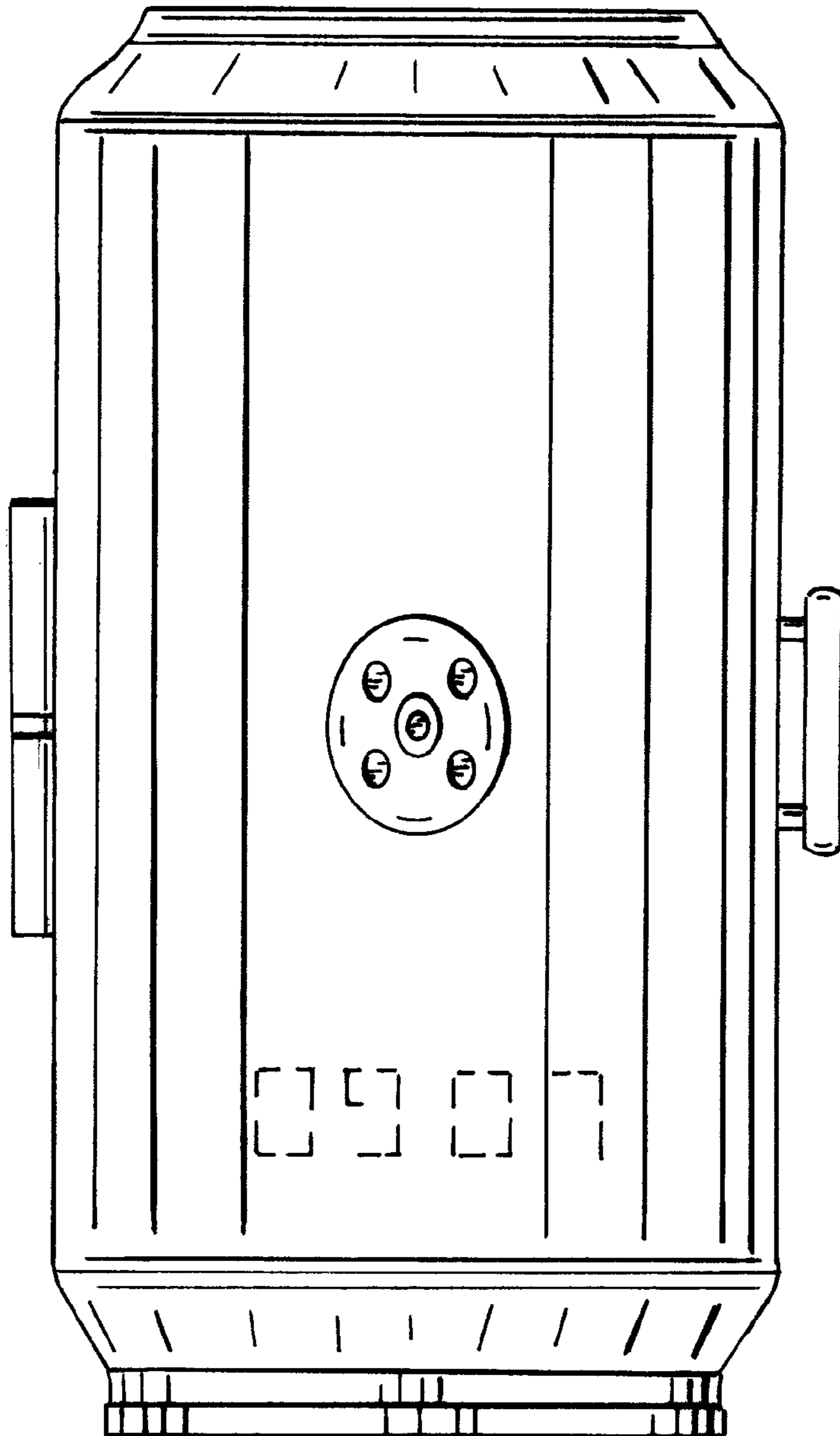


FIG. 5

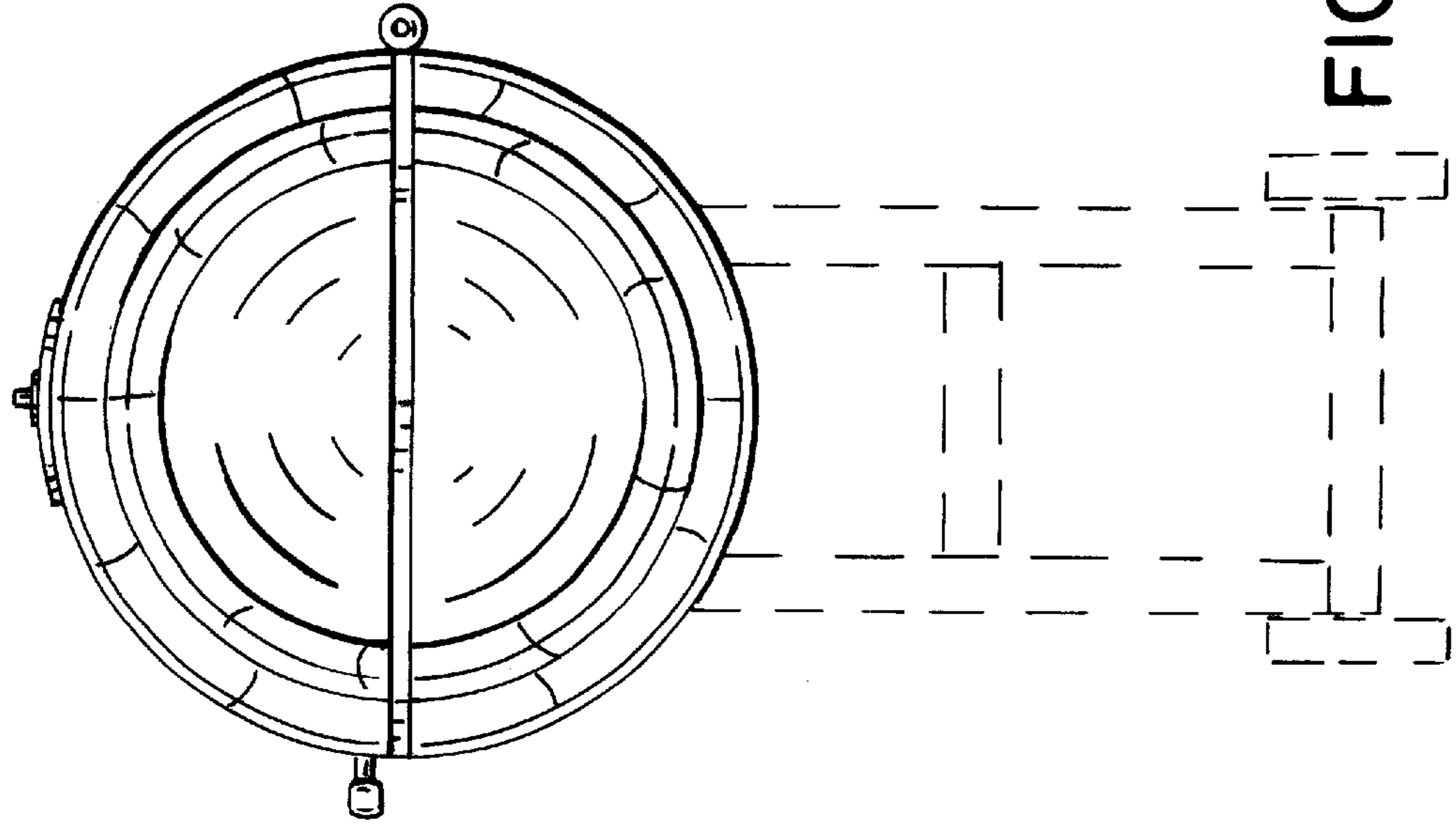


FIG. 7

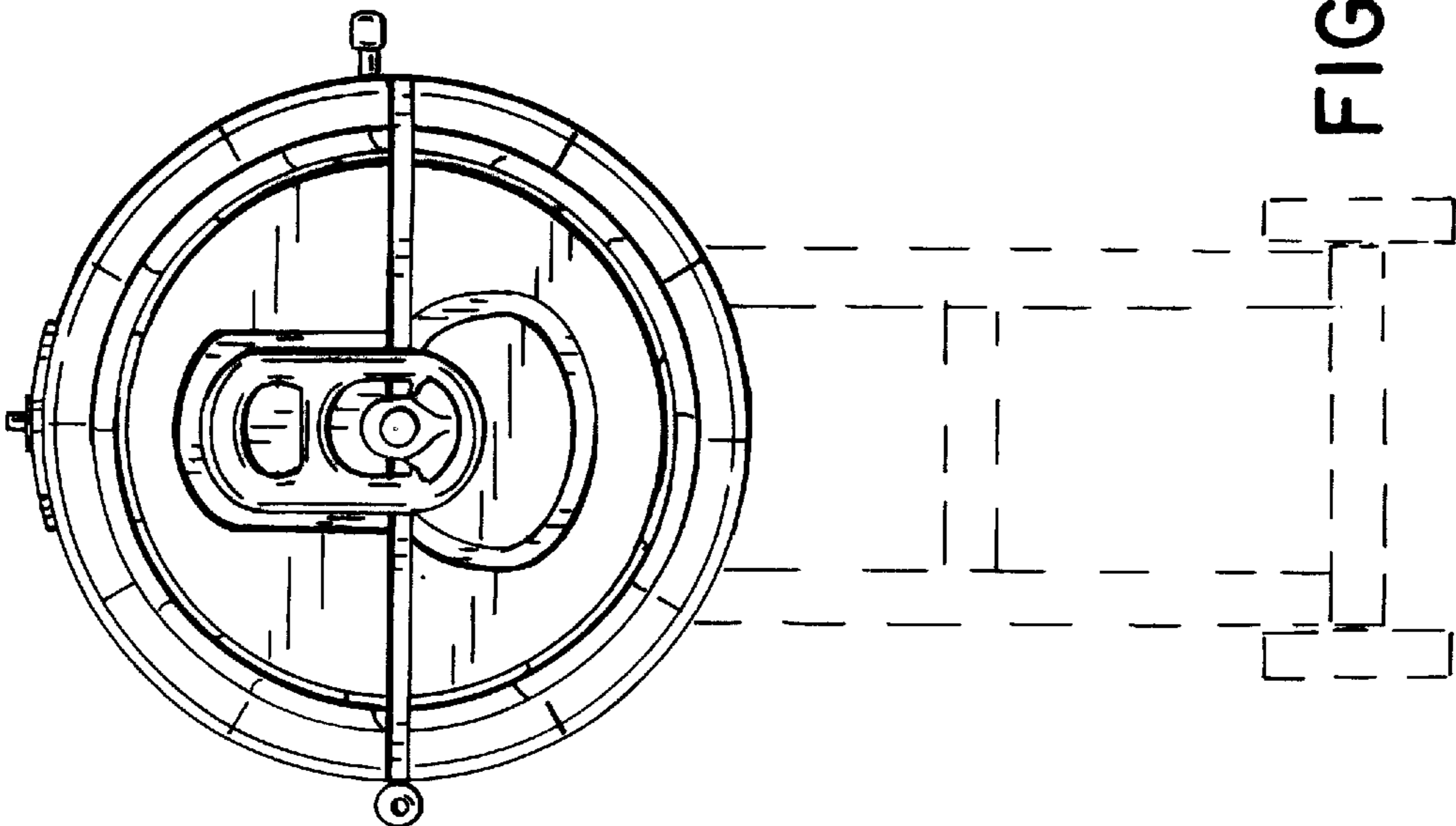


FIG. 6