



US00D447909B1

(12) **United States Design Patent**  
**Saunders et al.**

(10) **Patent No.:** **US D447,909 S**

(45) **Date of Patent:** **\*\* Sep. 18, 2001**

(54) **HANDLE FOR SKEWERS**

(75) Inventors: **William J. Saunders**, Atlanta, GA  
(US); **William Bullock**, Champaign, IL  
(US)

(73) Assignee: **W. C. Bradley Company**, Columbus,  
GA (US)

(\*\*) Term: **14 Years**

(21) Appl. No.: **29/129,041**

(22) Filed: **Sep. 6, 2000**

(51) **LOC (7) Cl.** ..... **07-06**

(52) **U.S. Cl.** ..... **D7/395**

(58) **Field of Search** ..... D7/393-395, 401.2,  
D7/682-696; D8/107; 16/110.1, 430, 431;  
99/419, 421 A, 450

(56) **References Cited**

**U.S. PATENT DOCUMENTS**

- D. 236,073 \* 7/1975 Monagle ..... D7/691
- D. 331,525 \* 12/1992 Anderson ..... D7/683

- D. 401,123 \* 11/1998 McHale ..... D7/683
- 2,747,911 \* 5/1956 Kuever ..... 99/450

\* cited by examiner

*Primary Examiner*—Terry A. Wallace

(74) *Attorney, Agent, or Firm*—James W. Kayden; Thomas,  
Kayden, Horstemeyer & Risley

(57) **CLAIM**

The ornamental design for a handle for skewers, as shown  
and described.

**DESCRIPTION**

FIG. 1 is a perspective view showing our new handle for  
skewers;

FIG. 2 is a left side elevational view thereof, the right side  
being a mirror image thereof;

FIG. 3 front elevational view thereof.

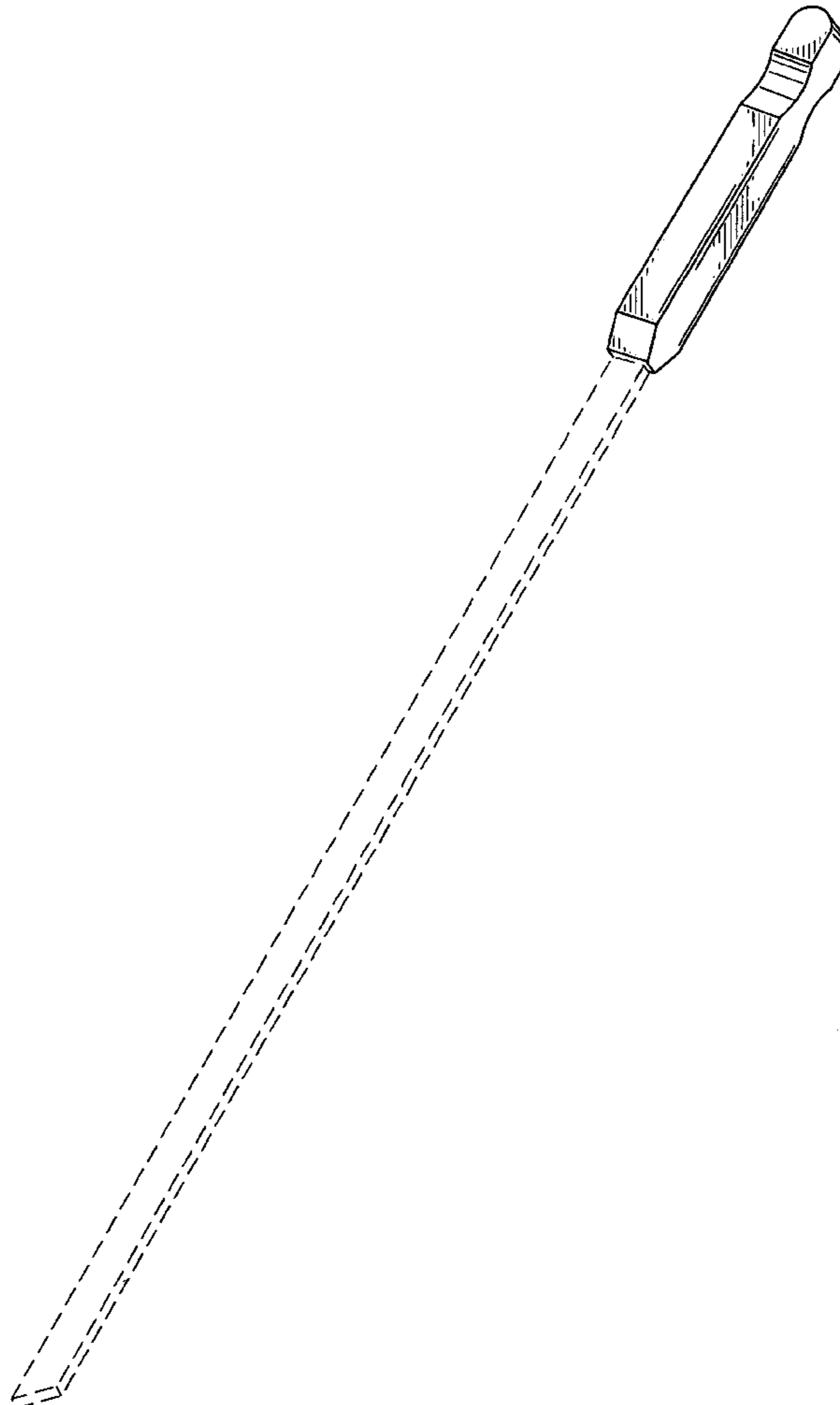
FIG. 4 is a rear elevational view thereof;

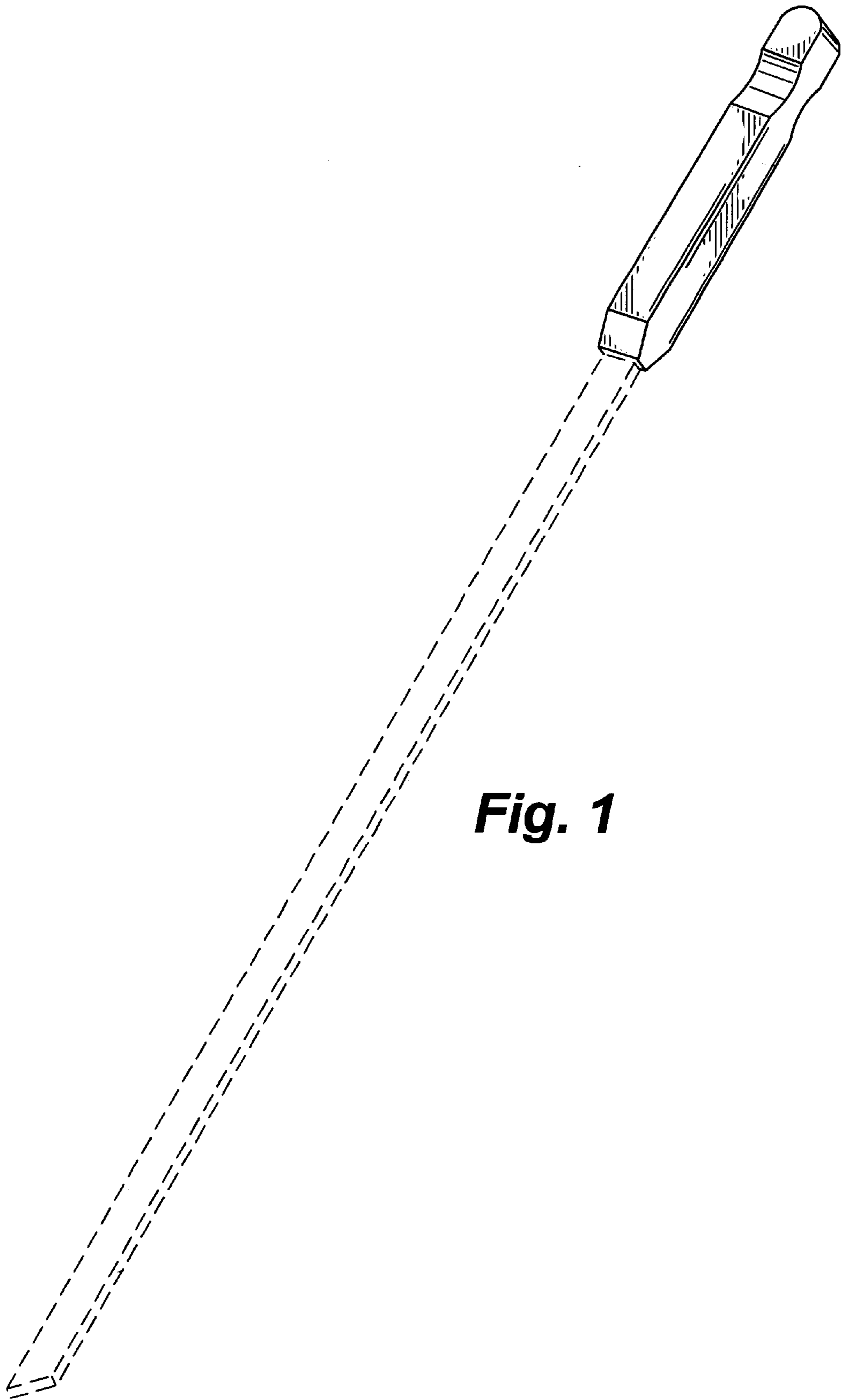
FIG. 5 is a top plan view thereof; and,

FIG. 6 is a bottom plan view thereof.

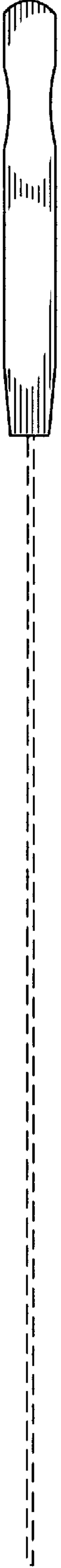
The broken lines are for illustrative purposes only and form  
no part of the claimed design.

**1 Claim, 2 Drawing Sheets**





**Fig. 1**



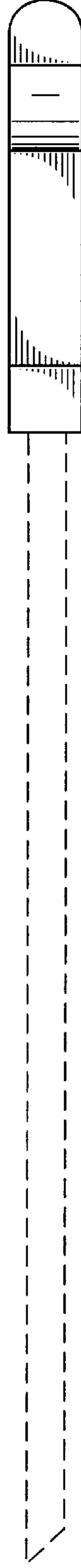
**Fig. 2**



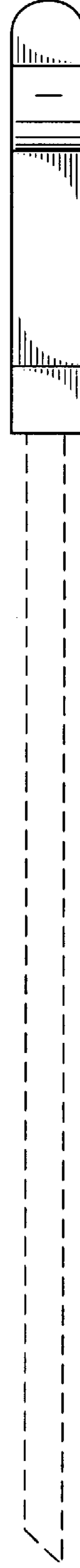
**Fig. 3**



**Fig. 4**



**Fig. 5**



**Fig. 6**