



US00D447908B1

(12) **United States Design Patent**
Beck

(10) **Patent No.:** **US D447,908 S**

(45) **Date of Patent:** **** Sep. 18, 2001**

(54) **COVER FOR A PRESSURE COOKER**

D. 413,483 9/1999 Roussard D7/358
D. 439,104 3/2001 Thakur D7/360

(75) Inventor: **Hans-Jürgen Beck**, Littau (CH)

FOREIGN PATENT DOCUMENTS

(73) Assignee: **AMC International Alfa Metalcraft Corporation AG** (CH)

007548 10/1985 (CH) .
026223 5/1993 (CH) .

(**) Term: **14 Years**

Primary Examiner—Caron D. Veynar
(74) *Attorney, Agent, or Firm*—Webb Ziesenheim Logsdon Orkin & Hanson, P.C.

(21) Appl. No.: **29/132,137**

(22) Filed: **Nov. 2, 2000**

(57) **CLAIM**

(30) **Foreign Application Priority Data**

The ornamental design for a cover for a pressure cooker, as shown.

May 3, 2000 (XH) DMA/004 889

DESCRIPTION

(51) **LOC (7) Cl.** **07-02**

(52) **U.S. Cl.** **D7/391**

(58) **Field of Search** D7/354–361, 391;
99/324; 220/573.1, 200, 212, 367.1, 376,
912

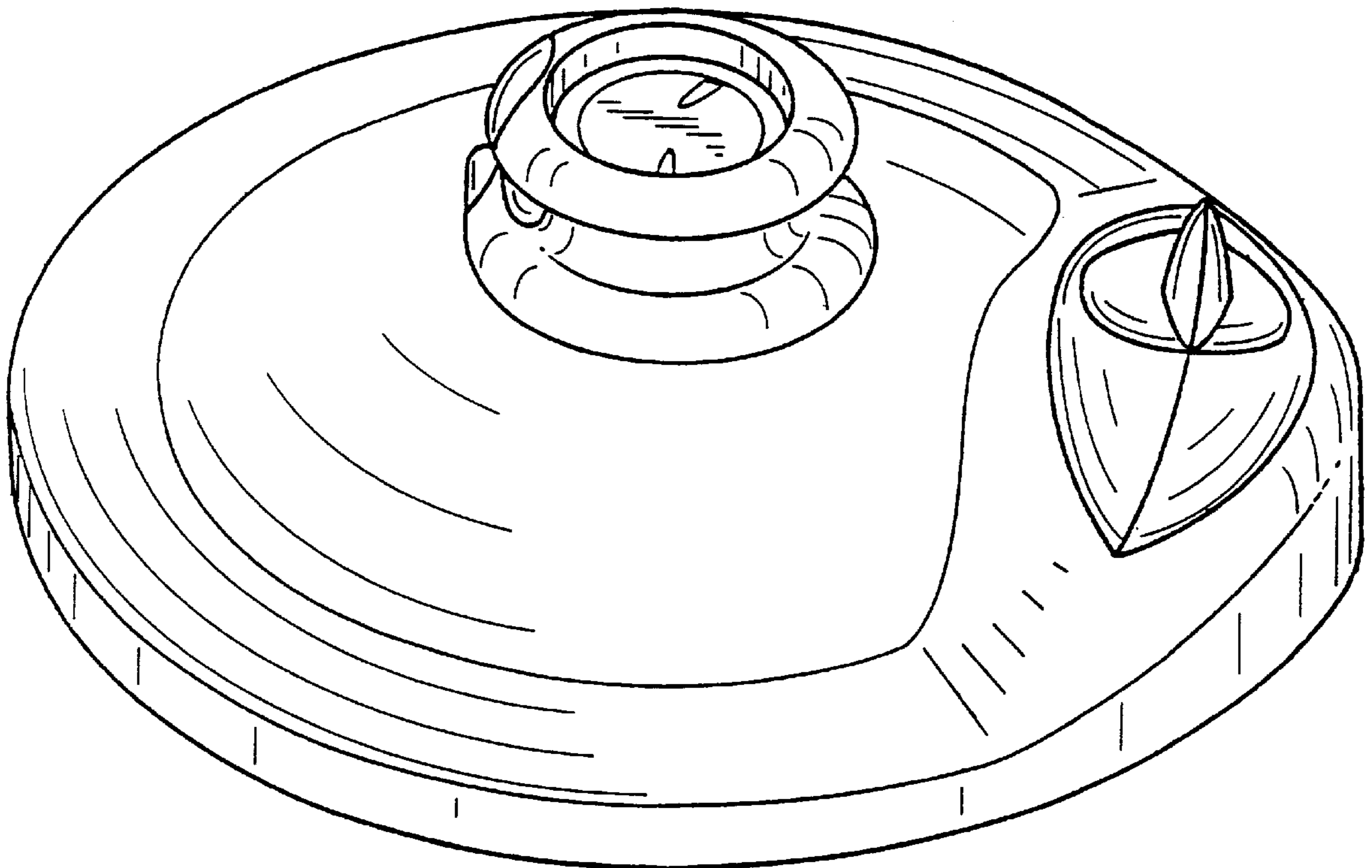
FIG. 1 is a perspective view of a cover for a pressure cooker showing my new design;
FIG. 2 is a top plan view thereof;
FIG. 3 is a bottom plan view thereof;
FIG. 4 is a front elevational view thereof;
FIG. 5 is a rear elevational view thereof;
FIG. 6 is a left side elevational view thereof; and,
FIG. 7 is a right side elevational view thereof.

(56) **References Cited**

U.S. PATENT DOCUMENTS

D. 305,493 1/1990 Ryser D7/391
D. 365,964 1/1996 Gebhardt D7/393

1 Claim, 5 Drawing Sheets



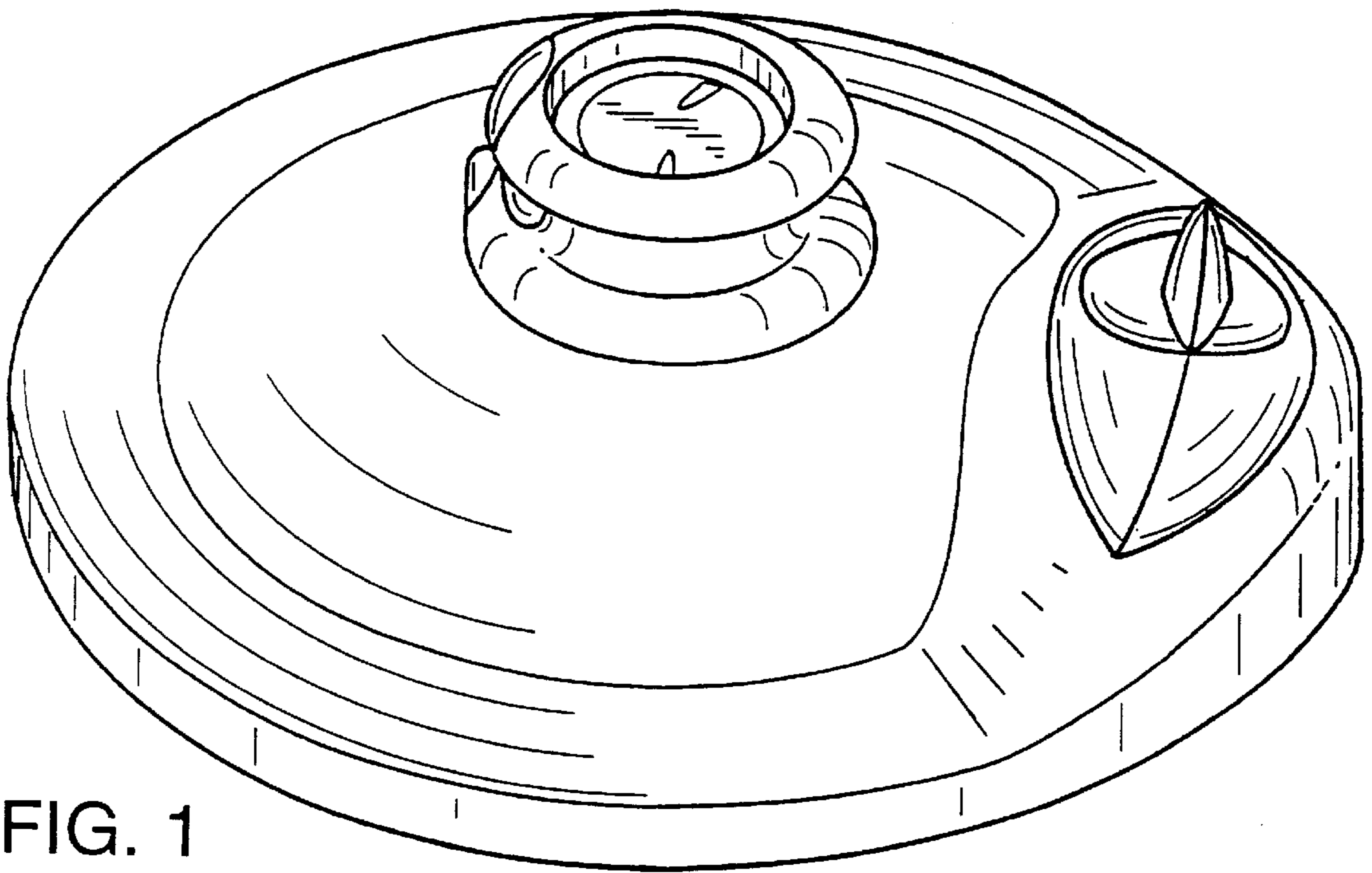


FIG. 1

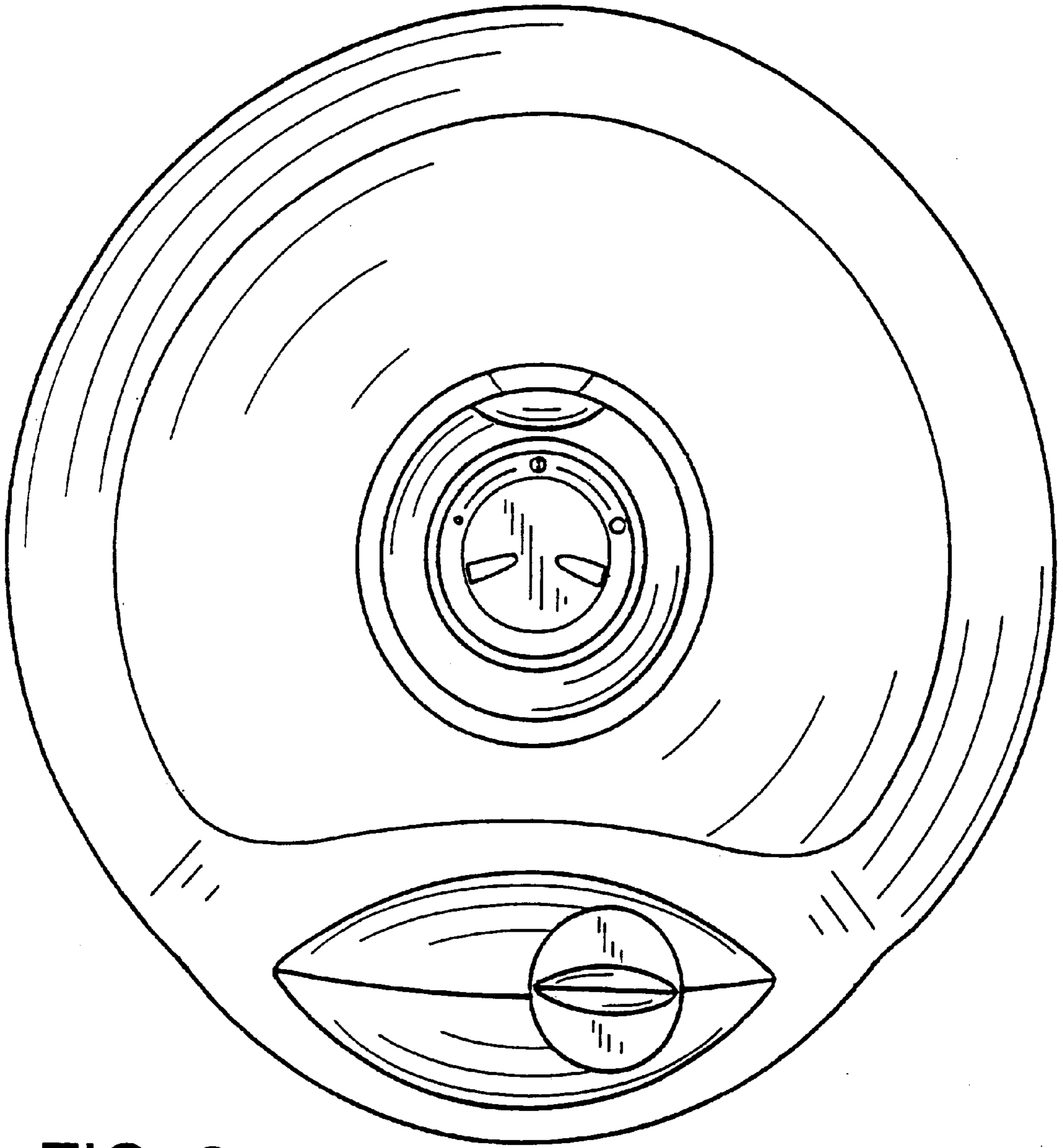


FIG. 2

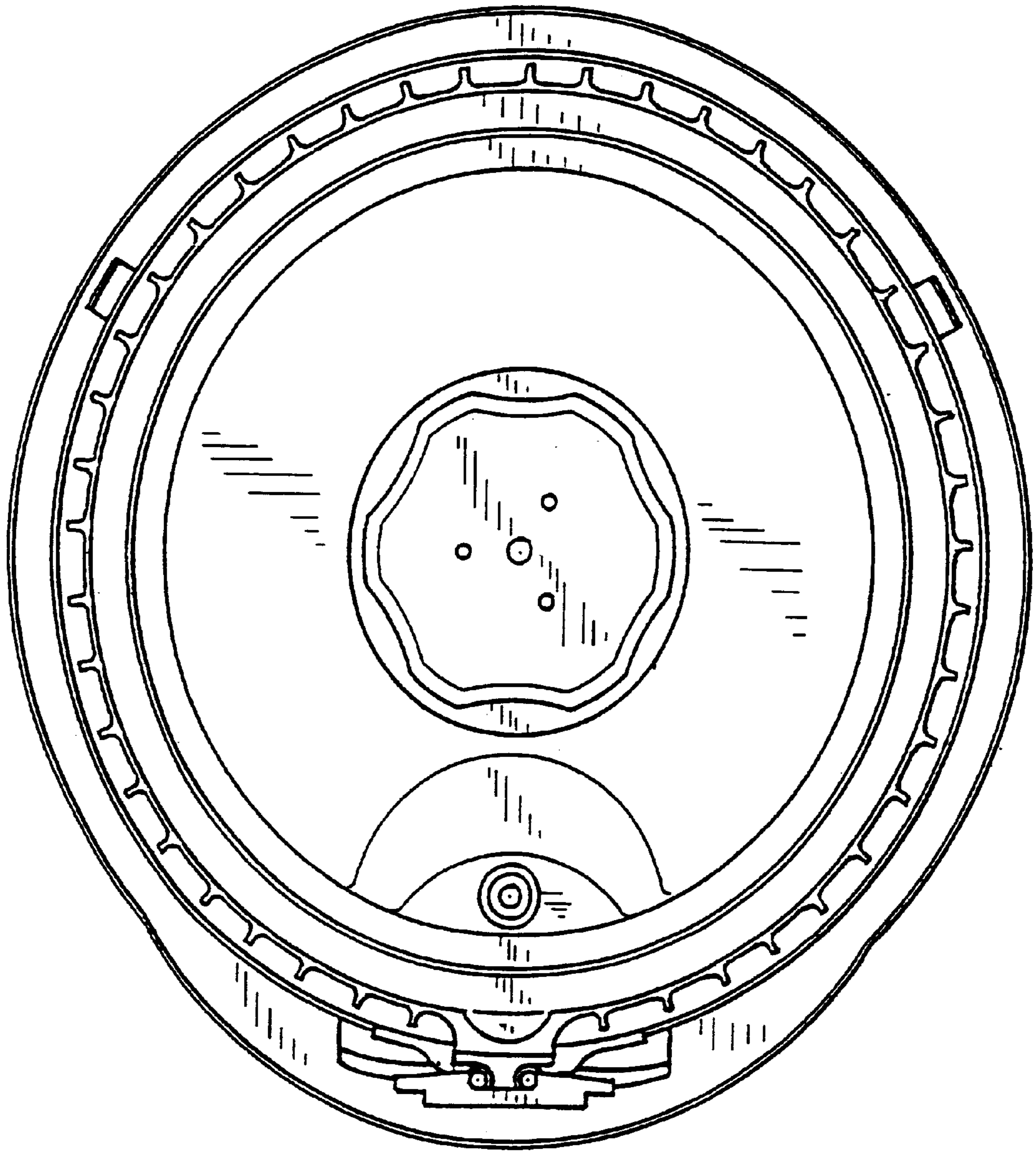


FIG. 3

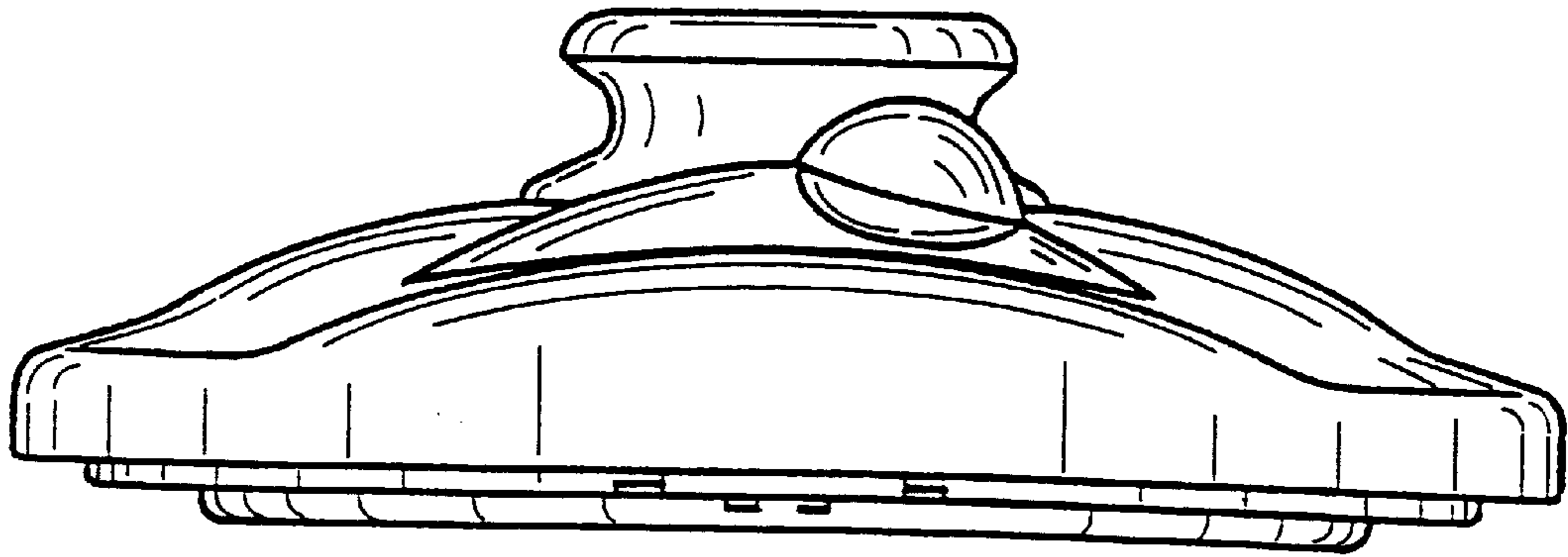


FIG. 4

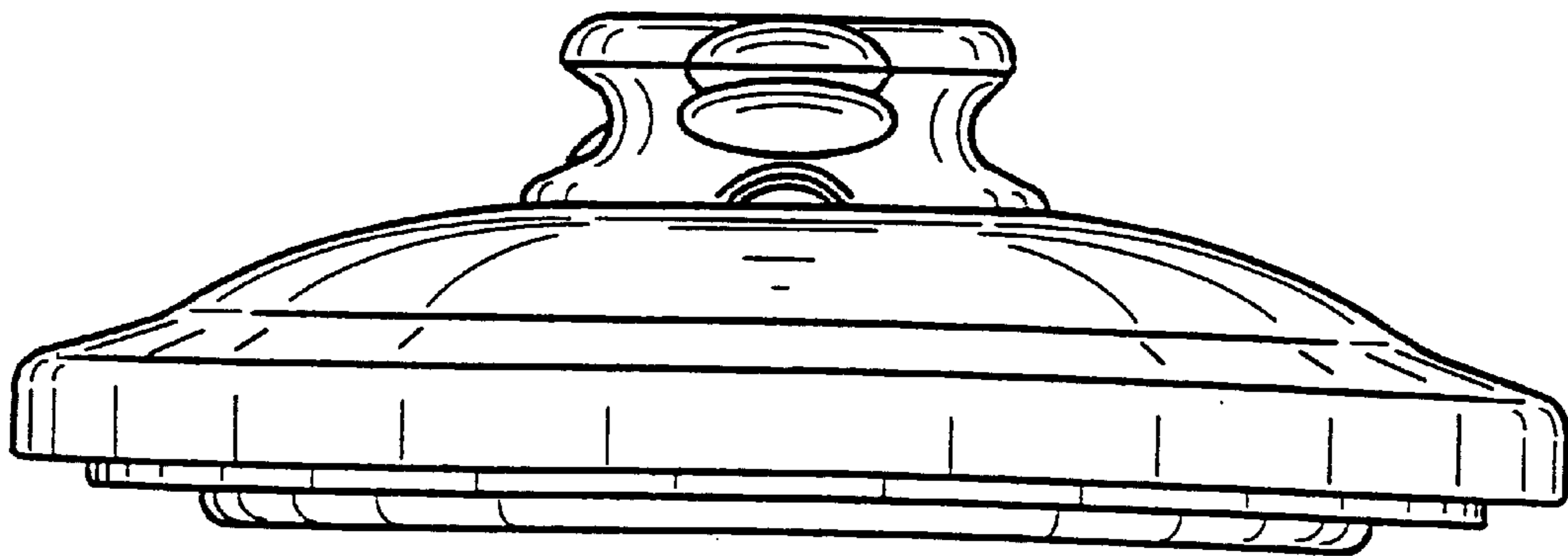


FIG. 5

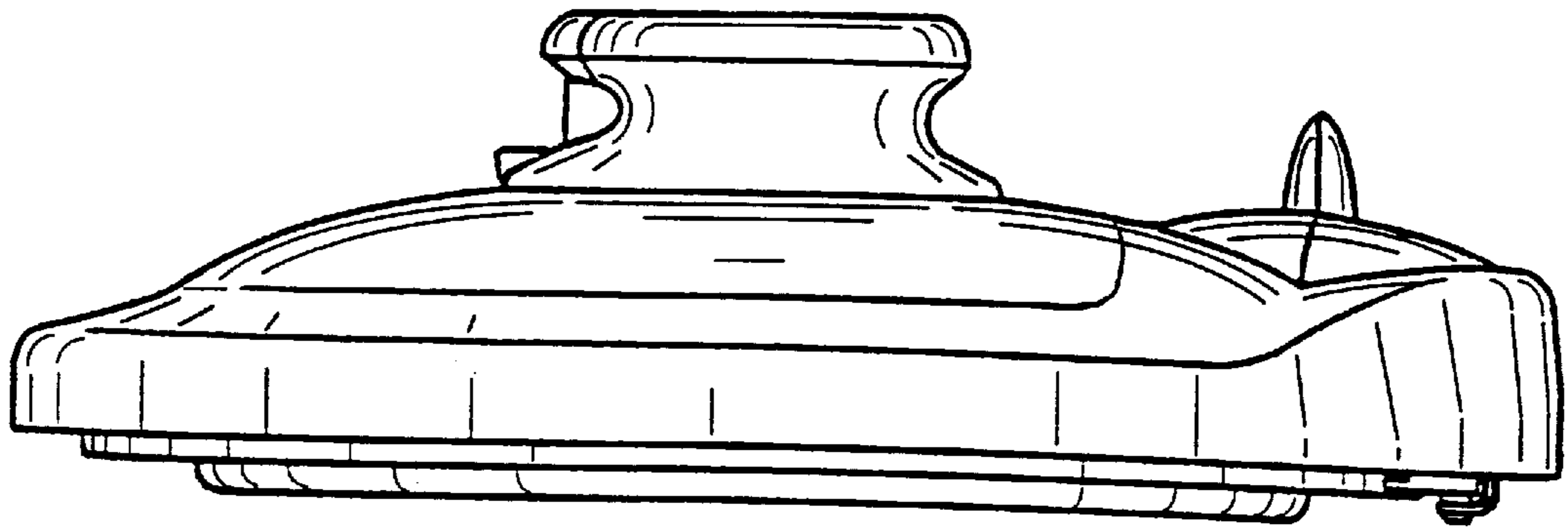


FIG. 6

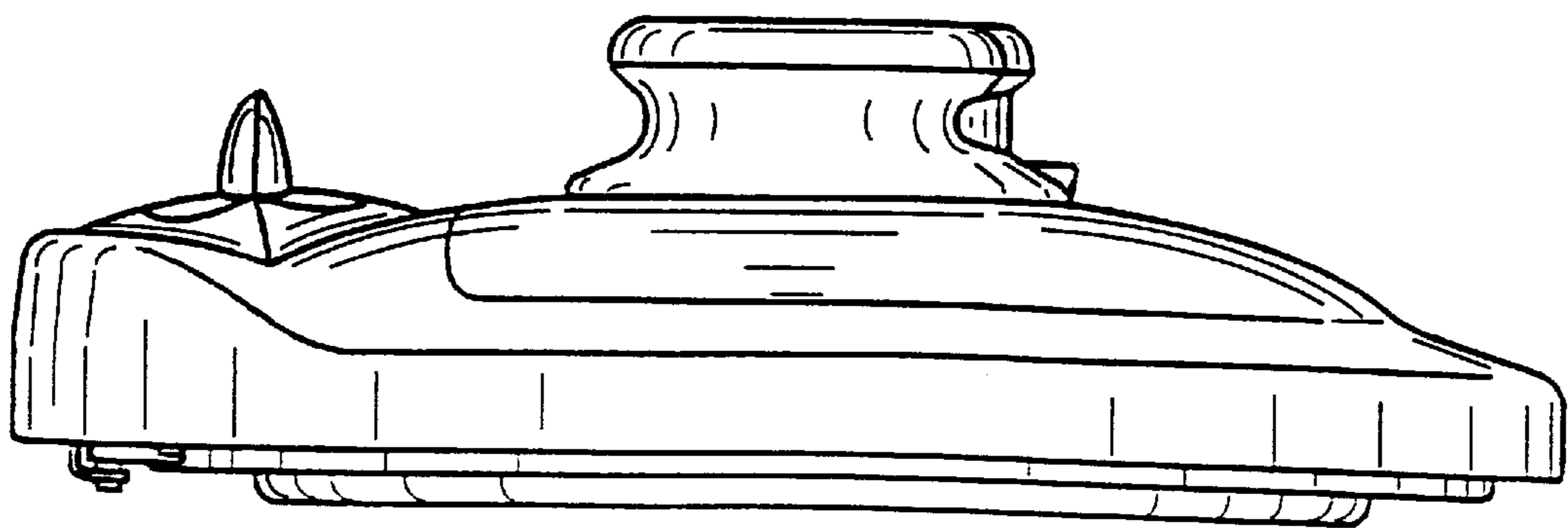


FIG. 7