



US00D447905B1

(12) **United States Design Patent** (10) **Patent No.:** **US D447,905 S**
Smith-Berry et al. (45) **Date of Patent:** **** Sep. 18, 2001**

(54) **TOASTER OVEN**

(75) Inventors: **Holly Smith-Berry**, Millersburg, MI (US); **Marc Drucker**, Brighton; **Rafael Yepez**, Jamaica Plain, both of MA (US)

(73) Assignee: **Salton, Inc.**, Mt. Prospect, IL (US)

(**) Term: **14 Years**

(21) Appl. No.: **29/119,984**

(22) Filed: **Mar. 10, 2000**

(51) **LOC (7) Cl.** **07-02**

(52) **U.S. Cl.** **D7/350**

(58) **Field of Search** D7/348, 351, 354, D7/402, 323, 360, 350.1, 350, 350.4; 126/273 R, 275 R, 275 E, 19 M, 19 R, 21 A; 219/678, 680, 756-758, 400; 99/421 H, 419, 427, 426

(56) **References Cited**

U.S. PATENT DOCUMENTS

D. 336,814	*	6/1993	Brookshire	D7/350
D. 380,643	*	7/1997	Piret	D7/350
D. 381,861	*	8/1997	Rorke et al.	D7/350
D. 386,938	*	12/1997	Piret	D7/350
D. 403,201	*	12/1998	Cruz et al.	D7/350
D. 412,637	*	8/1999	Piret	D7/350
D. 415,926	*	11/1999	De'Longhi	D7/350
D. 420,245	*	2/2000	De'Longhi	D7/351

OTHER PUBLICATIONS

- “Toastmaster, The Recipe For Success”, Applicances 1994, TM 8-3, 1994, p. 8, Product No. 300.
- “Toastmaster, The Recipe For Success”, Applicances 1994, TM 8-3, 1994, p. 8, Product No. 301.
- “Toastmaster, The Recipe For Success”, Applicances 1994, p. 9, TM 8-3, 1994, Product No. 391.
- “Toastmaster, The Recipe For Success”, Applicances 1994, TM 8-3, 1994, p. 9, Product No. 392.
- “Toastmaster, The Recipe For Recipe For Success”, Applicances 1994, TM 8-3, 1994, p. 10, Product No. 342X.

- “Toastmaster, The Recipe For Success”, Applicances 1994, TM 8-3, 1994, p. 10, Product No. 344X.
- “Toastmaster, The Recipe For Success”, Applicances 1994, TM 8-3, 1994, p. 11, Product No. 396.
- “Toastmaster, The Recipe For Success”, Applicances 1994, TM 8-3, 1994, p. 11, Product No. 5268.
- “Toastmaster, The Recipe For Success”, Applicances 1994, TM 8-3, 1994, p. 11, Product No. 7010.
- “Toastmaster, The Recipe For Success”, Applicances 1994, TM 8-3, 1994, p. 12, Product No. 7091.
- “Toastmaster, The Recipe For Success”, Applicances 1994, TM 8-3, 1994, p. 12, Product No. 7094.

(List continued on next page.)

Primary Examiner—Ruth McInroy

(74) *Attorney, Agent, or Firm*—Seed Intellectual Property Law Group PLLC

(57) **CLAIM**

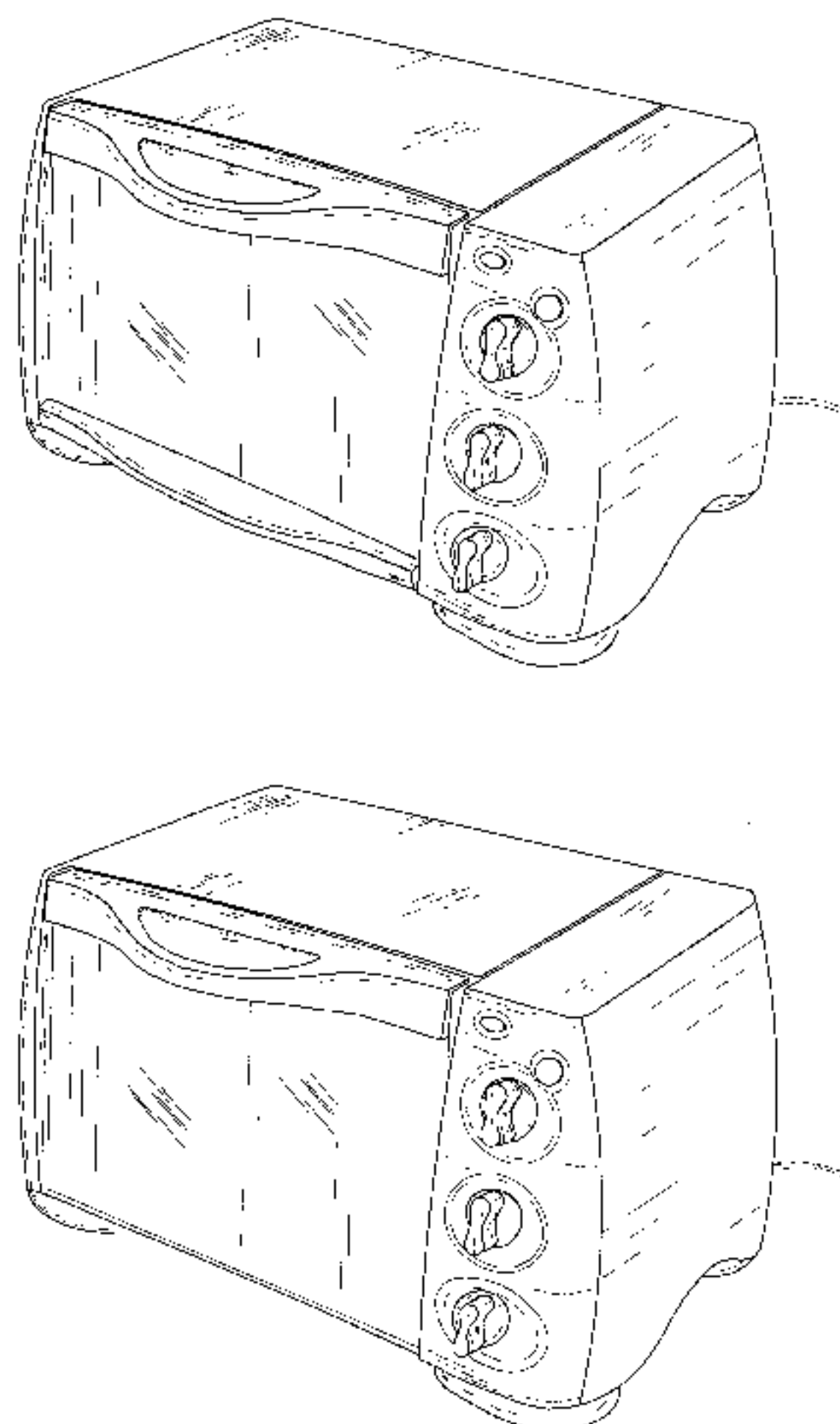
The ornamental design for a toaster oven, as shown and described.

DESCRIPTION

- FIG. 1 is a front isometric view of a toaster oven showing our new design;
- FIG. 2 is a front elevational view thereof;
- FIG. 3 is a rear elevational view thereof;
- FIG. 4 is a top plan view thereof;
- FIG. 5 is a bottom plan view thereof;
- FIG. 6 is a right side elevational view thereof;
- FIG. 7 is a left side elevational view thereof;
- FIG. 8 is a front isometric view of a second embodiment thereof;
- FIG. 9 is a front elevational view of FIG. 8;
- FIG. 10 is a rear elevational view of FIG. 8;
- FIG. 11 is a top plan view of FIG. 8;
- FIG. 12 is a bottom plan view of FIG. 8;
- FIG. 13 is a right side elevational view of FIG. 8; and,
- FIG. 14 is a left side elevational view of FIG. 8.

The electric cord shown in broken lines is for illustrative purposes only and forms no part of the claimed design.

1 Claim, 8 Drawing Sheets



OTHER PUBLICATIONS

- “Toastmaster, The Mark of a Winner”, 1996 Applicances Catalog, TM28-3-96, p. 11, Product No. 306.
- “Toastmaster, The Mark of a Winner”, 1996 Applicances Catalog, TM28-3-96, p. 11, Product No. 305.
- “Toastmaster, The Mark of a Winner”, 1996 Applicances Catalog, TM28-3-96, p. 11, Product No. 5268X.
- “Toastmaster, The name good cooks trust”, 1984-1985, TM36-10-83, p. 11, Product No. 365.
- “Toastmaster, The name good cooks trust”, 1984-1985, TM36-10-83, Product No. 360.
- “Toastmaster, The name good cooks trust”, 1984-1985, TM36-10-83, Product No. 340.
- “Toastmaster, The name good cooks trust”, 1984-1985, TM36-10-83, Product No. 335.
- “Toastmaster, The name good cooks trust”, 1984-1985, TM36-10-83, Product No. 330.
- “Toastmaster, The name good cooks trust”, 1984-1985, TM36-10-83, Product No. 321.
- “Toastmaster, The name good cooks trust”, 1984-1985, TM36-10-83, Product No. 5266.
- “Toastmaster, The name good cooks trust”, 1984-1985, TM36-10-83, Product No. 7009.
- “Toastmaster, The name good cooks trust”, 1984-1985, TM36-10-83, Product No. 5230.
- “Toastmaster, The name good cooks trust”, 1984-1985, TM36-10-83, Product No. 7065.
- “Toastmaster, The name good cooks trust”, 1984-1985, TM36-Oct. 1983, Product No. 7061.
- “Toastmaster, The name good cooks trust”, 1984-1985, TM36-Oct. 1983, Product No. 999032.
- “Toastmaster, Platinum appliance catalog”, Product No. 396S.
- “Toastmaster, Platinum appliance catalog”, Product No. 303S.
- “Toastmaster, Platinum appliance catalog”, Product No. 393S.
- “Toastmaster, Platinum appliance catalog”, Product No. 347X.
- Loose Floyer, Product No. 369.
- “Toastmaster, Counter Top, toastmaster bring it home”, TM 65-12/96, p. 3, Product No. 309.
- “Toastmaster, Counter Top, toastmaster bring it home”, TM 65-12/96, p. 3, Product No. 316.
- “Toastmaster, Counter Top, toastmaster brings it home”, TM 65-12-96, p. 4, Product No. 317.
- “Toastmaster, Counter Top, toastmaster brings it home”, TM 65-12-96, p. 6, Product No. 398.
- “Toastmaster, Platinum, toastmaster brings it home”, TM 80-3-97, p. 5, Product No. 397S.
- “Toastmaster, The name good cooks trust”, 1982-1983, TM12-82, p. 4, Product No. 7030.
- “Toastmaster, The name good cooks trust”, 1982-1983, TM 12-82, p. 4, Product No. 7050.
- “Toastmaster, The name good cooks trust”, 1982-1983, TM 12-82, p. 7, Product No. 5250.
- “Toastmaster, The name good cooks trust”, 1982-1983, TM 12-82, p. 7, Product No. 5242.
- “Toastmaster, The name good cooks trust”, 1982-1983, TM 12-82, p. 7, Product No. 5233.
- “Toastmaster, The name good cooks trust”, 1982-1983, TM 12-82, p. 7, Product No. 5230.
- “Toastmaster, The name good cooks trust”, 1982-1983, TM 12-82, p. 9, Product No. 320.
- Specification Brochure, Product No. 399.
- Specification Brochure, Product No. 7093.

* cited by examiner

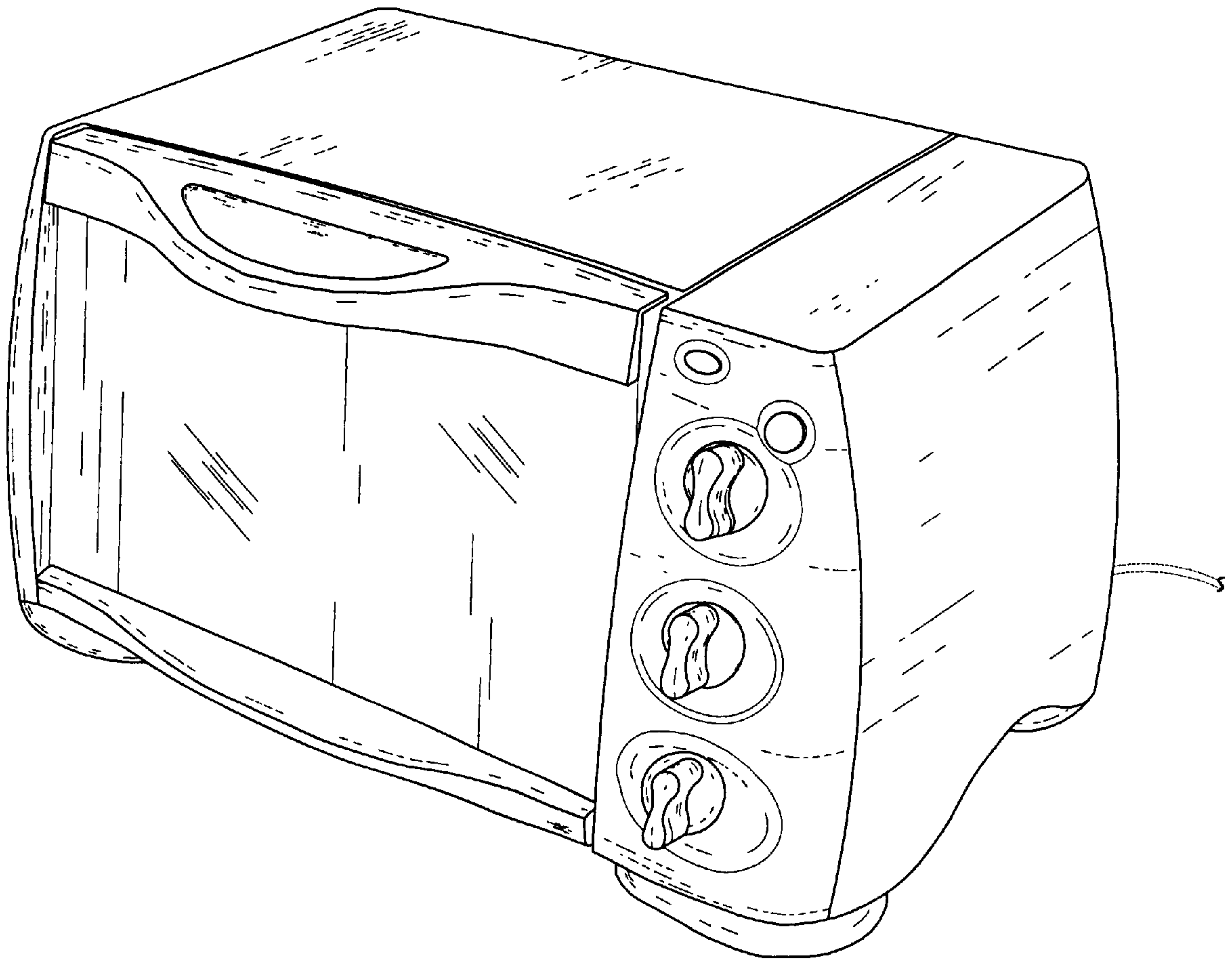


Fig. 1

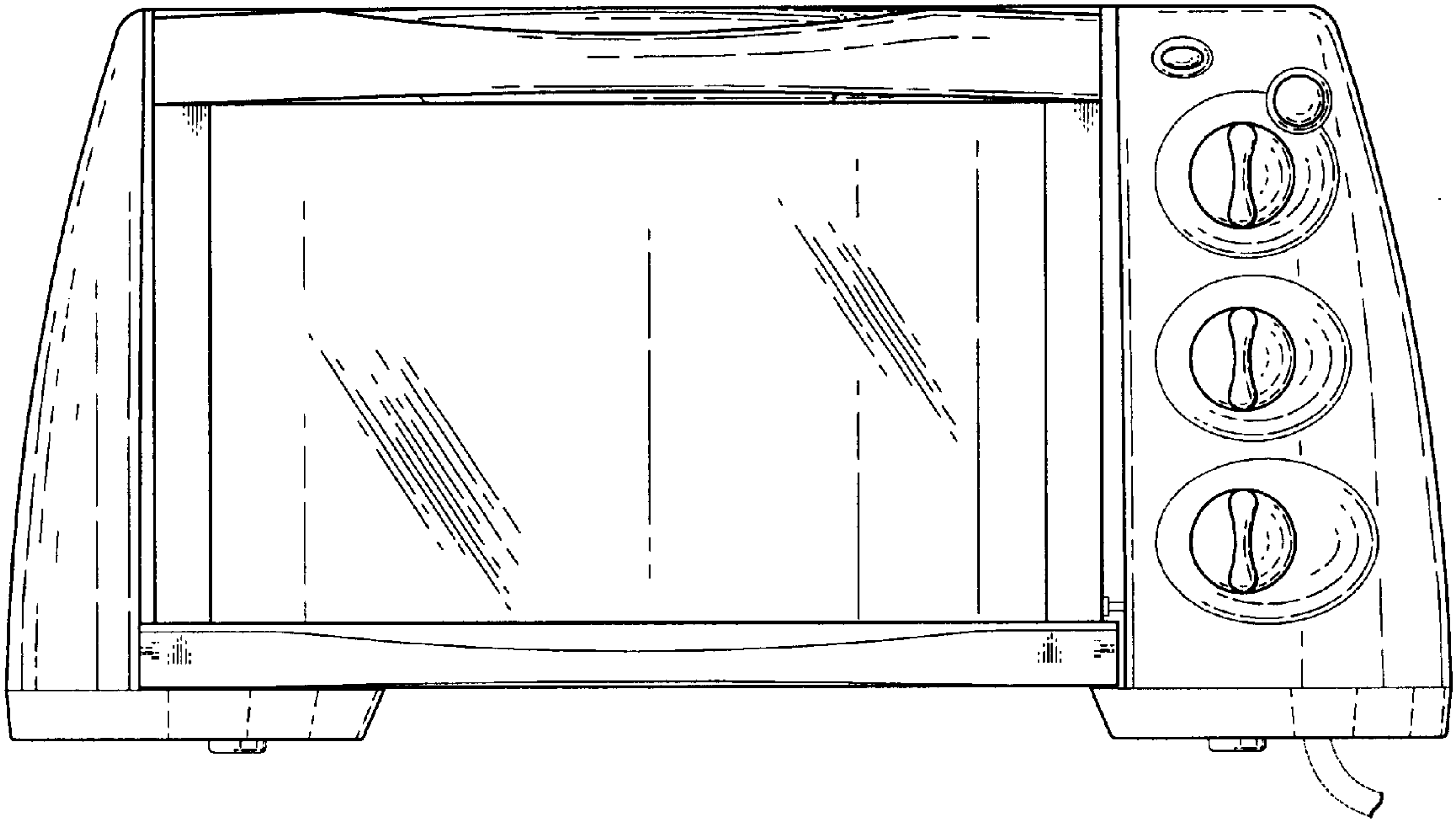


Fig. 2

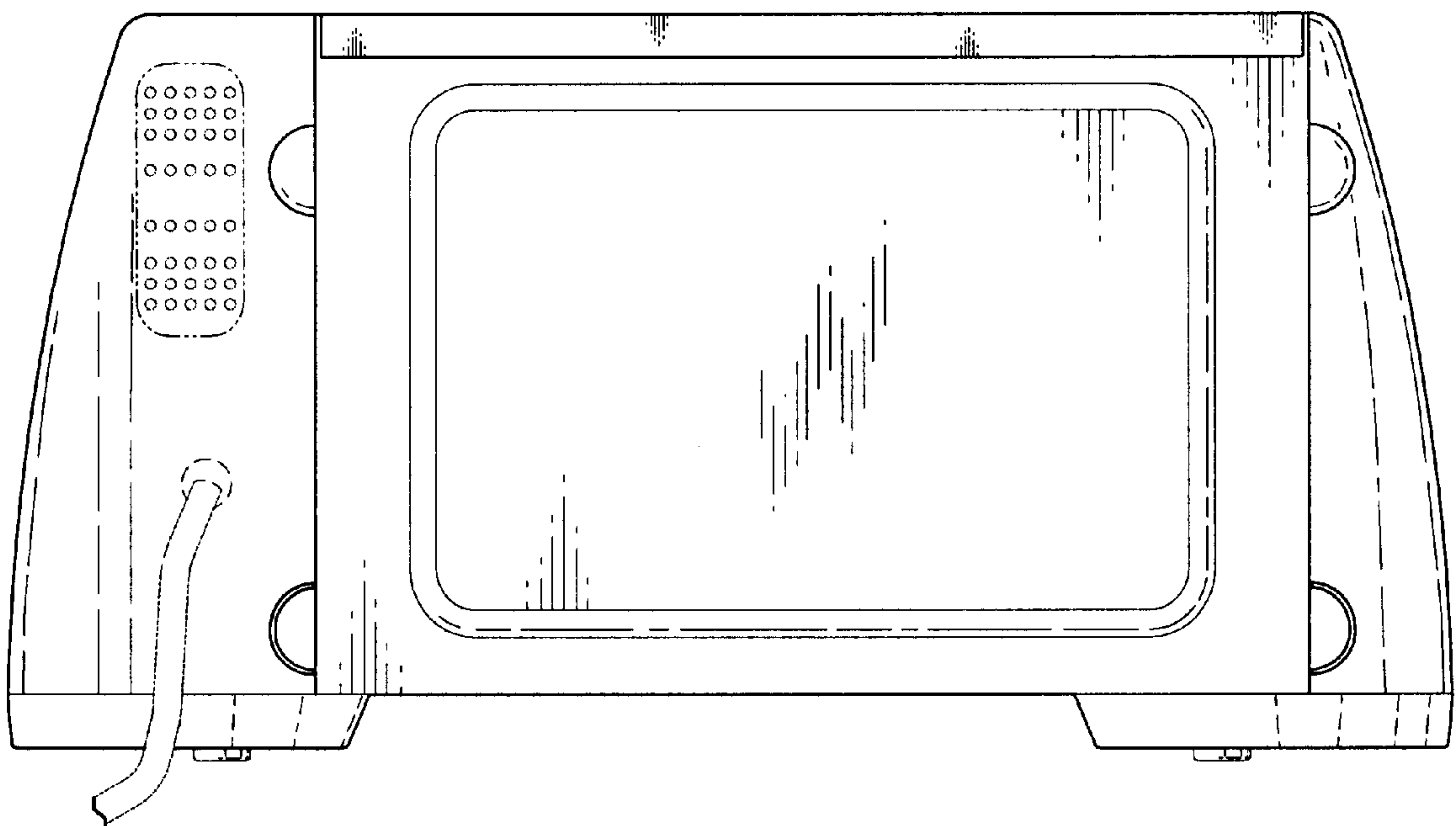


Fig. 3

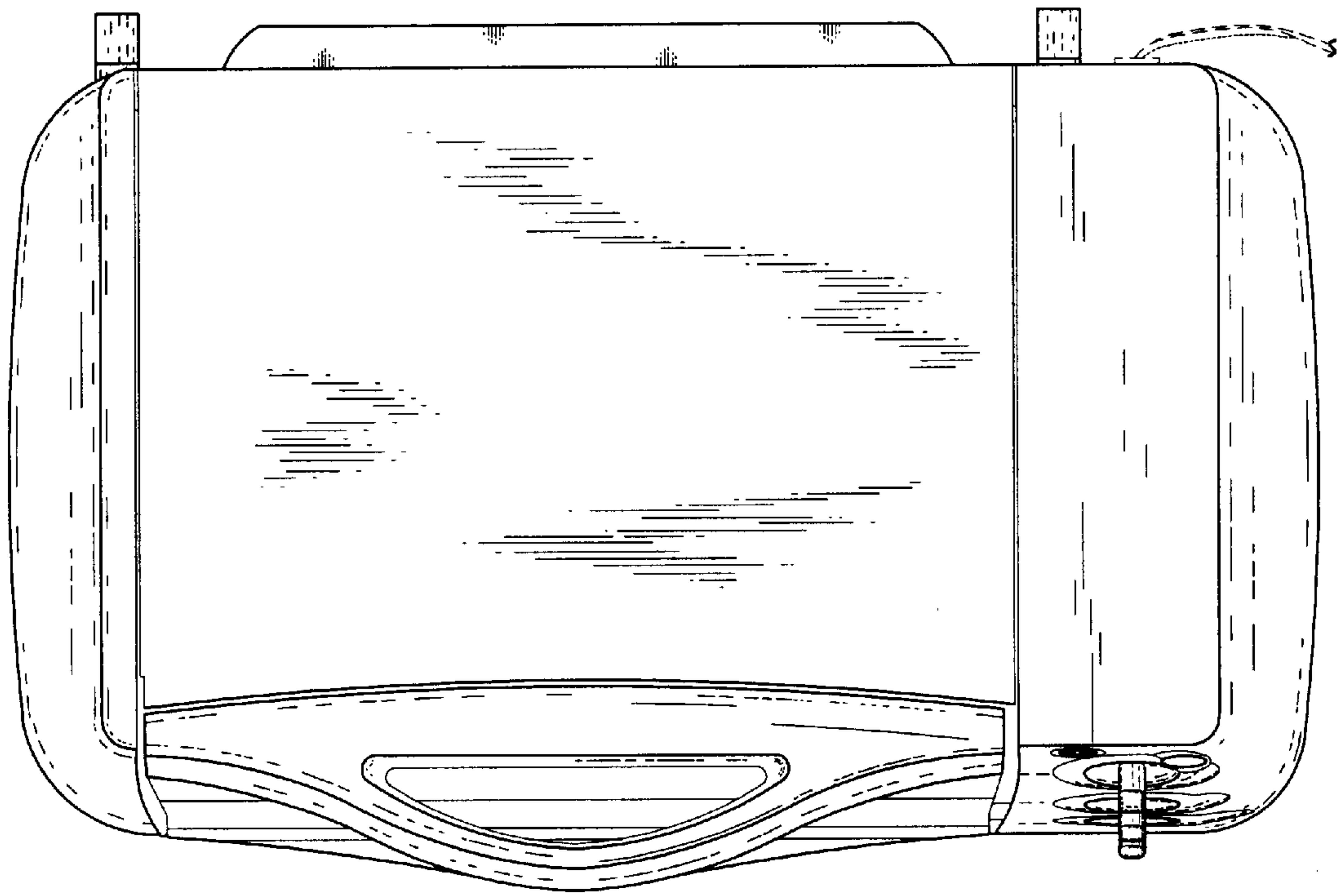


Fig. 4

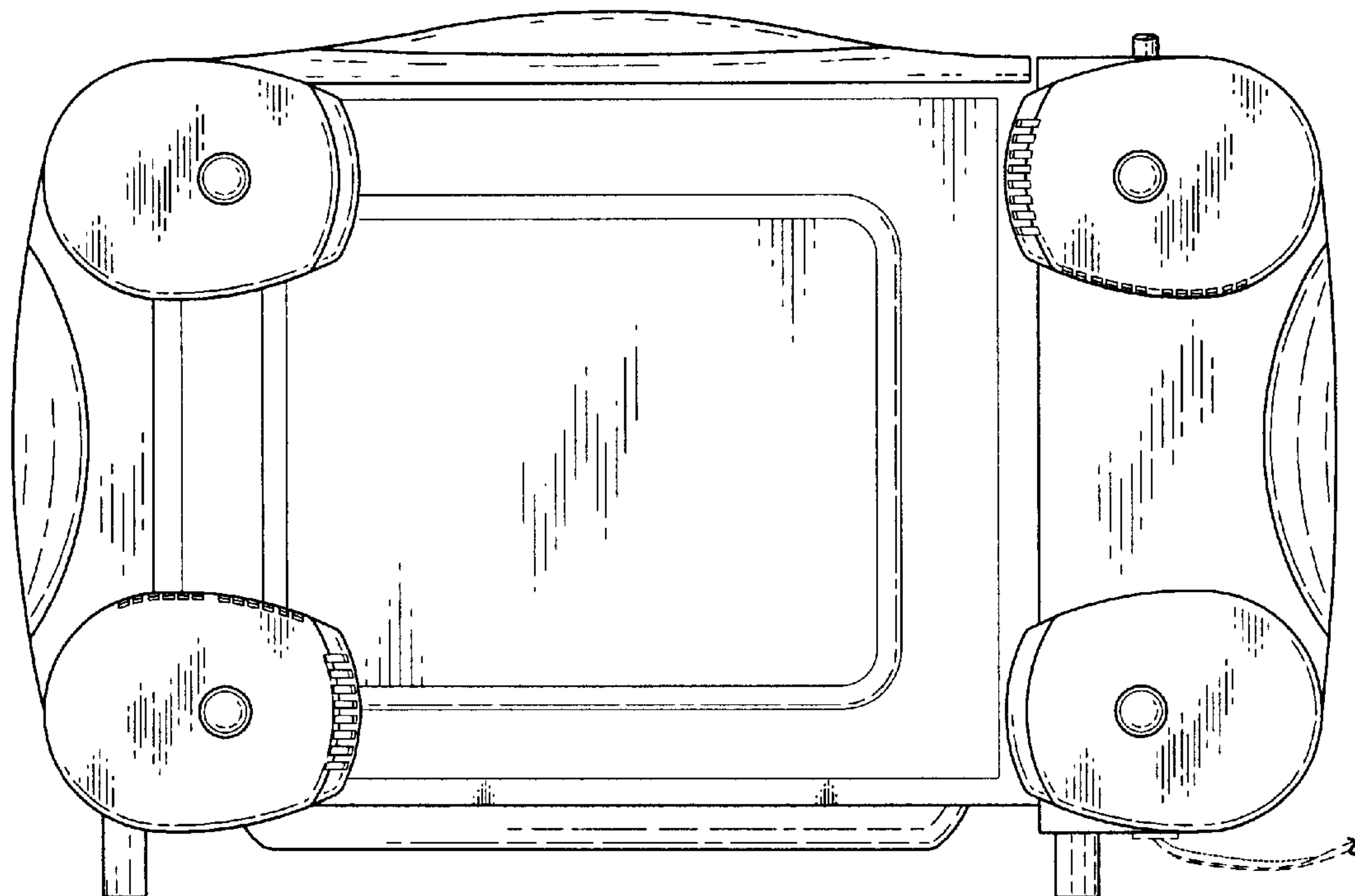


Fig. 5

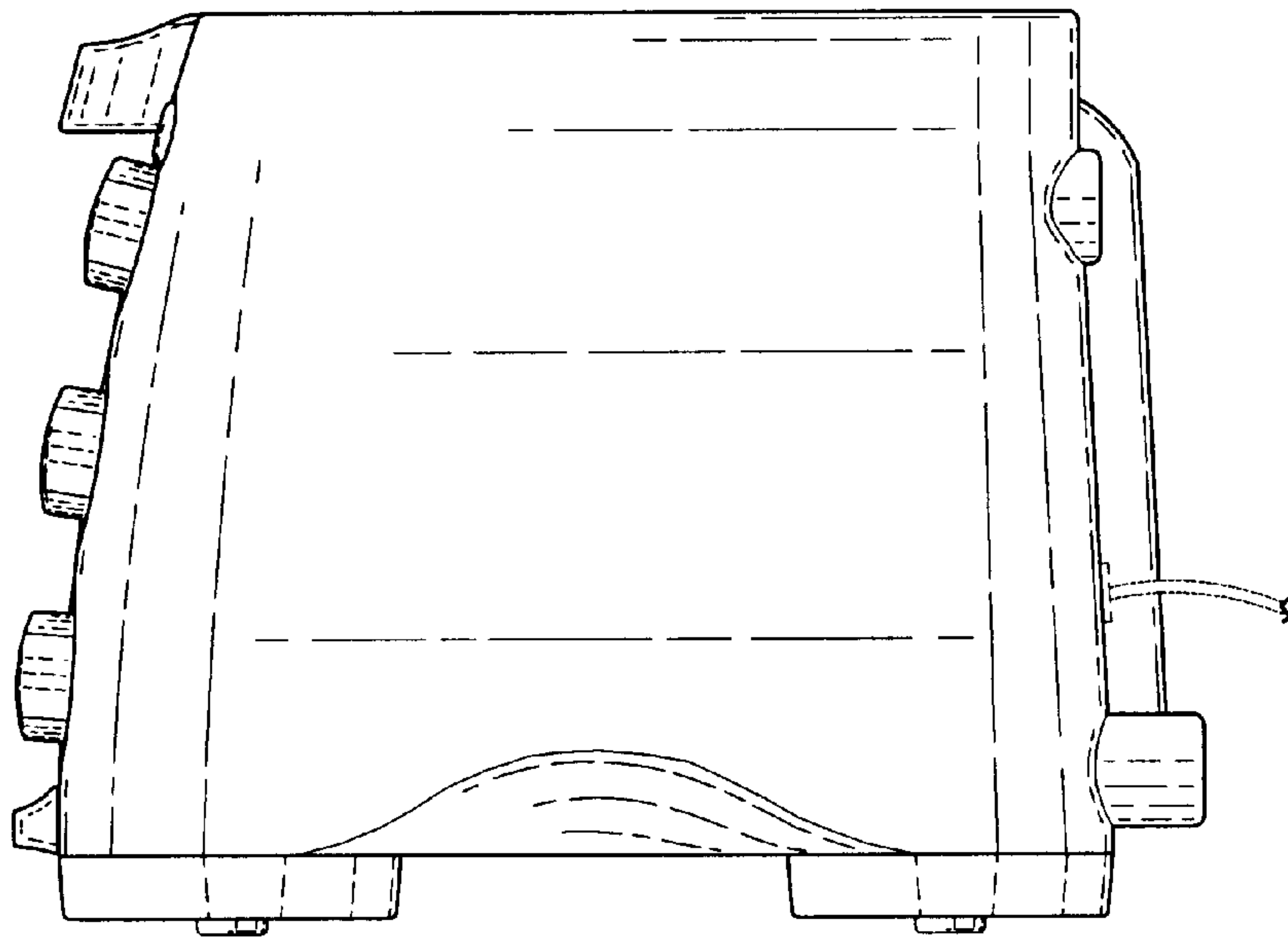


Fig. 6

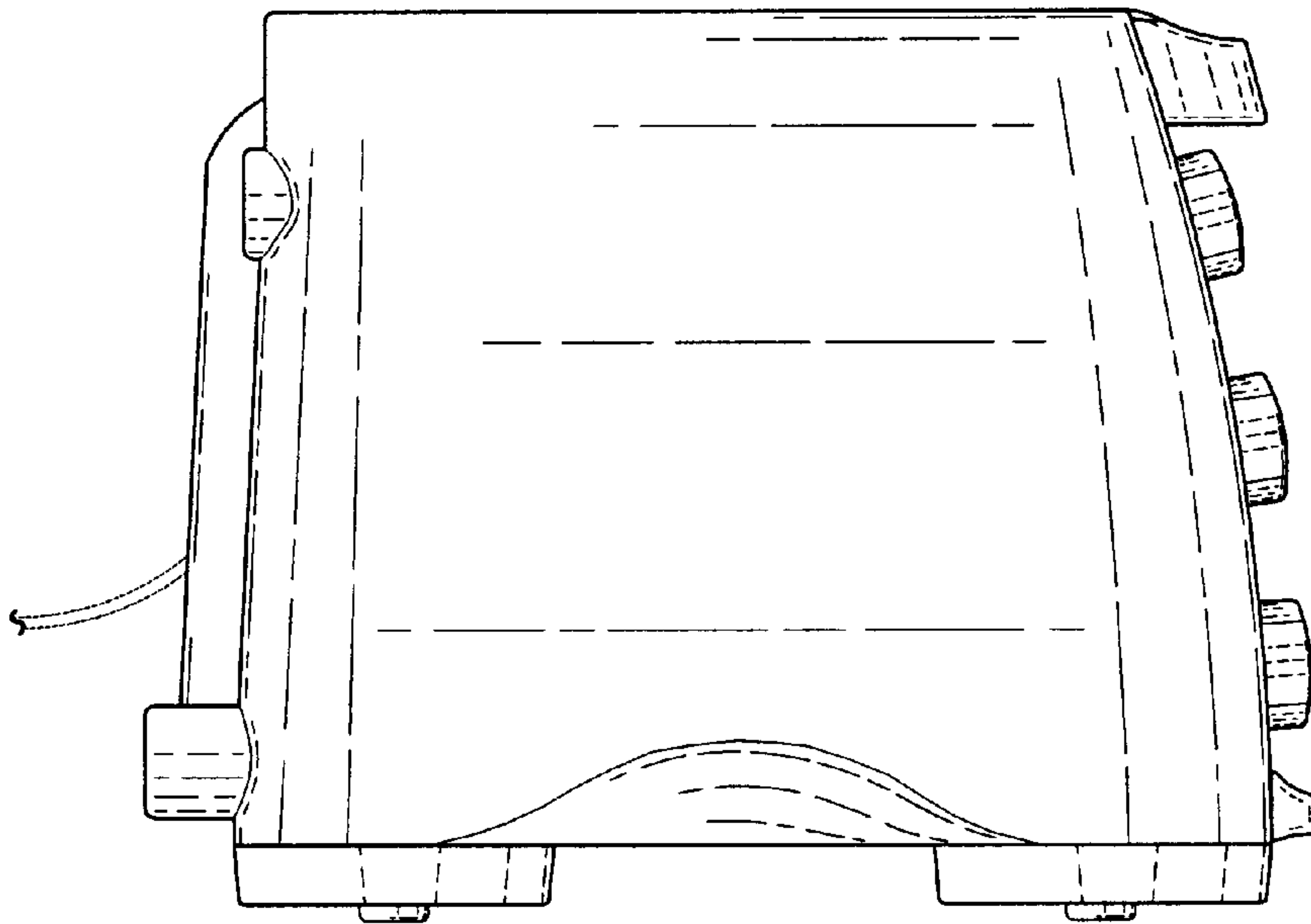


Fig. 7

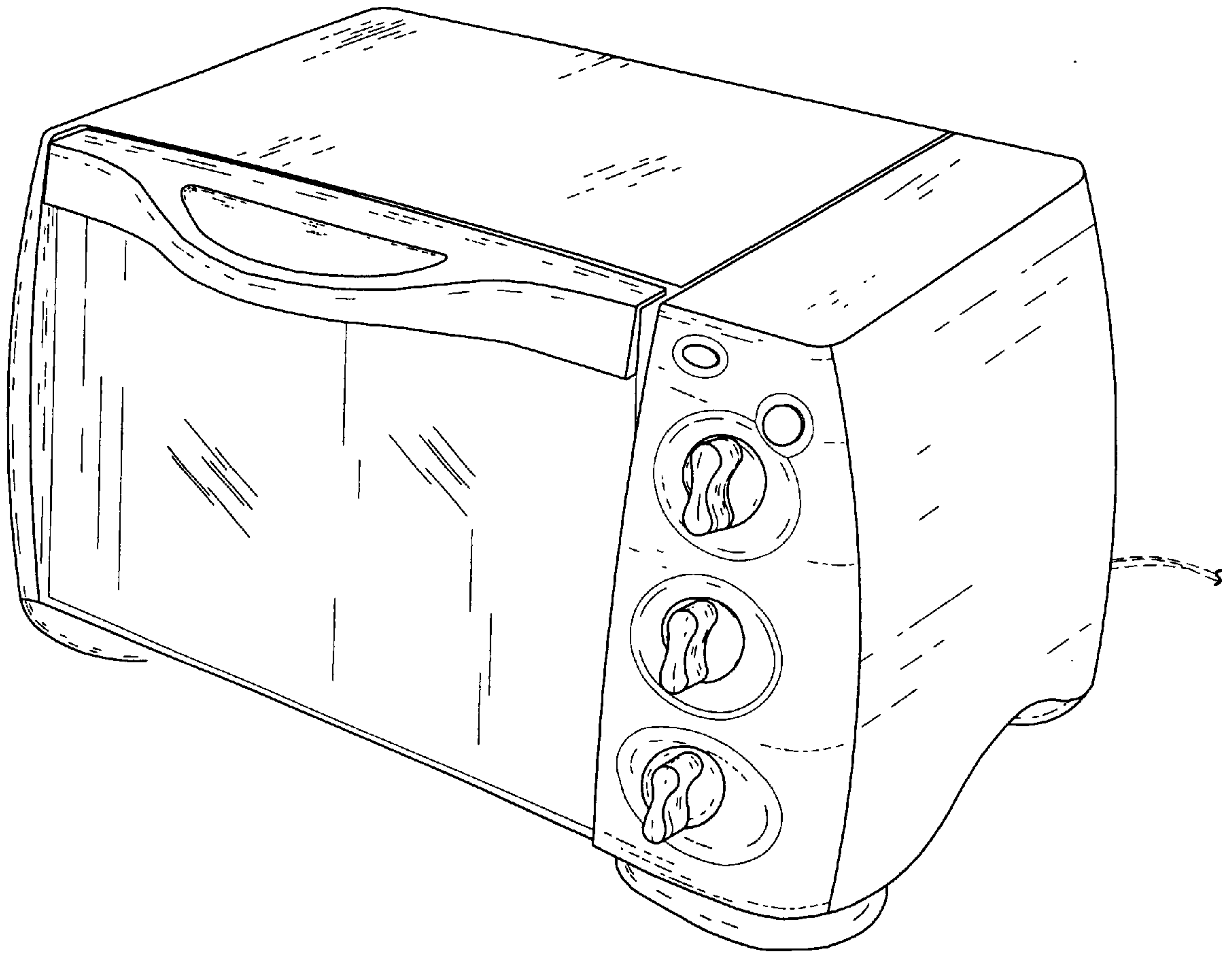


Fig. 8

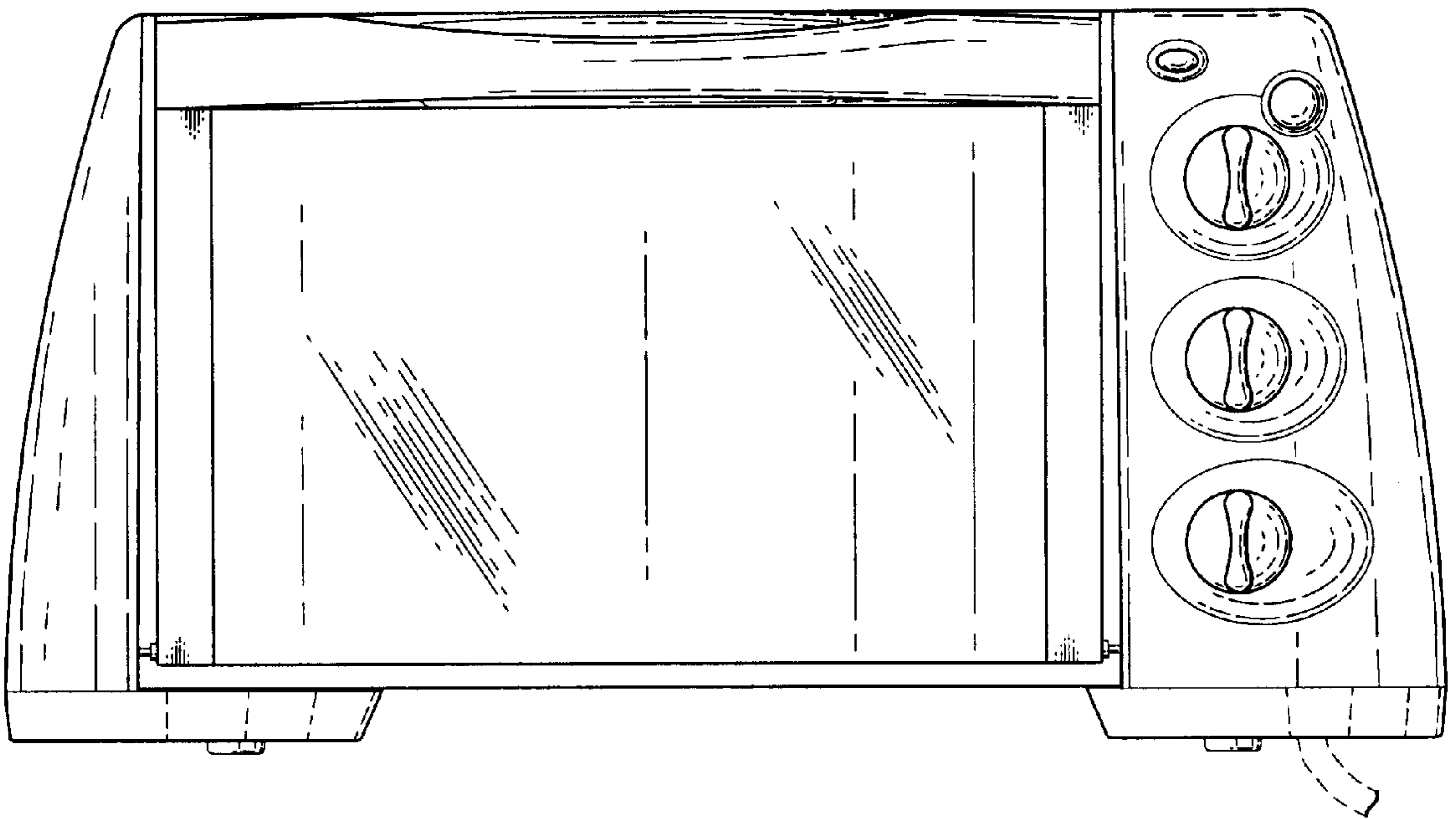


Fig. 9

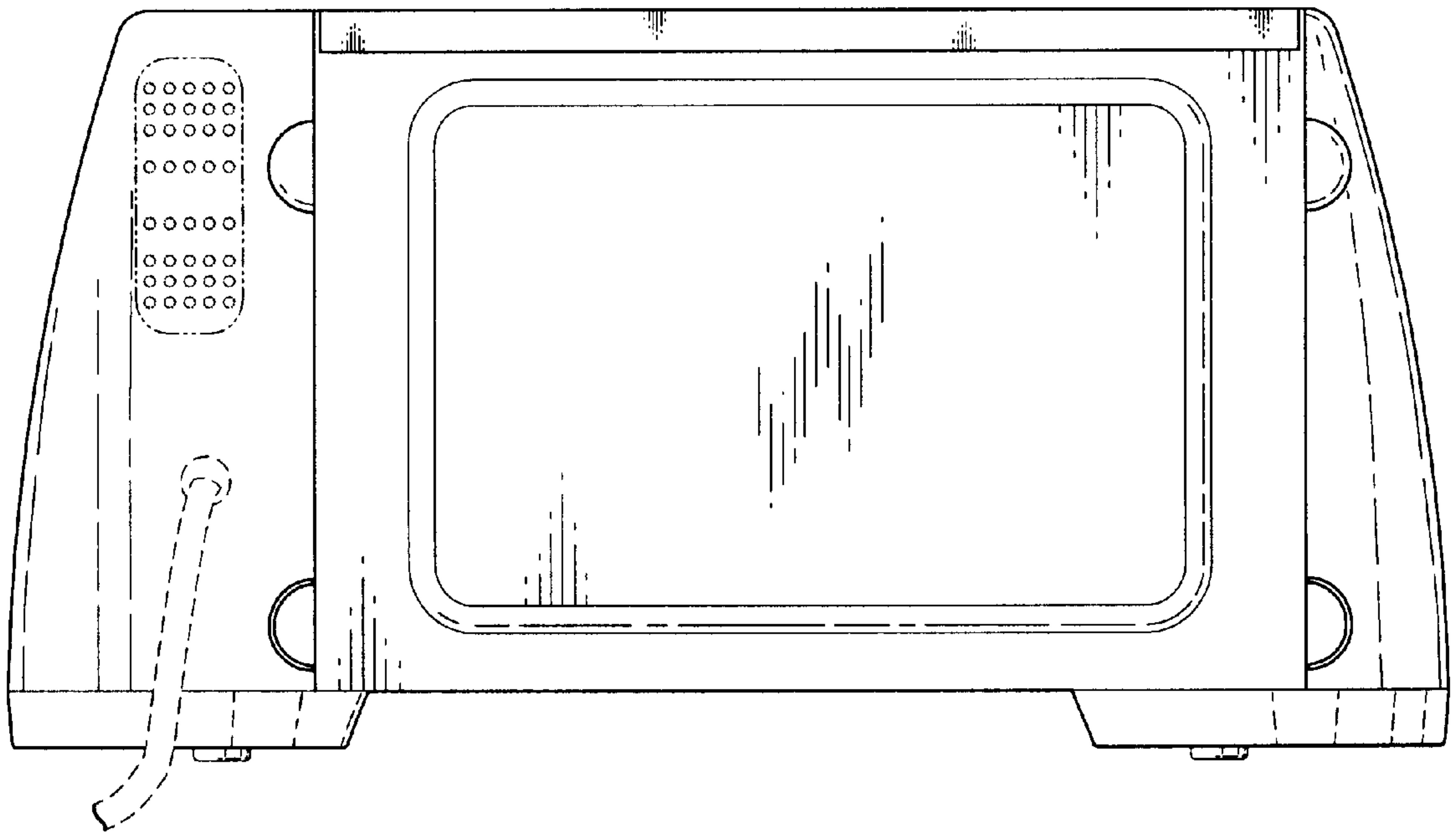


Fig. 10

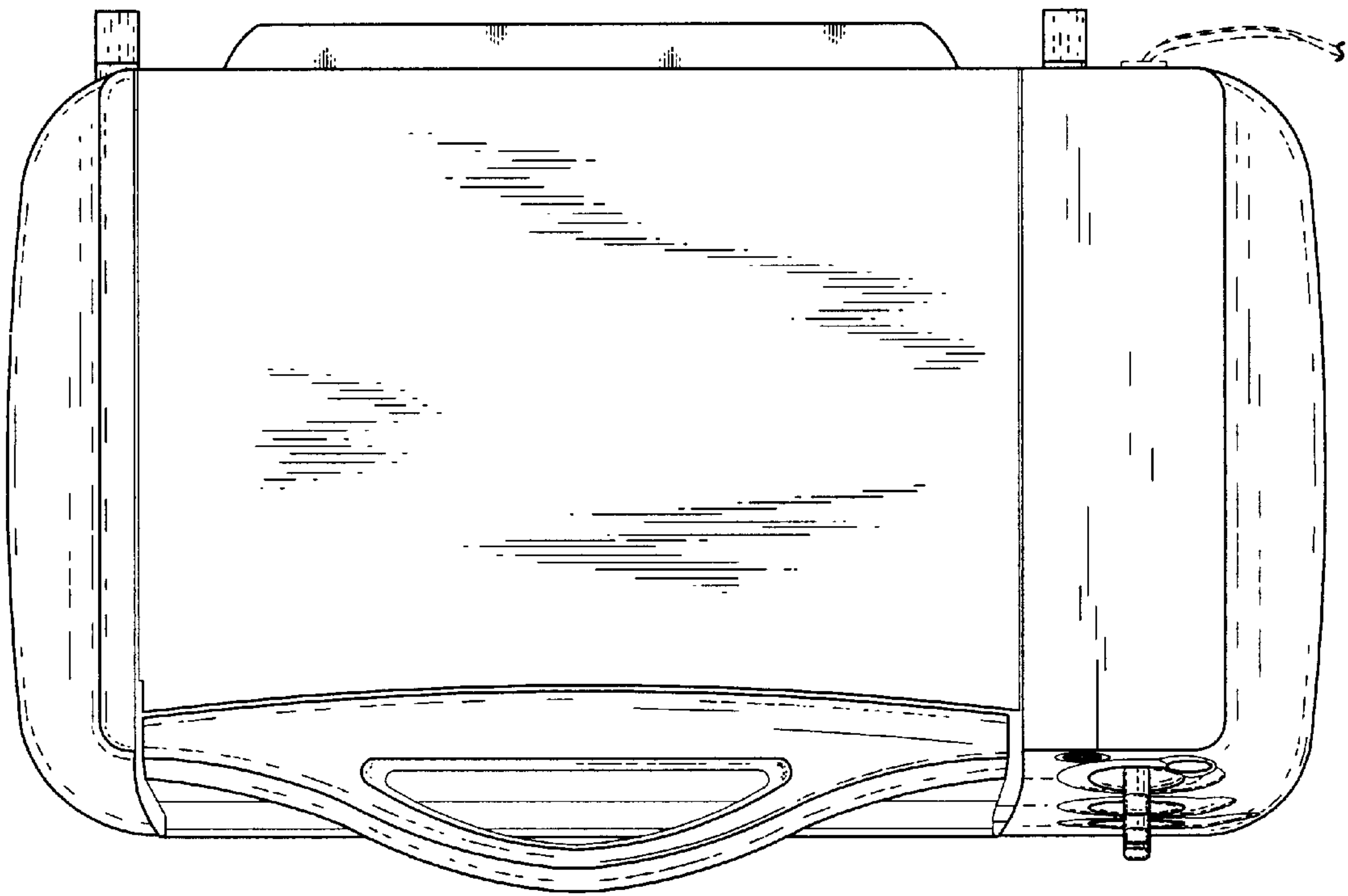


Fig. 11

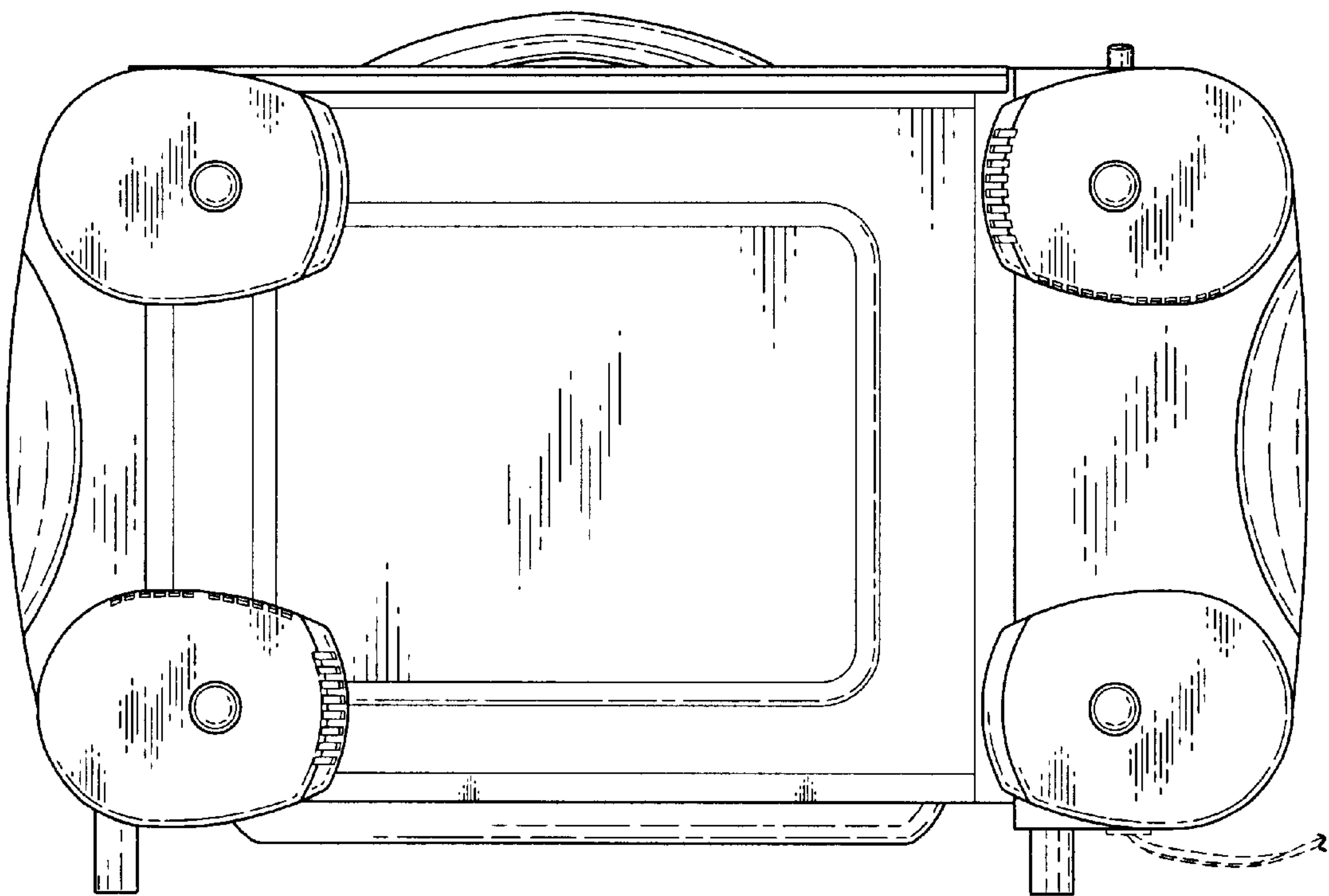


Fig. 12

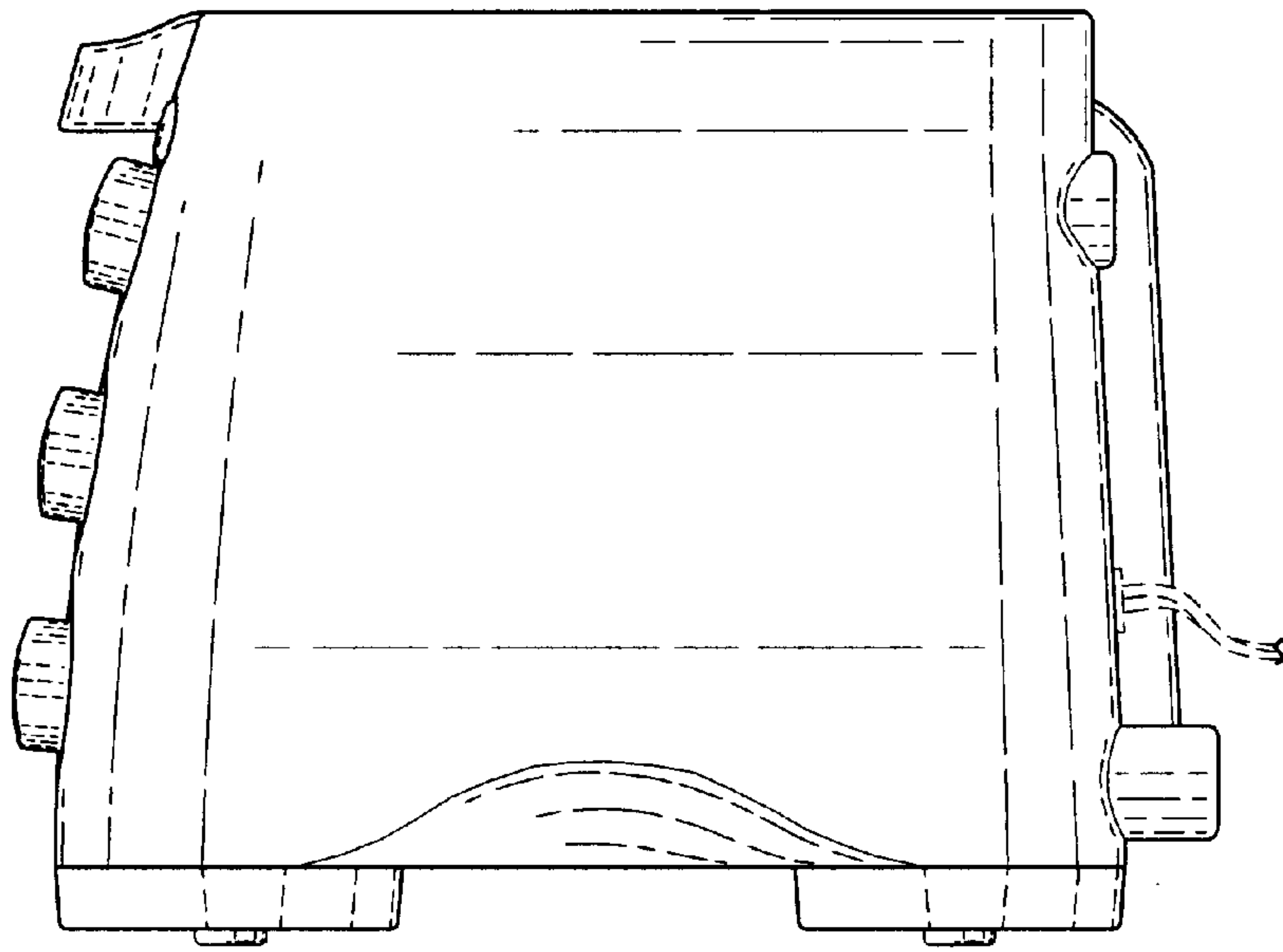


Fig. 13

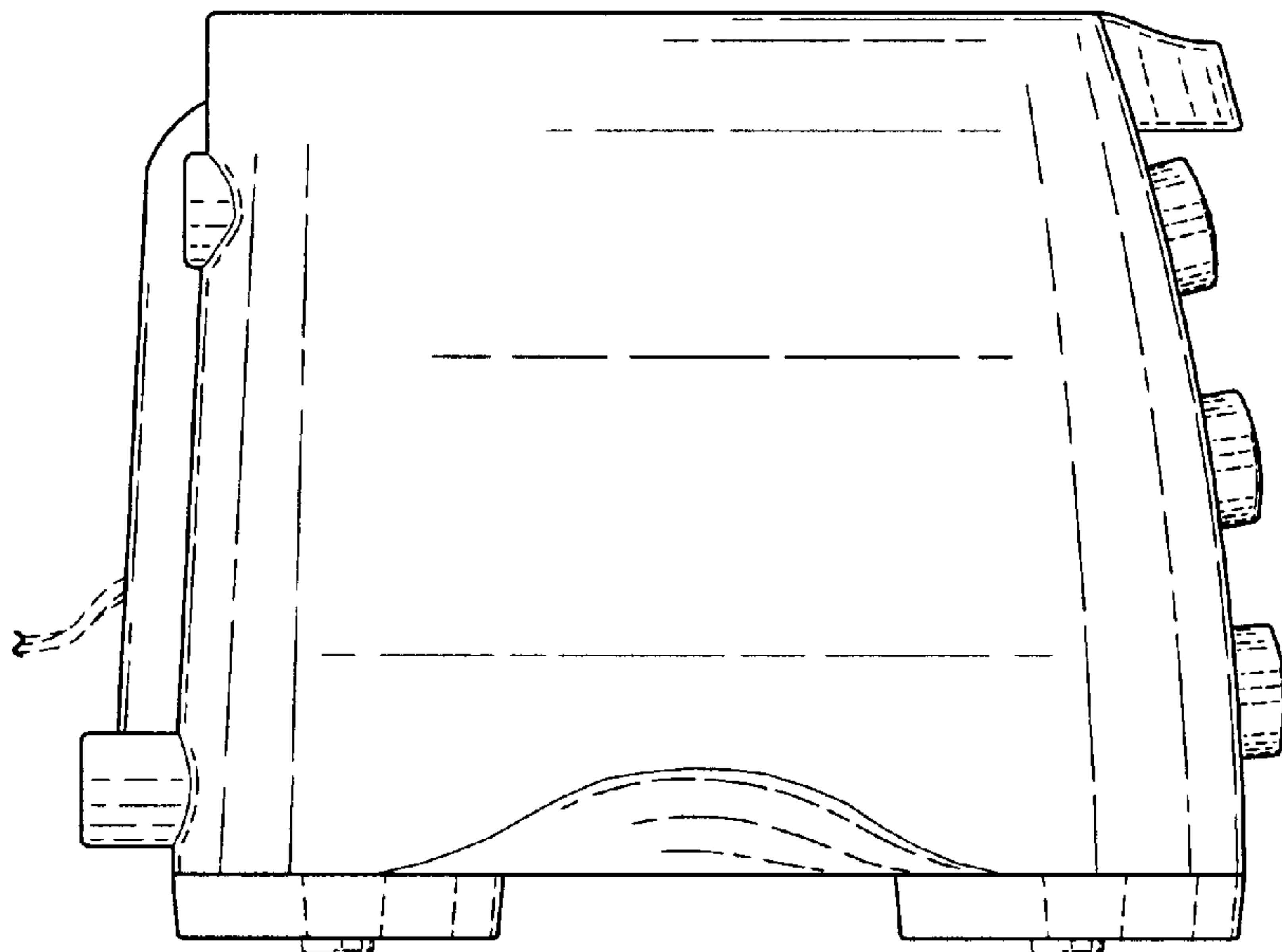


Fig. 14

UNITED STATES PATENT AND TRADEMARK OFFICE
CERTIFICATE OF CORRECTION

PATENT NO. : Des 447,905 S
DATED : September 18, 2001
INVENTOR(S) : Holly Smith-Berry et al.

Page 1 of 1

It is certified that error appears in the above-identified patent and that said Letters Patent is hereby corrected as shown below:

Title page,

Item [75], Inventors, "**Holly Smith-Berry**, Millersburg, MI (US);" should read
-- **Holly Smith-Berry**, Fulton, MO (US); --.

Signed and Sealed this

Twenty-eighth Day of May, 2002

Attest:



Attesting Officer

JAMES E. ROGAN
Director of the United States Patent and Trademark Office