



US00D447900B1

(12) **United States Design Patent**
Wright

(10) **Patent No.:** **US D447,900 S**

(45) **Date of Patent:** **** Sep. 18, 2001**

(54) **BATHTUB CADDY**

(75) Inventor: **Randy Wright**, Hayward Hills, CA
(US)

(73) Assignee: **Taymor Industries, Ltd.** (CA)

(**) Term: **14 Years**

(21) Appl. No.: **29/135,782**

(22) Filed: **Jan. 18, 2001**

Related U.S. Application Data

(62) Division of application No. 29/126,515, filed on Jul. 18, 2000.

(51) **LOC (7) Cl.** **23-02**

(52) **U.S. Cl.** **D6/525**

(58) **Field of Search** D6/524, 525, 566;
108/14, 28, 47, 137, 143; 211/13.1, 71,
74, 75, 86, 126.1, 126.9, 133.5, 181.1;
248/441.1

(56) **References Cited**

U.S. PATENT DOCUMENTS

D. 247,013 * 1/1978 Chapman D6/525
D. 250,439 * 12/1978 Holstein D6/525

D. 280,788 * 10/1985 Levin D6/525 X
D. 417,809 * 12/1999 Hofman D6/525
D. 417,990 * 12/1999 Yemini D6/525
1,002,147 * 8/1911 Harris 248/441.1 X
3,239,850 * 3/1966 Kiss D6/525 X
4,053,954 * 10/1977 Chapman D6/525 X
4,939,799 * 7/1990 Hovel D6/525 X

* cited by examiner

Primary Examiner—Brian N. Vinson

(74) *Attorney, Agent, or Firm*—Pendorf & Cutliff

(57) **CLAIM**

The ornamental design for a bathtub caddy, as shown and described.

DESCRIPTION

FIG. 1 is an elevated perspective of an embodiment of the invention, wherein the bathtub caddy with mirror and candle holder in accordance with the inventive design is fitted with attachments;

FIG. 2 is a top view of the bathtub caddy;

FIG. 3 is a bottom view of the bathtub caddy;

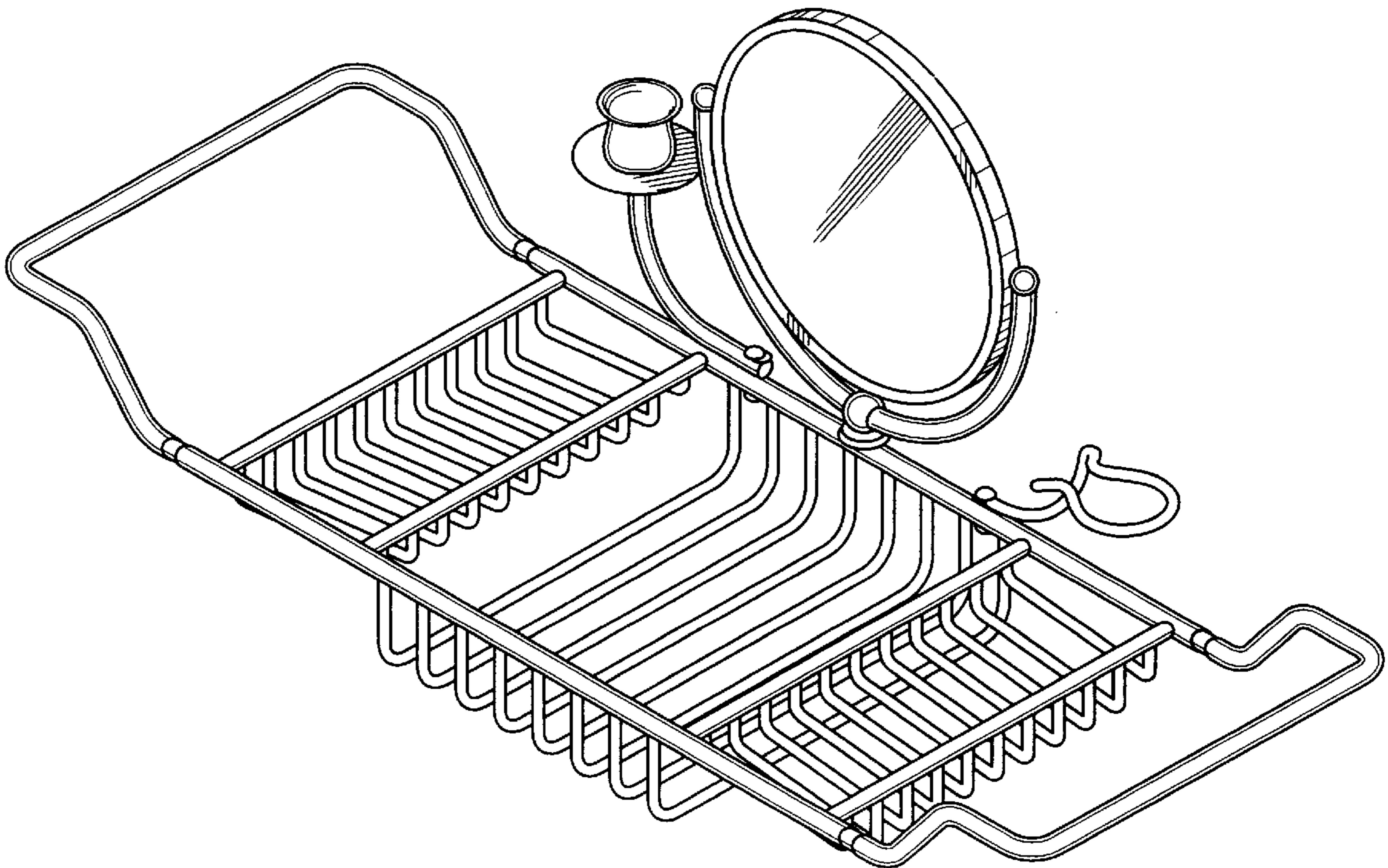
FIG. 4 is a front view of the bathtub caddy;

FIG. 5 is a back view of the bathtub caddy;

FIG. 6 is a left sided view of the bathtub caddy; and,

FIG. 7 is a right sided view of the bathtub caddy.

1 Claim, 3 Drawing Sheets



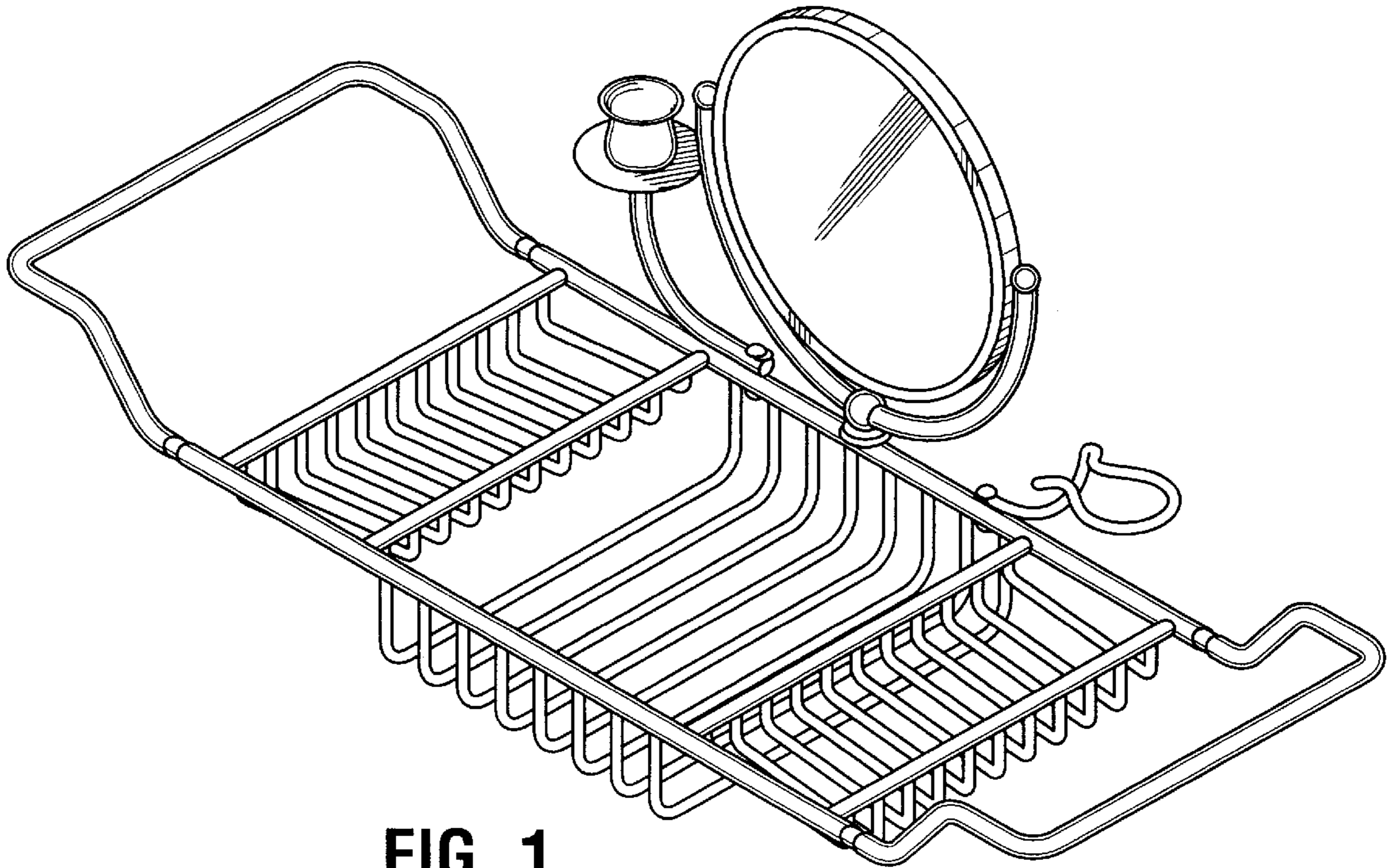


FIG. 1

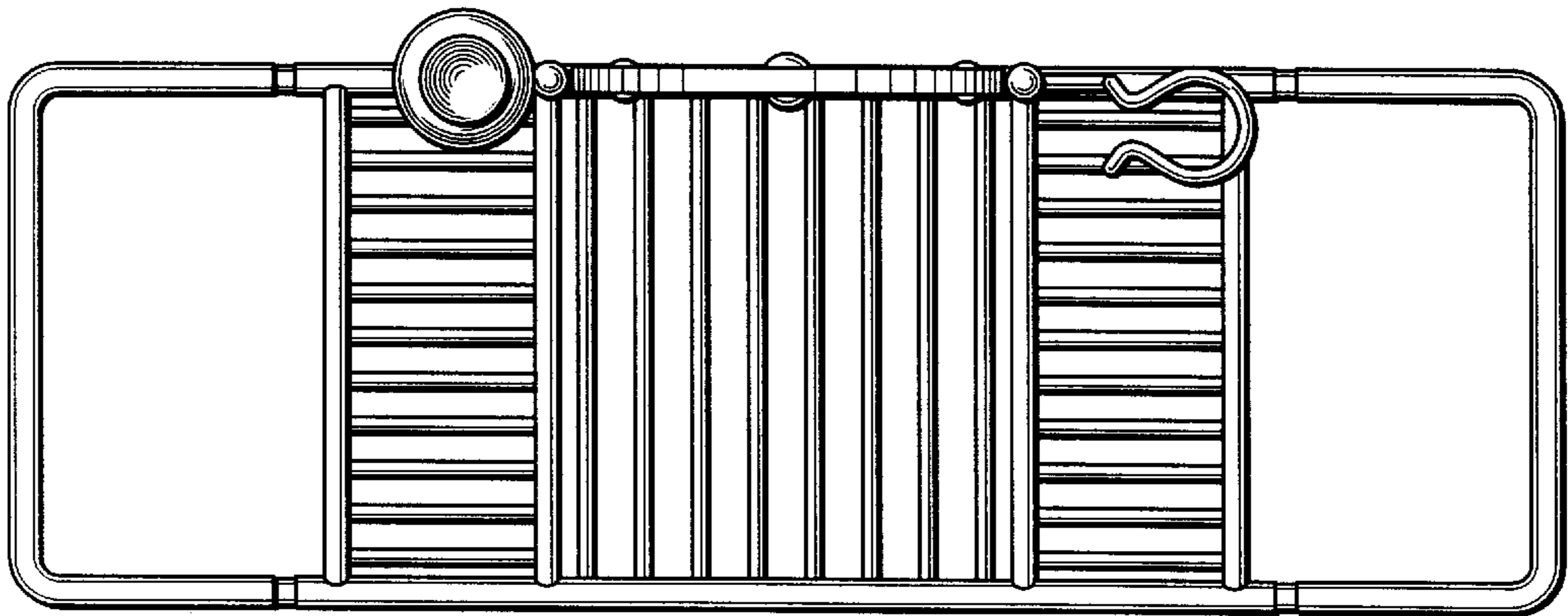


FIG. 2

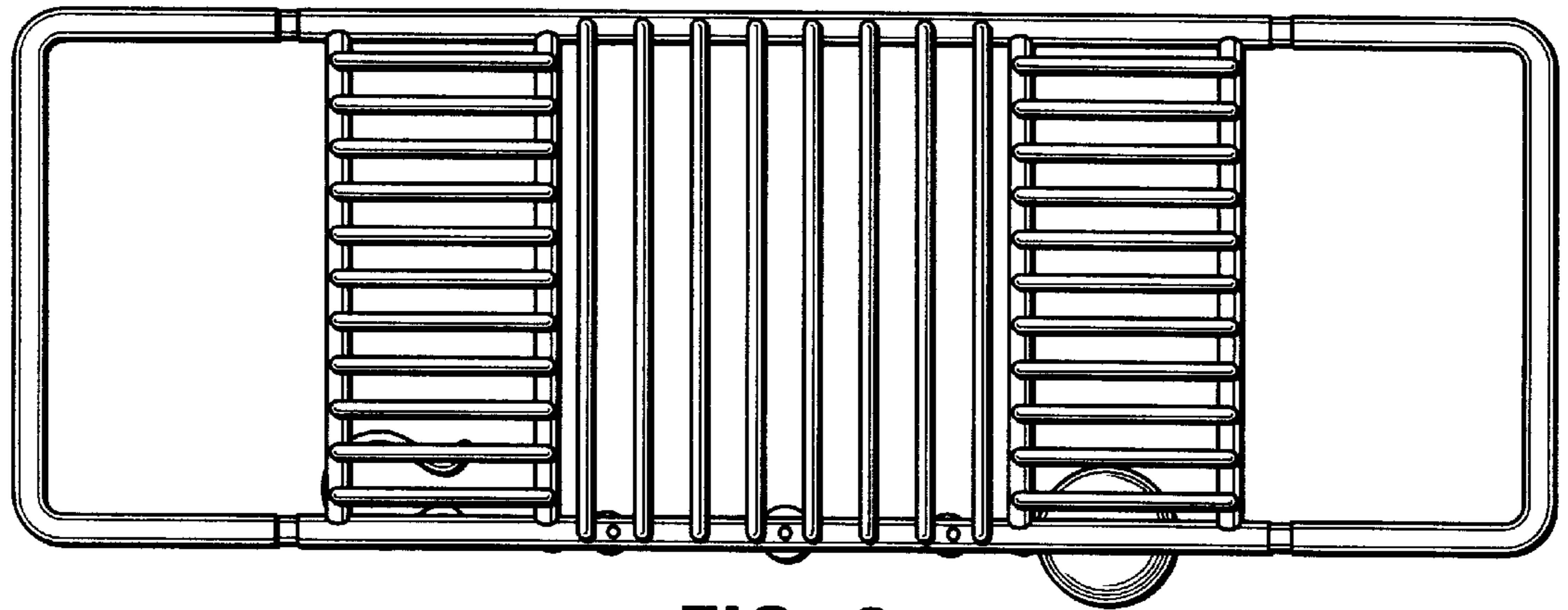


FIG. 3

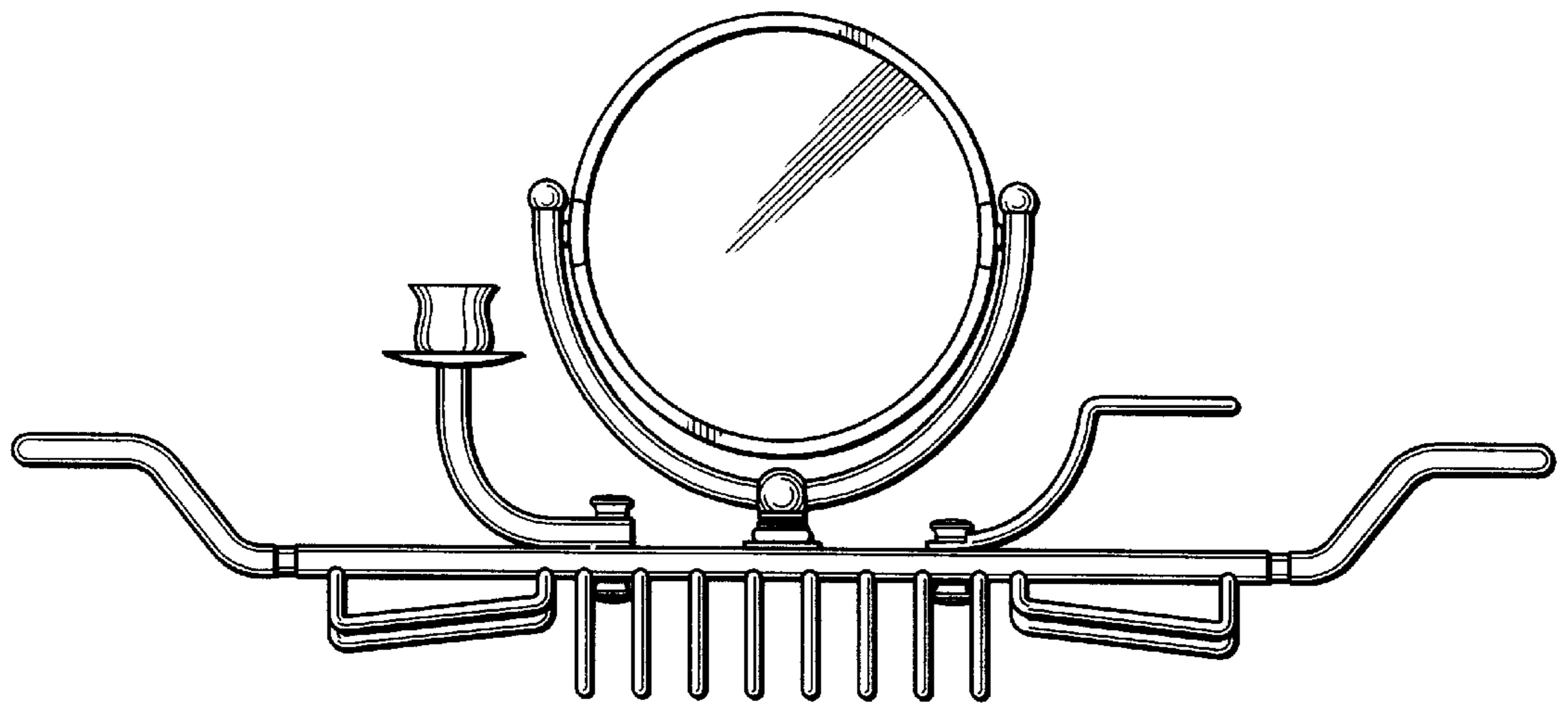


FIG. 4

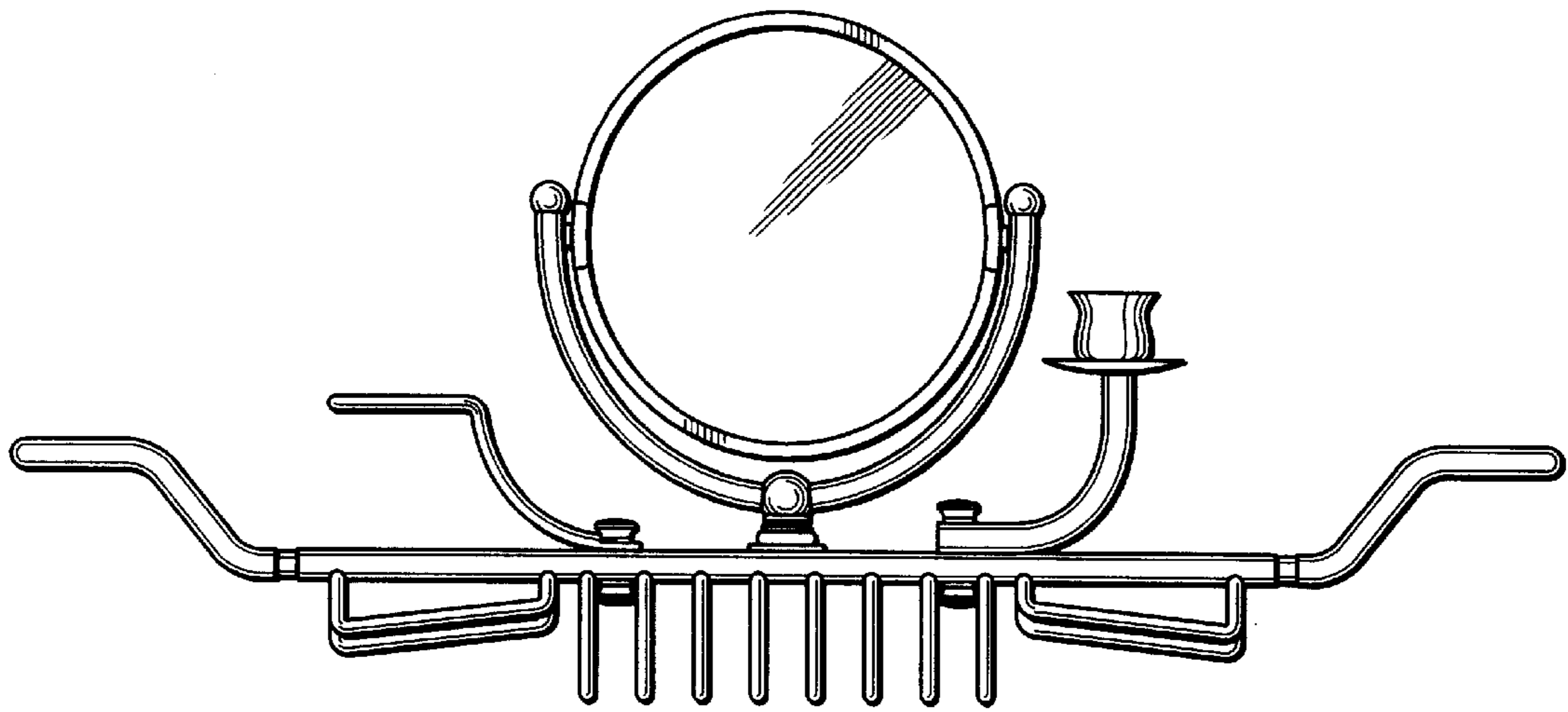


FIG. 5

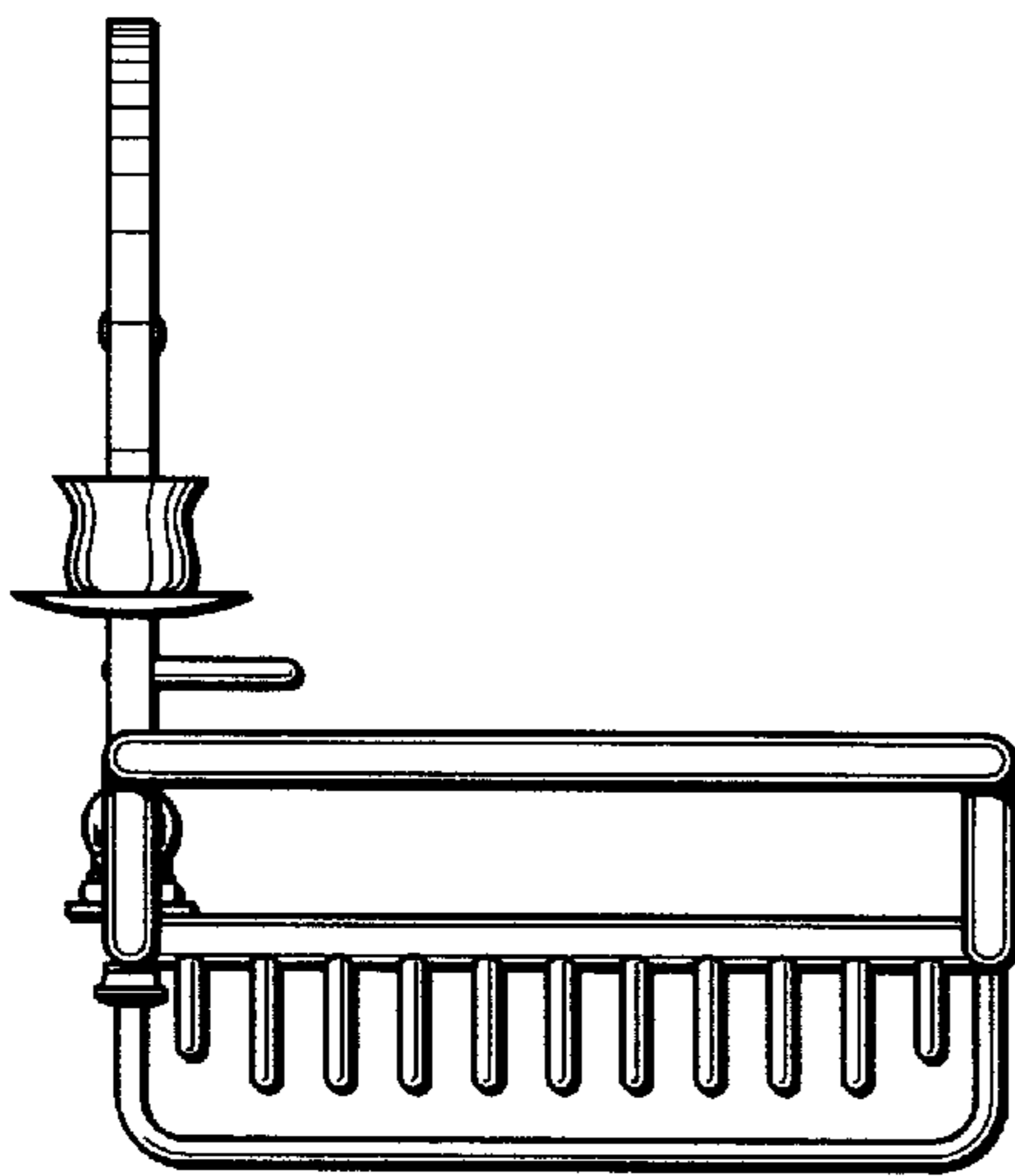


FIG. 6

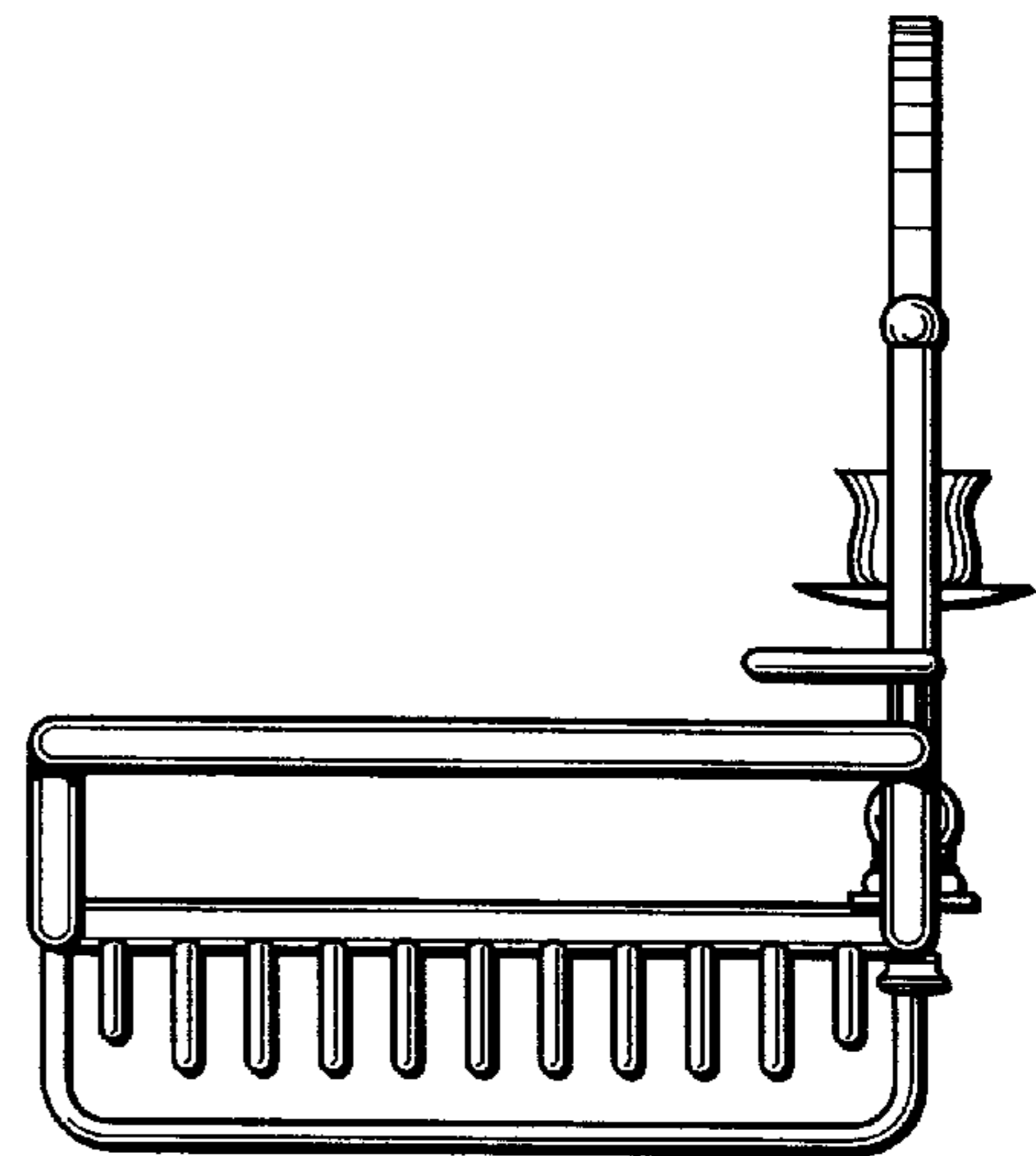


FIG. 7