



US00D447899B1

(12) **United States Design Patent**  
**Draughn, Sr.**

(10) **Patent No.:** **US D447,899 S**

(45) **Date of Patent:** **\*\* Sep. 18, 2001**

(54) **TOILET PAPER HOLDER**

4,375,874 3/1983 Leotta et al. .  
4,444,359 4/1984 Butler .

(76) Inventor: **Aubrey L Draughn, Sr.**, 39 Suburban Pkwy., Hampton, VA (US) 23661

\* cited by examiner

(\*\*) Term: **14 Years**

*Primary Examiner*—Brian N. Vinson

(21) Appl. No.: **29/124,279**

(57) **CLAIM**

(22) Filed: **Jun. 2, 2000**

The ornamental design for a toilet paper holder, as shown and described.

(51) **LOC (7) Cl.** ..... **23-02**

**DESCRIPTION**

(52) **U.S. Cl.** ..... **D6/523**

(58) **Field of Search** ..... D6/518-523; 206/389, 206/391; 242/560, 570; 312/34.8

FIG. 1 is a top, front, right side perspective view in an alternate position (door open) of the toilet paper holder of the present invention;

(56) **References Cited**

FIG. 2 is a front elevational view of the toilet paper holder of FIG. 1;

**U.S. PATENT DOCUMENTS**

FIG. 3 is a rear elevational view of the toilet paper holder of FIG. 1;

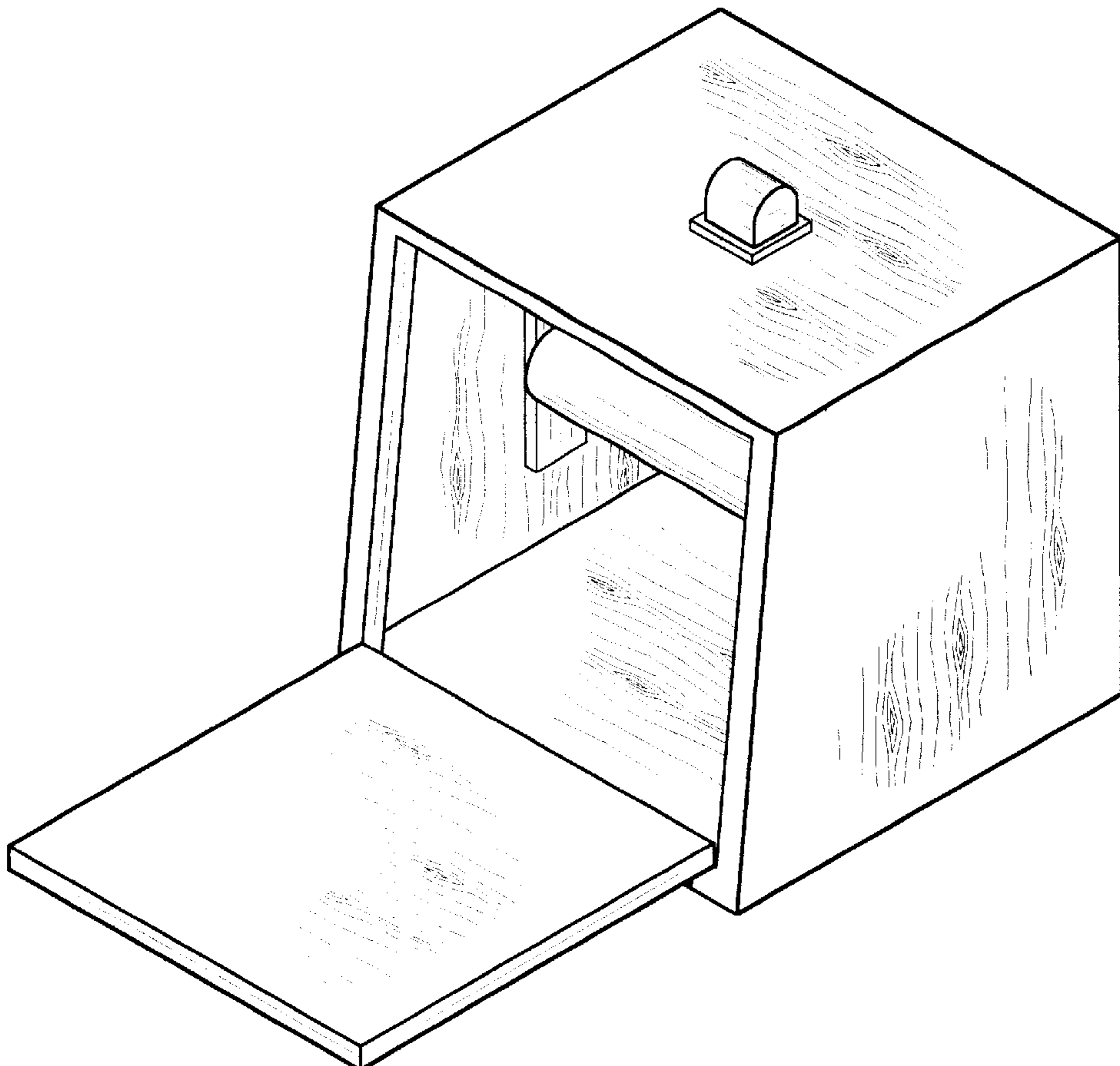
D. 248,001	5/1978	Santaella .	
D. 263,181	3/1982	Thompson .	
D. 318,201	* 7/1991	King .....	D6/518
D. 327,799	* 7/1992	Addison et al. ....	D6/523
D. 339,490	* 9/1993	Addison et al. ....	D6/518
D. 362,145	* 9/1995	Nolen .....	D6/523
D. 393,972	5/1998	Kato .	
D. 396,370	* 7/1998	Romero .....	D6/523
D. 418,705	* 1/2000	Wakam .....	D6/523
3,062,606	11/1962	Magrauth .	

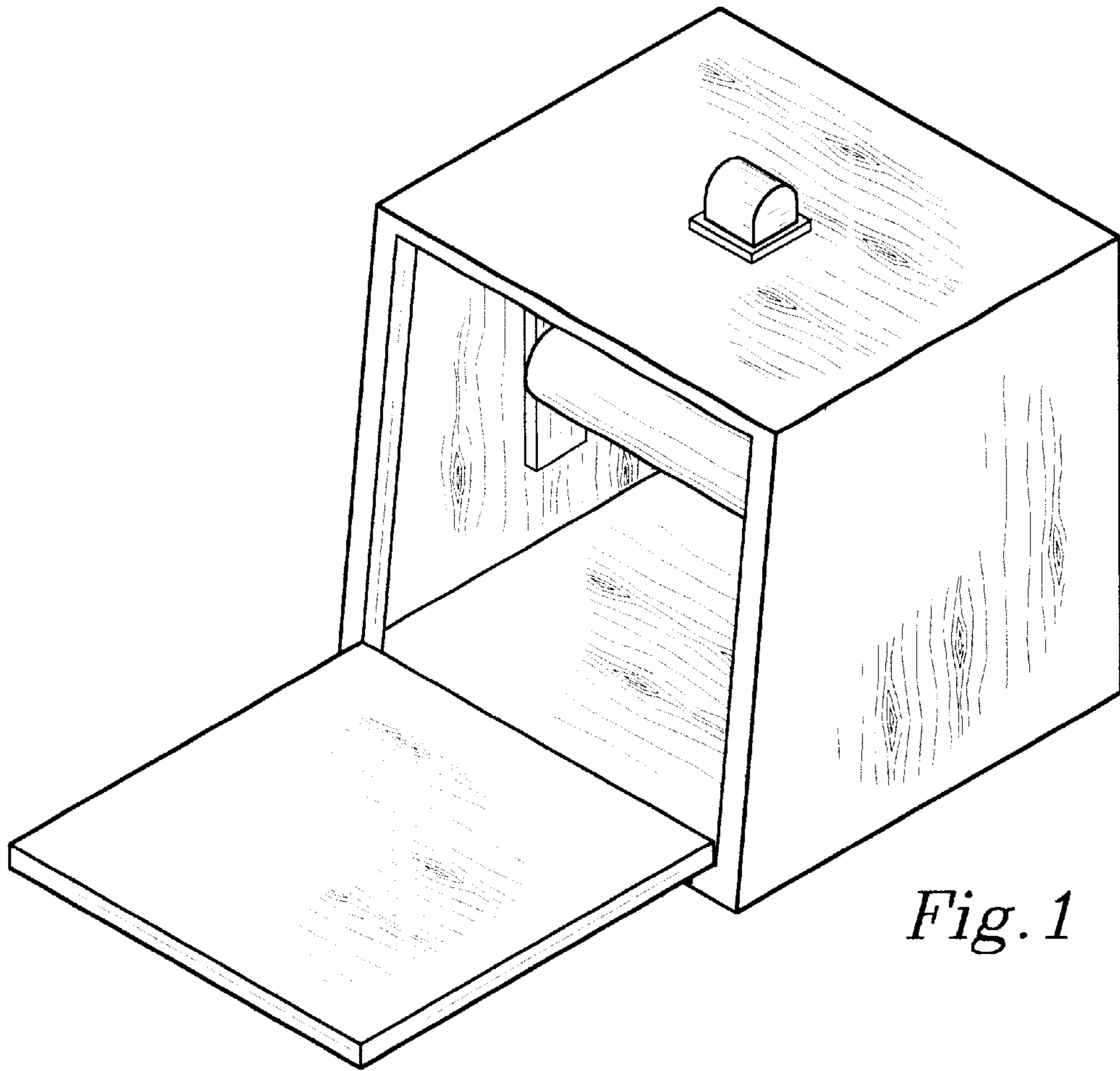
FIG. 4 is a left side elevational view of the toilet paper holder of FIG. 1; the right view being a mirror image thereof;

FIG. 5 is a top plan view of the toilet paper holder of FIG. 1; and,

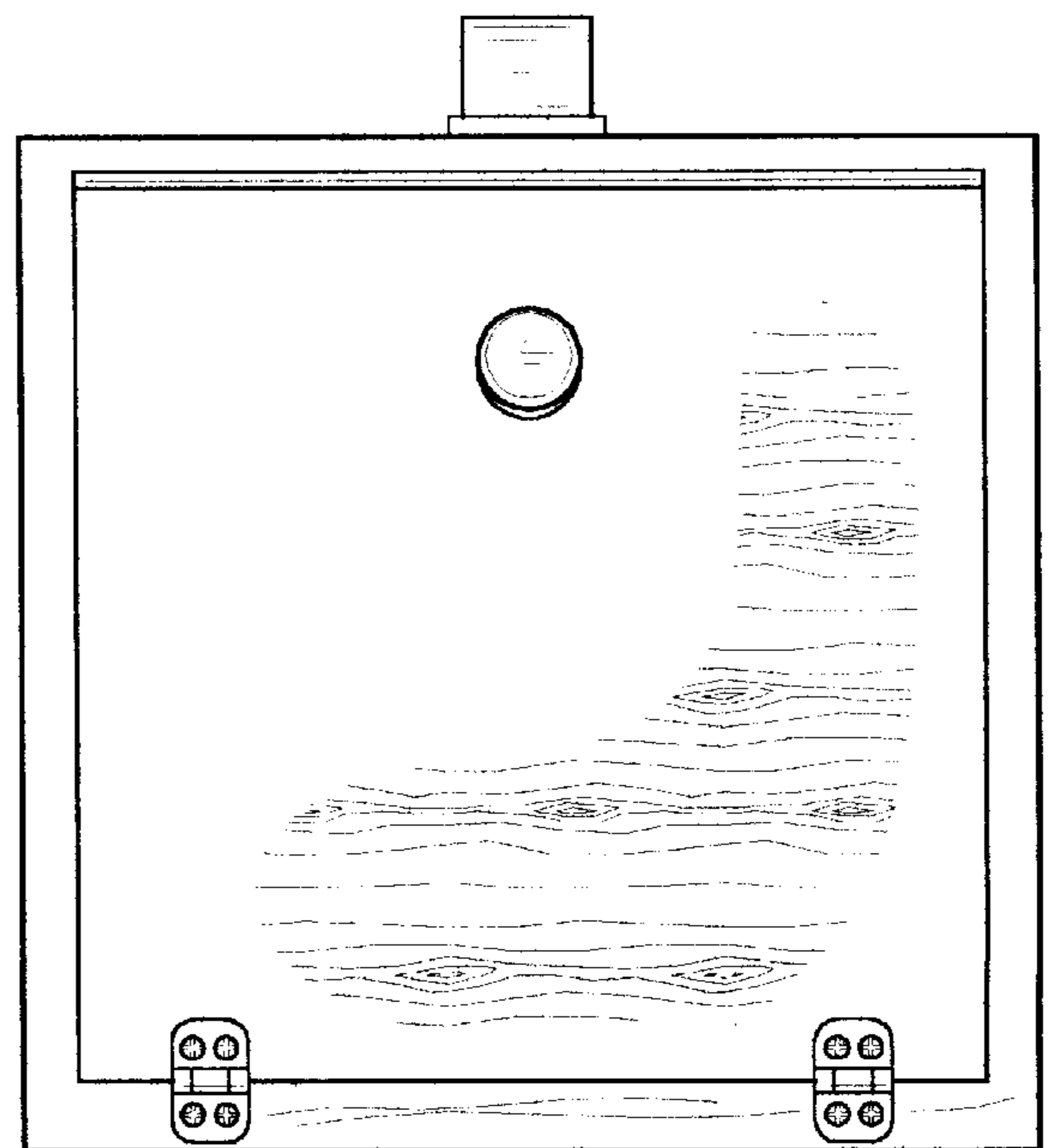
FIG. 6 is a bottom plan view of the toilet paper holder of FIG. 1.

**1 Claim, 3 Drawing Sheets**

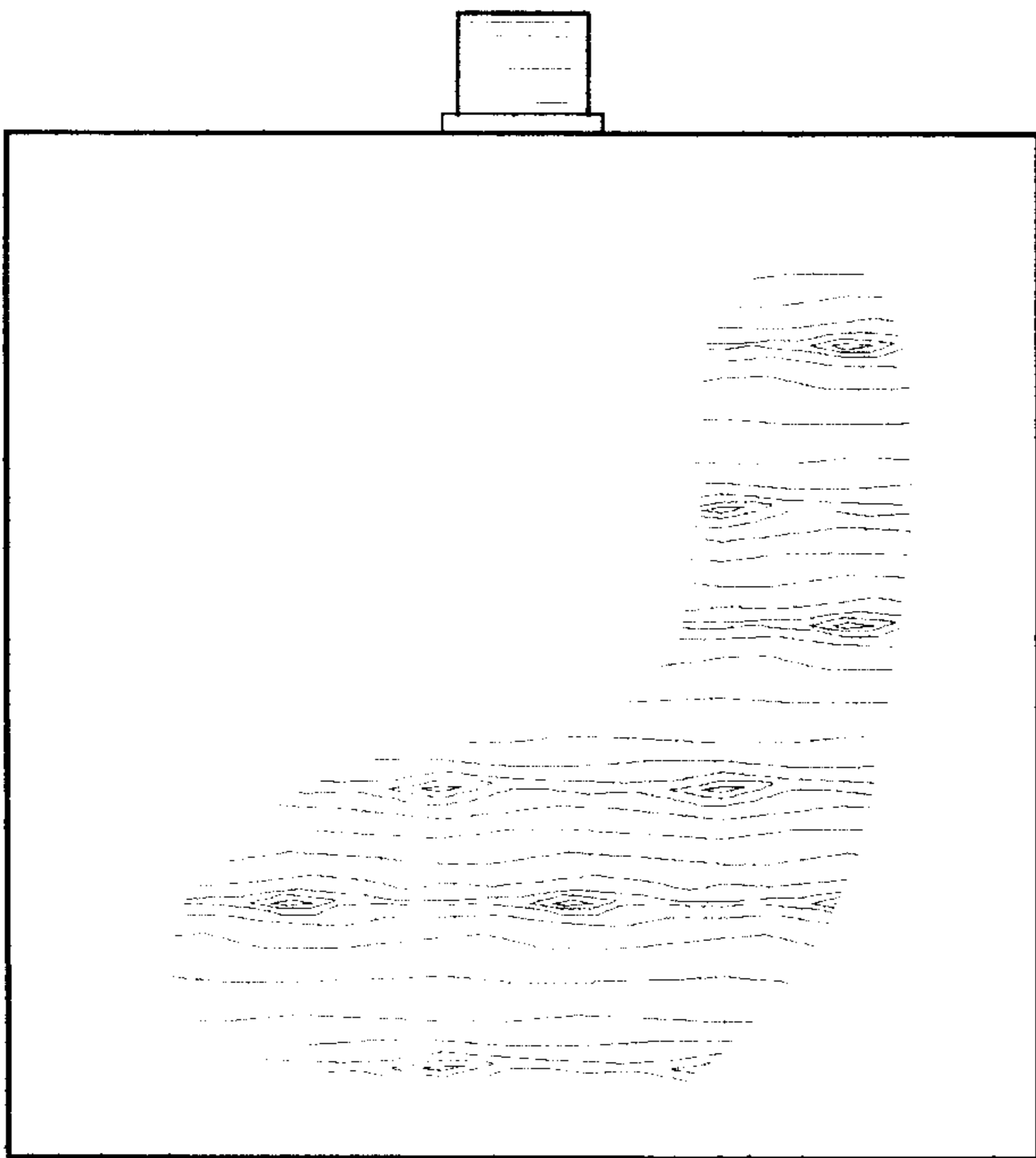




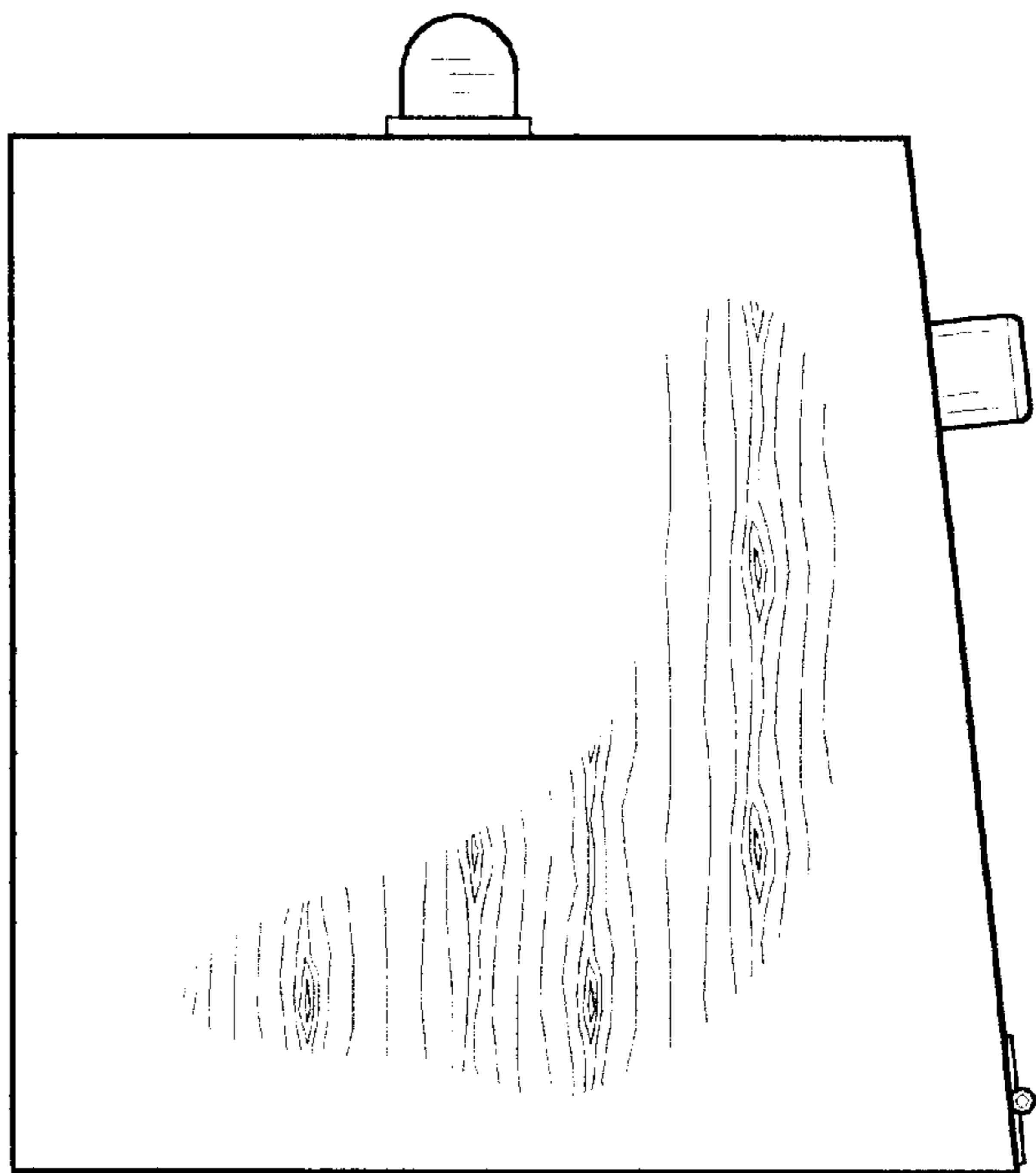
*Fig. 1*



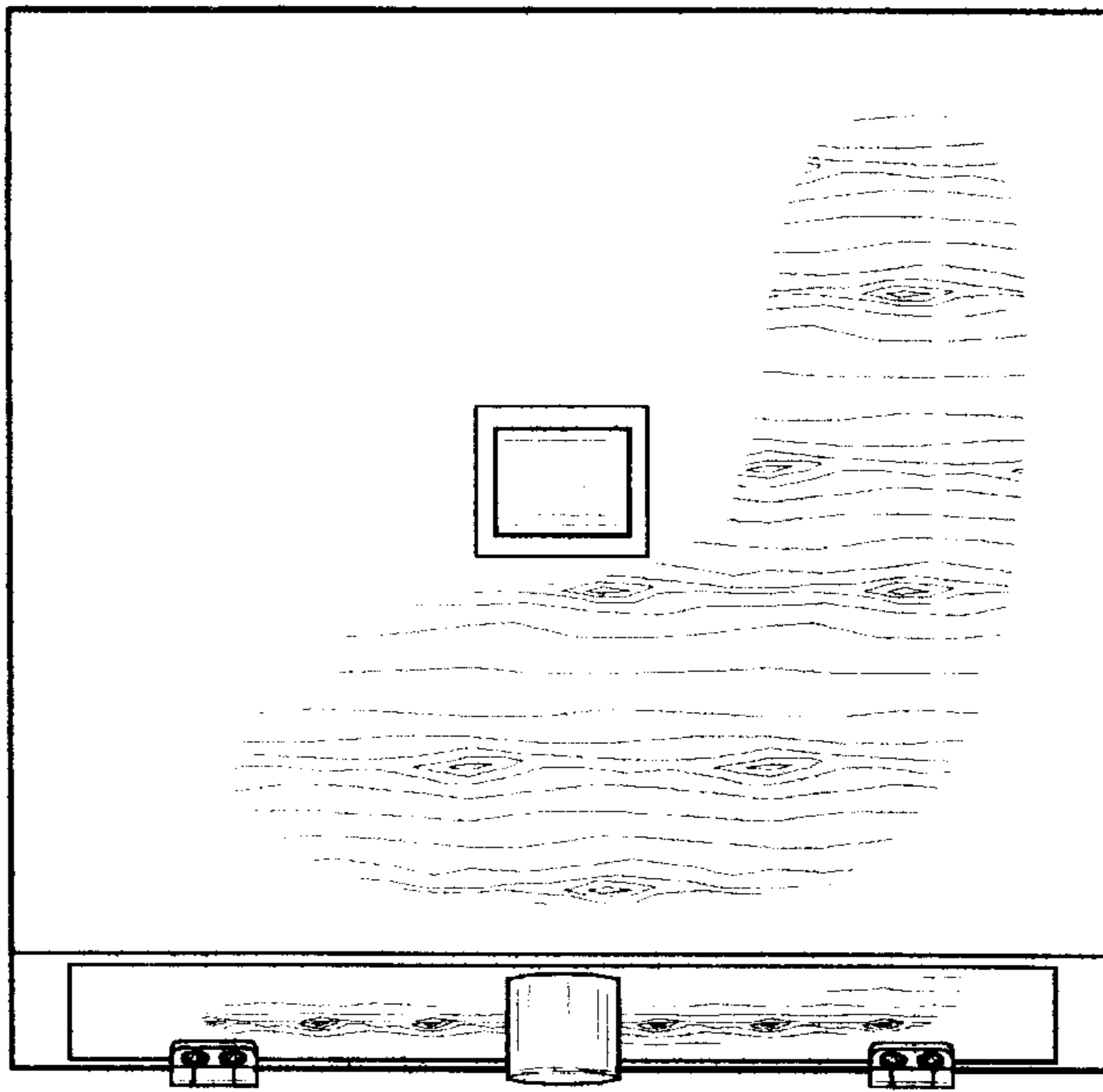
*Fig. 2*



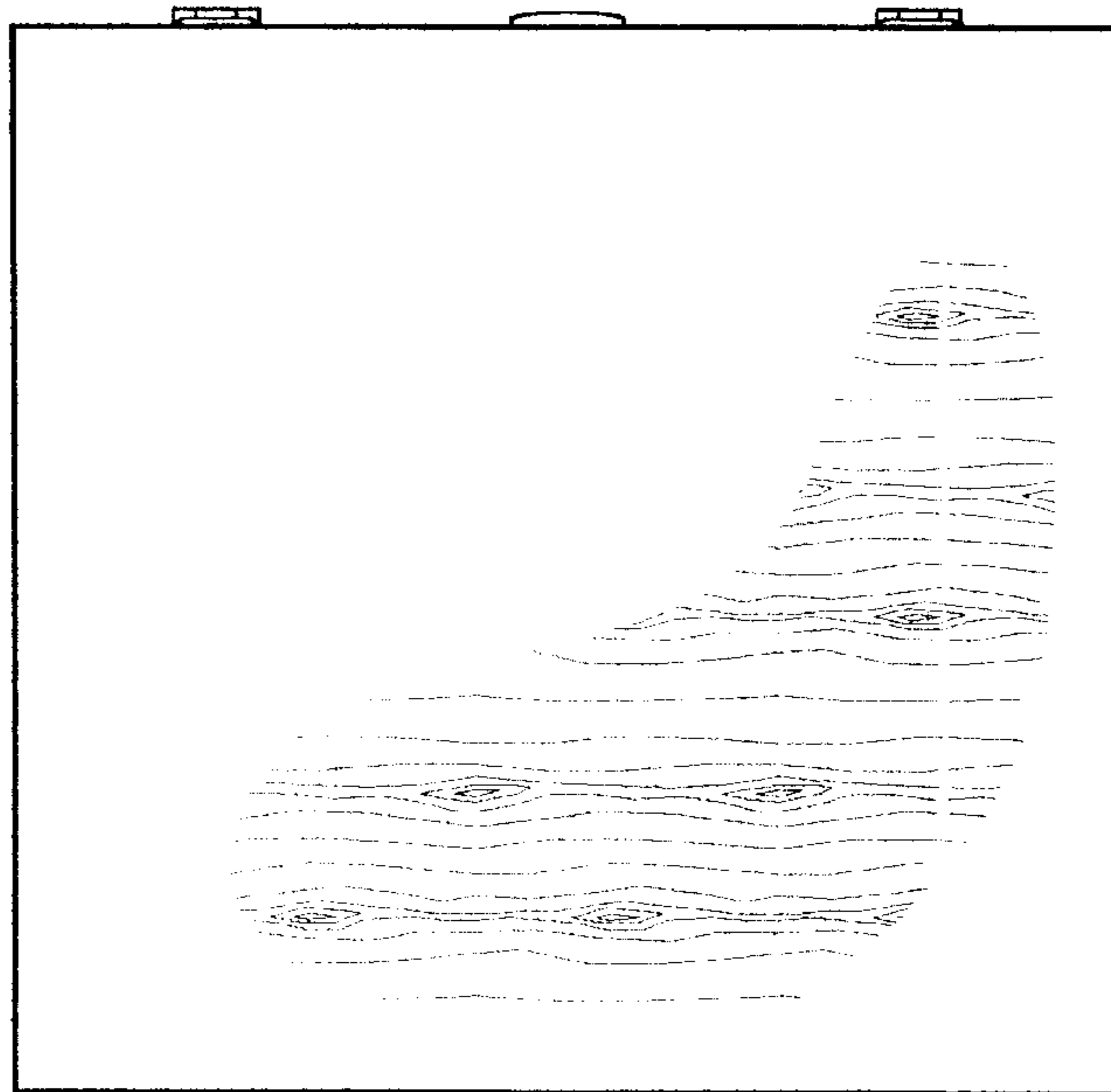
*Fig. 3*



*Fig. 4*



*Fig. 5*



*Fig. 6*