



US00D447895B1

(12) **United States Design Patent**  
**Chen**

(10) **Patent No.:** **US D447,895 S**

(45) **Date of Patent:** **\*\* Sep. 18, 2001**

(54) **CHAIR LEGS**

D. 413,214 \* 8/1999 Chu ..... D6/498

(76) Inventor: **Min-Hung Chen**, No. 43-23, Lung  
Men Road, lung Ching Hsiang, Taichung  
Hsien (TW)

\* cited by examiner

*Primary Examiner*—Gary D. Watson  
(74) *Attorney, Agent, or Firm*—Alan Kamrath; Rider,  
Bennett, Egan & Arundel, LLP

(\*\*) Term: **14 Years**

(57) **CLAIM**

(21) Appl. No.: **29/131,435**

The ornamental design for chair legs, as shown and  
described.

(22) Filed: **Oct. 20, 2000**

(51) **LOC (7) Cl.** ..... **06-06**

**DESCRIPTION**

(52) **U.S. Cl.** ..... **D6/498; D6/366**

FIG. 1 is a perspective view of a chair legs showing my new  
design;

(58) **Field of Search** ..... D6/334, 364, 365,  
D6/366, 367, 498, 500, 501, 502; 248/188,  
188.1, 188.7, 188.8, 188.9

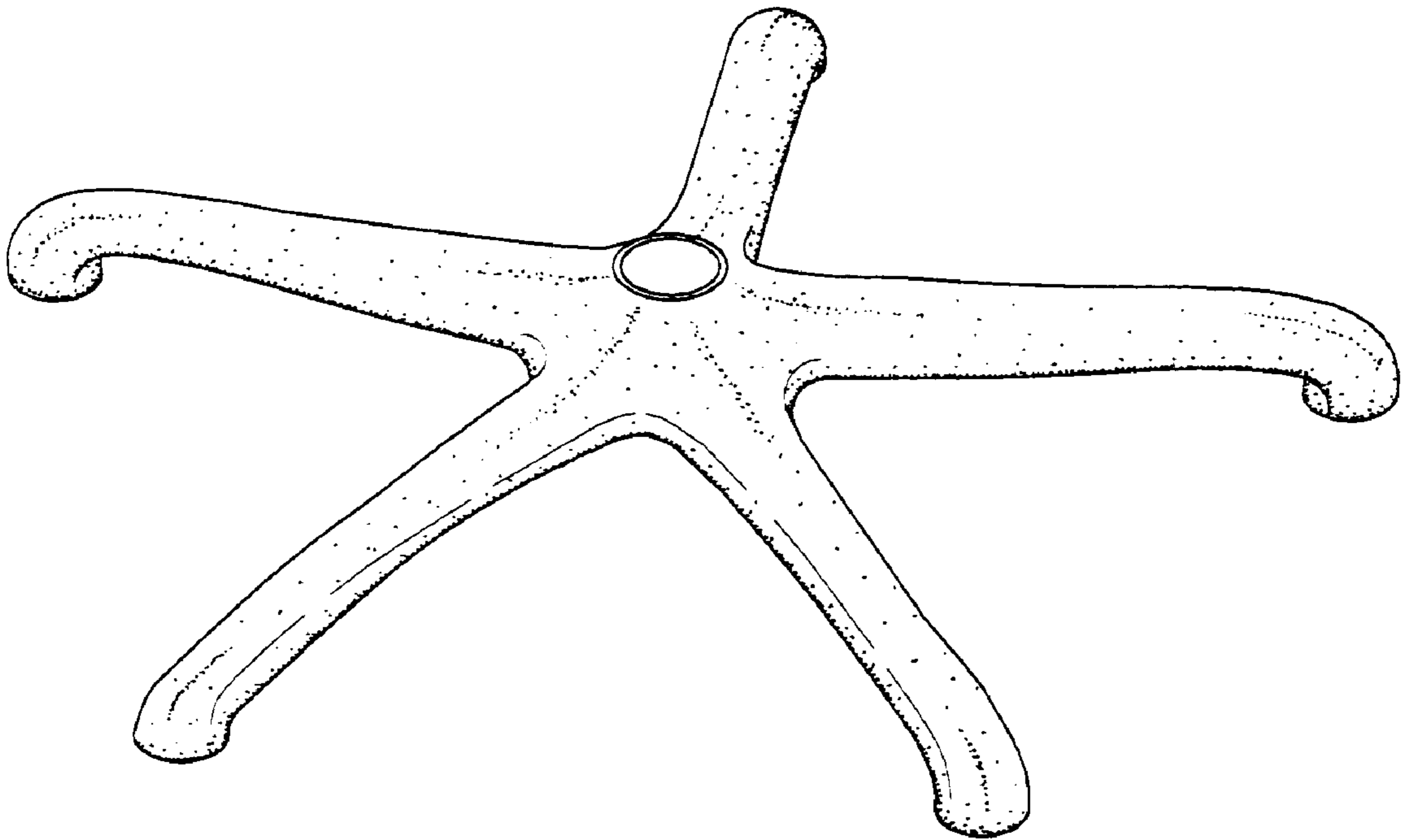
FIG. 2 is a front elevational view thereof;  
FIG. 3 is a rear elevational view thereof;  
FIG. 4 is a left elevational view thereof;  
FIG. 5 is a right elevational view thereof;  
FIG. 6 is a top plan view thereof; and,  
FIG. 7 is bottom plan view thereof.

(56) **References Cited**

**U.S. PATENT DOCUMENTS**

- D. 369,928 \* 5/1996 Larkin ..... D6/498
- D. 394,961 \* 6/1998 Fancelli ..... D6/366

**1 Claim, 4 Drawing Sheets**



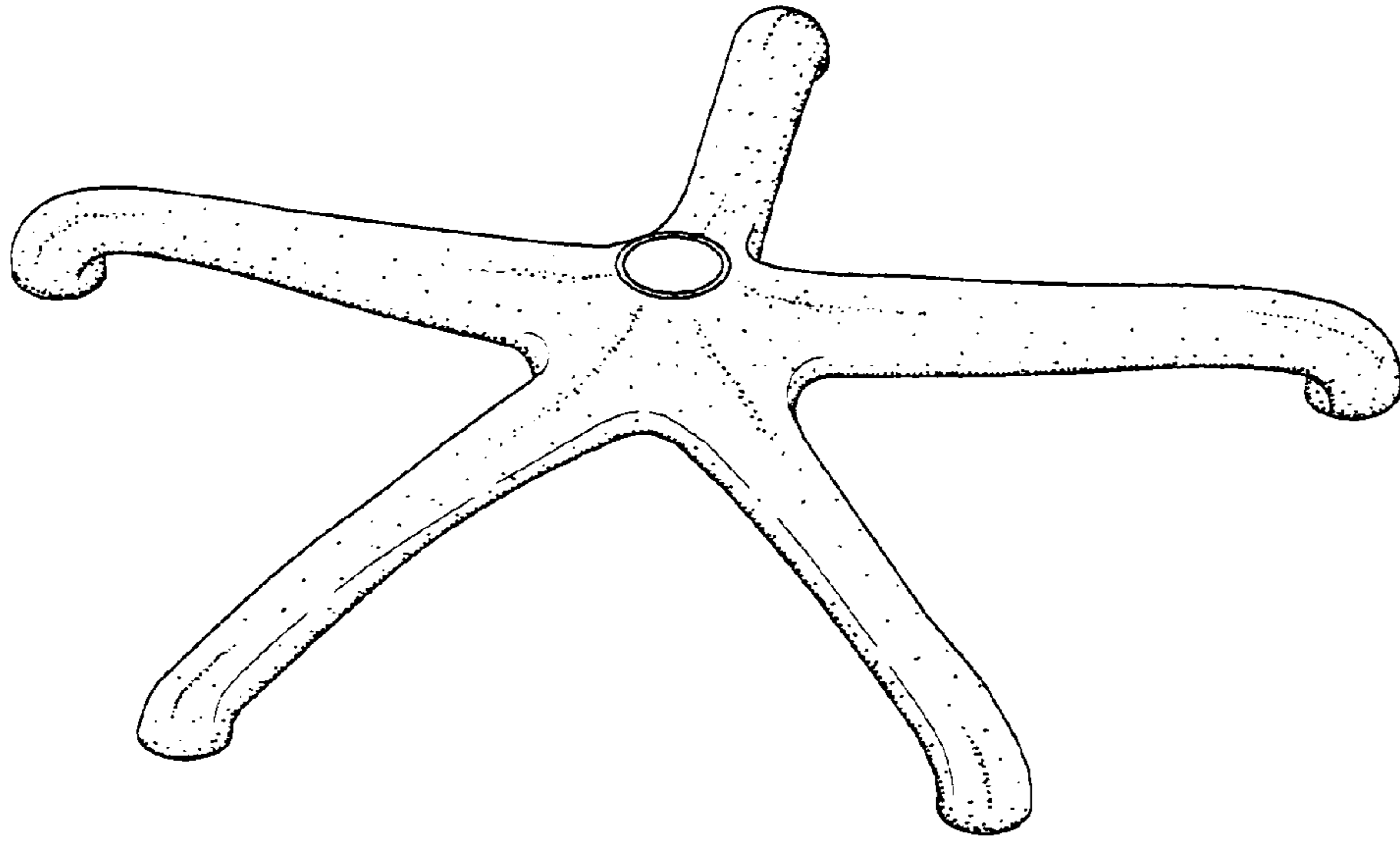


Fig. 1

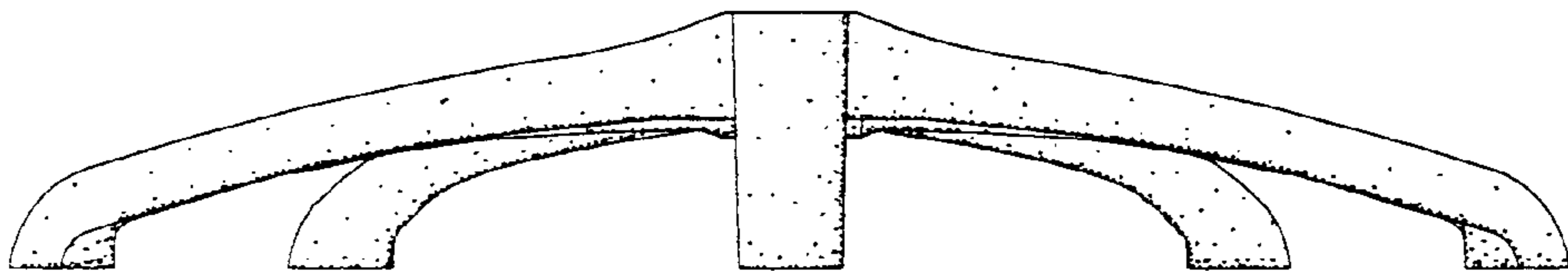


Fig. 2

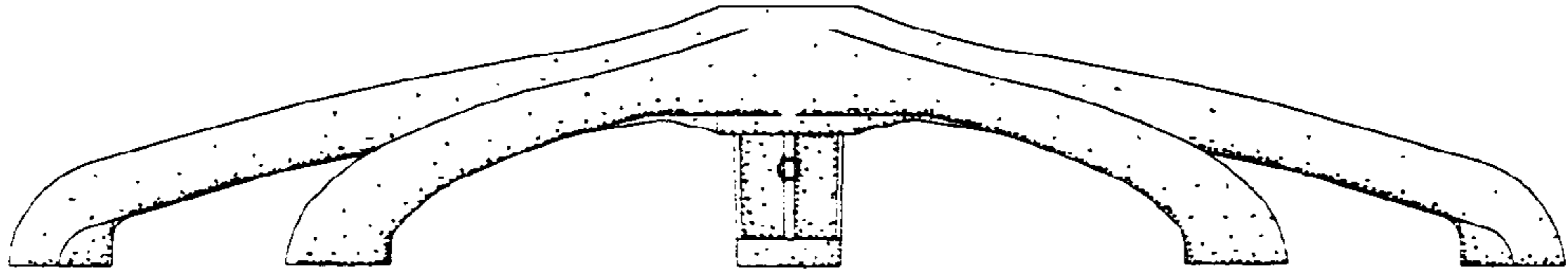


Fig. 3

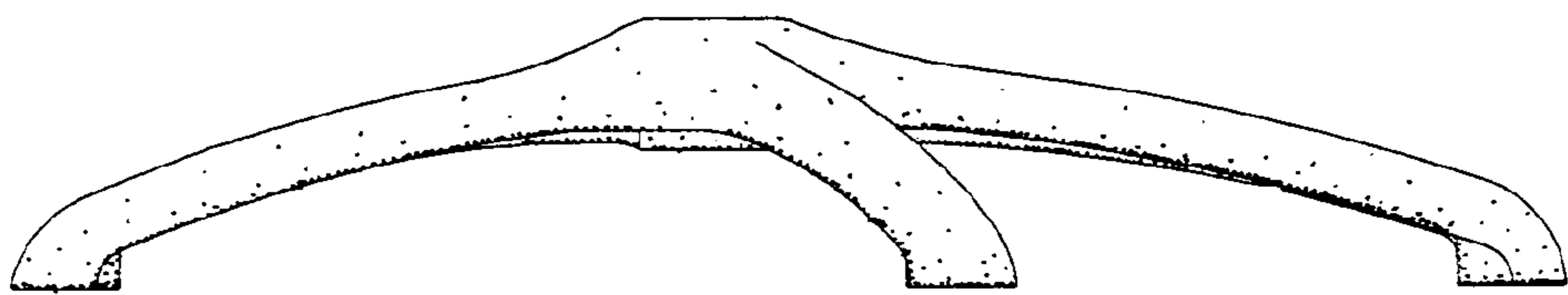


Fig. 4

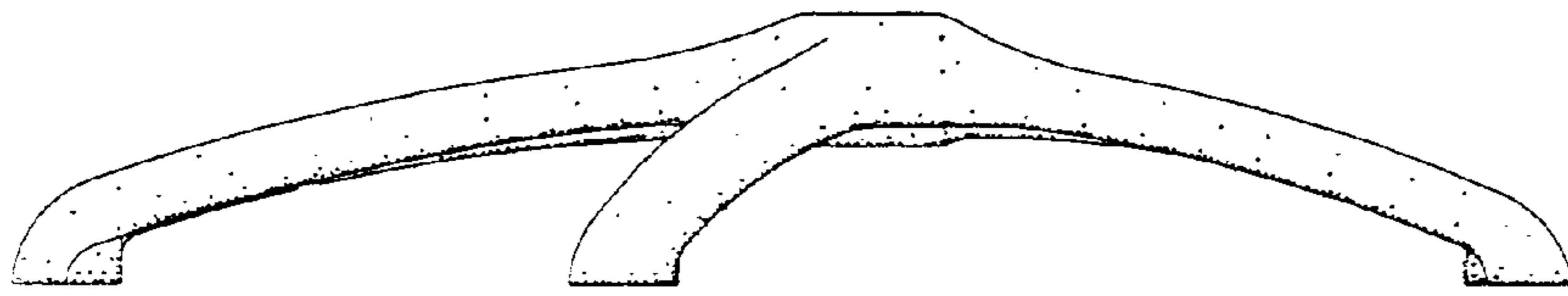


Fig. 5

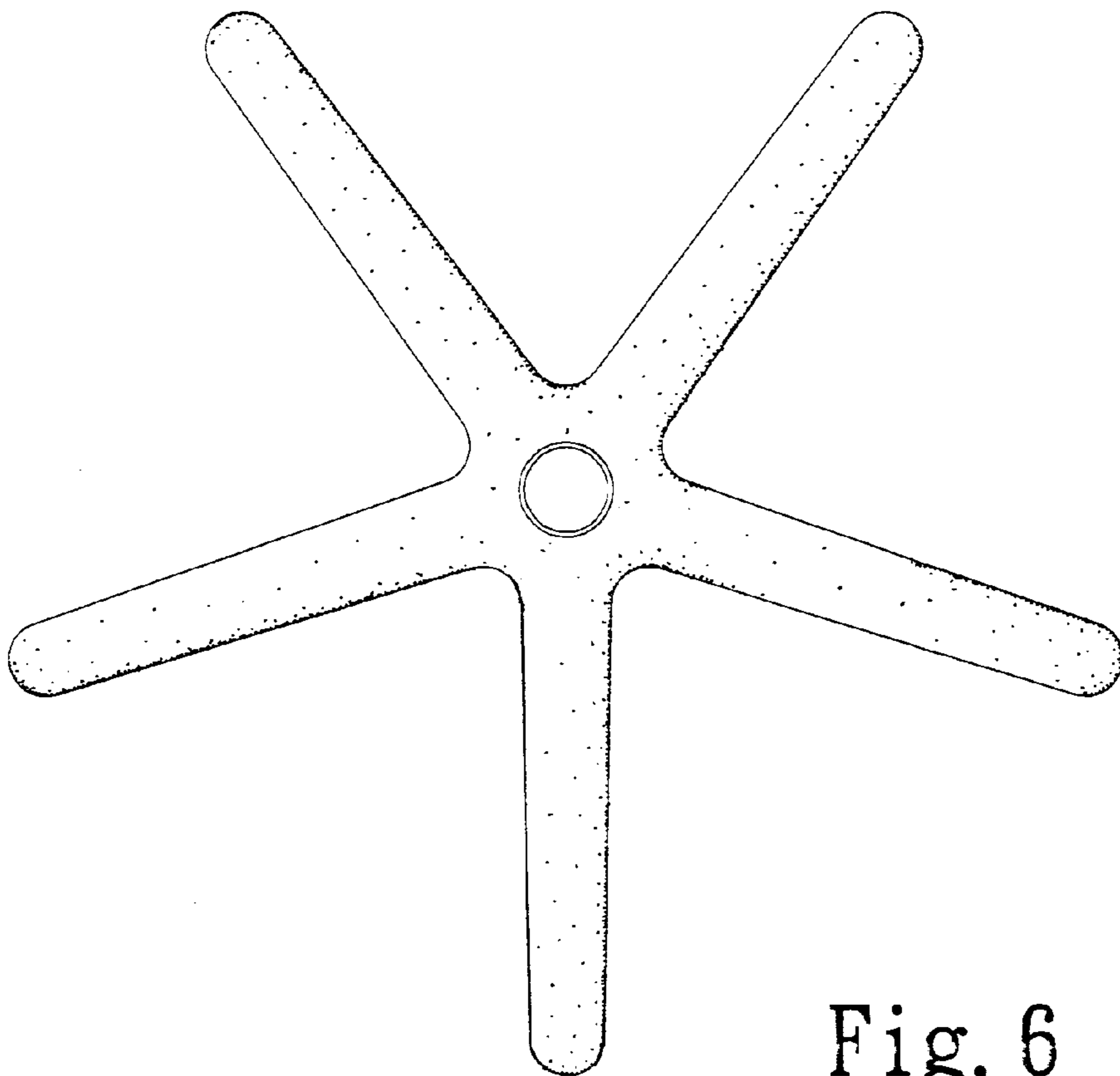


Fig. 6

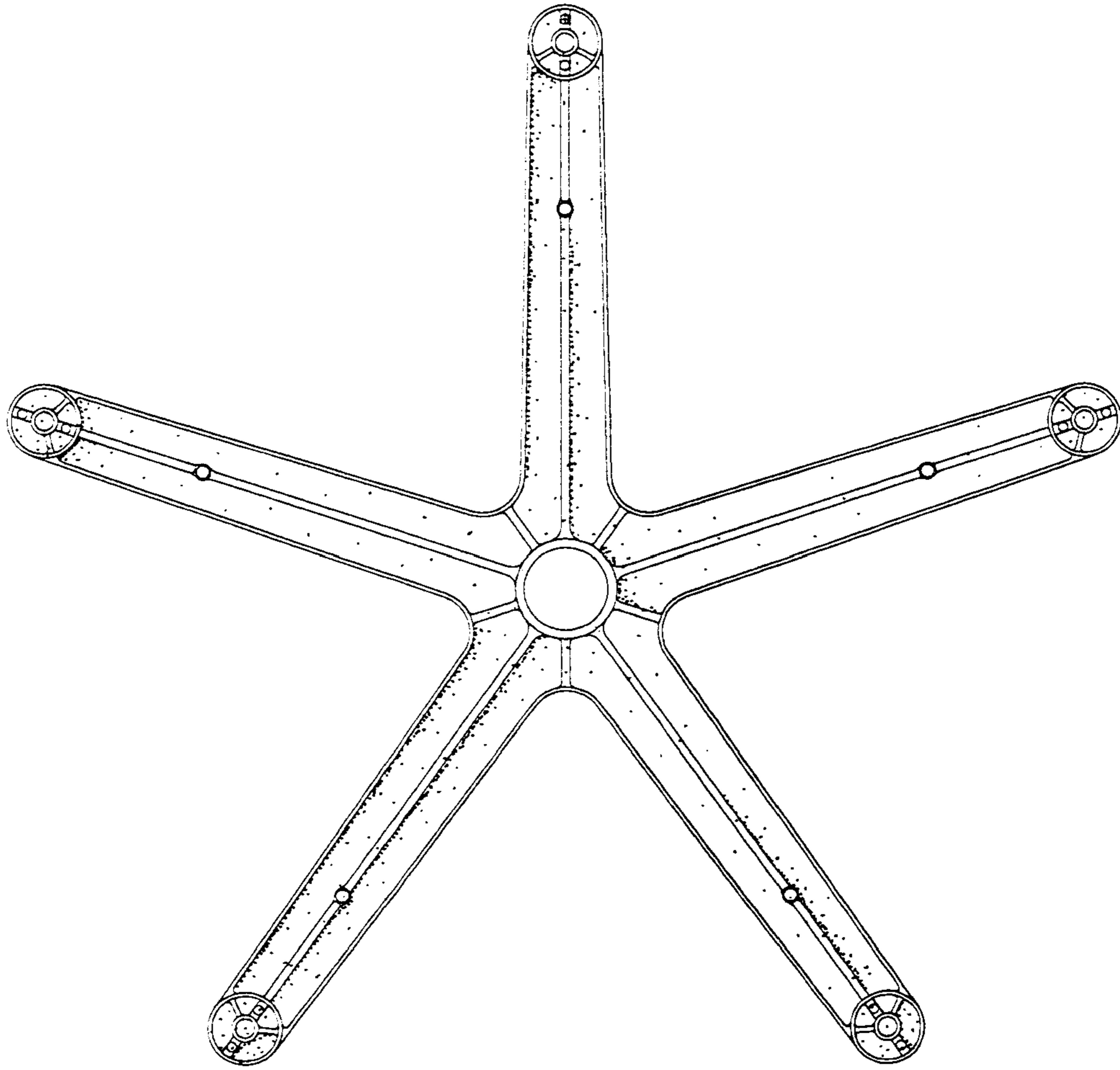


Fig. 7