



US00D447892B1

(12) **United States Design Patent**  
**Shih**

(10) **Patent No.:** **US D447,892 S**

(45) **Date of Patent:** **\*\* Sep. 18, 2001**

(54) **TABLE**

(76) Inventor: **Shu-Fen Shih**, P.O. Box 453, Taichung (TW)

(\*\*) Term: **14 Years**

(21) Appl. No.: **29/131,300**

(22) Filed: **Oct. 19, 2000**

(51) **LOC (7) Cl.** ..... **06-03**

(52) **U.S. Cl.** ..... **D6/480**

(58) **Field of Search** ..... D6/480-489, 495-499, D6/511; 108/153.1, 157.1, 155, 156, 161; 248/188, 188.1, 188.8

(56) **References Cited**

**U.S. PATENT DOCUMENTS**

- D. 255,076 \* 5/1980 Adkinson ..... D6/484
- D. 332,362 \* 1/1993 Lewis ..... D6/480

**OTHER PUBLICATIONS**

Lane Occasional Tables, p. 60, sofa table at lower left.\*

\* cited by examiner

*Primary Examiner*—Janice E. Seeger

(57) **CLAIM**

The ornamental design for a table, as shown and described.

**DESCRIPTION**

FIG. 1 is an upper perspective view of the table showing my design.

FIG. 2 is a front view thereof;

FIG. 3 is a back view thereof;

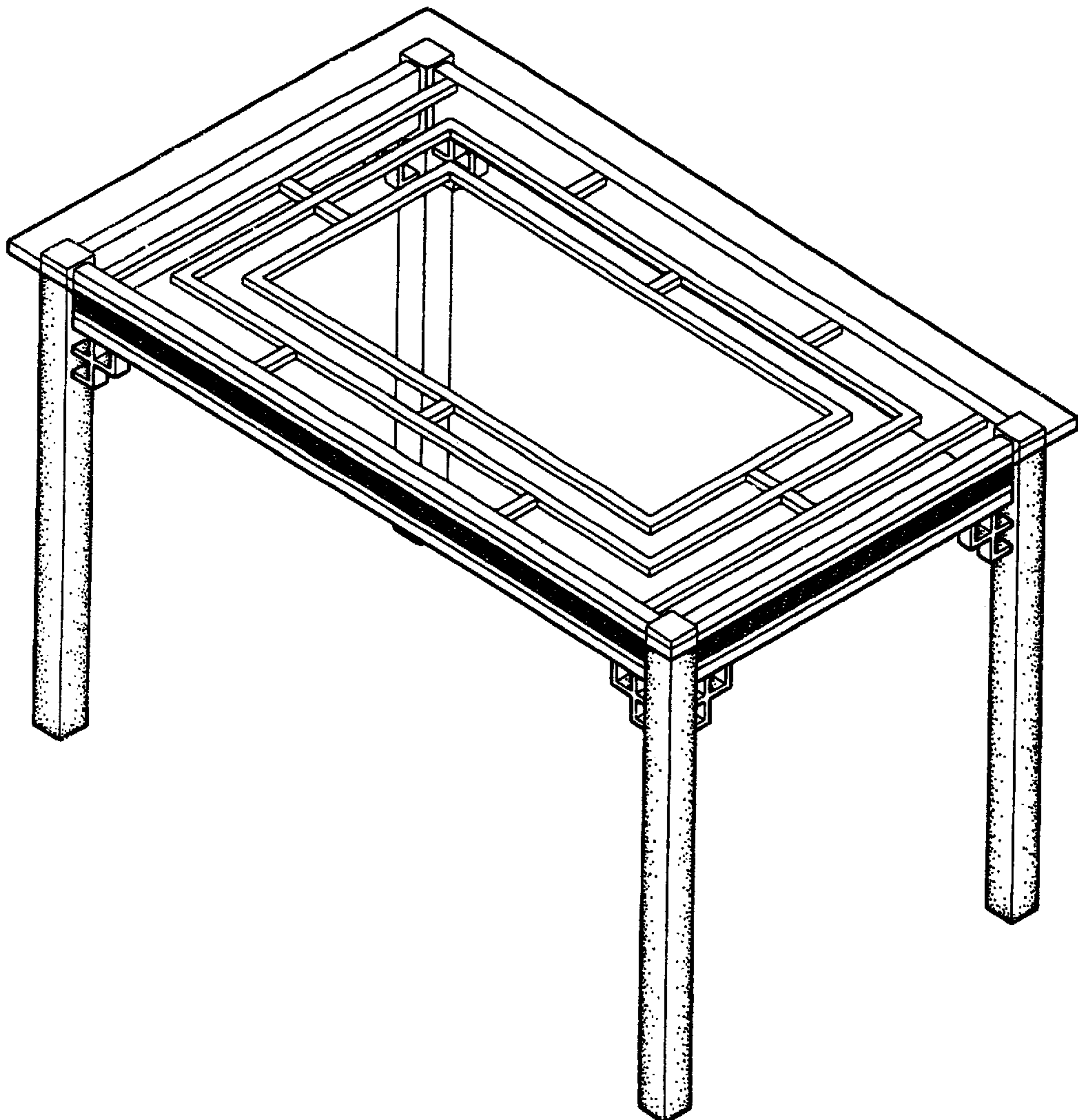
FIG. 4 is a side view thereof;

FIG. 5 is an opposite side view thereof;

FIG. 6 is a top view thereof; and,

FIG. 7 is a bottom view thereof.

**1 Claim, 7 Drawing Sheets**



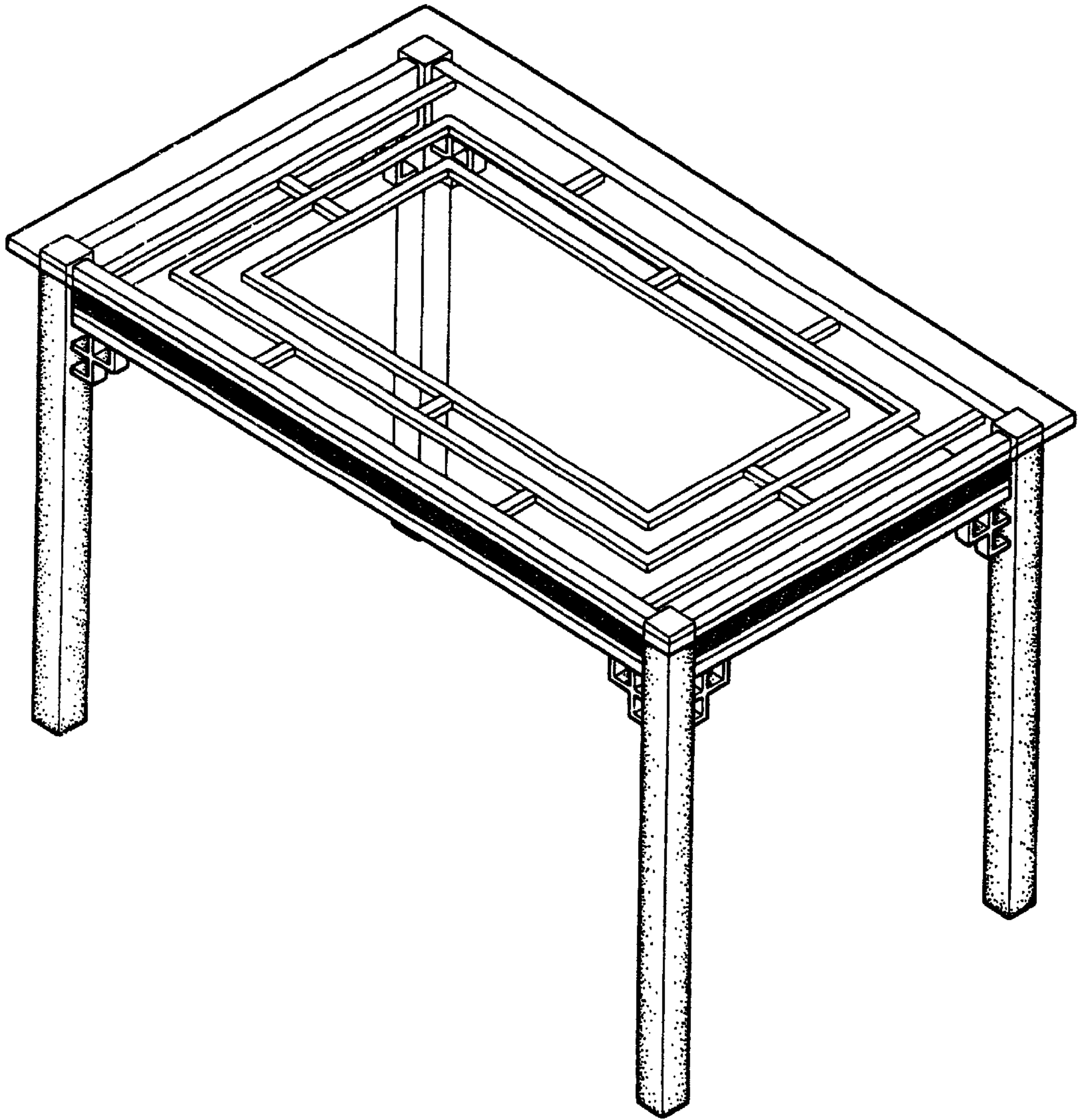


FIG.1

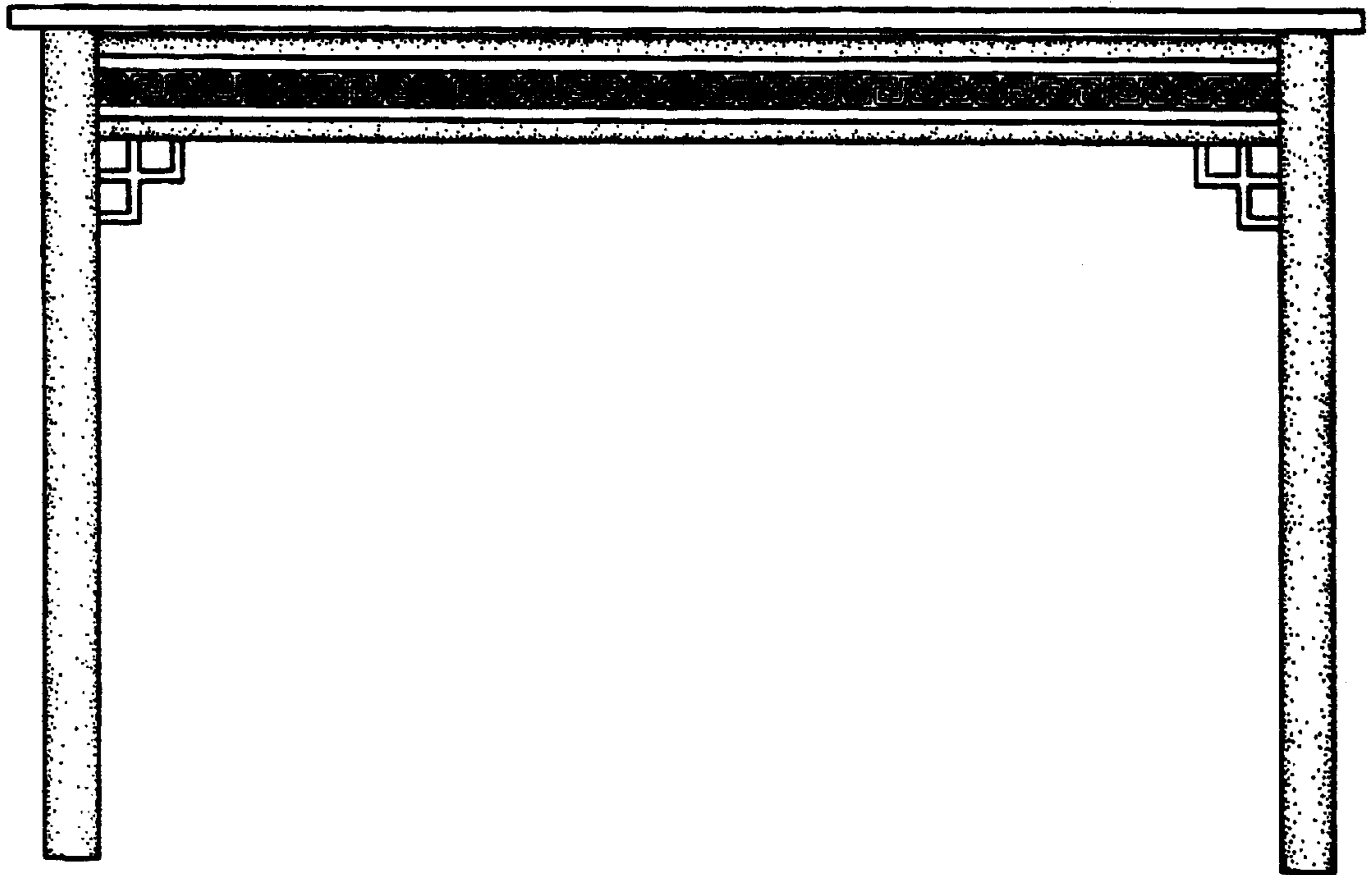


FIG. 2

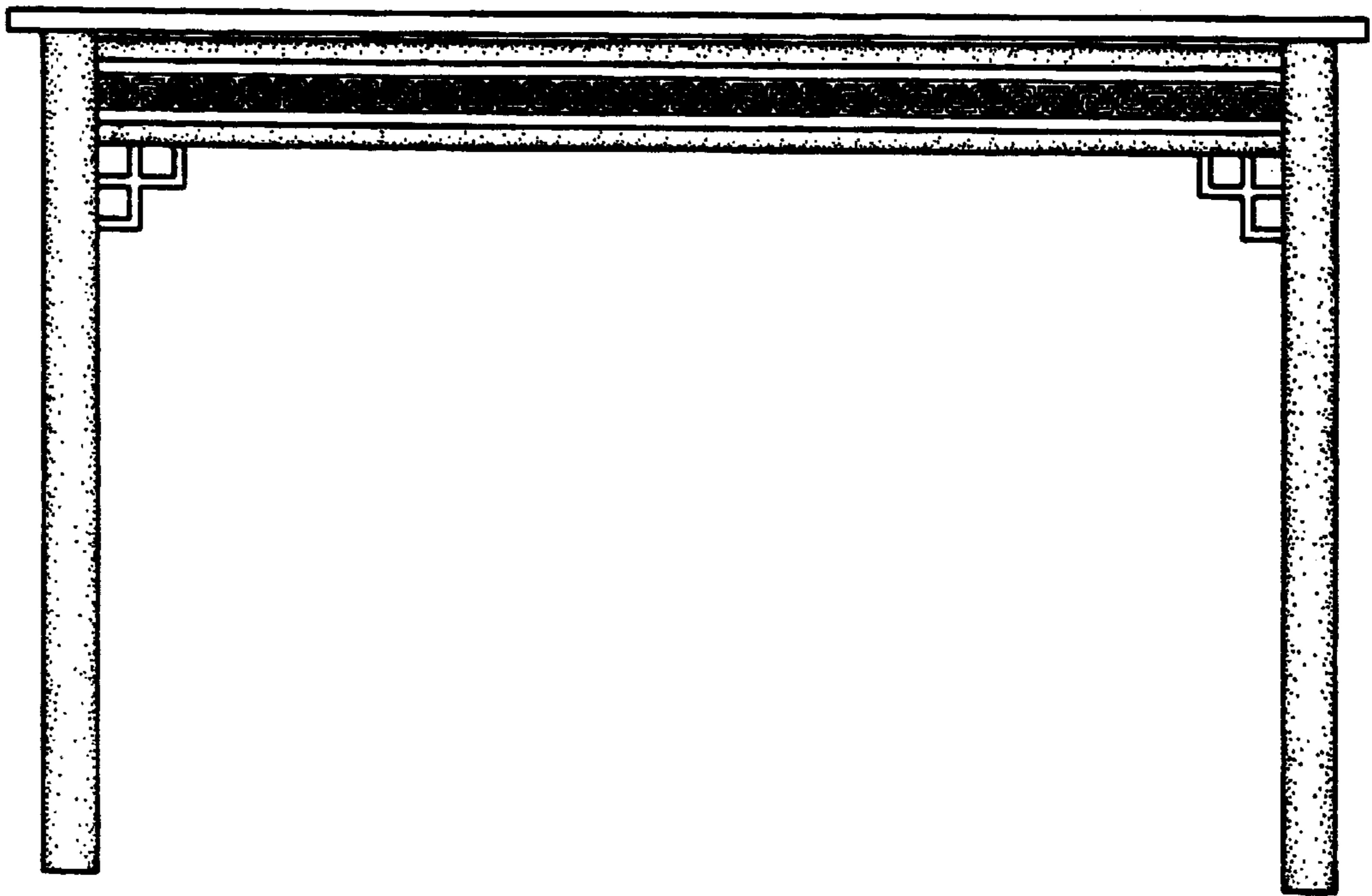


FIG. 3

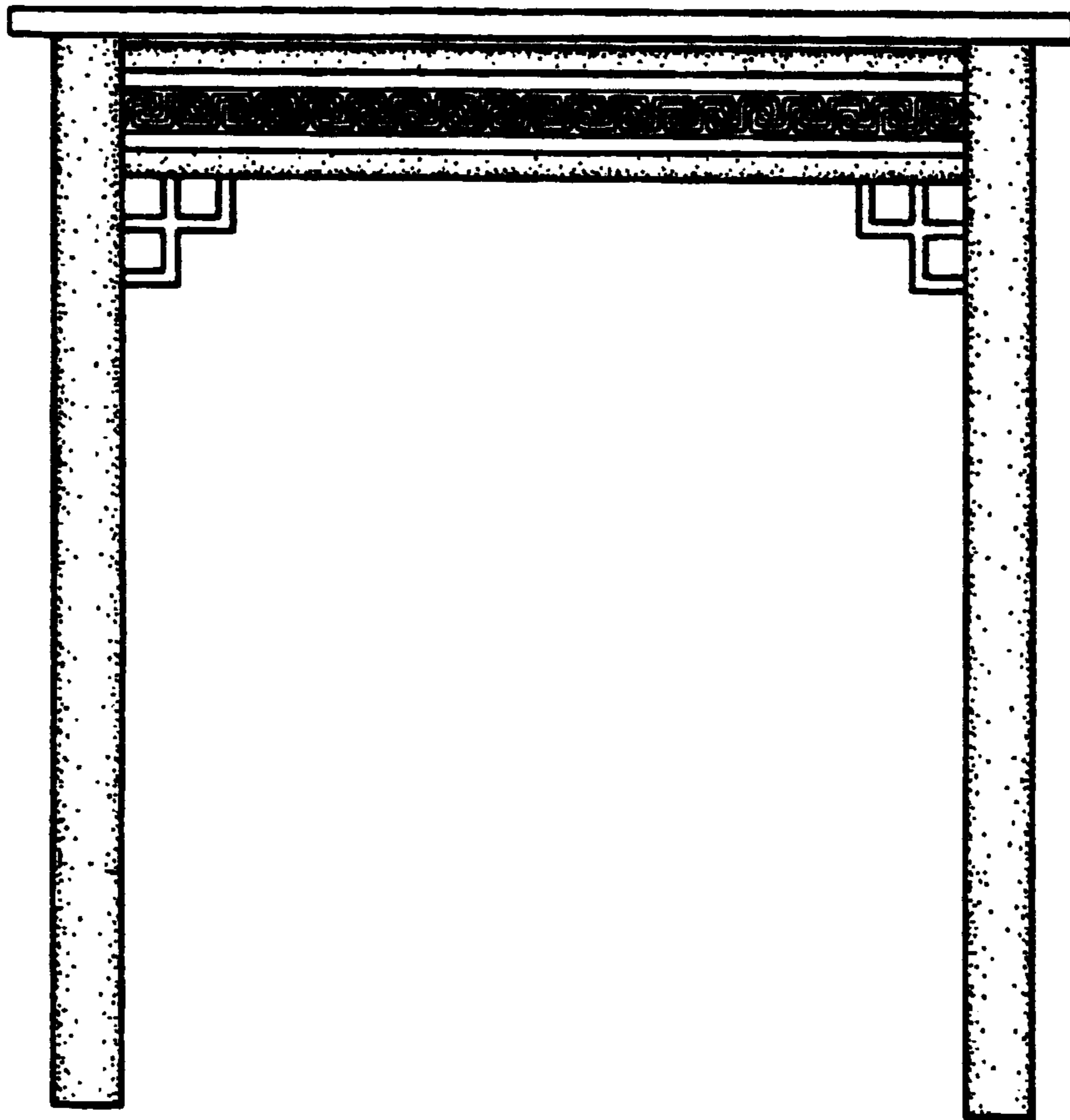


FIG. 4

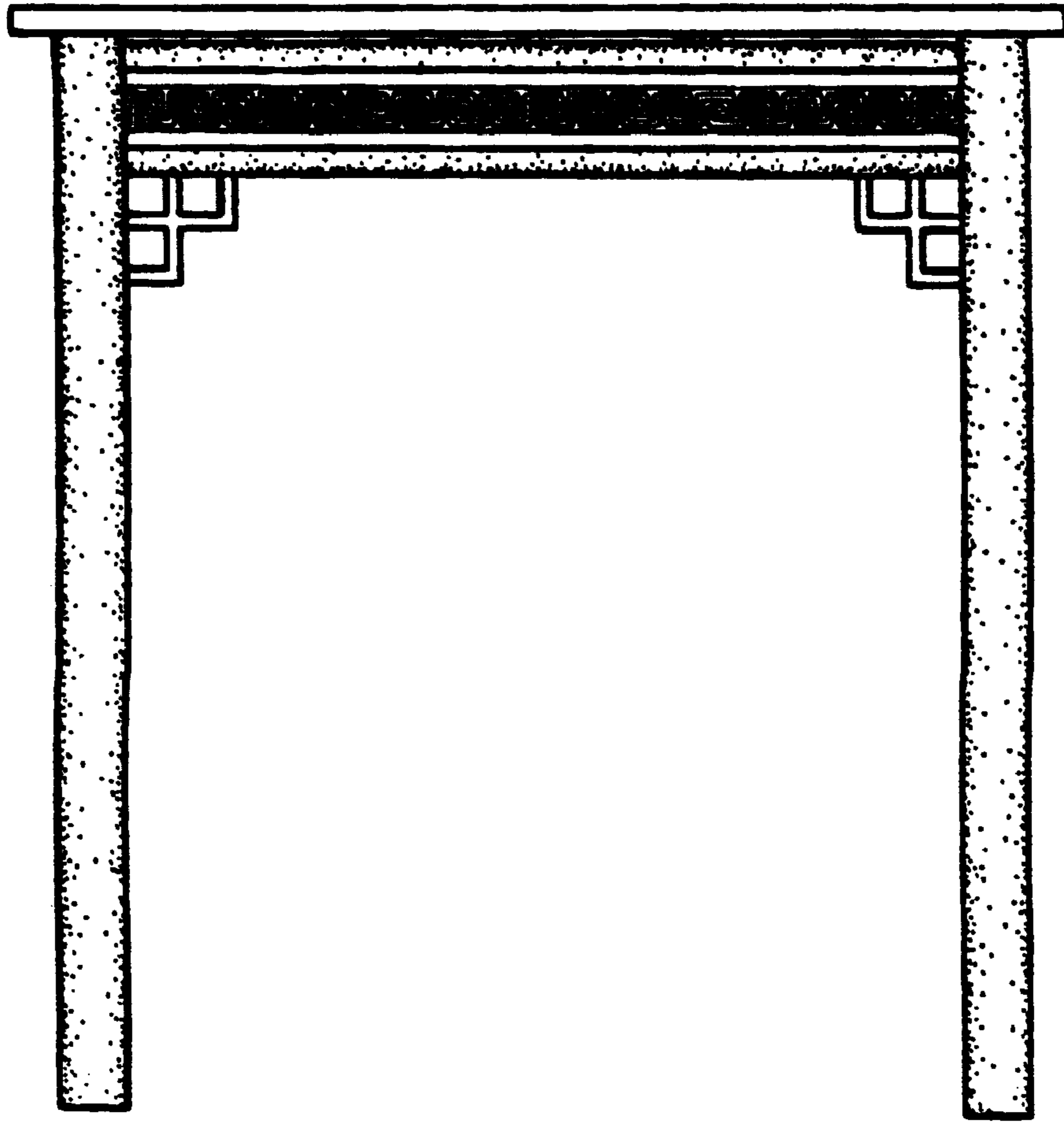


FIG. 5

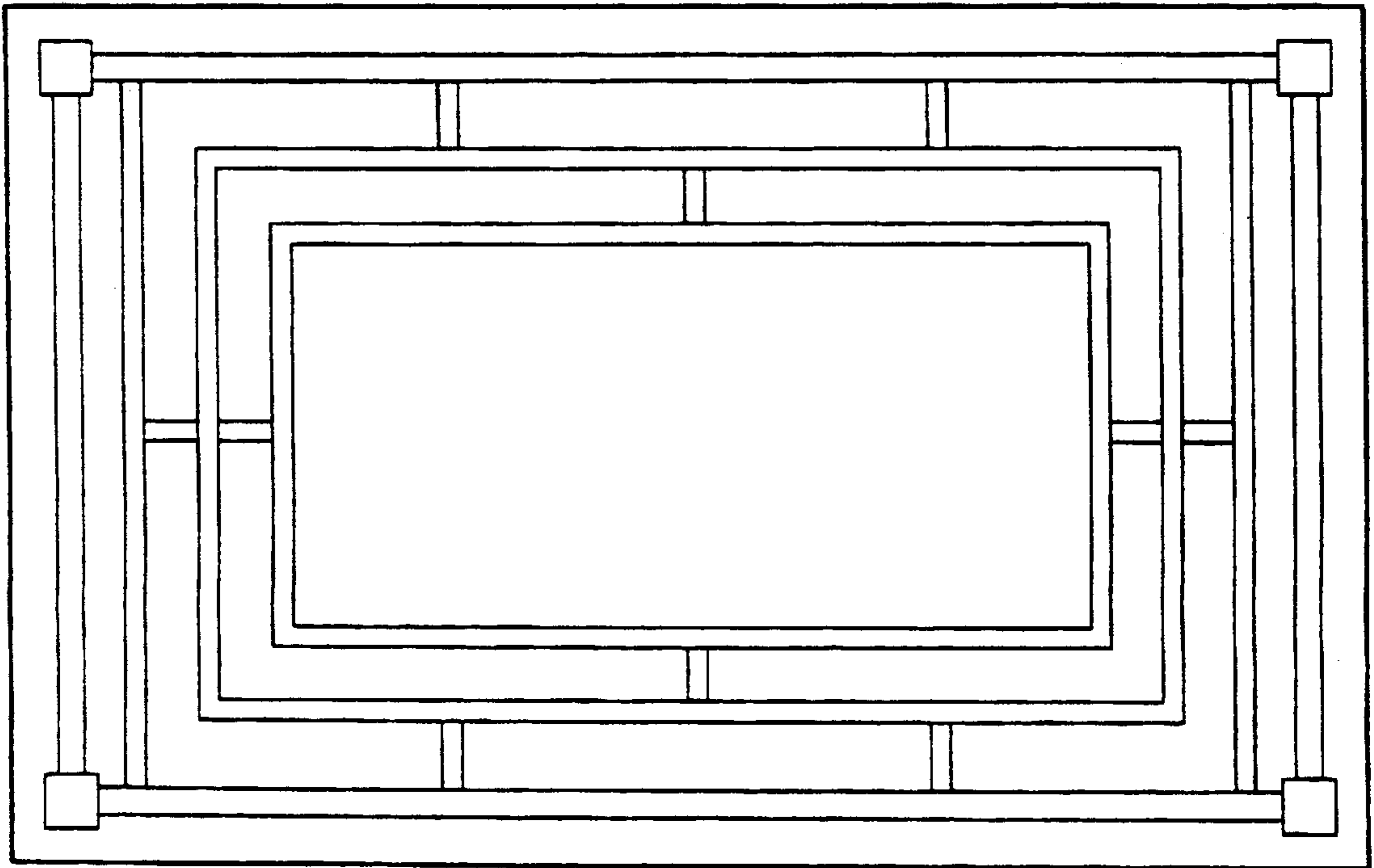


FIG.6

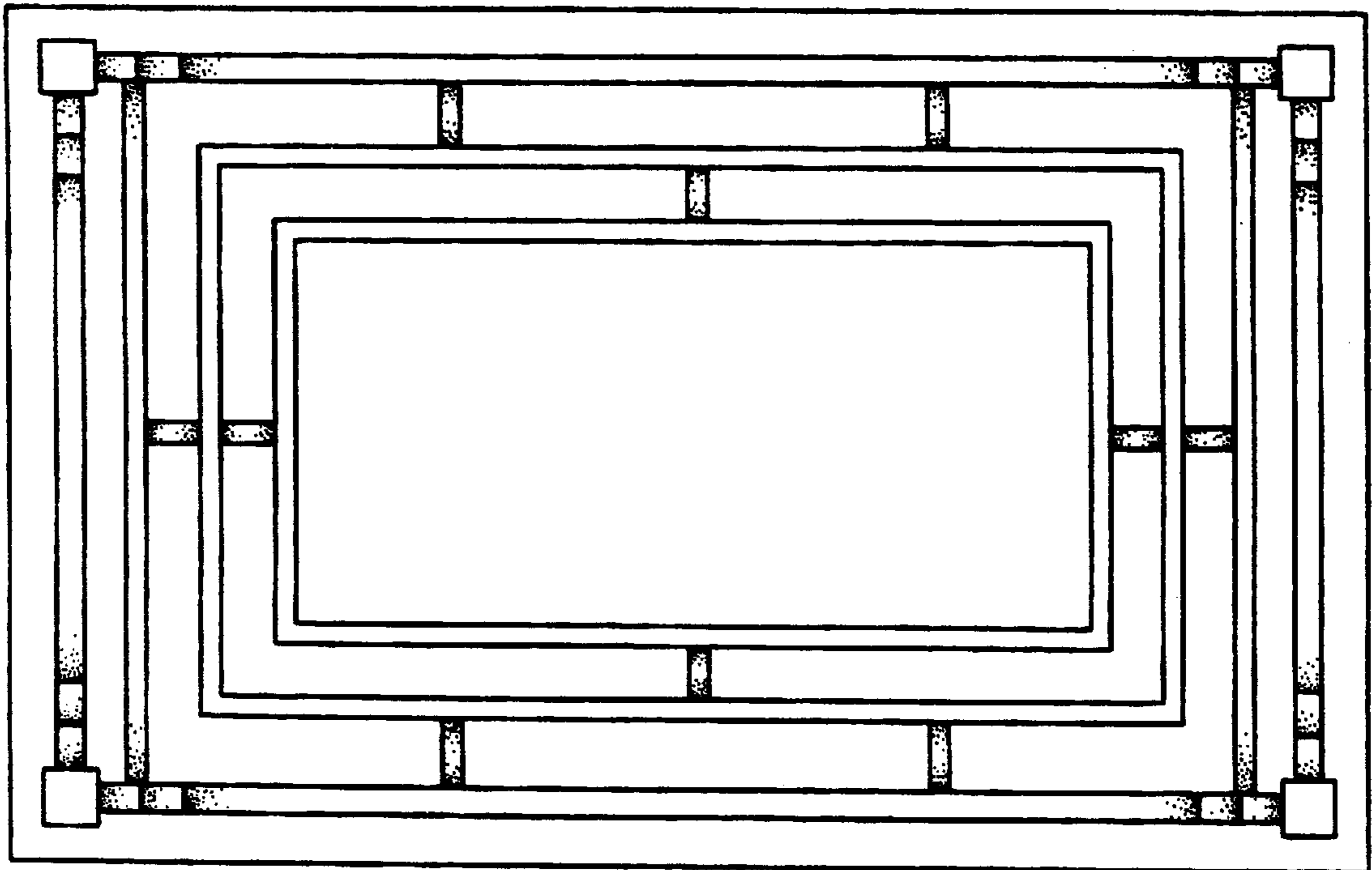


FIG. 7