



US00D447891B1

(12) **United States Design Patent**  
**Wood et al.**

(10) **Patent No.: US D447,891 S**  
(45) **Date of Patent: \*\* Sep. 18, 2001**

(54) **NESTING TABLE ASSEMBLY**

(75) Inventors: **Graham R. Wood**, Glencoe; **Brett Woodley**, Wilmette, both of IL (US)

(73) Assignee: **Opto International, Inc.**, Wheeling, IL (US)

(\*\*) Term: **14 Years**

(21) Appl. No.: **29/127,269**

(22) Filed: **Aug. 2, 2000**

(51) **LOC (7) Cl.** ..... **06-03**

(52) **U.S. Cl.** ..... **D6/480**

(58) **Field of Search** ..... D6/480-489, 495-499,  
D6/429, 430, 477; 108/153.1, 156, 157.1,  
157.17, 161, 64, 91, 92; 248/188, 188.1;  
D34/17

(56) **References Cited**

**U.S. PATENT DOCUMENTS**

D. 104,153	*	4/1937	Wilson	.....	D6/484
D. 284,532	*	7/1986	Vogt	.....	D6/428
5,613,448	*	3/1997	Petty	.....	108/91
6,003,452	*	12/1999	Moore	.....	108/92

\* cited by examiner

*Primary Examiner*—Janice E. Seeger

(74) *Attorney, Agent, or Firm*—Welsh & Katz, Ltd.

(57) **CLAIM**

The ornamental design for a nesting table assembly, as shown and described.

**DESCRIPTION**

FIG. 1 is a perspective view of the nesting table assembly of the subject invention.

FIG. 2 is a front plan view of the upper nesting table of FIG. 1.

FIG. 3 is a rear plan view of the upper nesting table of FIG. 1.

FIG. 4 is a left side view of the upper nesting table of FIG. 1, the opposite side of being a mirror image thereof.

FIG. 5 is a top plan view of the upper nesting table of FIG. 1.

FIG. 6 is a bottom plan view of the upper nesting table of FIG. 1.

FIG. 7 is a front plan view of the middle nesting table of the subject invention of FIG. 1.

FIG. 8 is a rear plan view of the middle nesting table of FIG. 1.

FIG. 9 is a left side view of the middle nesting table of FIG. 1, the opposite side being a mirror image thereof.

FIG. 10 is a top plan view of the middle nesting table of FIG. 1; and,

FIG. 11 is a bottom plan view of the middle nesting table of FIG. 1.

The lower table is substantially identical in design features to the middle table, with the only differences being dimensional.

**1 Claim, 2 Drawing Sheets**

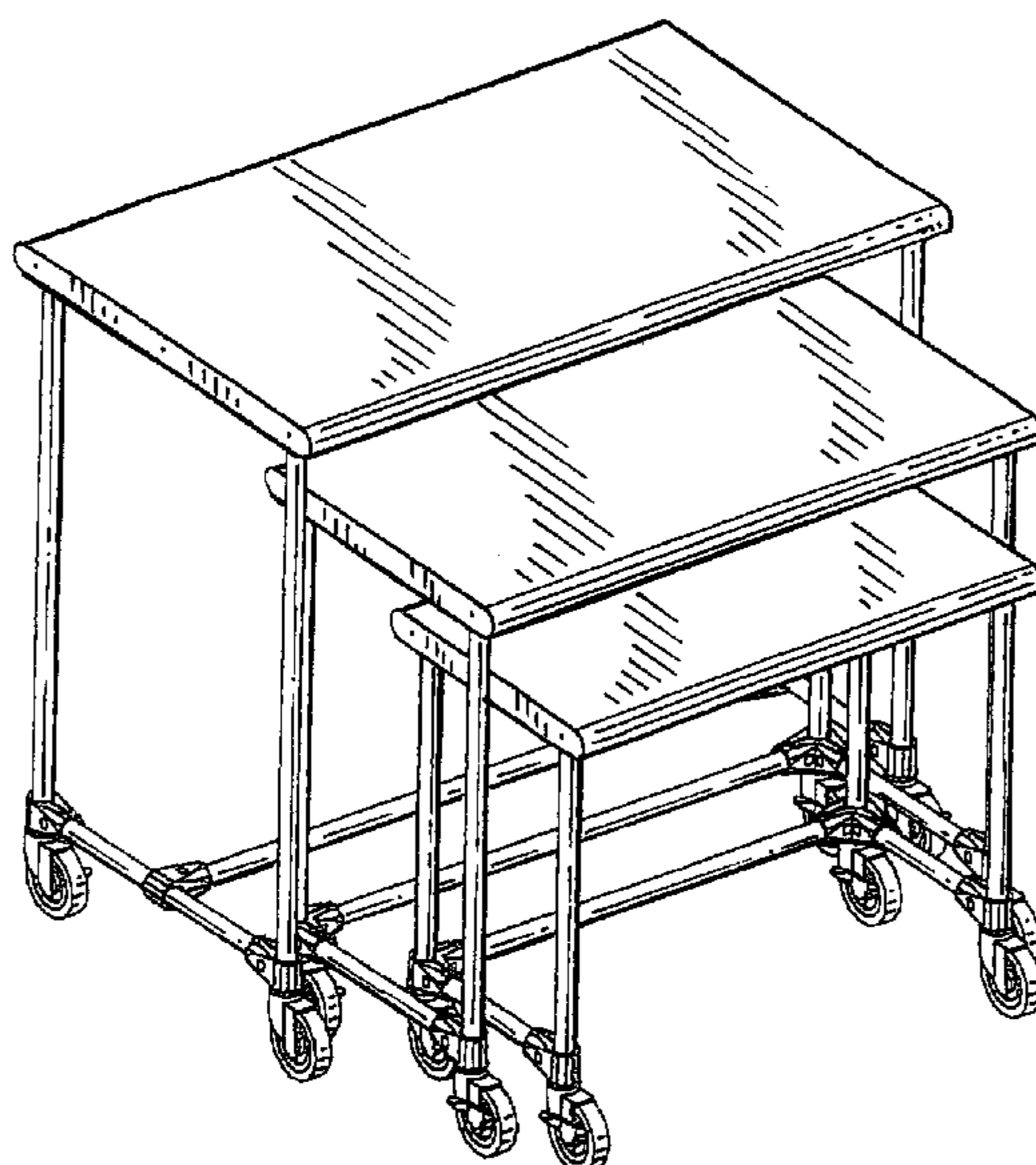


FIG. 1

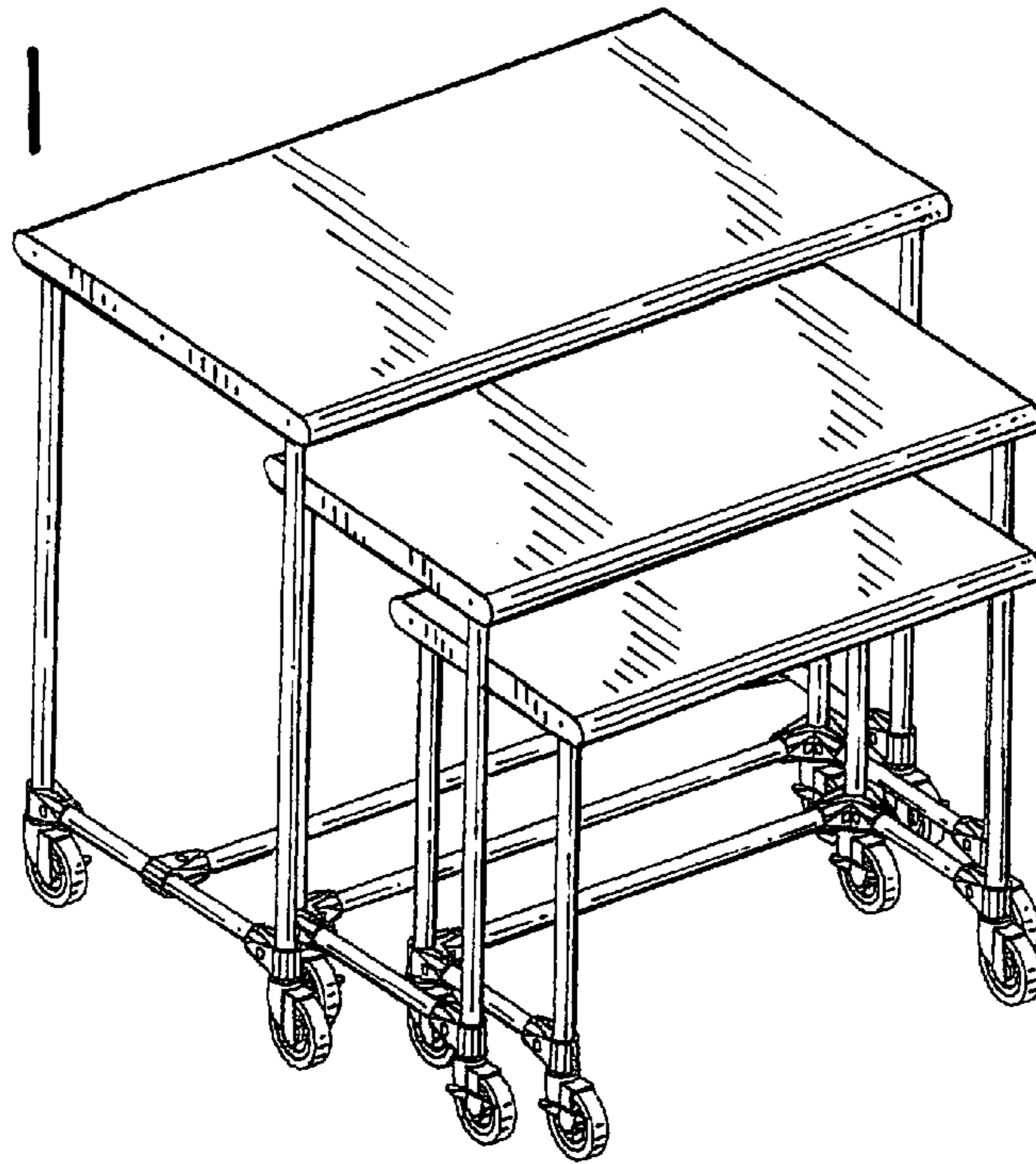


FIG. 2

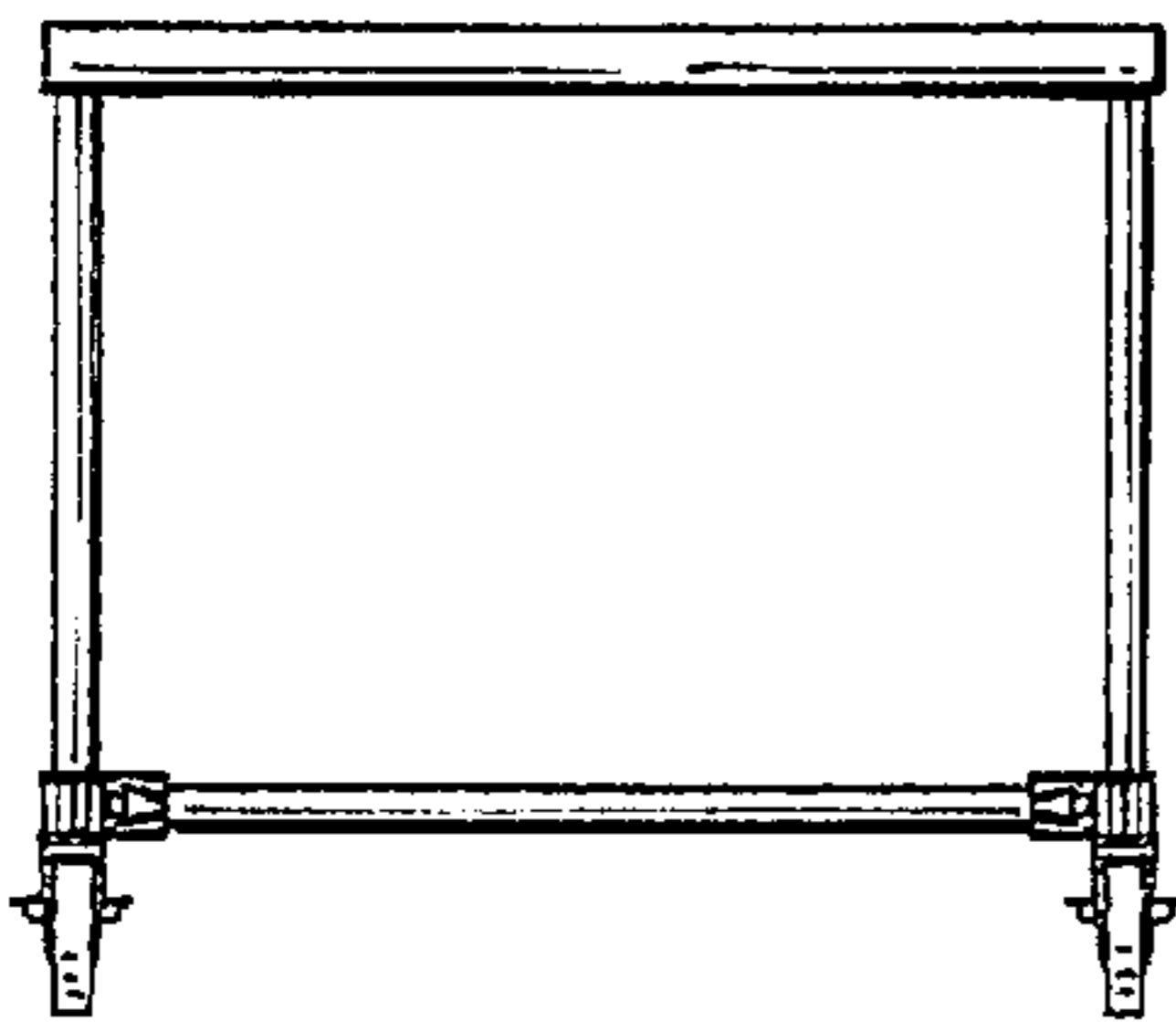


FIG. 3

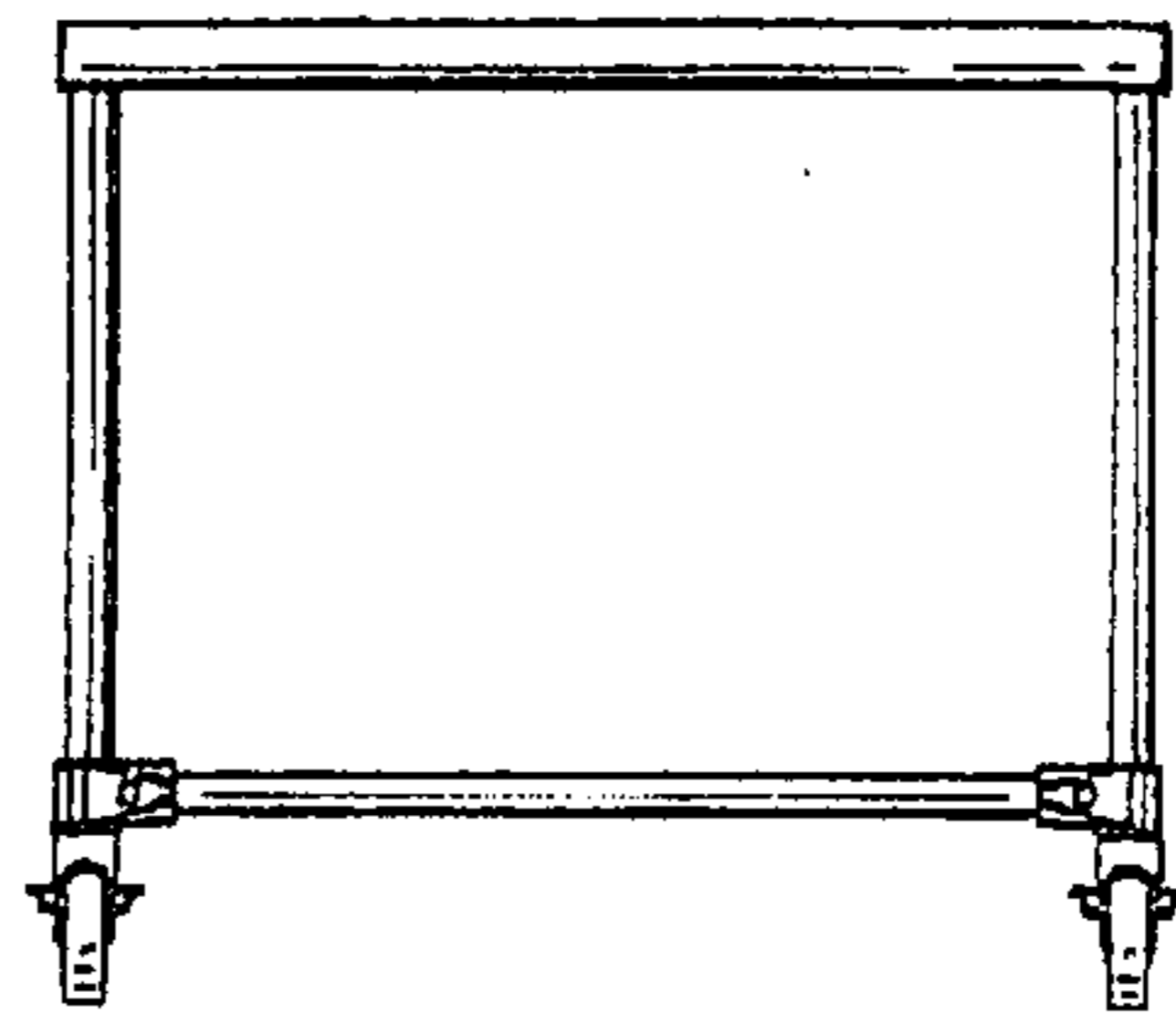


FIG. 4

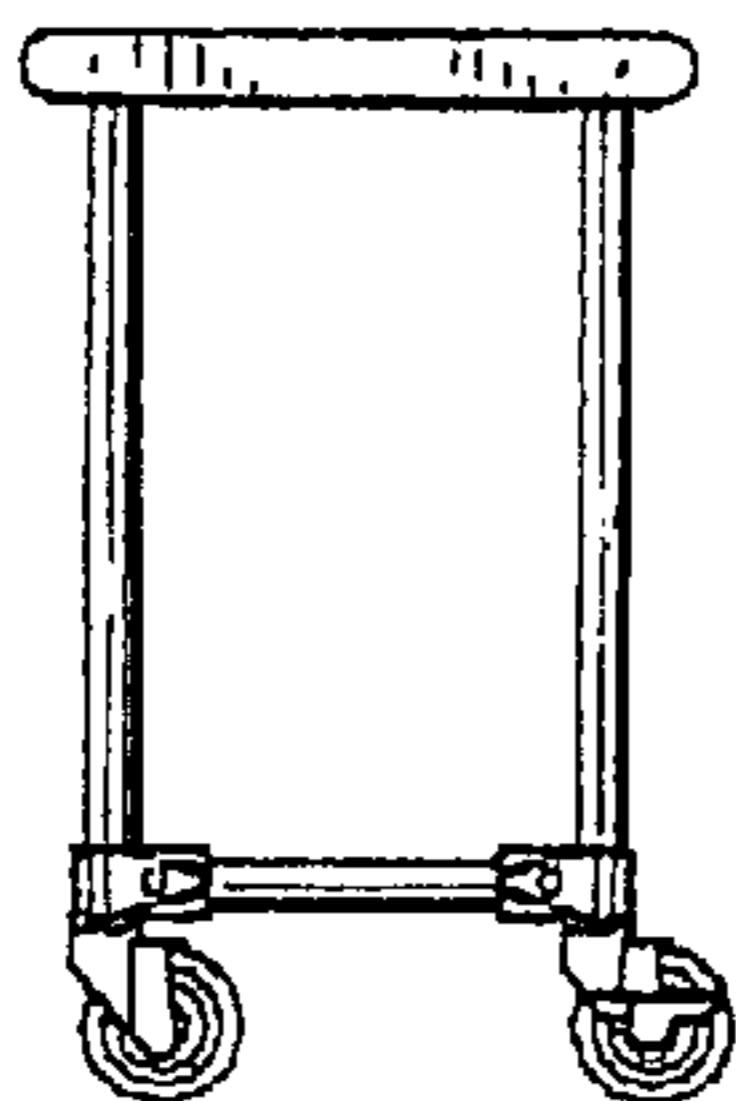


FIG. 5

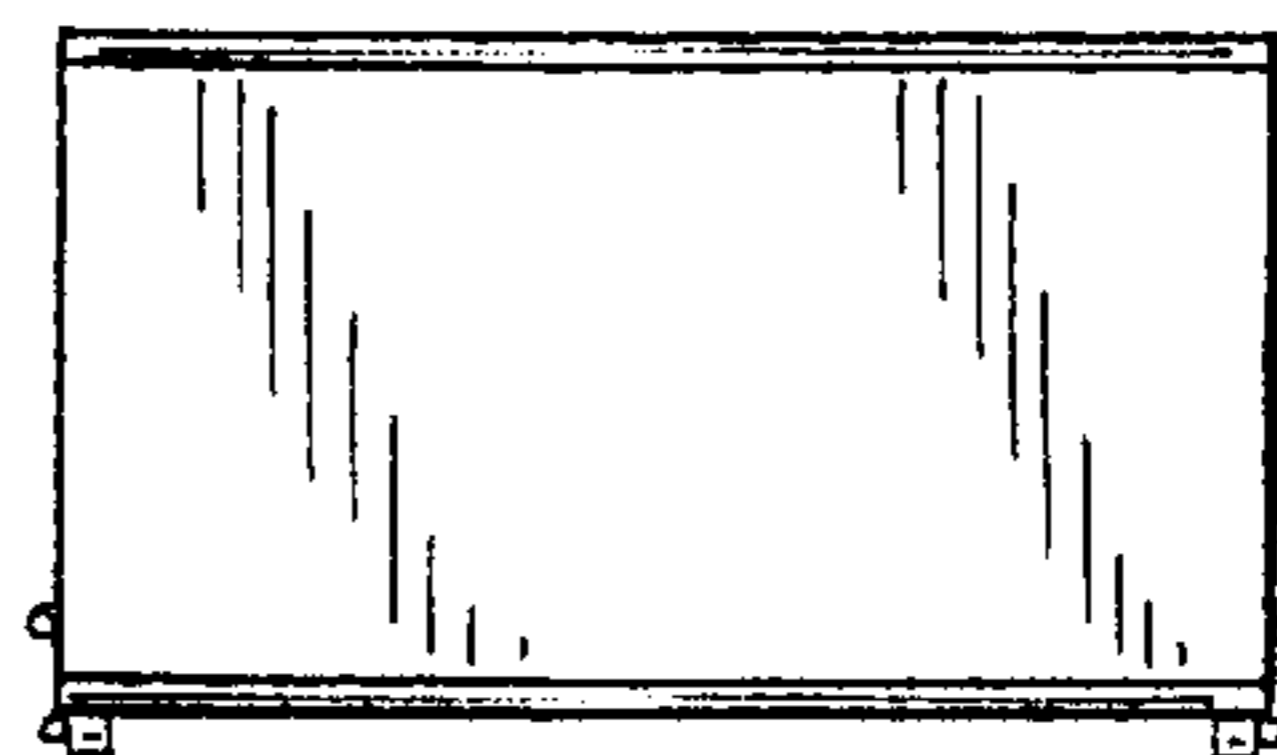


FIG. 6

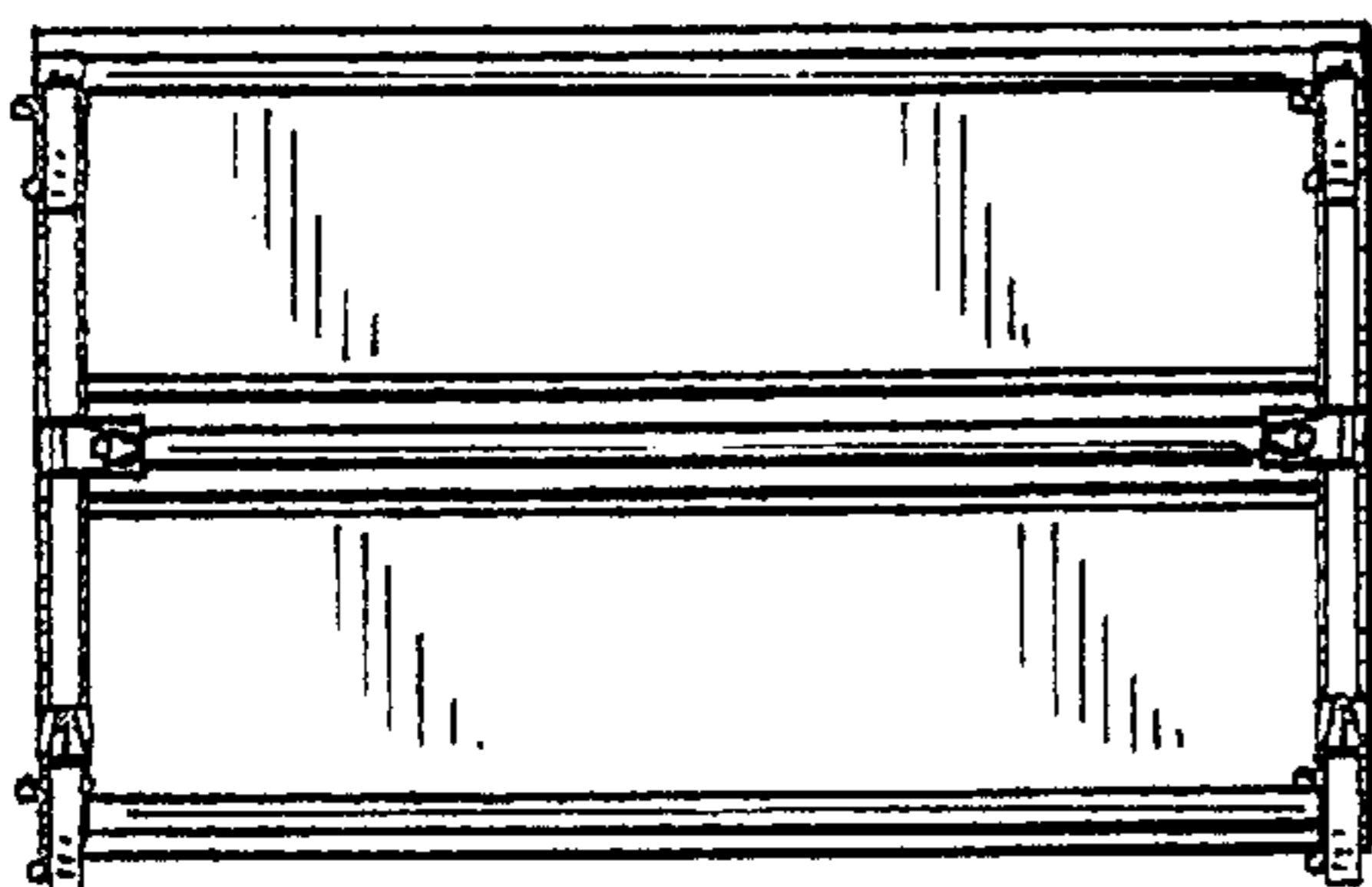


FIG. 7

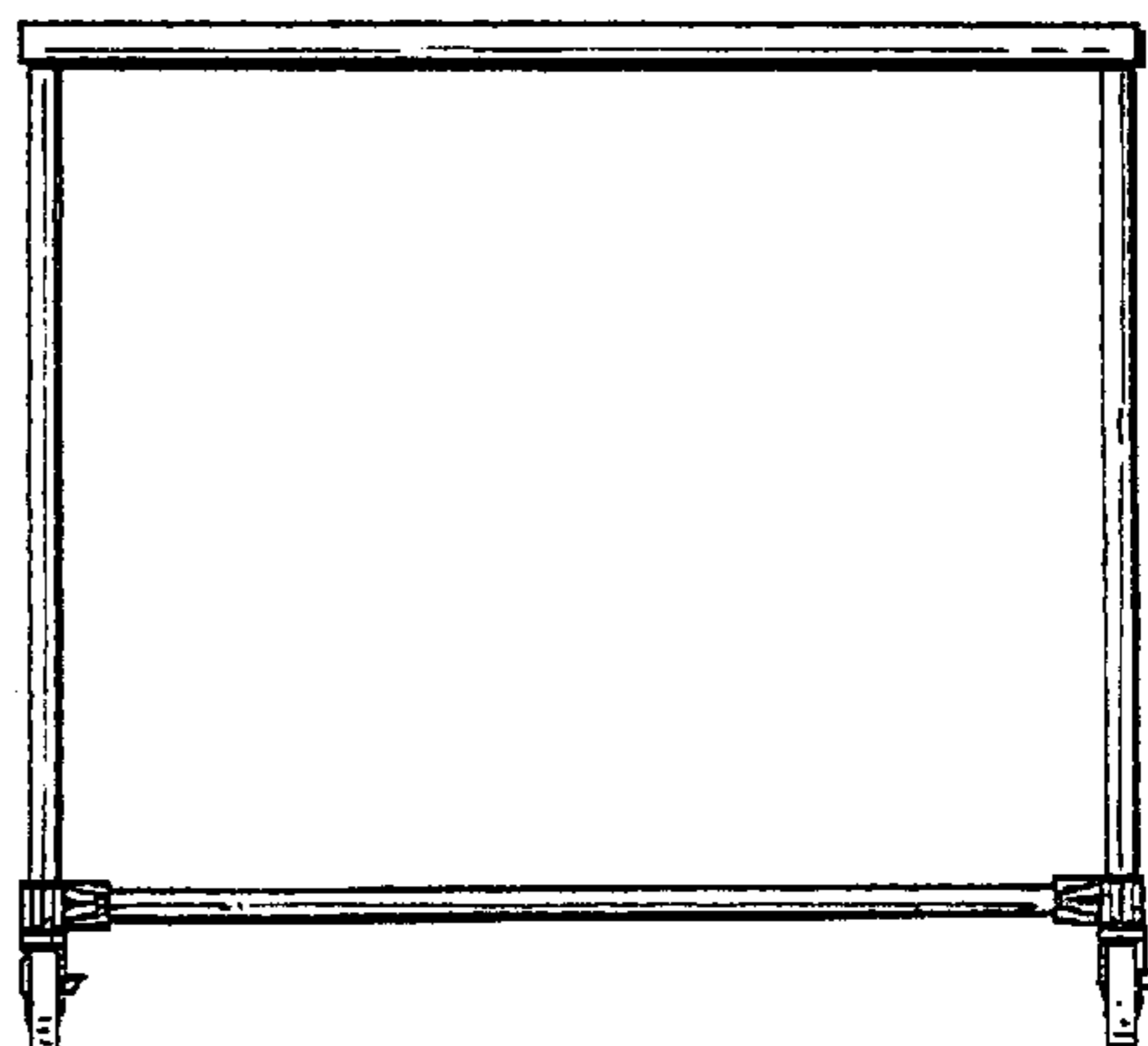


FIG. 8

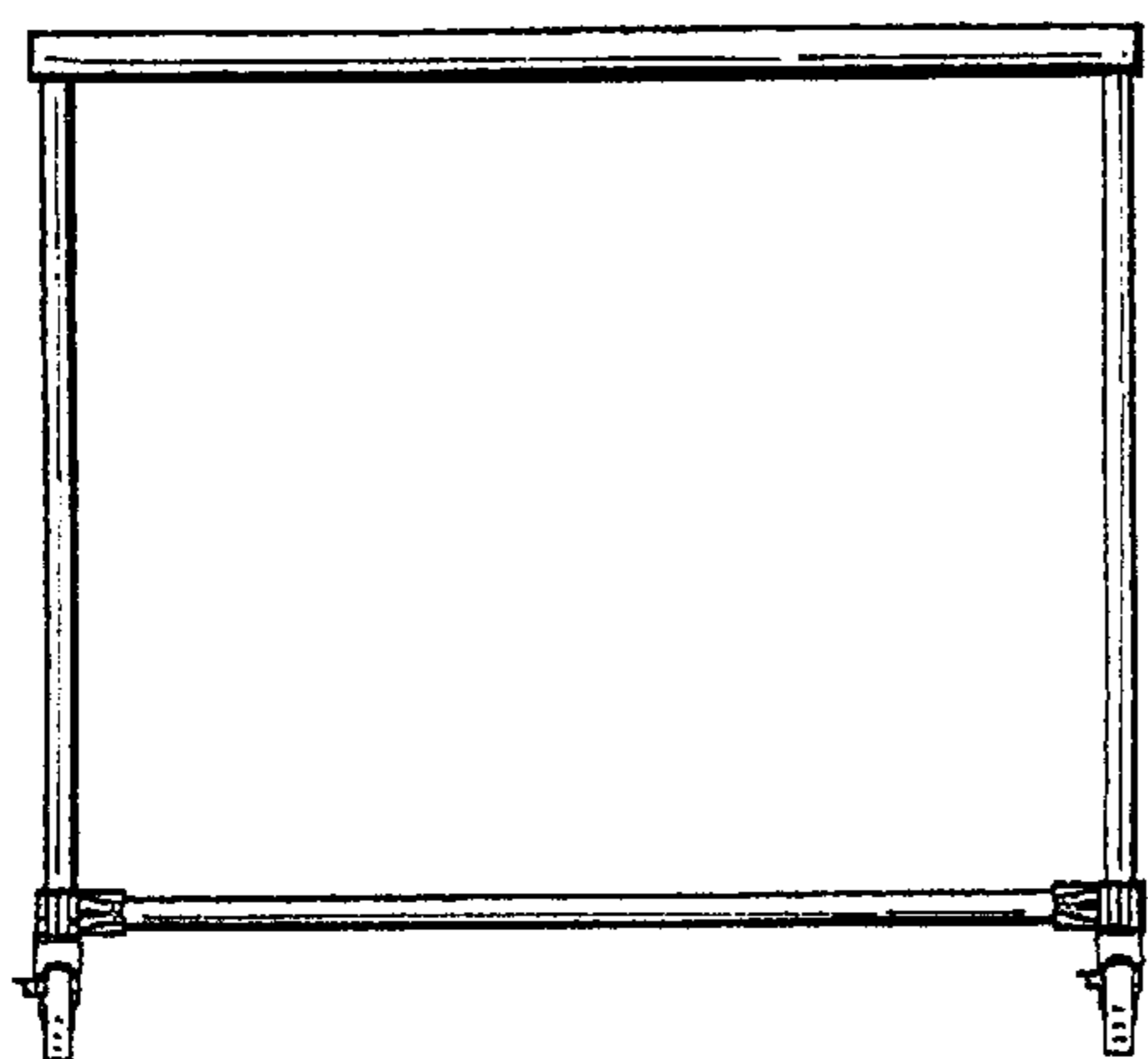


FIG. 9

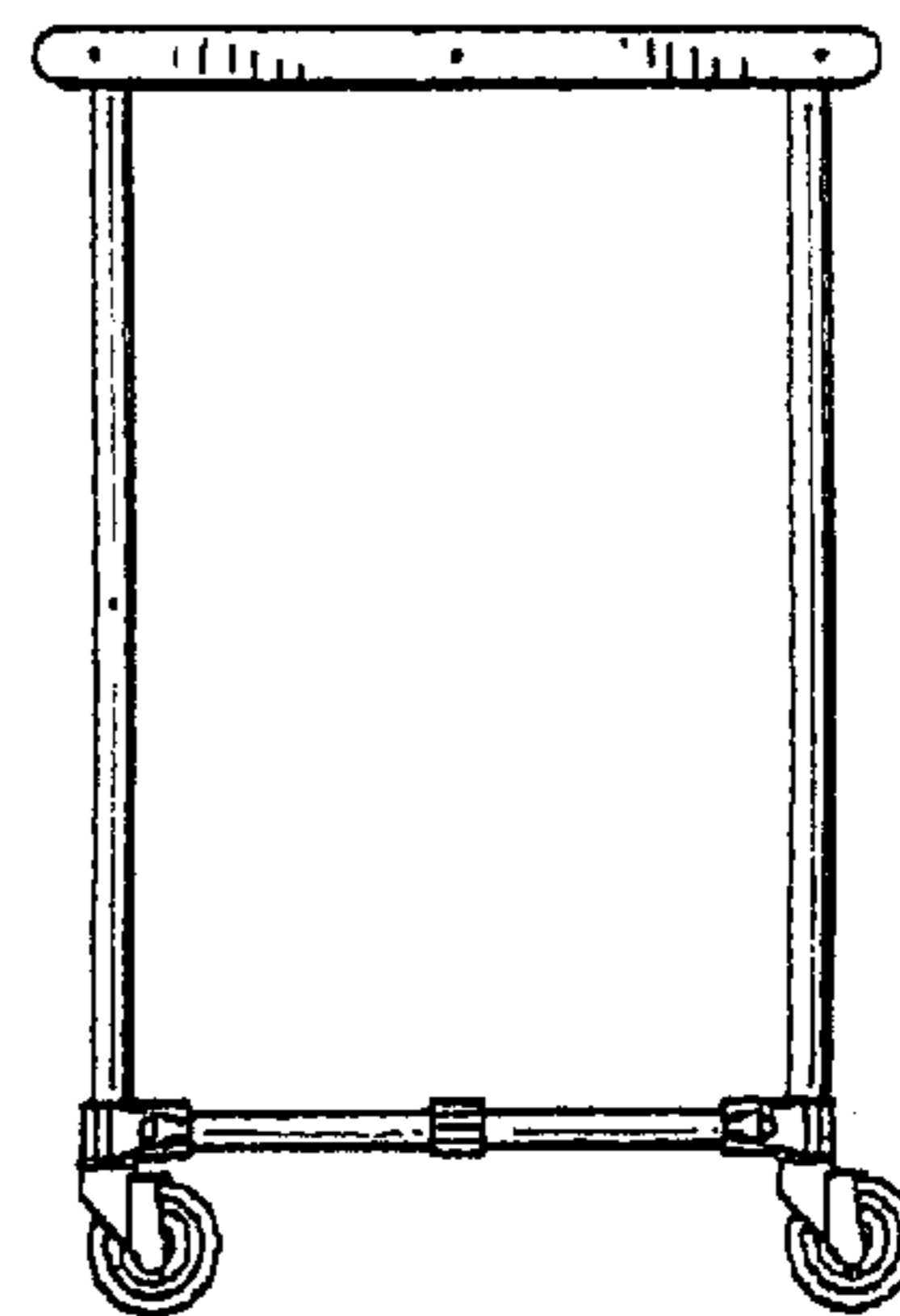


FIG. 10

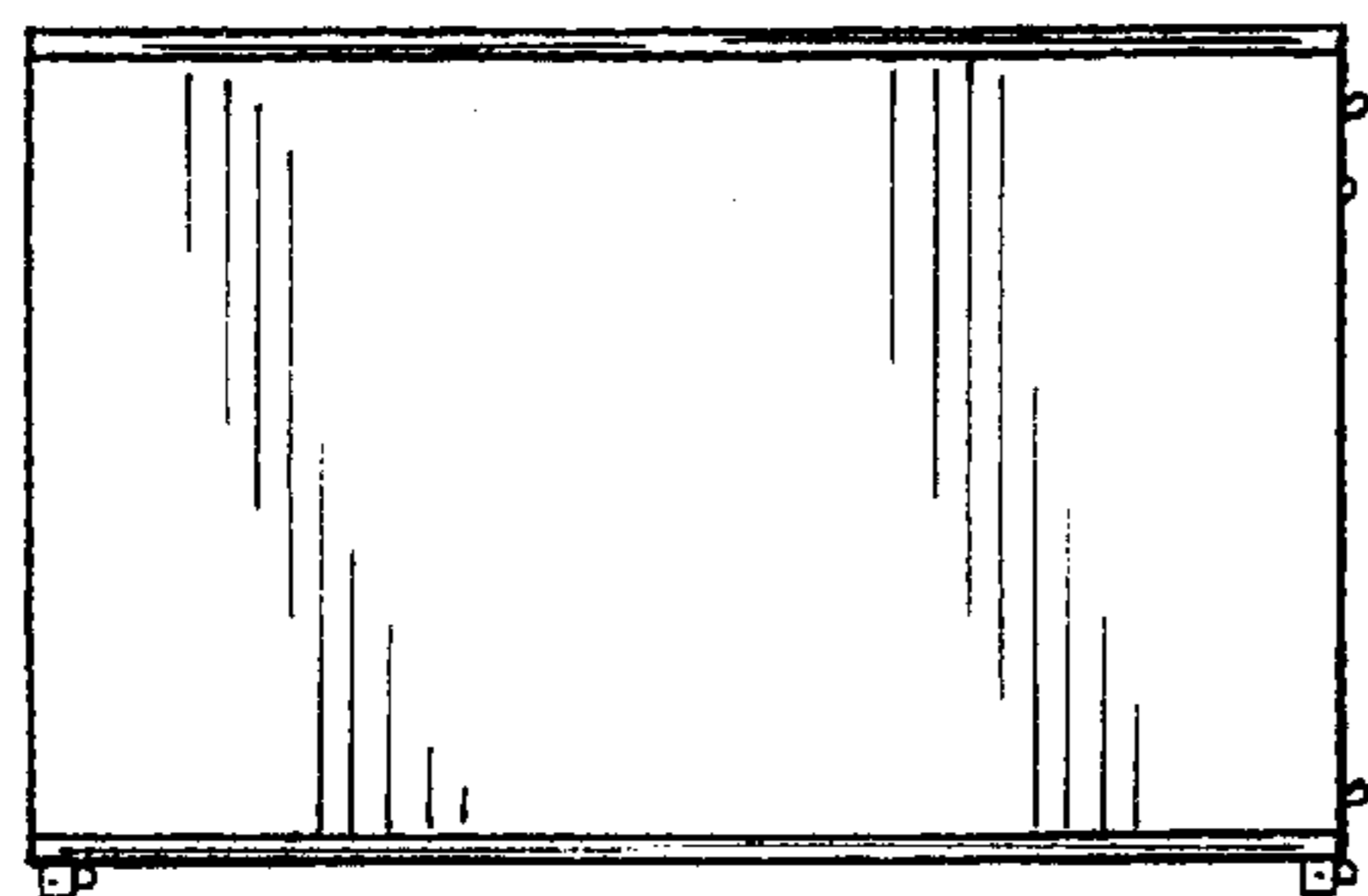


FIG. 11

