



US00D447889B1

(12) **United States Design Patent**
Finlay

(10) **Patent No.:** **US D447,889 S**

(45) **Date of Patent:** **** Sep. 18, 2001**

(54) **SHELVING SYSTEM**

(76) **Inventor:** **Samuel Maurice Finlay**, 99 Somerset Road, Knowle, Bristol BS4 2HX (GB)

(**) **Term:** **14 Years**

(21) **Appl. No.:** **29/130,298**

(22) **Filed:** **Sep. 29, 2000**

(51) **LOC (7) Cl.** **06-04**

(52) **U.S. Cl.** **D6/474**

(58) **Field of Search** D6/455, 474, 476,
D6/477, 479; 108/59, 64, 92-98

(56) **References Cited**

U.S. PATENT DOCUMENTS

D. 107,668	*	12/1937	Wadsworth et al.	D11/118
D. 148,859	*	3/1948	Irwin	D6/460
D. 186,229	*	9/1959	Beaudoin	D11/118
D. 438,729	*	3/2001	Sikora	D6/477 X
1,577,207	*	3/1926	Dieperink-Langeris	428/8
4,026,220		5/1977	Schuring, Jr.		
4,072,235		2/1978	Bermudez Munoz		
4,345,526		8/1982	Streit		

FOREIGN PATENT DOCUMENTS

2335594 9/1999 (GB) .

WO 97/43551 11/1997 (WO) .

* cited by examiner

Primary Examiner—Dominic Simone
(74) *Attorney, Agent, or Firm*—Marshall, O’Toole, Gerstein, Murray & Borun

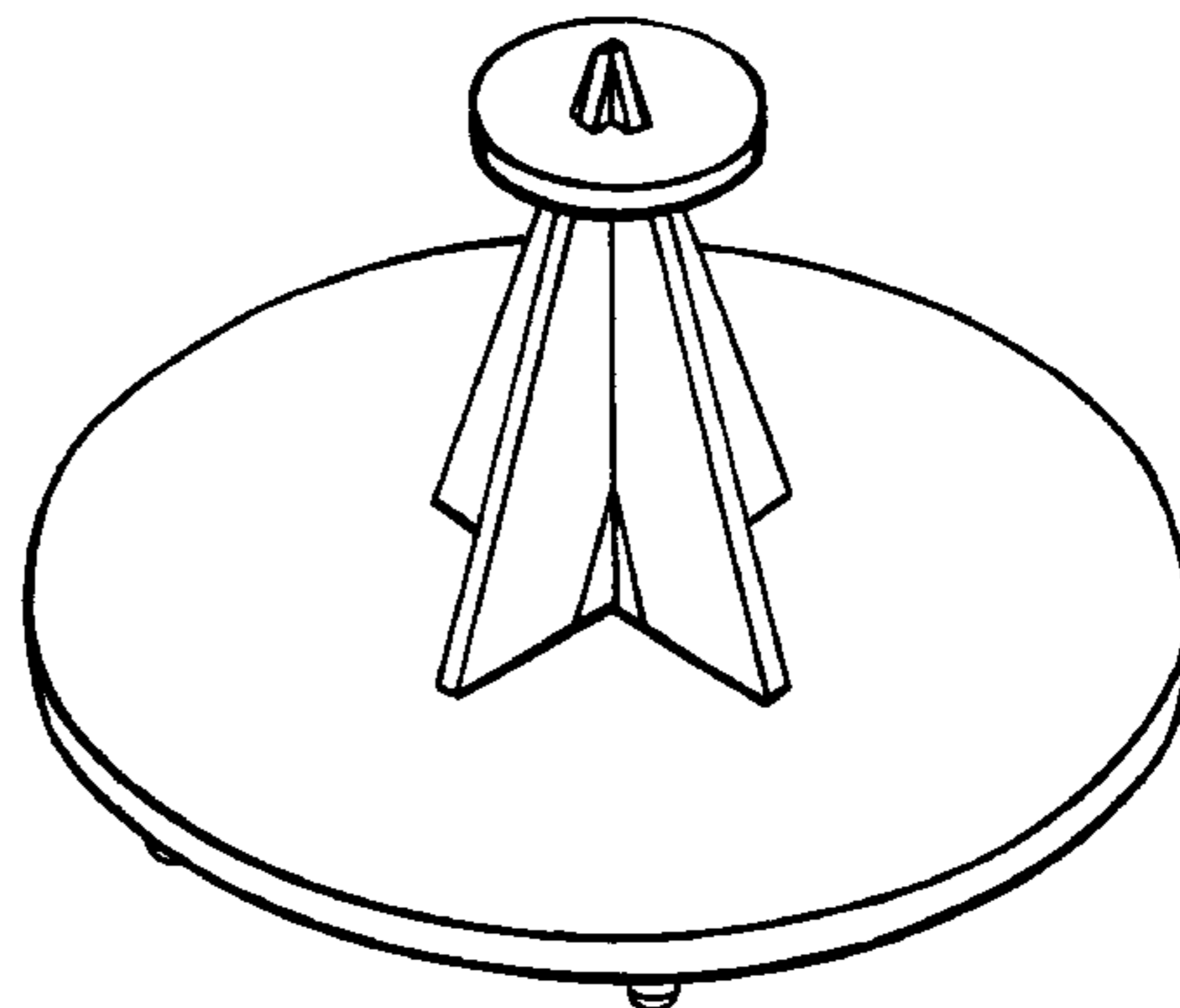
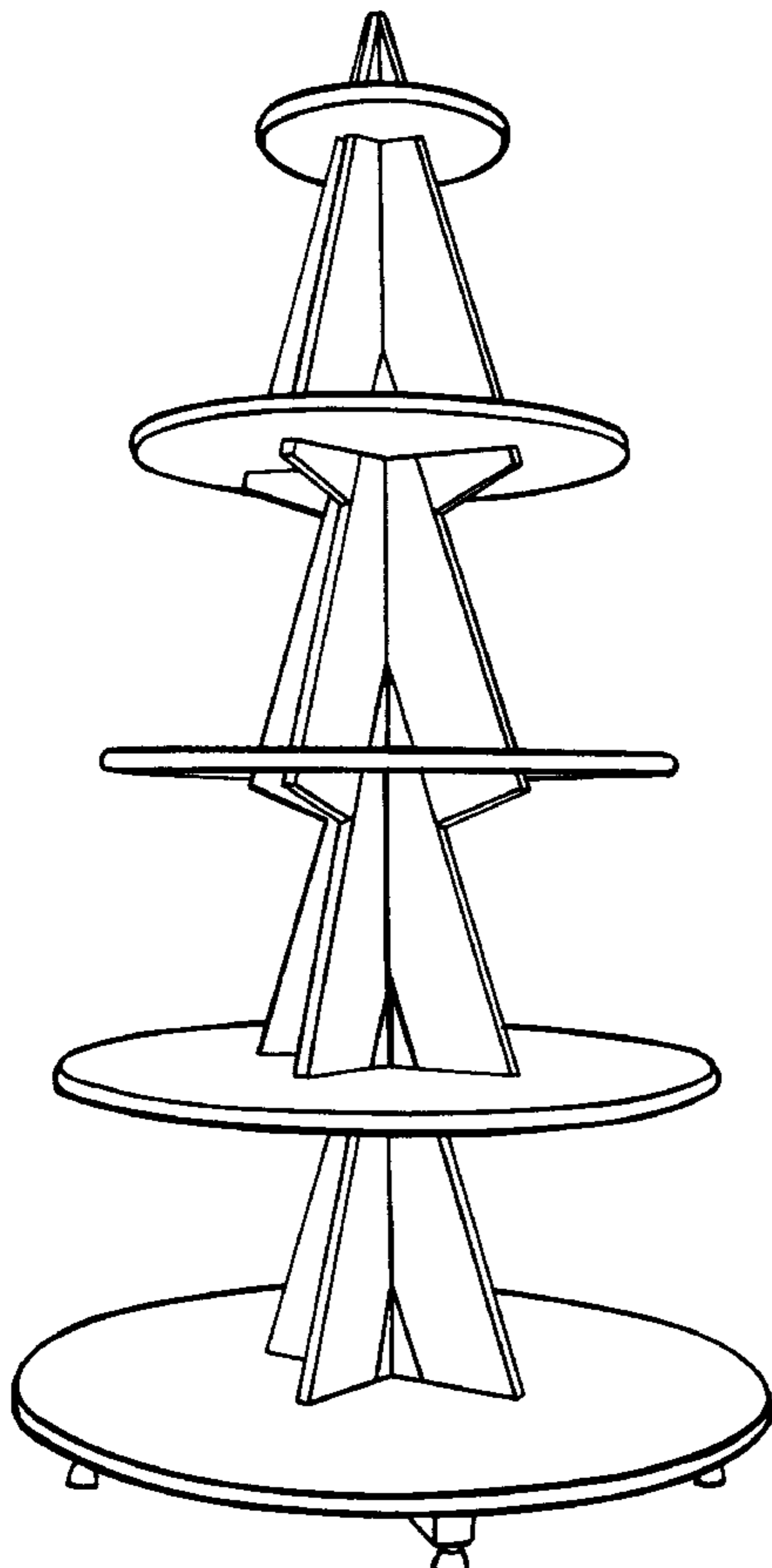
(57) **CLAIM**

The ornamental design for a shelving system, as shown and described.

DESCRIPTION

FIG. 1 is a perspective view of a shelving system showing my new design;
FIG. 2 is a side elevational view thereof, the opposite side being identical;
FIG. 3 is a top plan view thereof;
FIG. 4 is a bottom plan view thereof;
FIG. 5 is a perspective view of a second embodiment of FIG. 1;
FIG. 6 is a side elevational view of FIG. 5, the opposite side being identical;
FIG. 7 is a top plan view of FIG. 5; and,
FIG. 8 is a bottom plan view of FIG. 5.

1 Claim, 5 Drawing Sheets



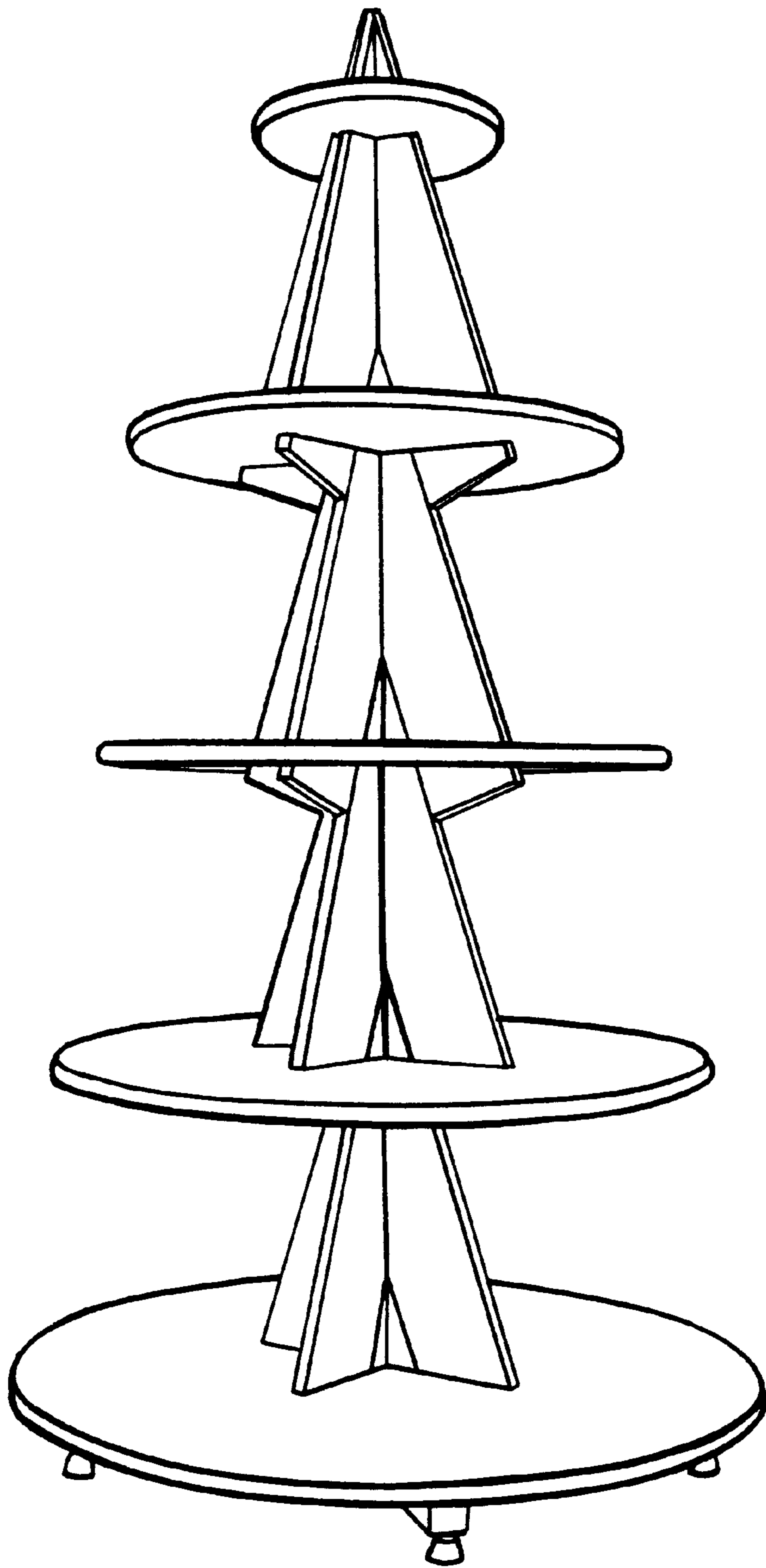


FIG. 1

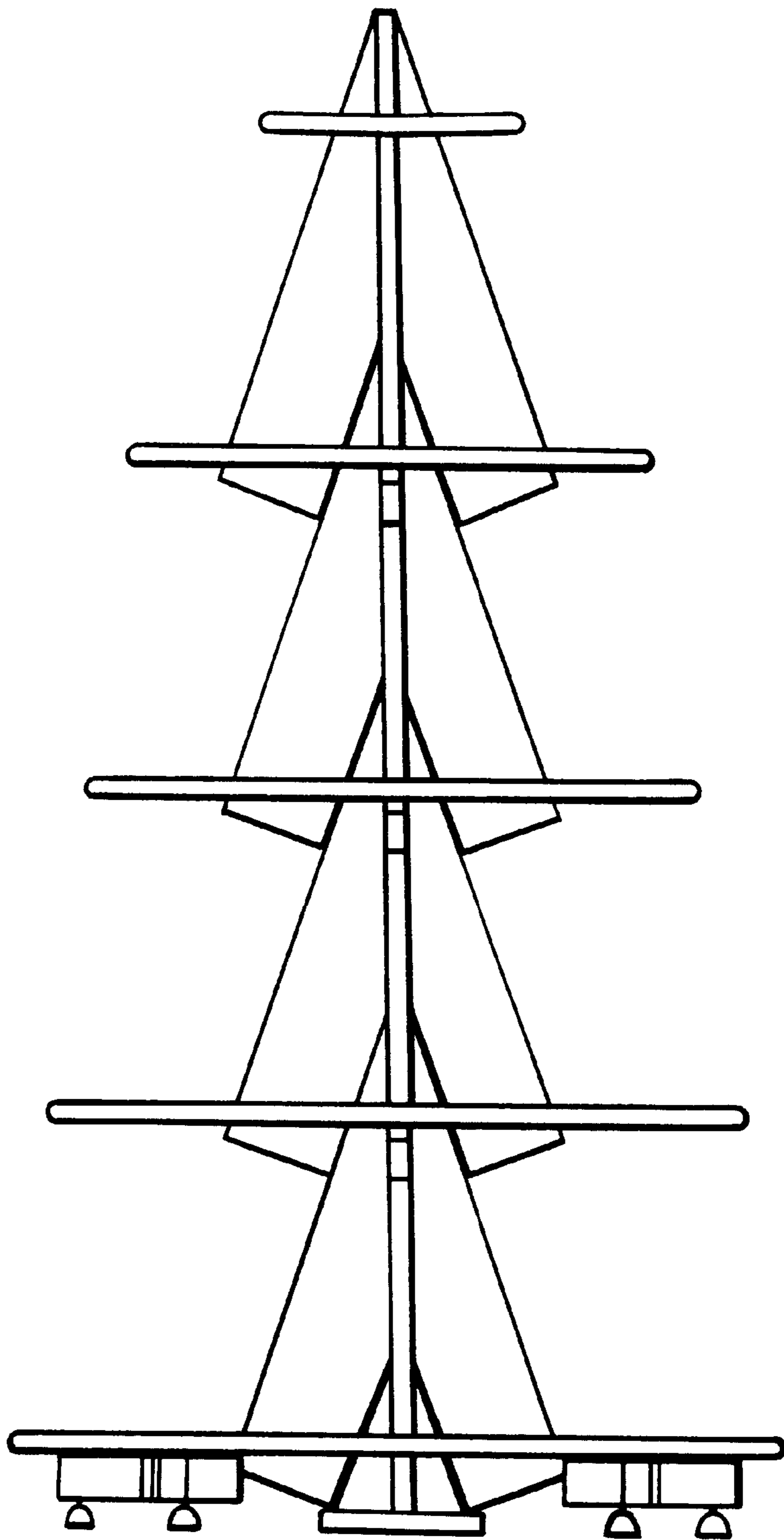


FIG. 2

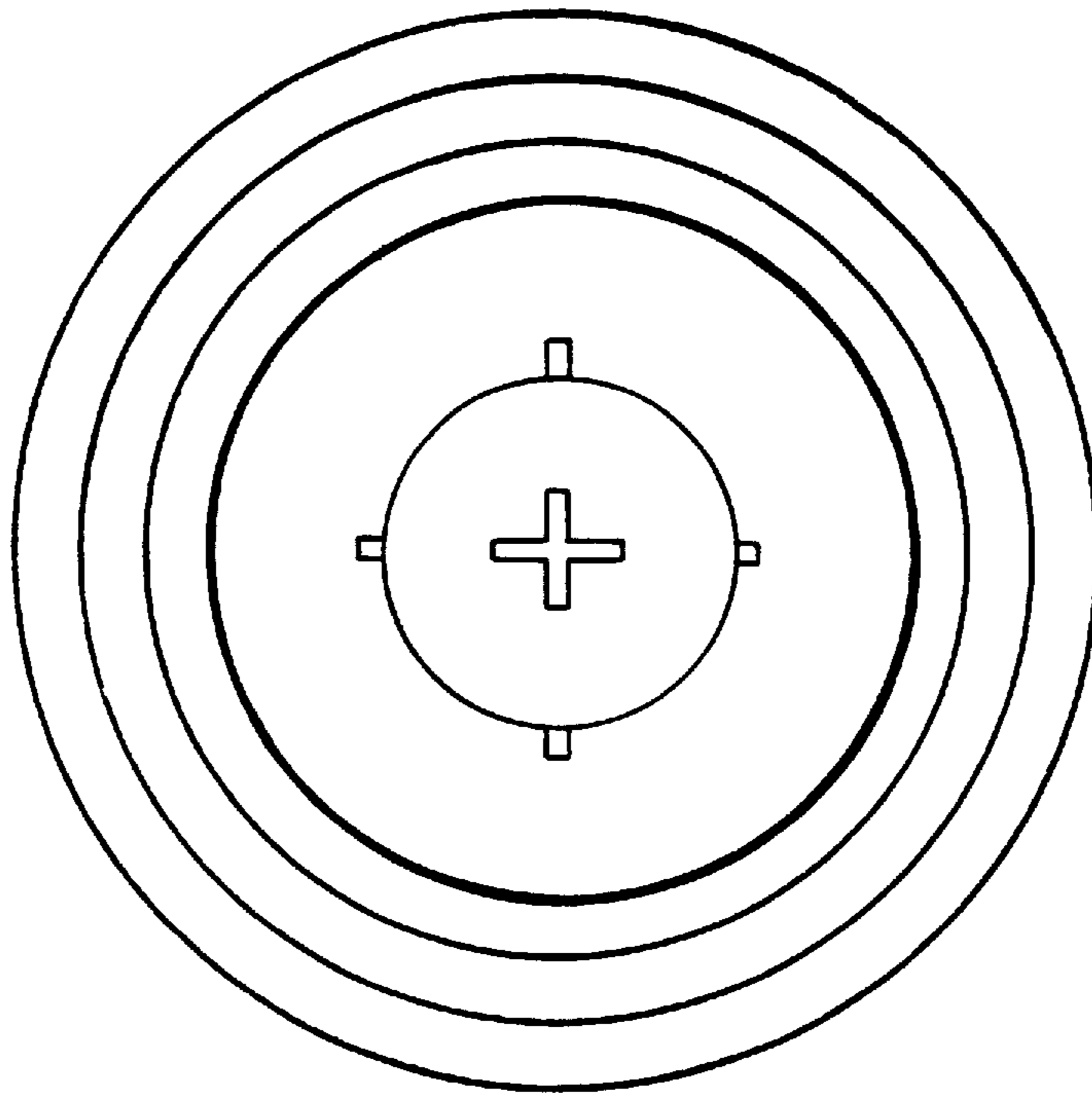


FIG. 3

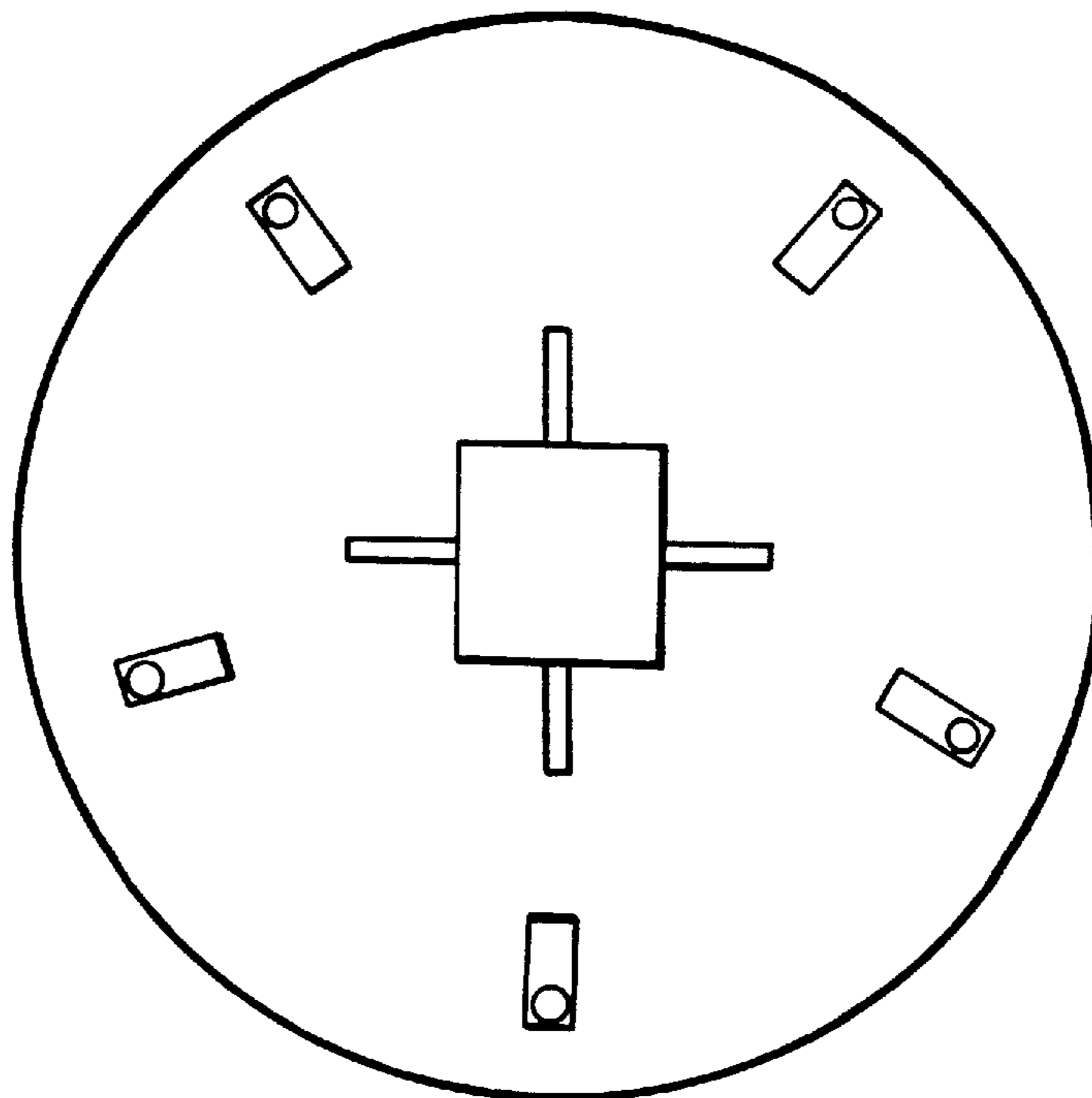


FIG. 4

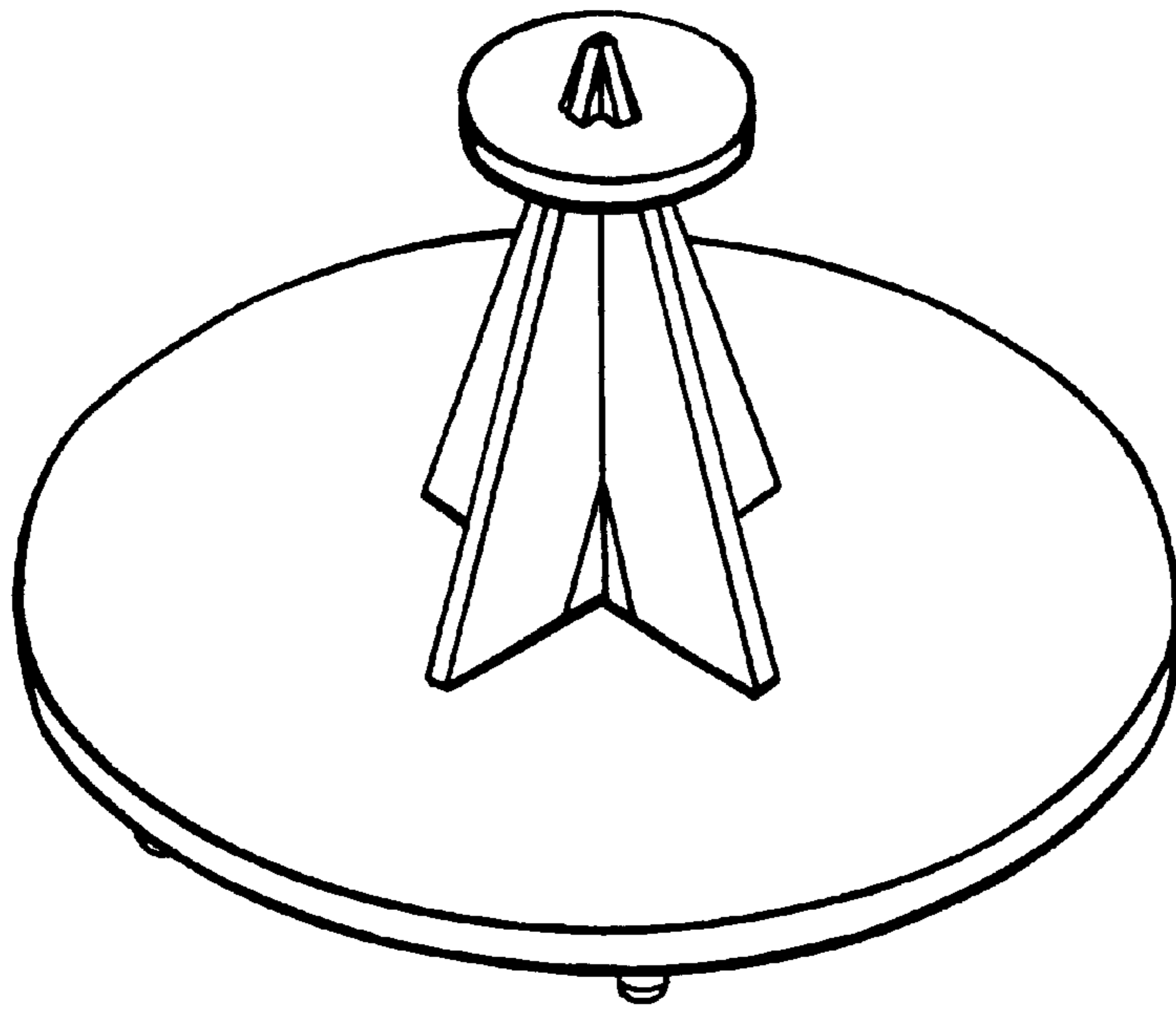


FIG. 5

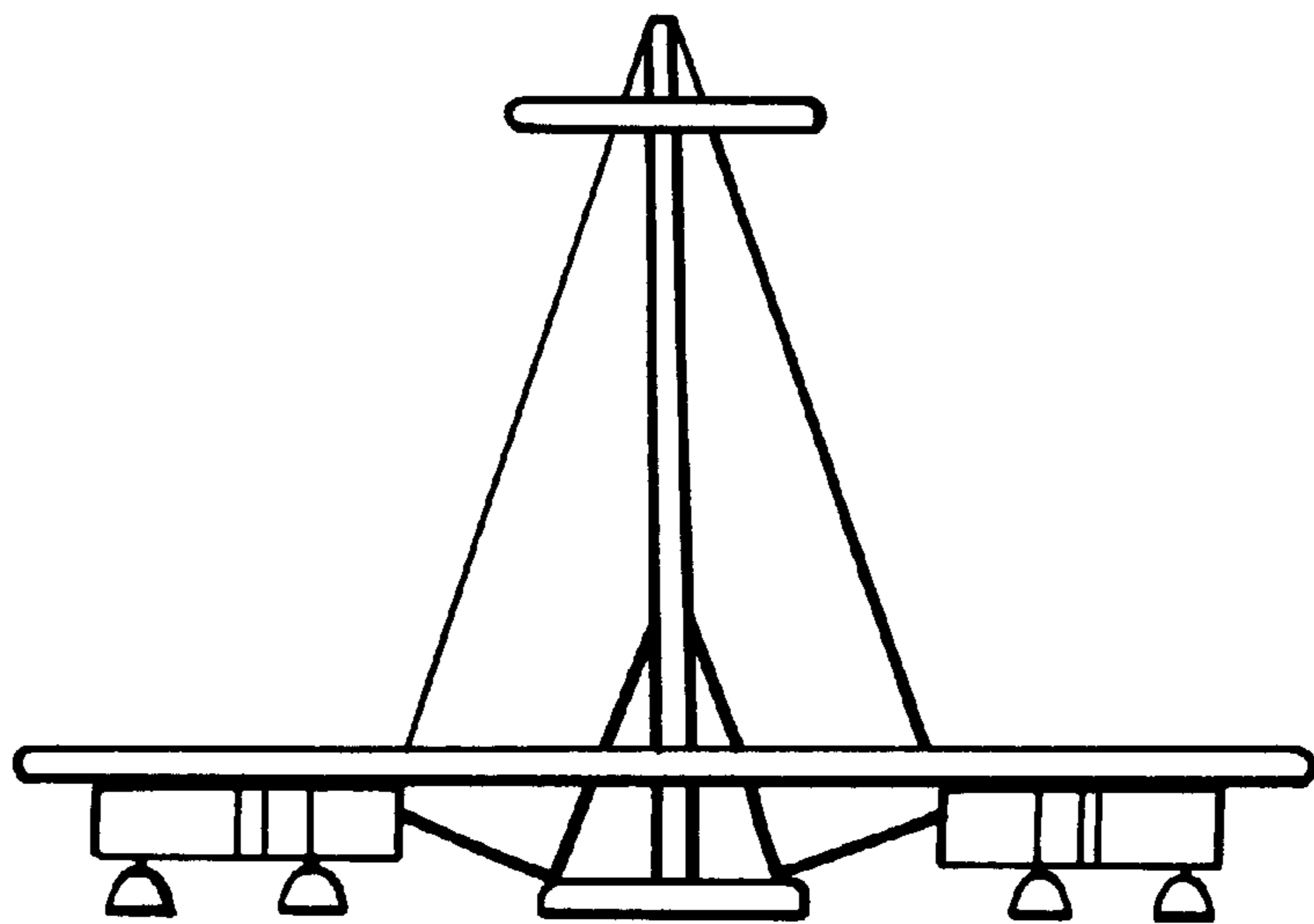


FIG. 6

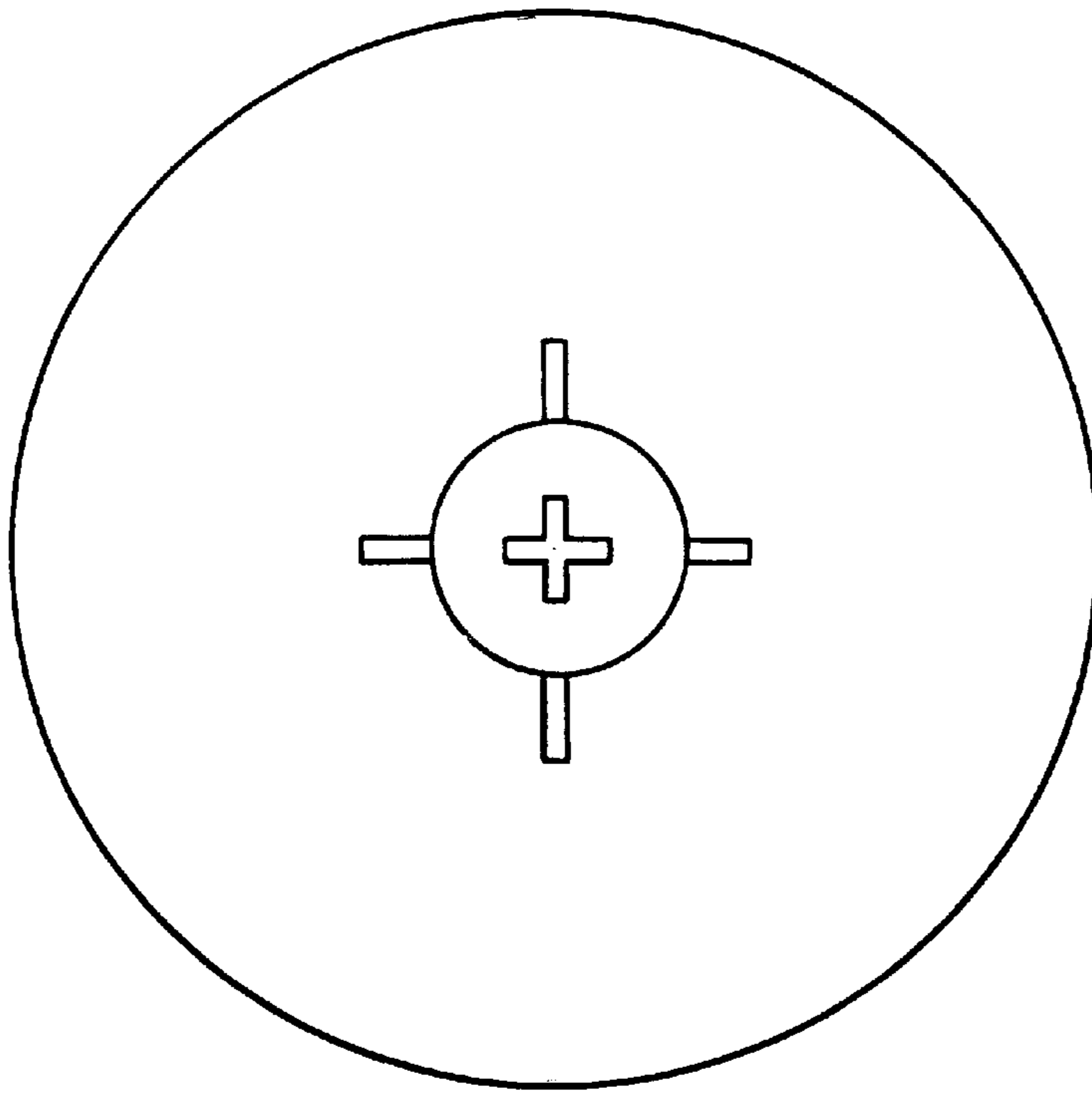


FIG. 7

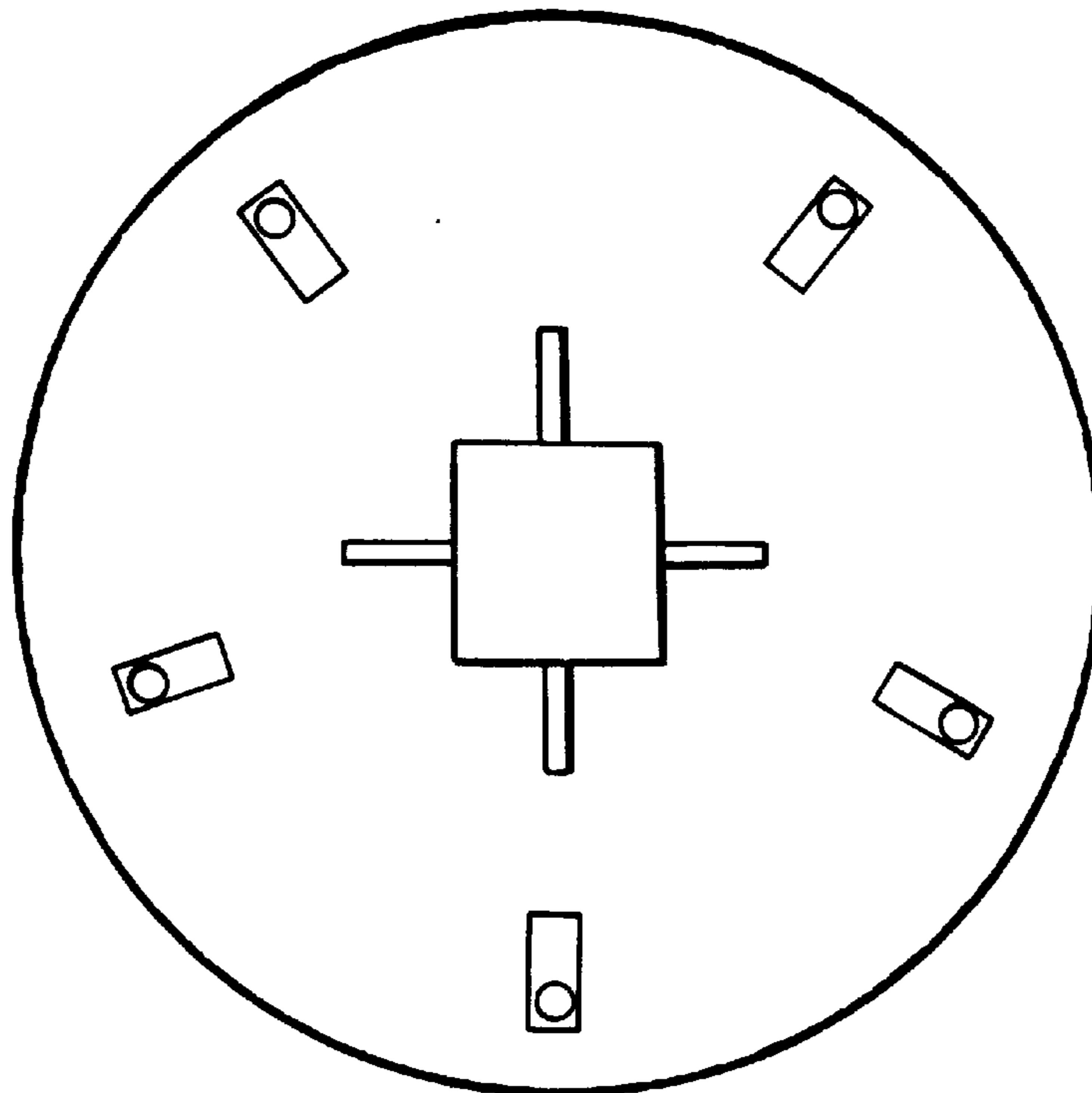


FIG. 8