



US00D447888B1

(12) **United States Design Patent**  
**Chao**

(10) **Patent No.:** **US D447,888 S**

(45) **Date of Patent:** **\*\* Sep. 18, 2001**

(54) **CART FOR EXHIBITING PISTOL NOZZLES**

3,602,370 \* 8/1971 Jerch et al. .... 211/70.6  
5,388,709 \* 2/1995 Adams ..... 211/70.6

(76) Inventor: **Hui-Chen Chao**, 75, Liao Tsuo Hsiang,  
Liao Tsuo Li, Ku Kang Chen, Chang  
Hua Hsien (TW)

\* cited by examiner

(\*\*) Term: **14 Years**

*Primary Examiner*—Dominic Simone  
(74) *Attorney, Agent, or Firm*—Harrison & Egbert

(21) Appl. No.: **29/131,868**

(57) **CLAIM**

(22) Filed: **Oct. 30, 2000**

I claim the ornamental design for a cart for exhibiting pistol  
nozzles, as shown and described.

(51) **LOC (7) Cl.** ..... **06-04**

**DESCRIPTION**

(52) **U.S. Cl.** ..... **D6/462; D6/467**

(58) **Field of Search** ..... D6/396, 444, 462,  
D6/466; D20/10; 211/15.1, 70.6, 60.1

FIG. 1 is an upper perspective view of the cart for exhibiting  
pistol nozzles showing my design.

FIG. 2 is a front view thereof;

FIG. 3 is a back view thereof;

FIG. 4 is a side view thereof;

FIG. 5 is an opposite side view thereof;

FIG. 6 is a top view thereof; and,

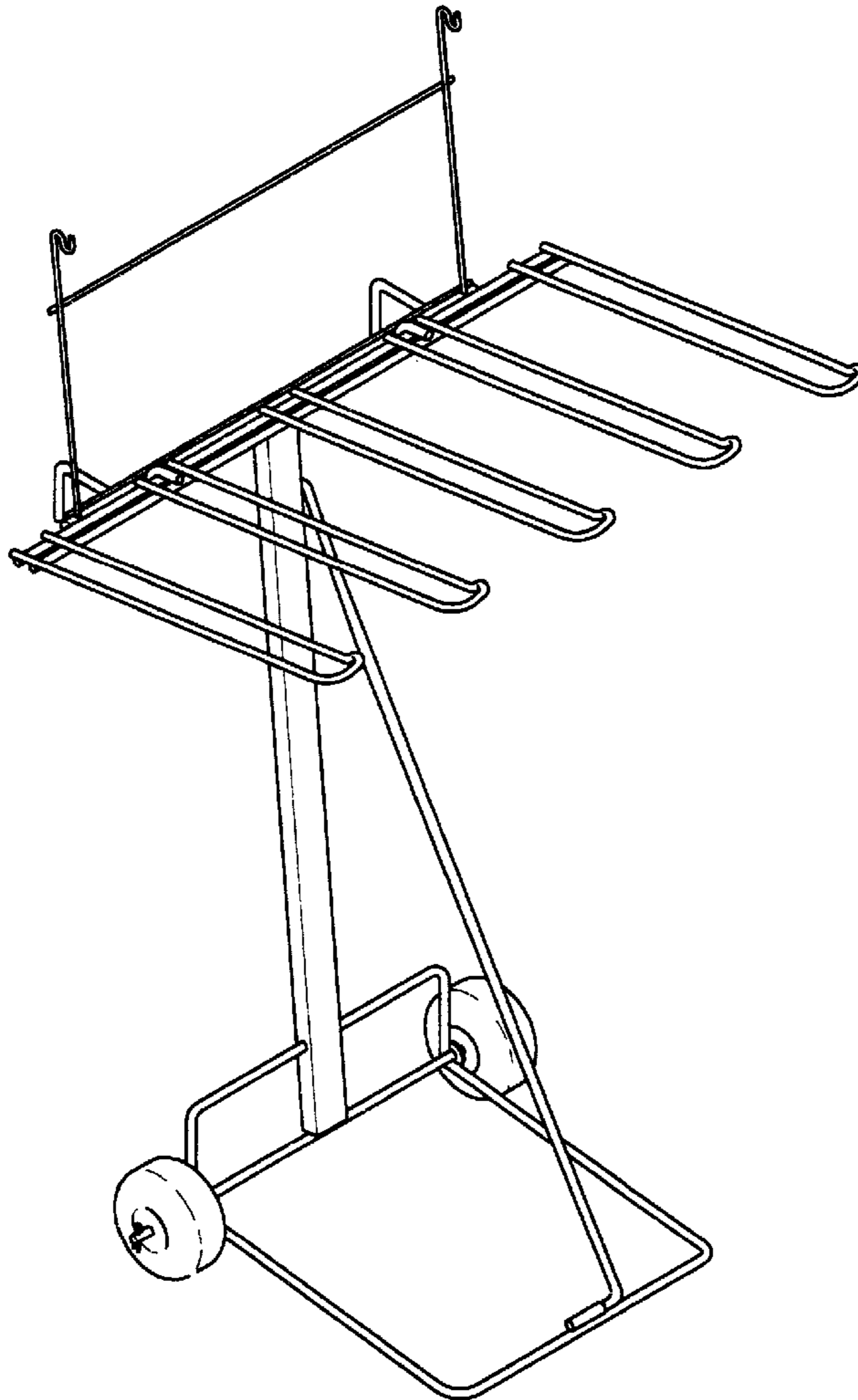
FIG. 7 is a bottom view thereof.

(56) **References Cited**

**U.S. PATENT DOCUMENTS**

- D. 156,607 \* 12/1949 Cooper ..... D6/462
- D. 285,016 \* 8/1986 Claydon ..... D6/449
- 2,835,503 \* 5/1958 Humphries ..... 211/70.6
- 2,966,991 \* 1/1961 Duffner ..... 211/60.1

**1 Claim, 4 Drawing Sheets**



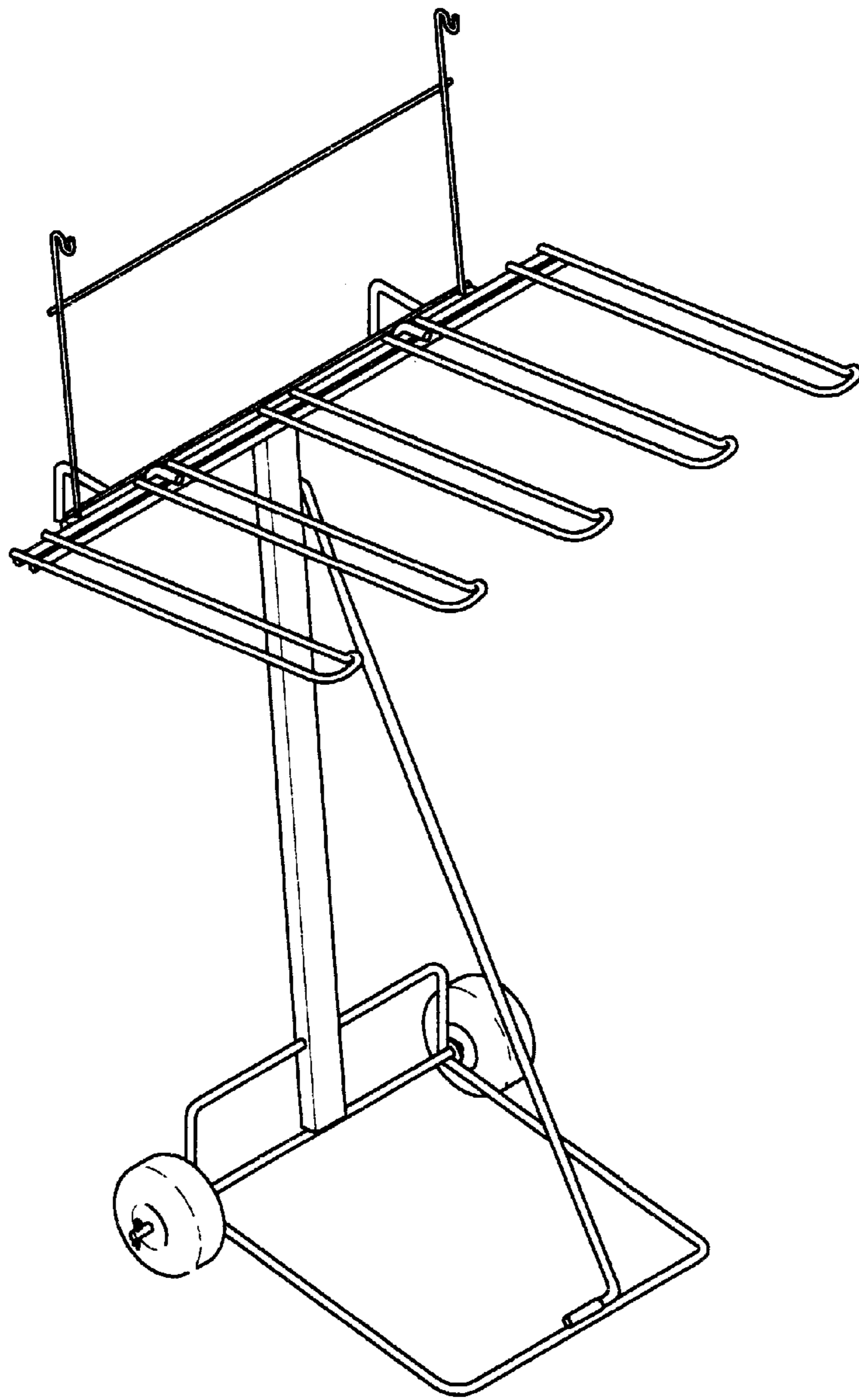


FIG.1

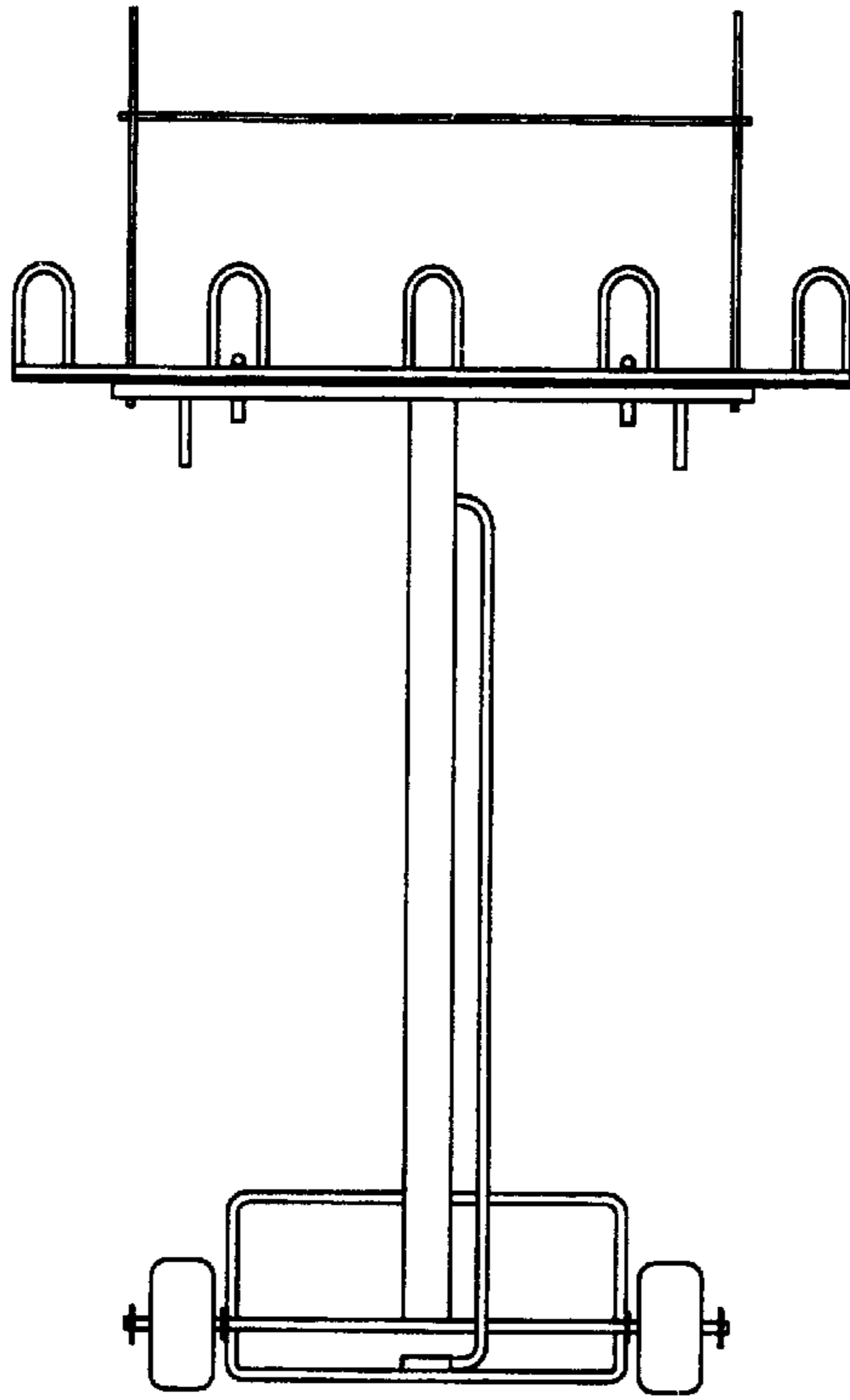


FIG. 2

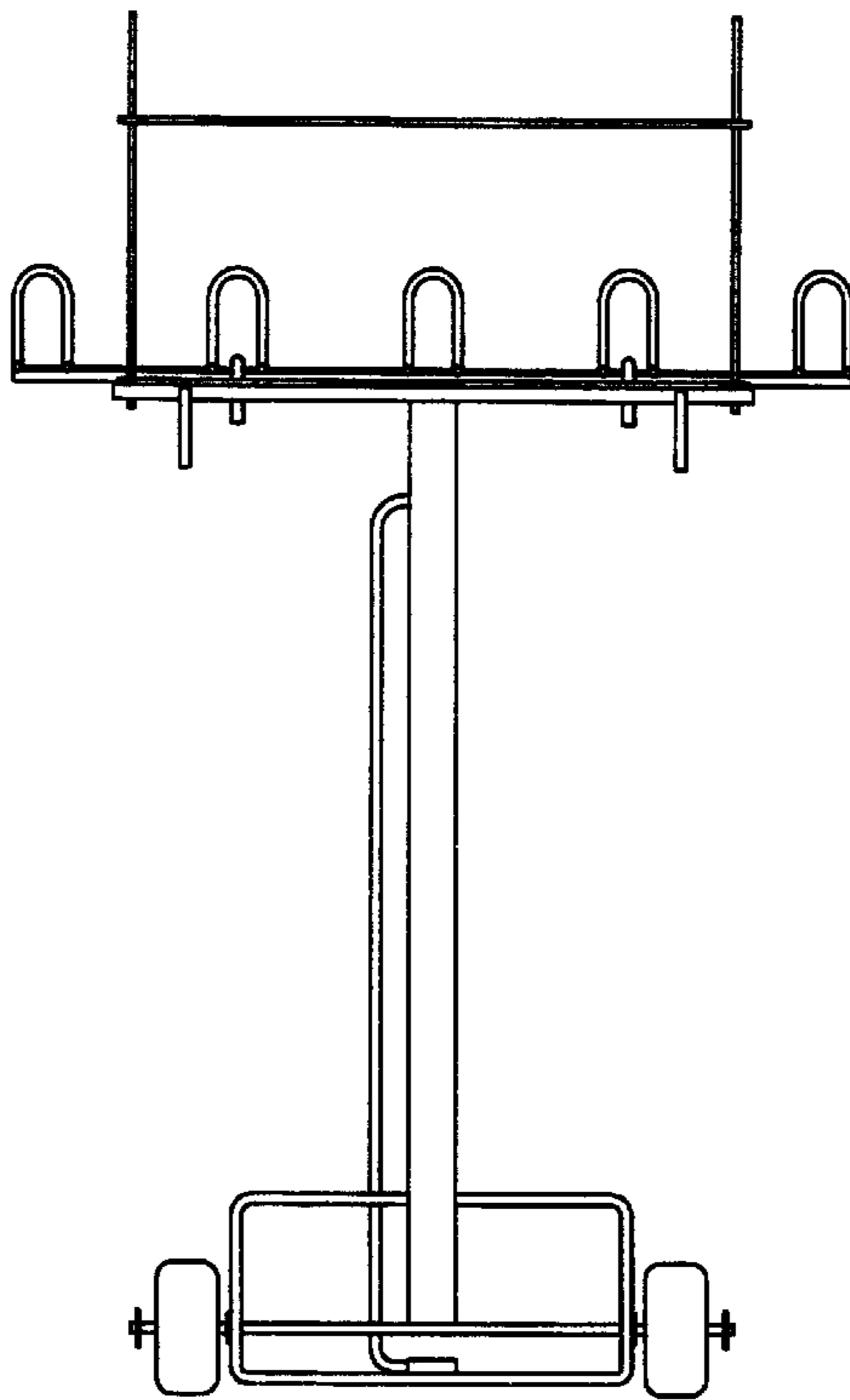


FIG. 3

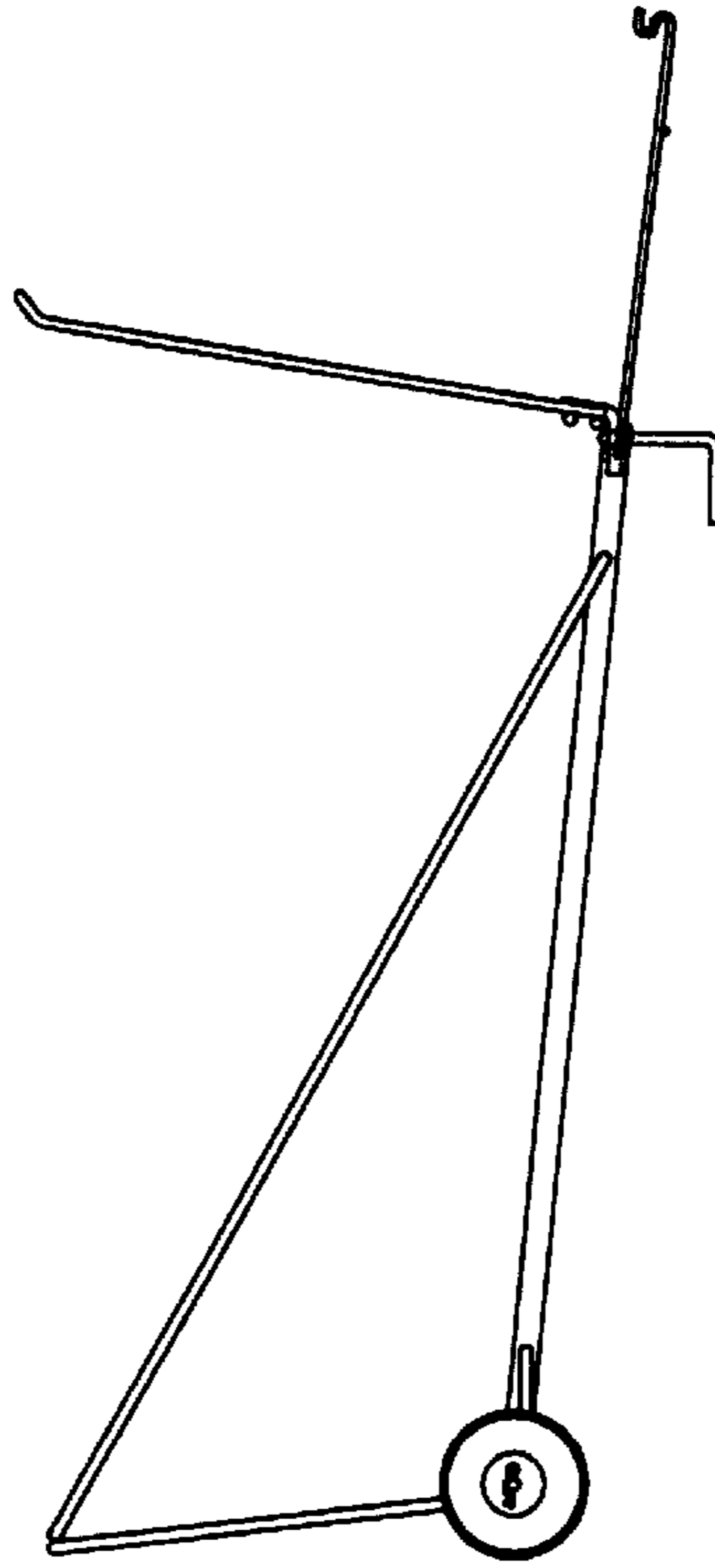


FIG. 4

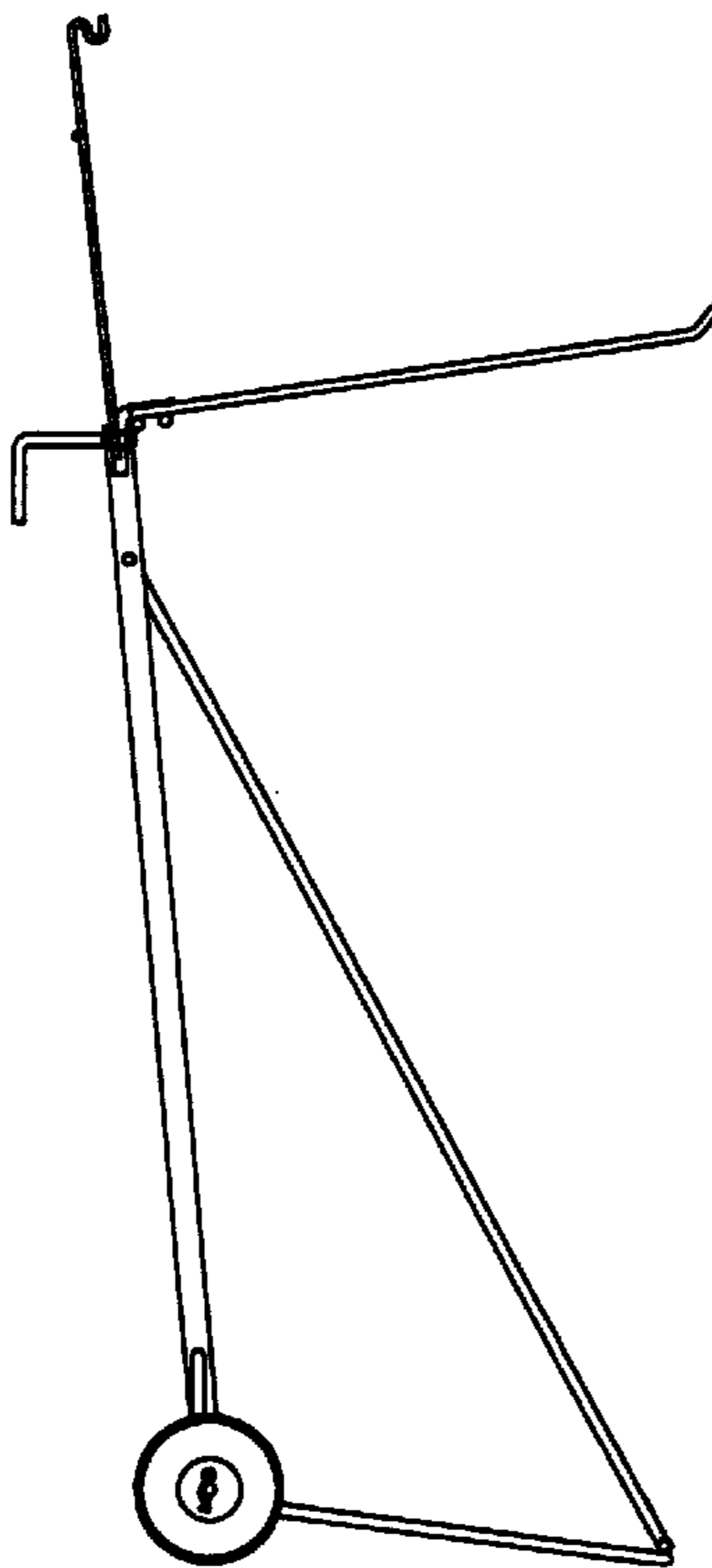


FIG. 5

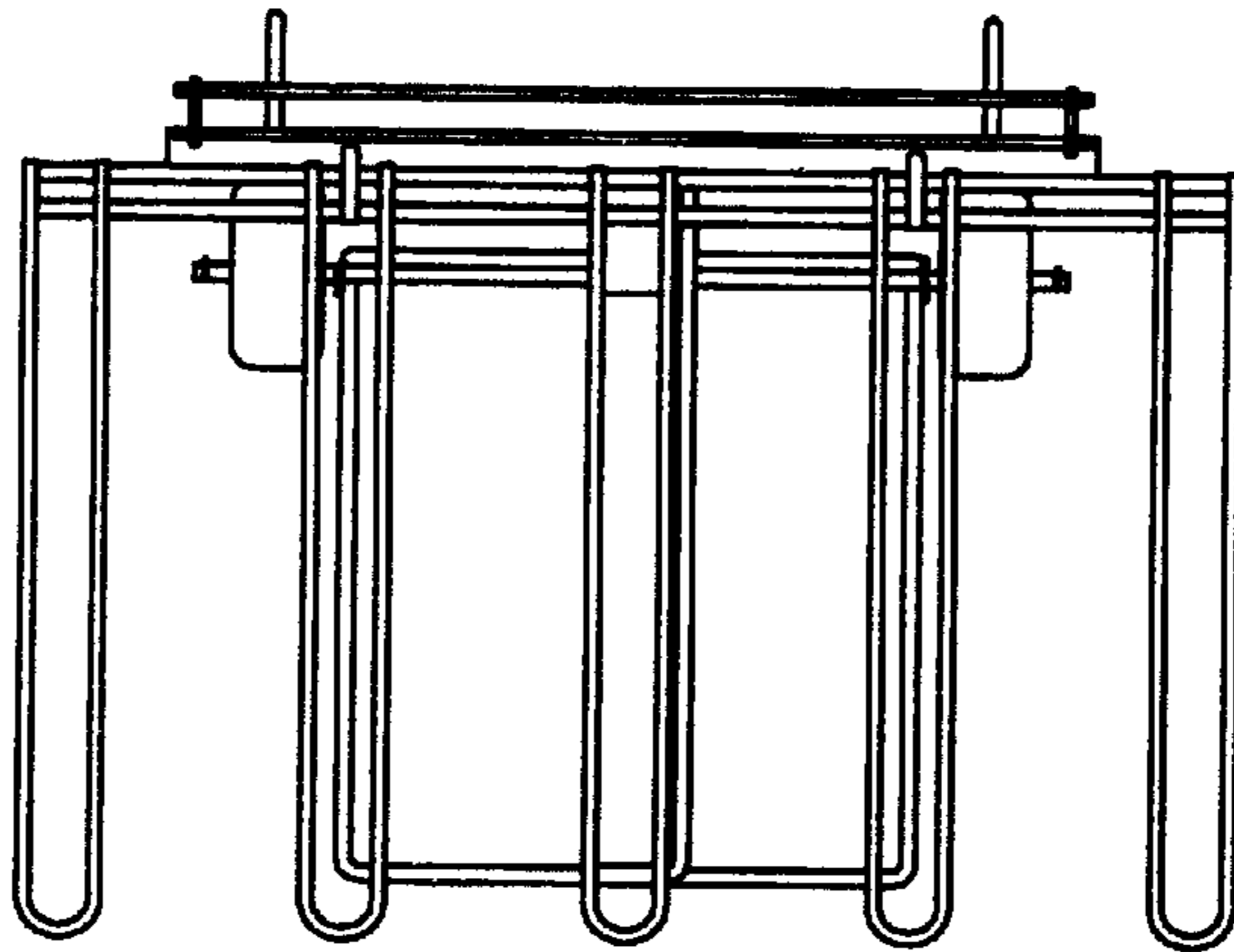


FIG. 6

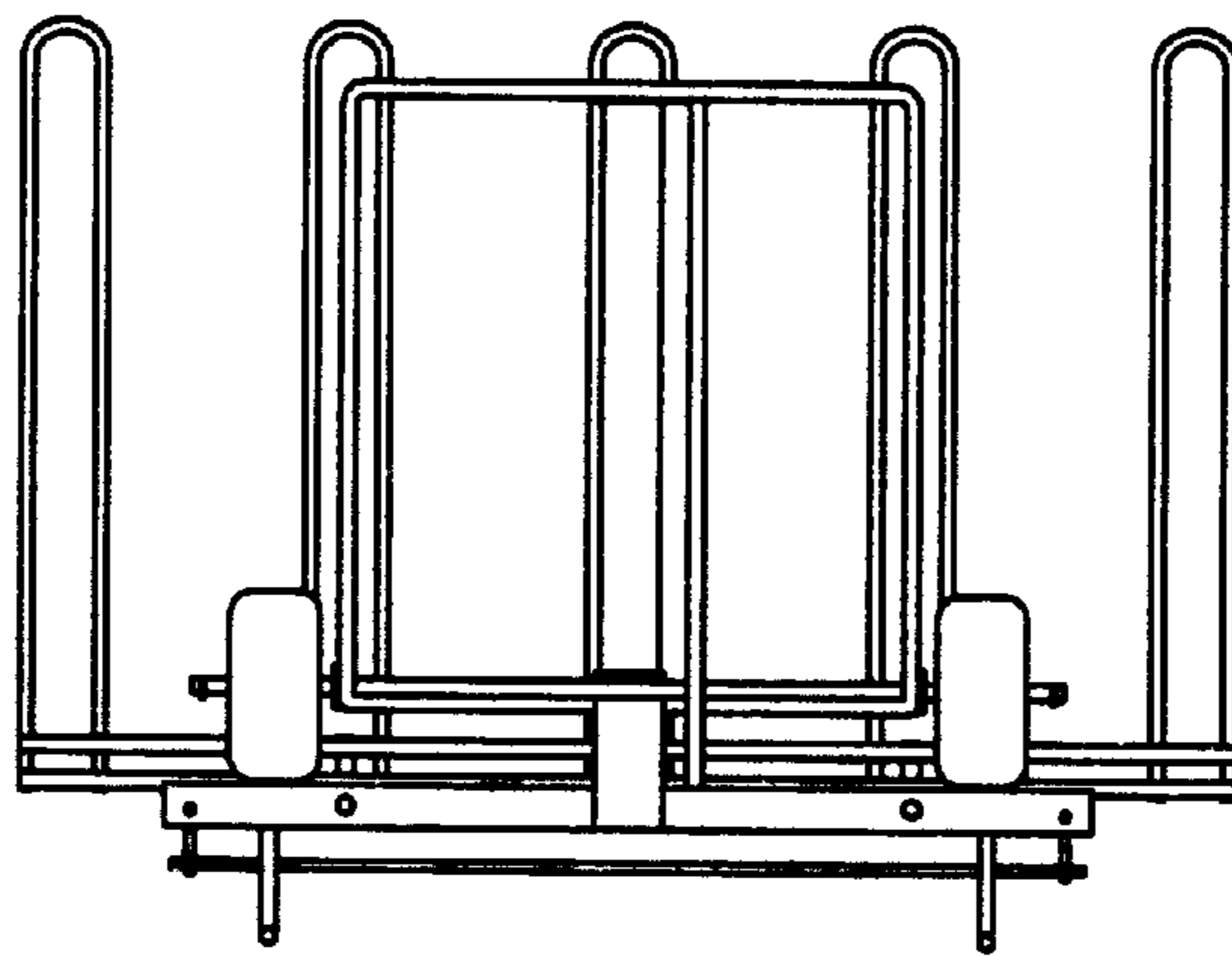


FIG. 7