



US00D447884B1

(12) **United States Design Patent**  
**Preussner**

(10) **Patent No.:** **US D447,884 S**

(45) **Date of Patent:** **\*\* Sep. 18, 2001**

(54) **ASSEMBLY DEVICE FOR PRINTED  
CIRCUIT BOARDS**

D. 330,195 \* 10/1992 Savio ..... D6/420  
D. 367,192 \* 2/1996 Frattini ..... D6/482  
4,428,631 \* 1/1984 Cope et al. .... 312/194

(75) Inventor: **Andreas Preussner**, Woerthsee (DE)

\* cited by examiner

(73) Assignee: **Siemens Aktiengesellschaft**, Munich  
(DE)

*Primary Examiner*—Dominic Simone

(74) *Attorney, Agent, or Firm*—Schiff Hardin & Waite

(\*\*) Term: **14 Years**

(57) **CLAIM**

(21) Appl. No.: **29/109,758**

The ornamental design for an assembly device for printed circuit boards, as shown and described.

(22) Filed: **Aug. 23, 1999**

**DESCRIPTION**

(51) **LOC (7) Cl.** ..... **06-04**

The device serves the purpose for assembling printed circuit boards with electrical components and has an approximately triangular contour.

(52) **U.S. Cl.** ..... **D6/396; D6/397; D6/420;**  
D6/480

FIG. 1 is a perspective view of an assembly device for printed circuit boards with a monitor and keyboard for the purposes of operating the device;

(58) **Field of Search** ..... D6/396, 397, 420,  
D6/480, 483; 312/21, 194–197, 208.1–208.4,  
233; 108/32; 451/411, 414

FIG. 2 is a front elevational view of the assembly device of FIG. 1;

(56) **References Cited**

FIG. 3 is a back elevational view of the assembly device of FIG. 1;

**U.S. PATENT DOCUMENTS**

- D. 190,916 \* 7/1961 Fischer ..... D6/397
- D. 194,850 \* 3/1963 McCord ..... D6/480
- D. 234,390 \* 2/1975 Hodges ..... D6/397
- D. 269,487 \* 6/1983 Maier ..... D6/397
- D. 274,873 \* 7/1984 Cope et al. .... D6/420
- D. 292,956 \* 12/1987 Inoue et al. .... D6/397
- D. 294,314 \* 2/1988 Brun, Jr. et al. .... D6/420
- D. 324,316 \* 3/1992 Hahne ..... D6/397

FIG. 4 is a side elevational view of the left side of the assembly device of FIG. 2;

FIG. 5 is a side elevational view of the right side of the assembly device of FIG. 4; and,

FIG. 6 is a top plan view of the assembly device of FIG. 1.

**1 Claim, 4 Drawing Sheets**

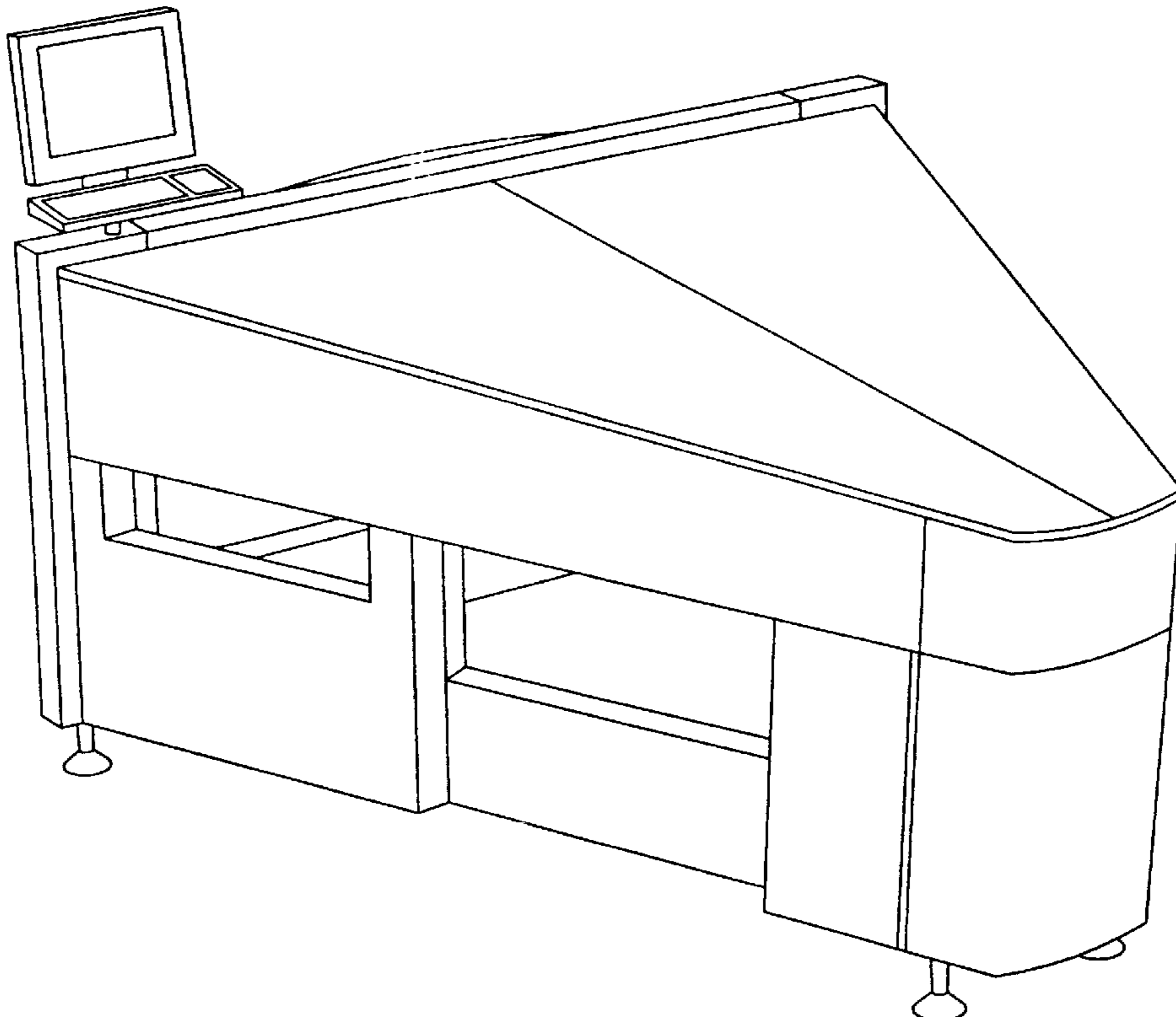
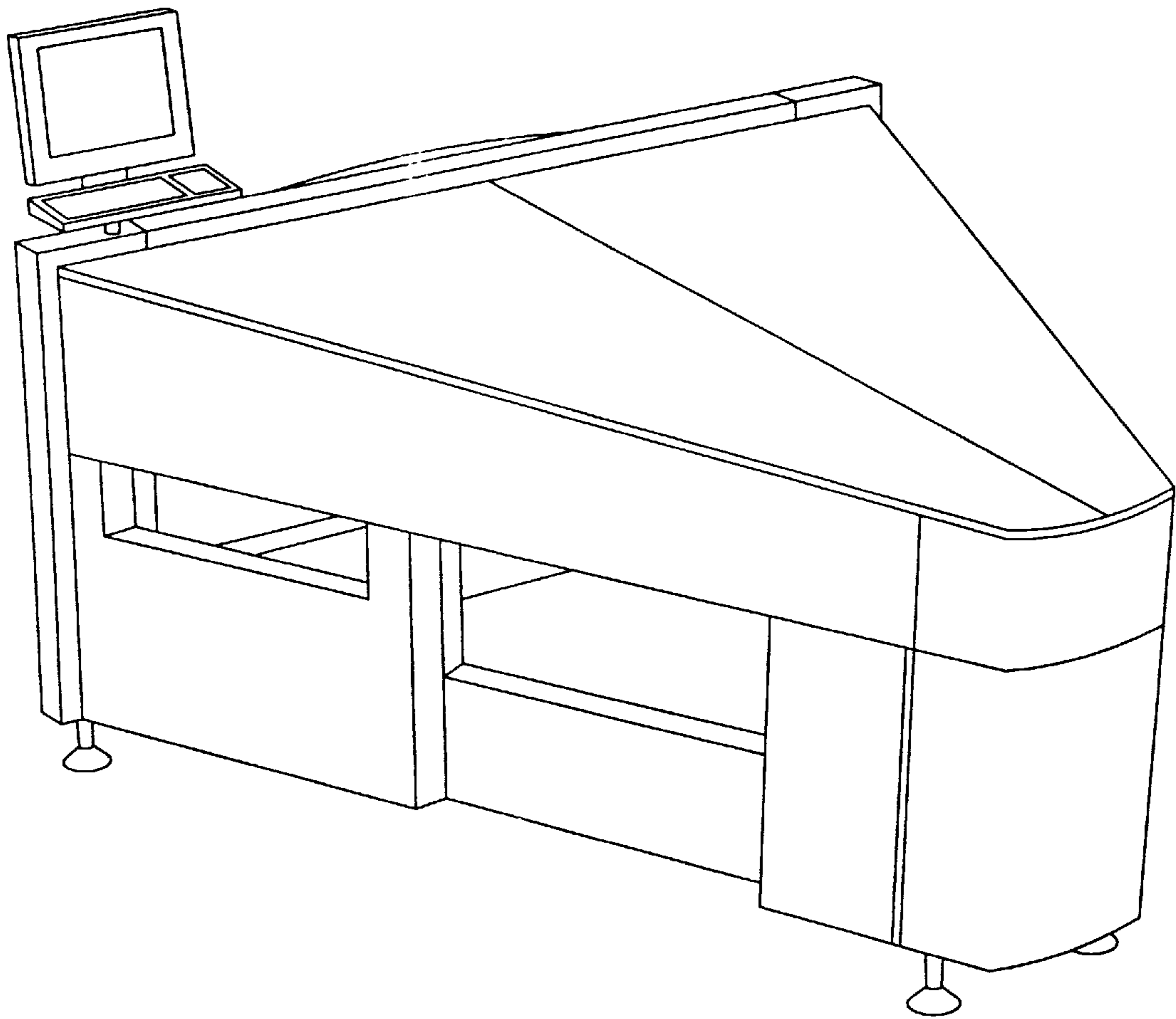
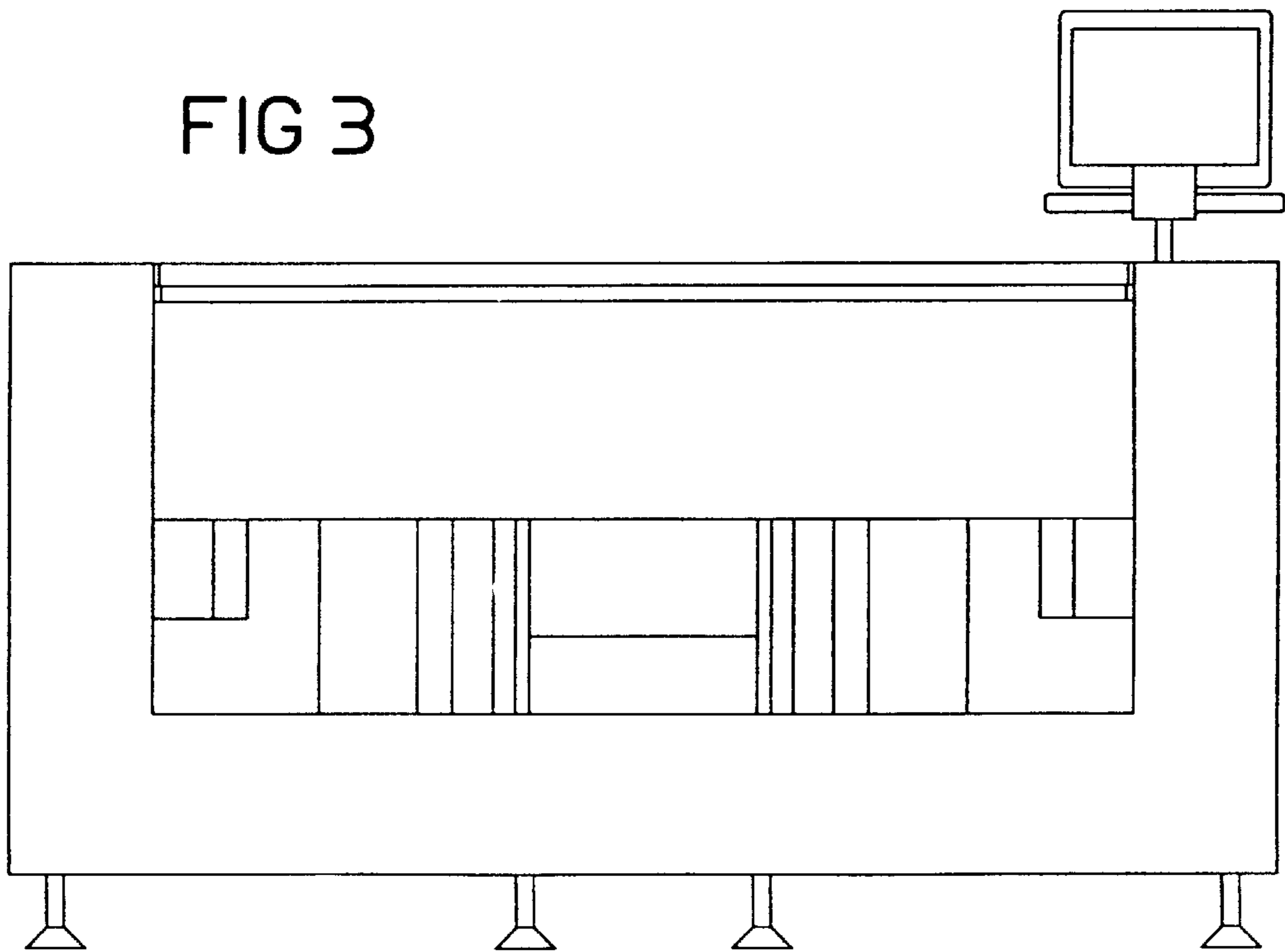
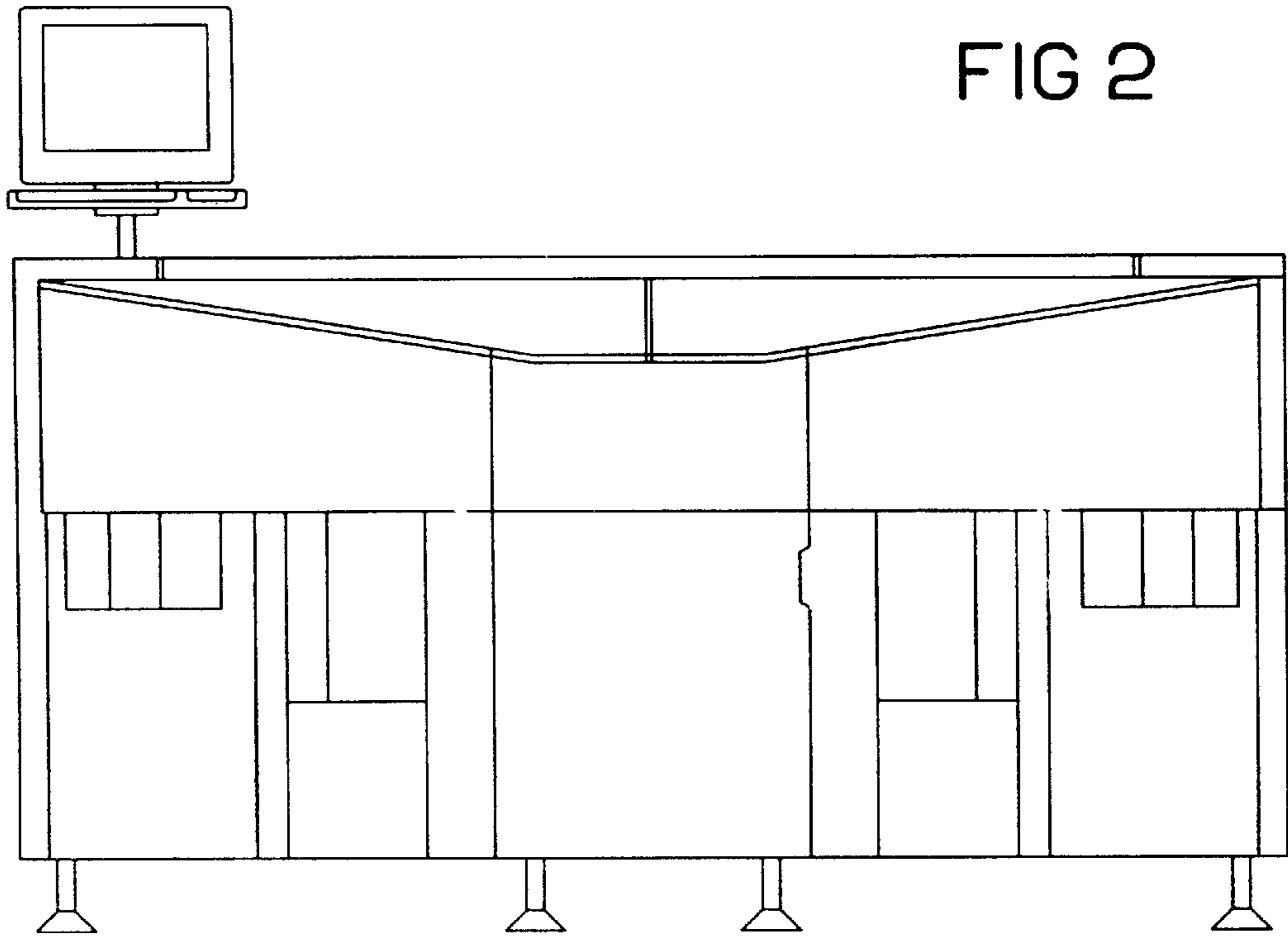


FIG 1





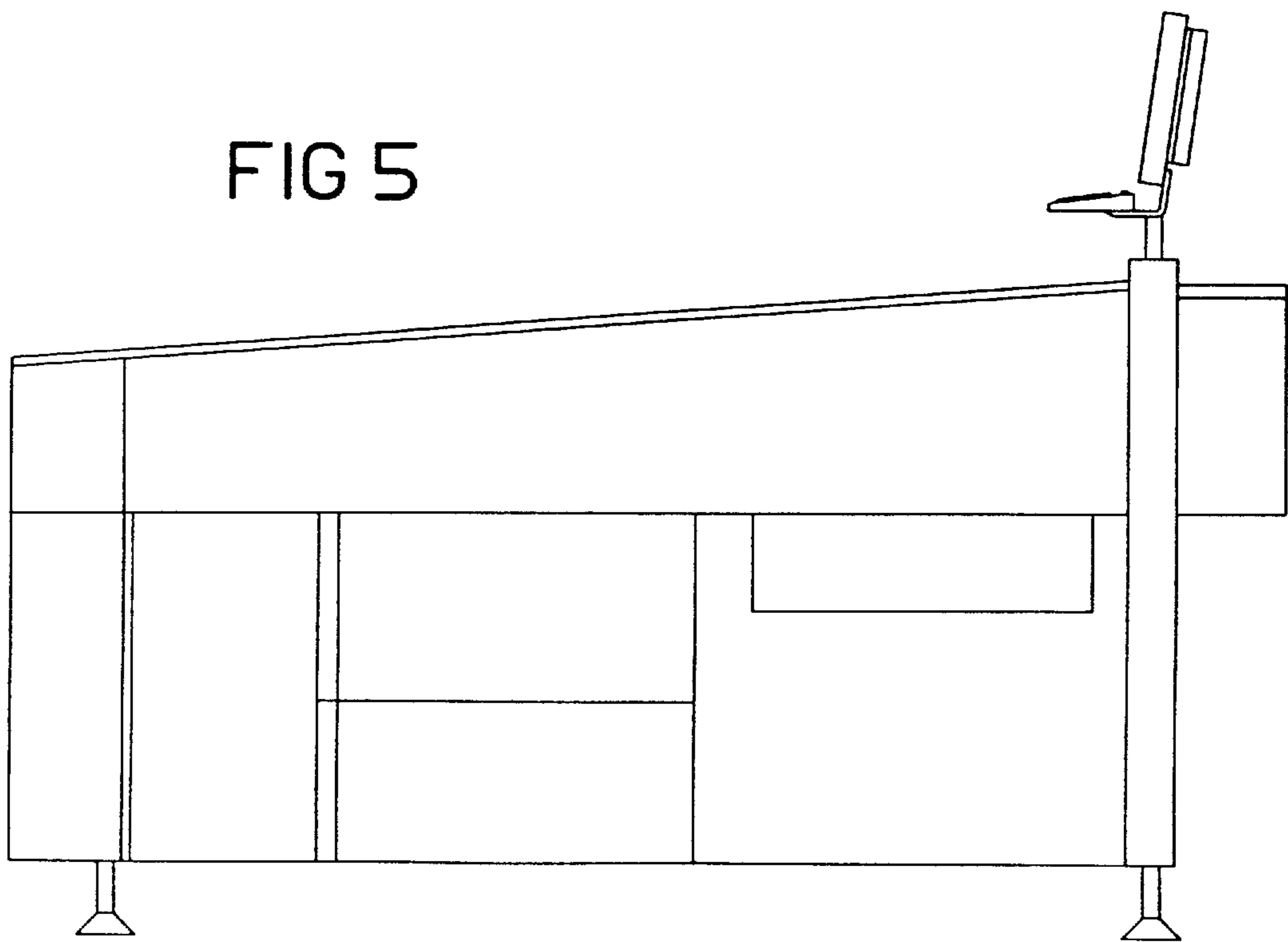
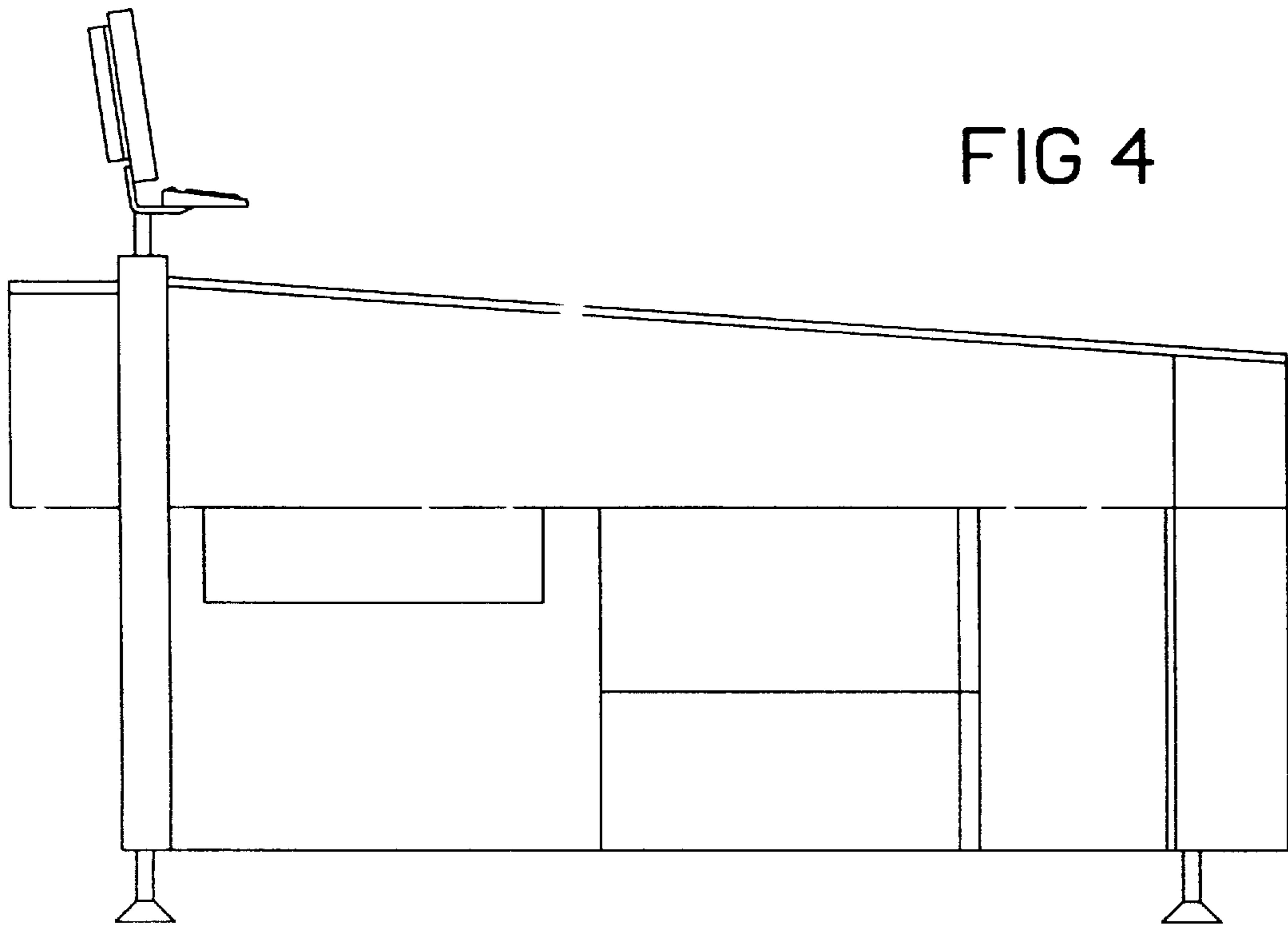


FIG 6

