



US00D447872B1

(12) **United States Design Patent**
Cesar et al.

(10) **Patent No.:** **US D447,872 S**

(45) **Date of Patent:** **** Sep. 18, 2001**

(54) **BABY BOTTLE HOLDER**

(76) Inventors: **Julio Cesar; Marie Rose Morales,**
both of 5 Huntington Cir., Pittsburg, CA
(US) 94565

(**) Term: **14 Years**

(21) Appl. No.: **29/101,112**

(22) Filed: **Feb. 23, 1999**

(51) **LOC (7) Cl.** **09-03**

(52) **U.S. Cl.** **D3/327; D3/229**

(58) **Field of Search** D3/327, 202, 215,
D3/315, 316, 229; D9/517, 538, 539, 552,
559, 565, 556; 224/926, 148.1, 148.7, 148.6;
220/906, 907, 915.1; D7/608, 619, 620;
248/102, 104; 215/11.1, 11.4

(56) **References Cited**

U.S. PATENT DOCUMENTS

D. 202,072	*	8/1965	Hunter	D7/608
D. 262,497	*	1/1982	Chan	D3/229
D. 388,604	*	1/1998	Castro	D3/229
D. 417,778	*	12/1999	Karlin, III	D3/229
1,014,004	*	1/1912	Irwin	248/102

4,564,957	*	1/1986	Scharf	248/102	X
5,135,189		8/1992	Ghazizadeh	248/104	
5,192,041		3/1993	Bryant	248/104	
5,603,479	*	2/1997	Kristy	248/104	X
5,664,746		9/1997	Benzakarya	248/106	

* cited by examiner

Primary Examiner—Louis S. Zarfes

Assistant Examiner—Robert A. Delehanty

(74) *Attorney, Agent, or Firm*—Goldstein & Canino

(57) **CLAIM**

The ornamental design for a baby bottle holder, as shown and described.

DESCRIPTION

FIG. 1 is a diagrammatic perspective view of the baby bottle holder.

FIG. 2 is a front elevational view thereof.

FIG. 3 is a top plan view thereof.

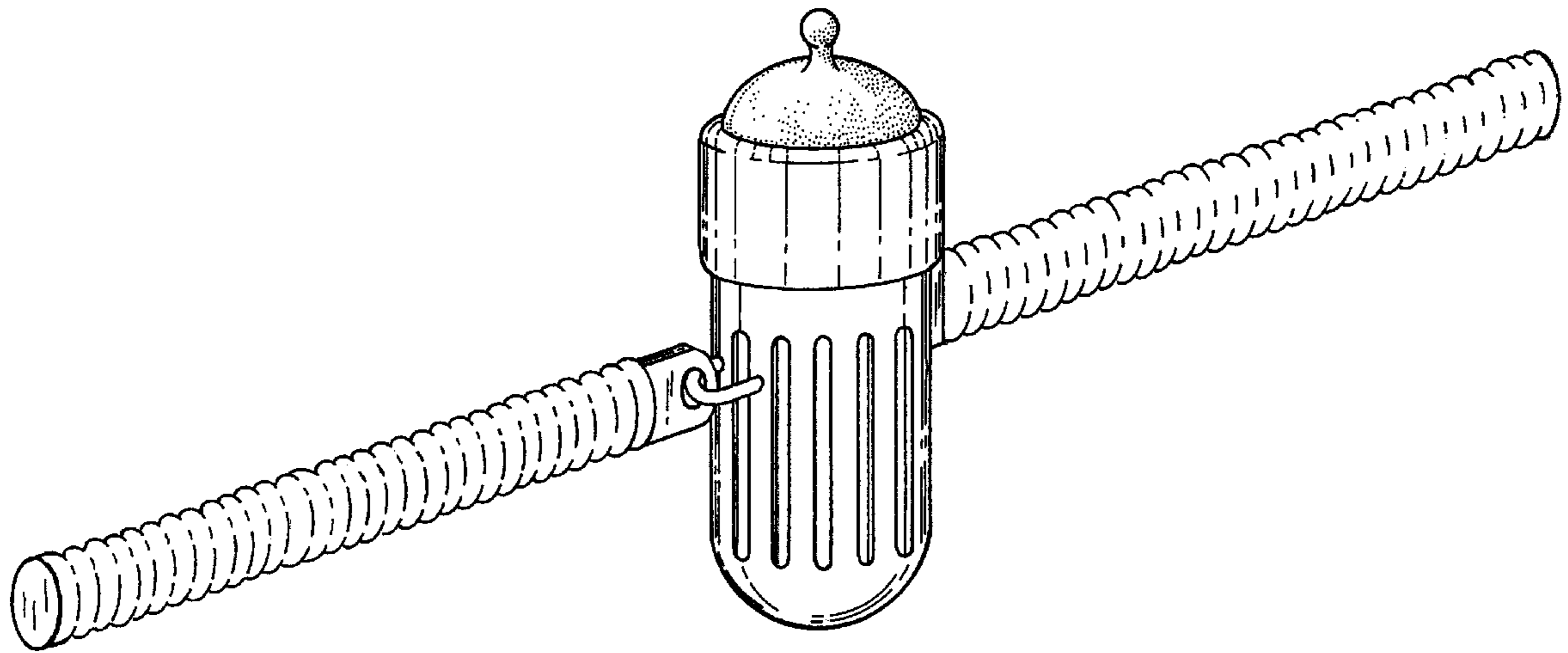
FIG. 4 is a rear elevational view thereof.

FIG. 5 is a bottom plan view thereof.

FIG. 6 is a right side elevational view of the baby bottle holder; and,

FIG. 7 is a left side elevational view thereof.

1 Claim, 4 Drawing Sheets



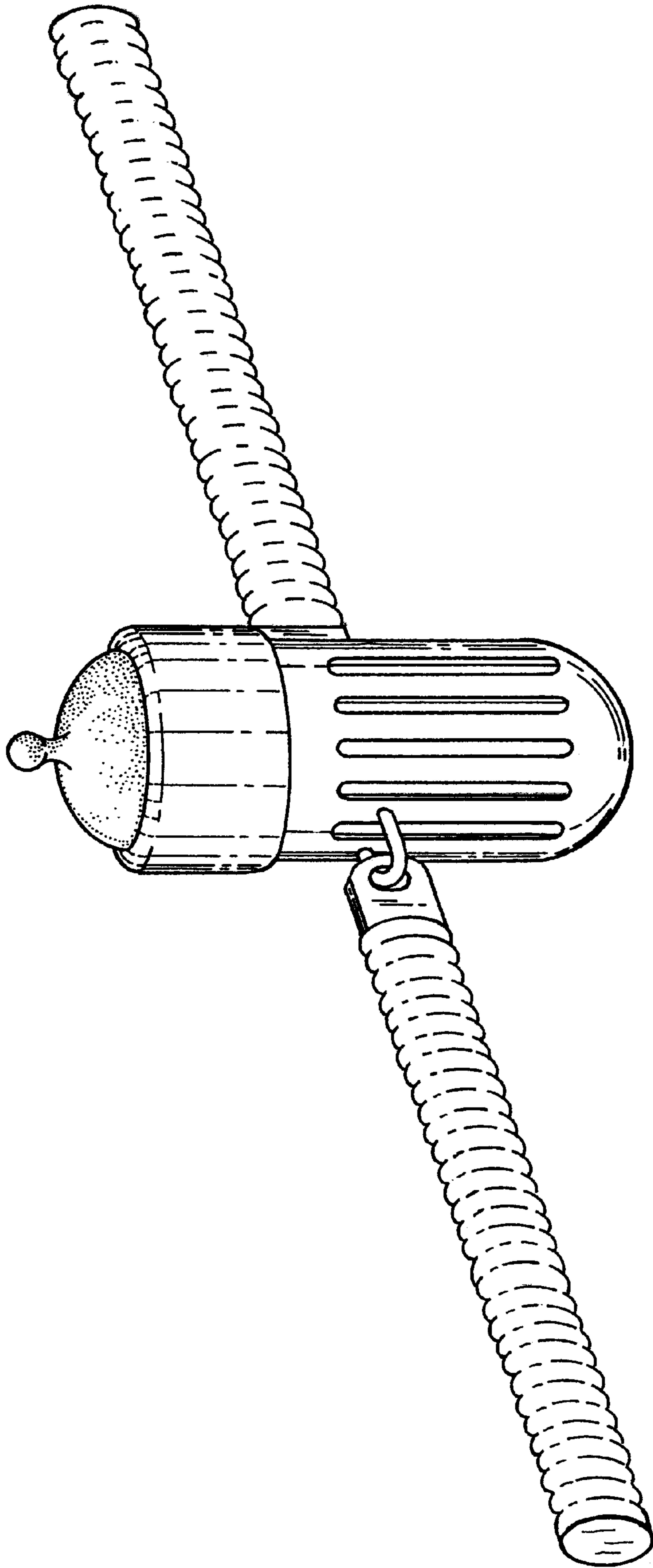


FIG. 1

FIG. 2

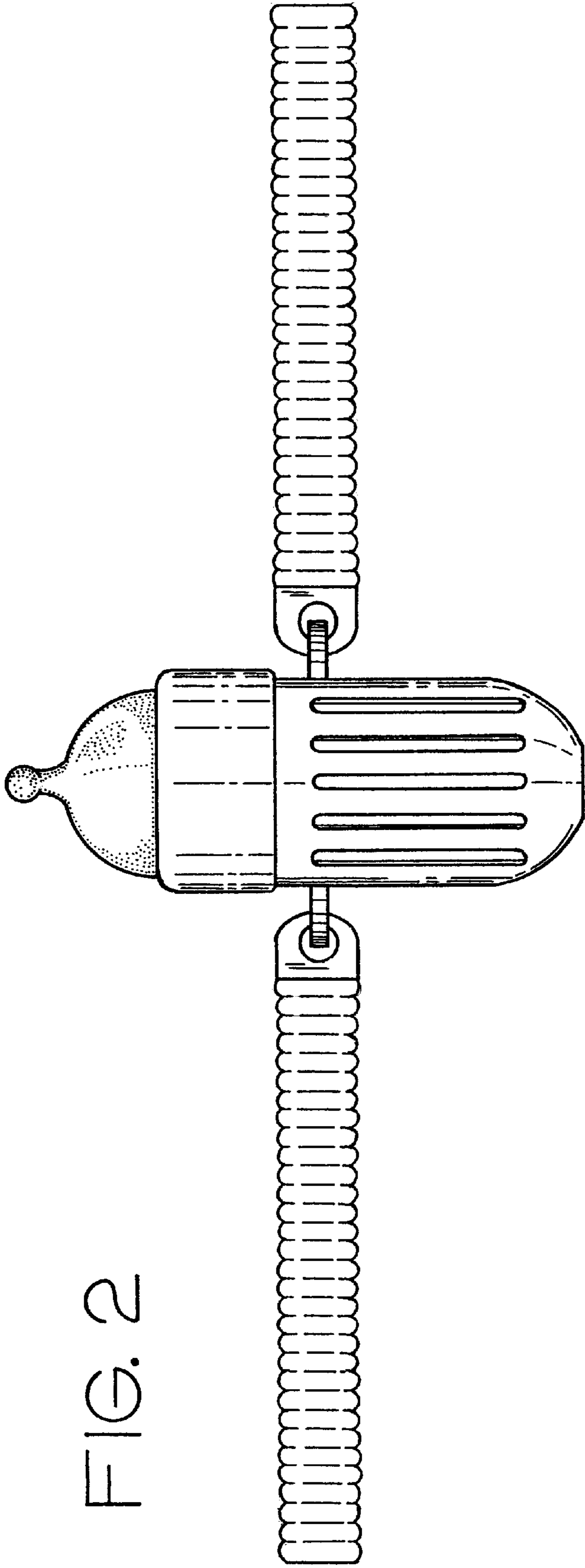
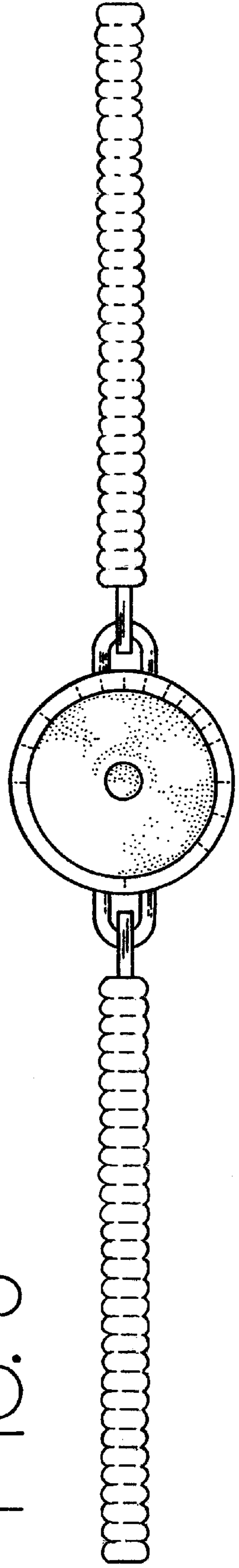


FIG. 3



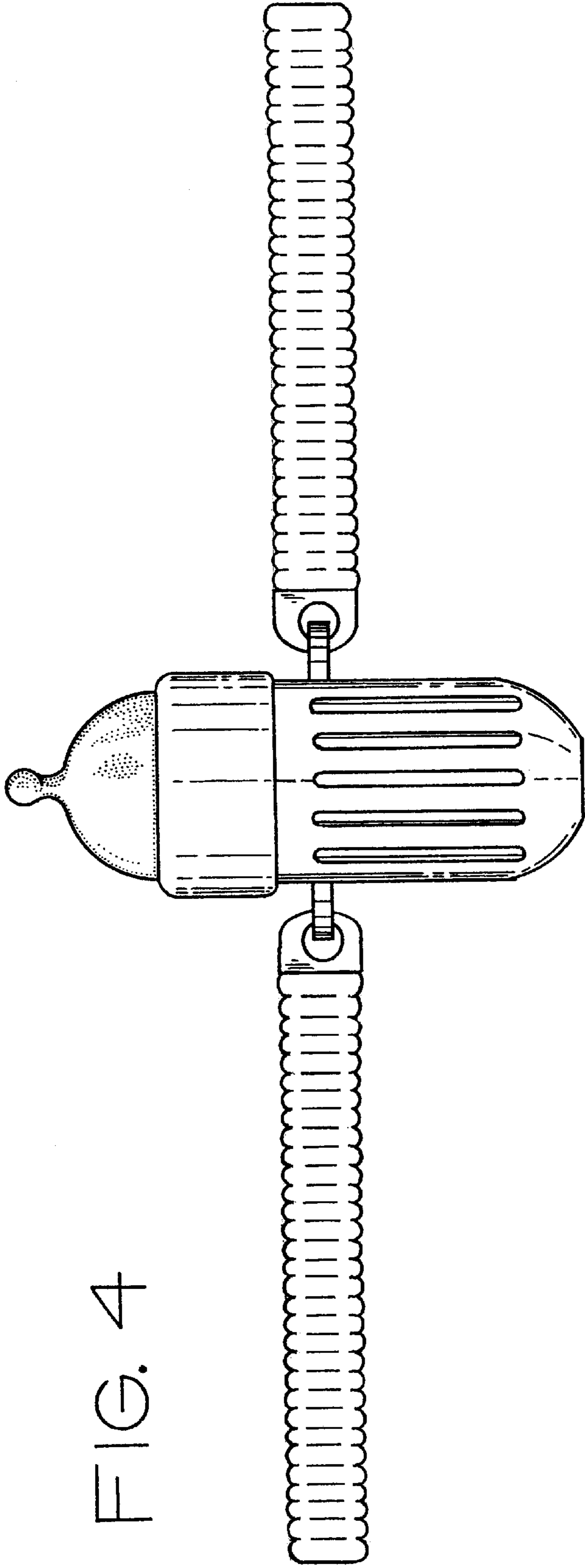


FIG. 4

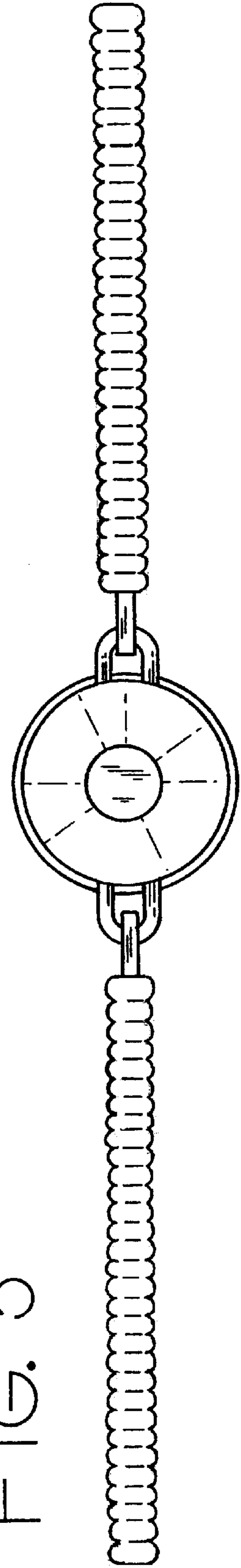


FIG. 5

FIG. 6

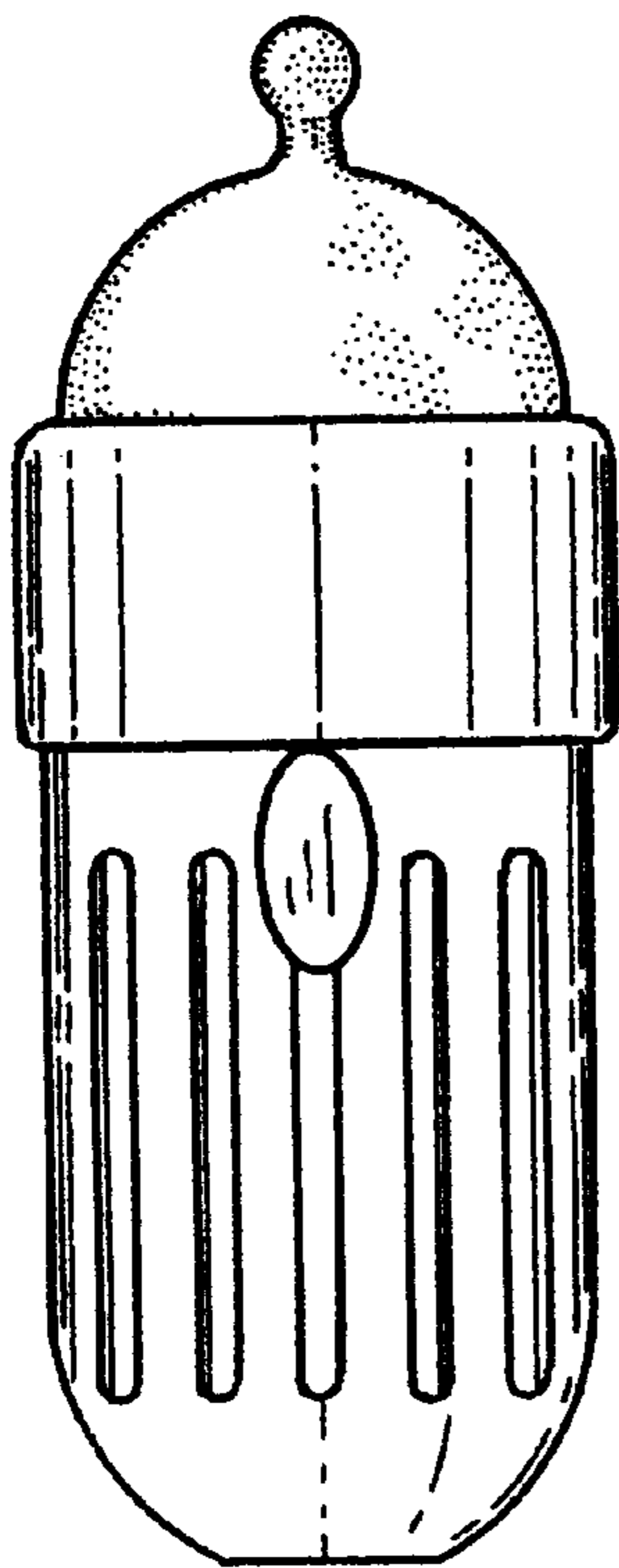


FIG. 7

