



US00D447867B1

(12) **United States Design Patent**
Terry

(10) **Patent No.:** **US D447,867 S**

(45) **Date of Patent:** **** Sep. 18, 2001**

(54) **COSMETIC BAG**

(75) **Inventor:** **Katherine Klemmer Terry**, New York, NY (US)

(73) **Assignee:** **Revlon Consumer Products Corporation**, New York, NY (US)

(*) **Notice:** This patent is subject to a terminal disclaimer.

(**) **Term:** **14 Years**

(21) **Appl. No.:** **29/120,526**

(22) **Filed:** **Mar. 20, 2000**

(51) **LOC (7) Cl.** **03-01**

(52) **U.S. Cl.** **D3/233**

(58) **Field of Search** D3/232, 233, 245, D3/246, 301, 901; 150/100, 107, 117, 118, 109, 110, 112, 127; 190/100, 109, 111, 115, 118, 119, 903

(56) **References Cited**

U.S. PATENT DOCUMENTS

D. 125,508 * 2/1941 Pichel D3/246

D. 263,897 * 4/1982 Thornton D3/243
D. 423,771 * 5/2000 Gomez et al. D3/205
1,979,978 * 11/1934 Martin 190/115
2,512,101 * 6/1950 Hack 150/107

* cited by examiner

Primary Examiner—Louis S. Zarfaz
Assistant Examiner—Monica A. Weingart
(74) *Attorney, Agent, or Firm*—Julie Blackburn

(57) **CLAIM**

The ornamental design for a cosmetic bag, as shown and described.

DESCRIPTION

FIG. 1. is a front perspective view of the cosmetic bag in accordance with the invention.

FIG. 2. is a front view of the cosmetic bag.

FIG. 3. is a rear view of the cosmetic bag.

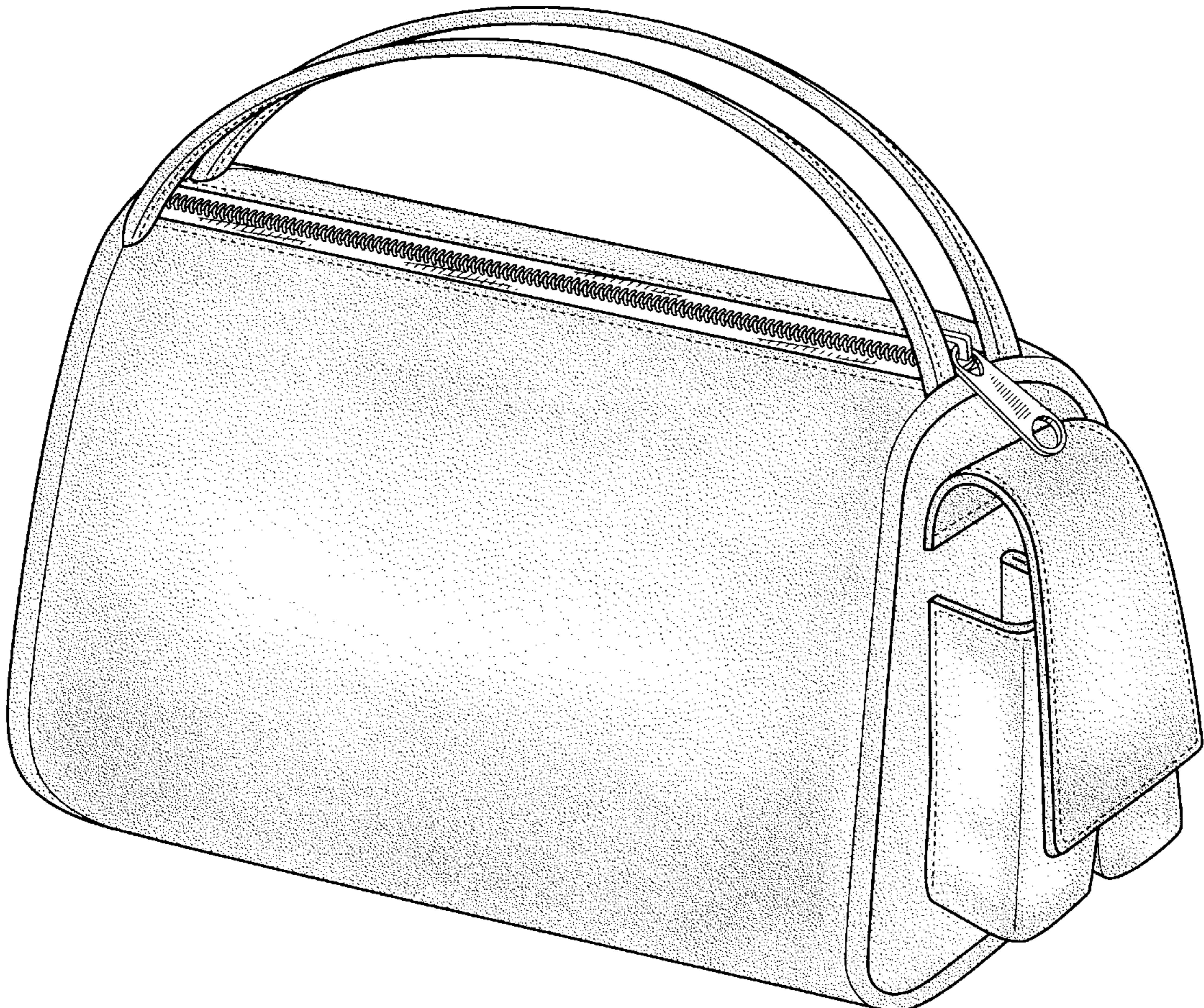
FIG. 4. is a right side view of the cosmetic bag.

FIG. 5. is a left side view of the cosmetic bag.

FIG. 6. is a top plan view of the cosmetic bag; and,

FIG. 7. is a bottom plan view of the cosmetic bag.

1 Claim, 5 Drawing Sheets



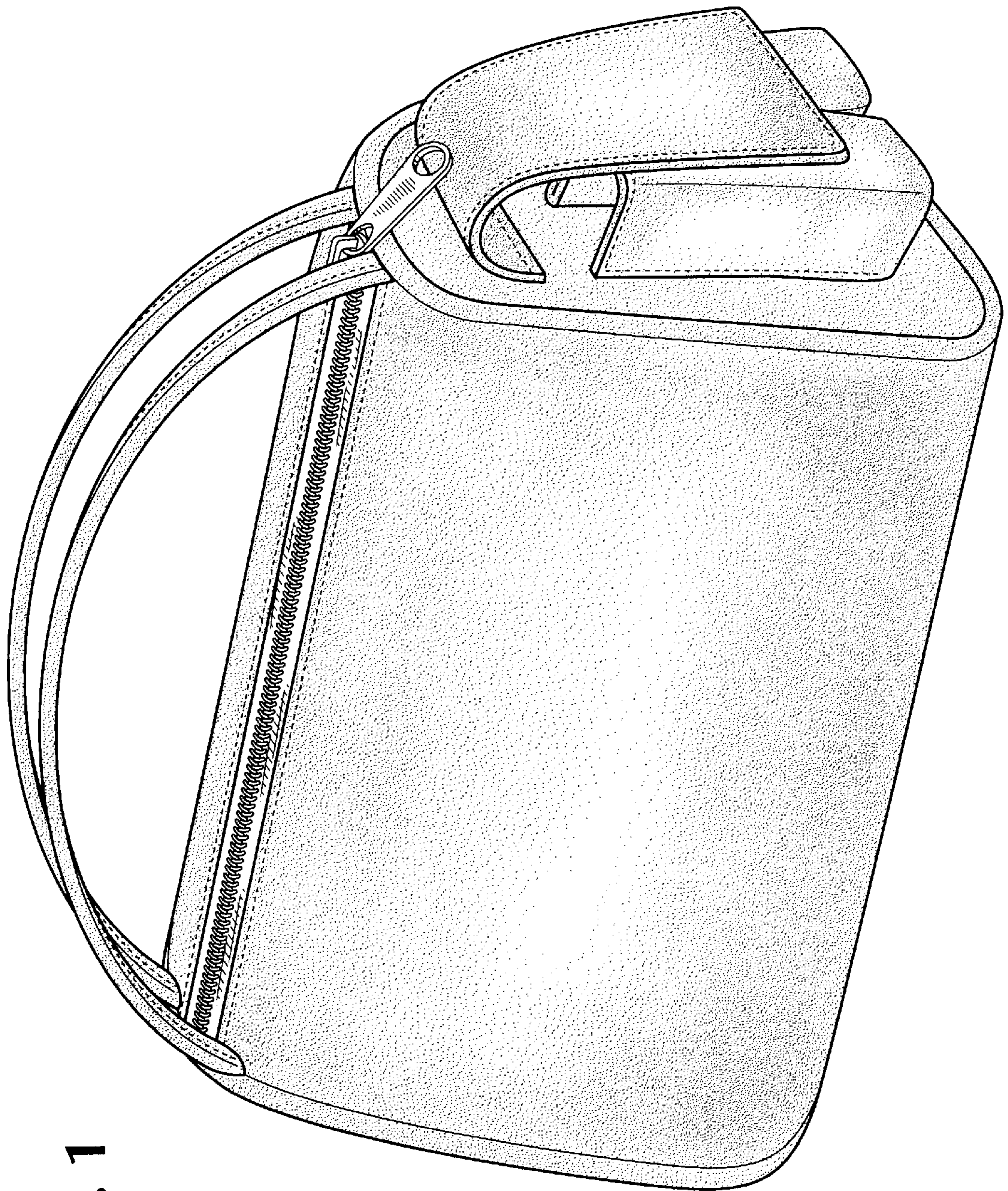


FIG. 1

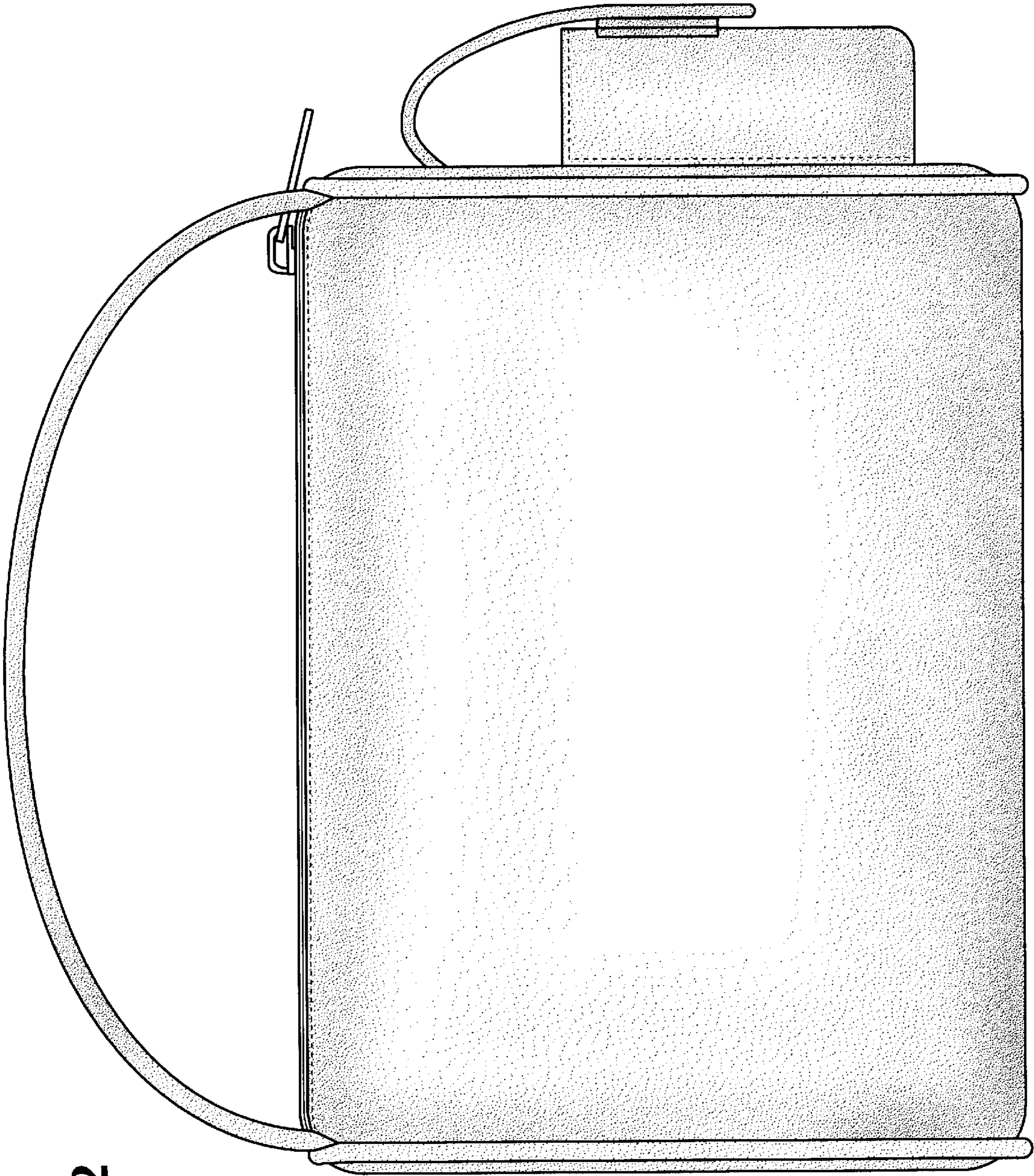


FIG. 2

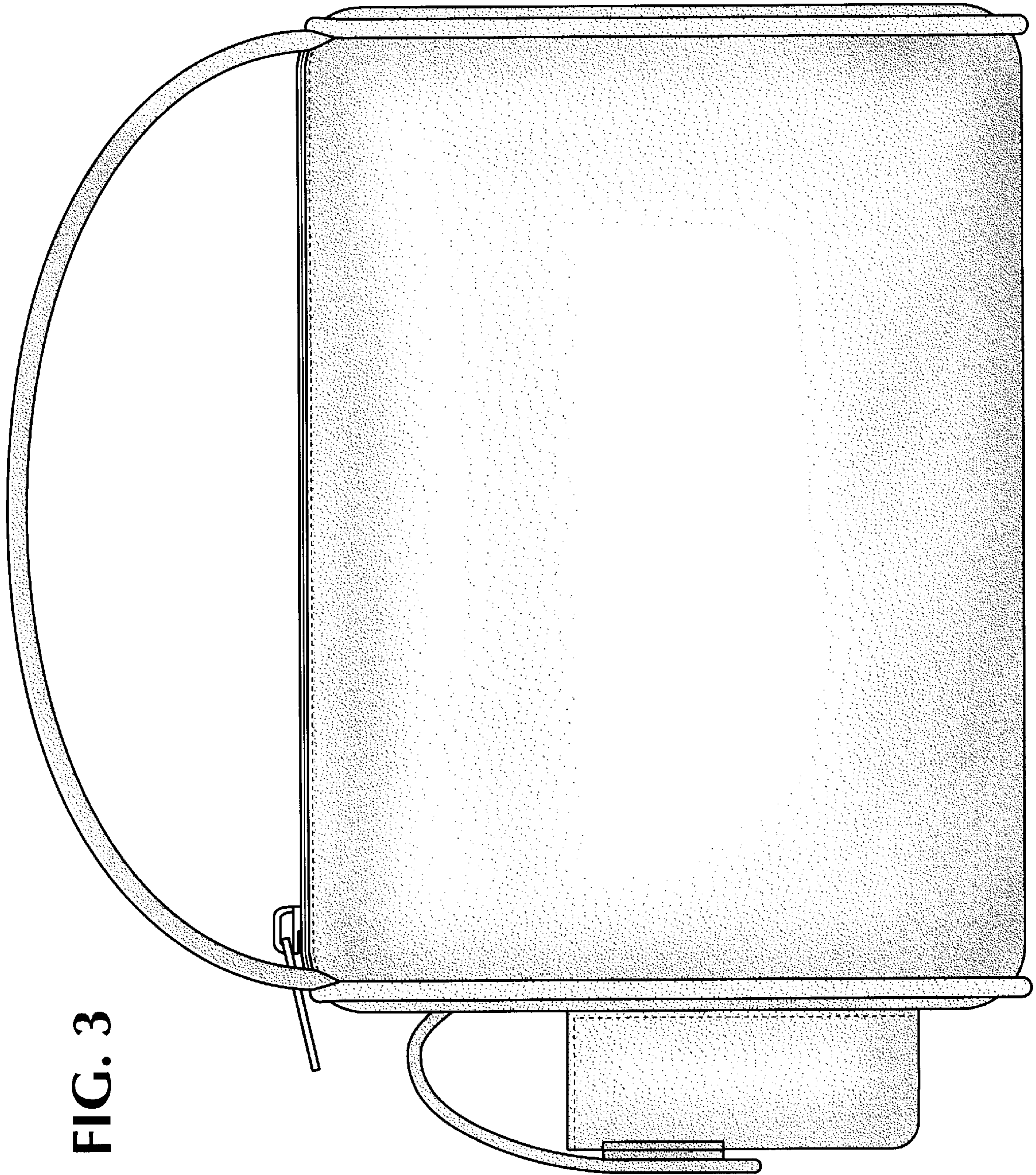


FIG. 3

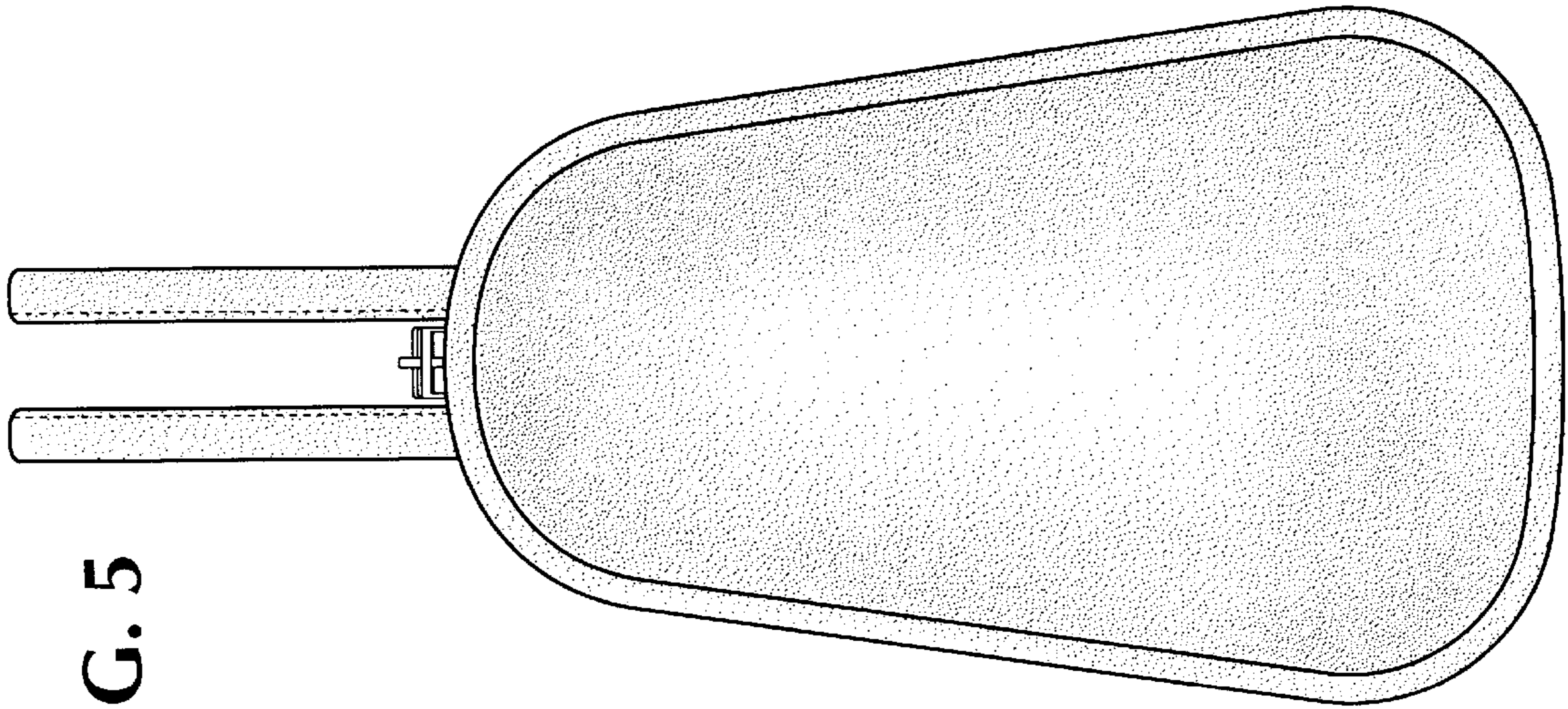


FIG. 5

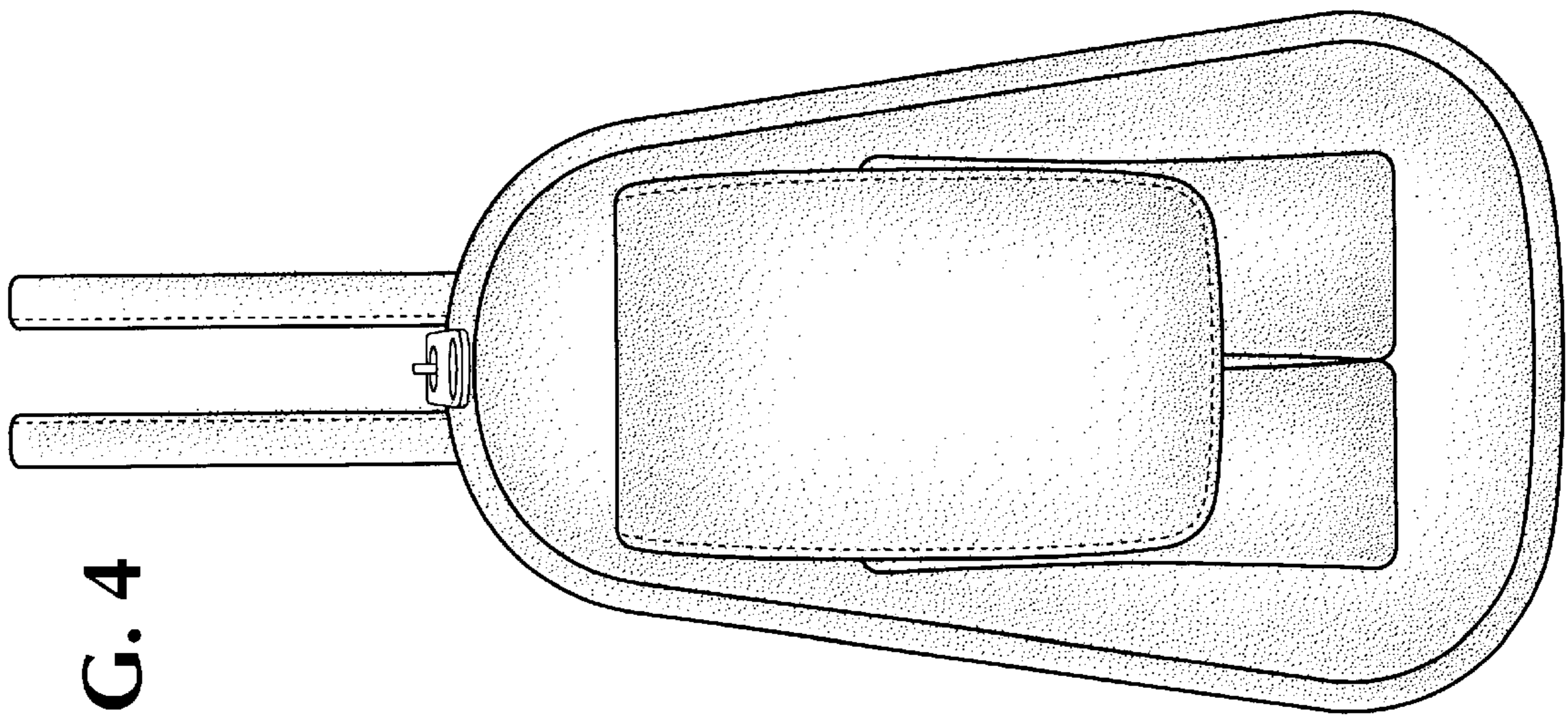


FIG. 4

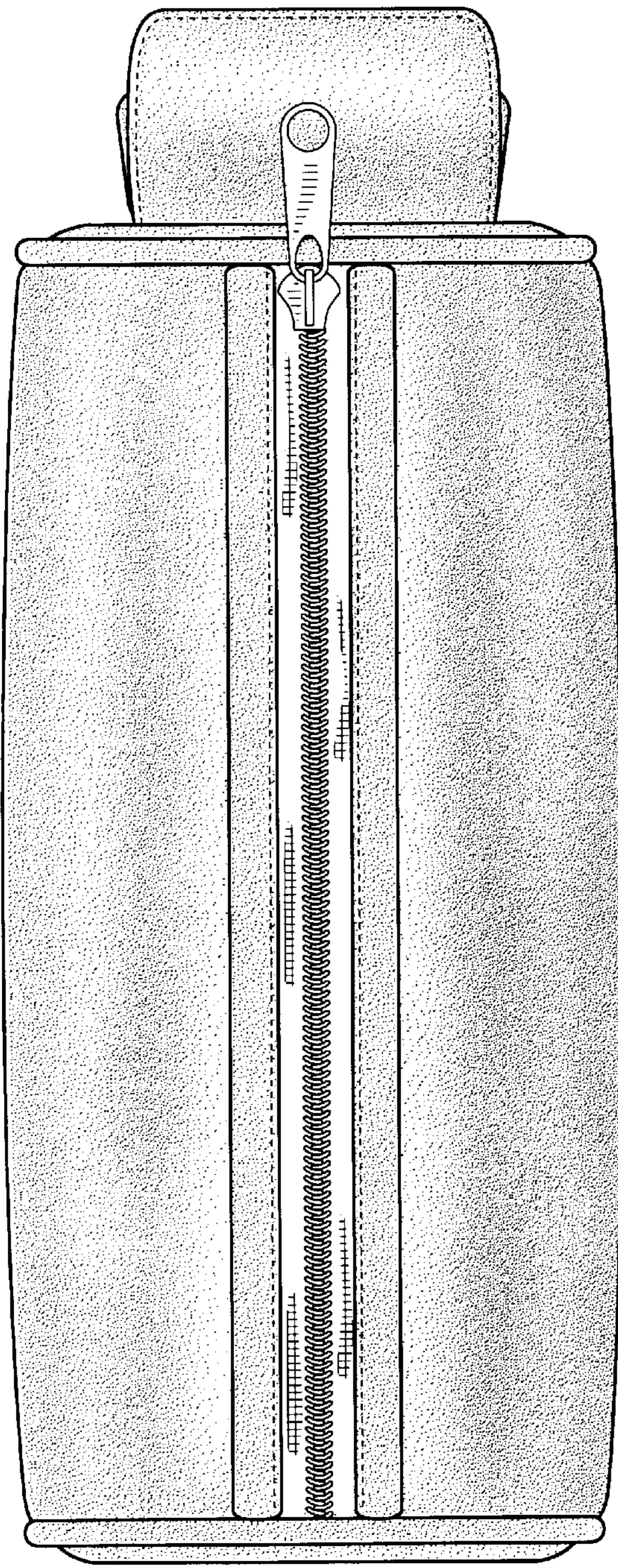


FIG. 6

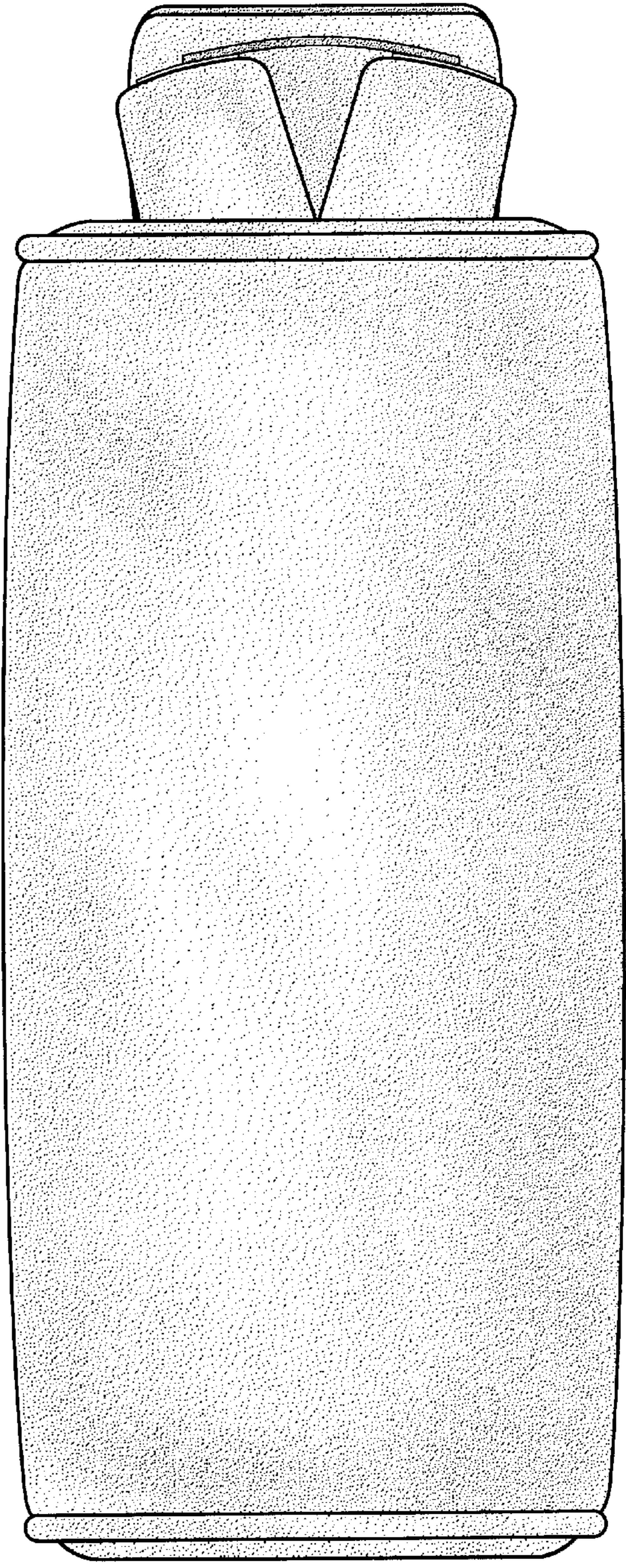


FIG. 7