



US00D447864B1

(12) **United States Design Patent**
Casparian

(10) **Patent No.:** **US D447,864 S**

(45) **Date of Patent:** **** Sep. 18, 2001**

(54) **PHONE HOLSTER**

(76) Inventor: **Richard A. Casparian**, 961 "E" Ave.,
Coronado, CA (US) 92118

(**) Term: **14 Years**

(21) Appl. No.: **29/127,166**

(22) Filed: **Aug. 1, 2000**

(51) **LOC (7) Cl.** **03-01**

(52) **U.S. Cl.** **D3/218**

(58) **Field of Search** D3/218, 222, 223,
D3/224, 226, 228; 224/222, 219, 267, 240,
901, 904

4,828,154	5/1989	Clifton, Jr.	224/253
4,852,782	8/1989	Wu et al.	224/226
4,953,767	9/1990	Bennett	224/192
5,358,159 *	10/1994	Lundie, Jr.	224/245
5,445,303 *	8/1995	Cawile, Jr.	224/222
5,765,738	6/1998	Hoffner	224/661
5,839,633	11/1998	Fisher	224/675
5,988,469	11/1999	Musacchia	224/267

* cited by examiner

Primary Examiner—Catherine R. Oliver

(74) *Attorney, Agent, or Firm*—Calif Tervo

(57) **CLAIM**

The ornamental design for a phone holster, as shown and described.

(56) **References Cited**

U.S. PATENT DOCUMENTS

D. 248,866	8/1978	Gonzales	D22/13
D. 370,776 *	6/1996	Frey	D3/218
D. 395,162	6/1998	Frank	D3/218
D. 396,553	8/1998	Mecham et al.	D3/218
D. 408,134	4/1999	Hartmann et al.	D3/218
D. 435,963 *	1/2001	Fulmore	D3/218
1,354,926	10/1920	Thomas .	
3,130,883	4/1964	MacKool .	
4,303,187 *	12/1981	Berman	224/222

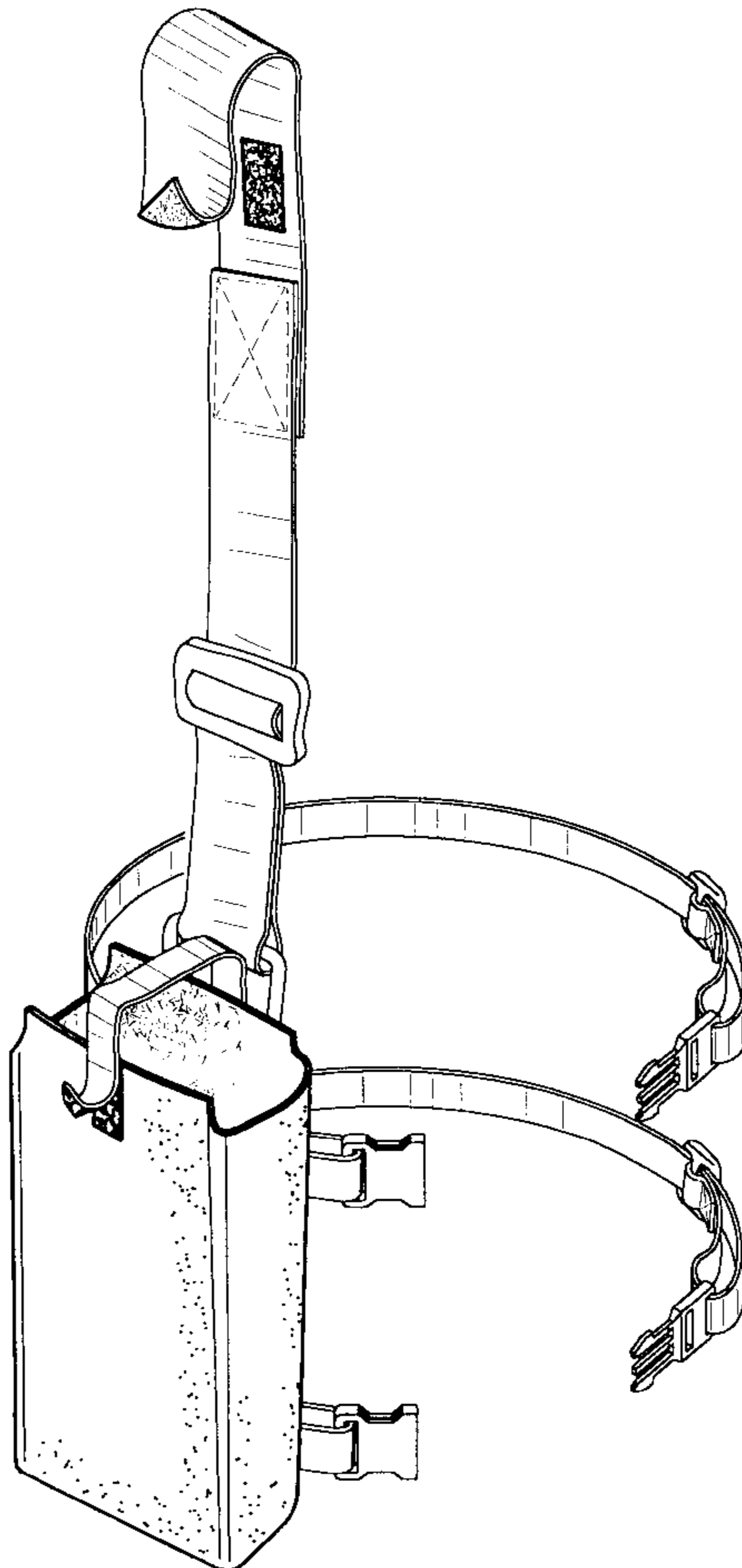
DESCRIPTION

FIG. 1 is a front perspective view of a phone holster showing my new design as worn by a person; it being understood that the broken lines are for illustrative purposes only and form no part of the claimed design;

FIG. 2 is an enlarged front and top perspective view of the design of FIG. 1;

FIG. 3 is a rear perspective view of the design of FIG. 2; and, FIG. 4 is a top plan view of the design of FIG. 2.

1 Claim, 2 Drawing Sheets



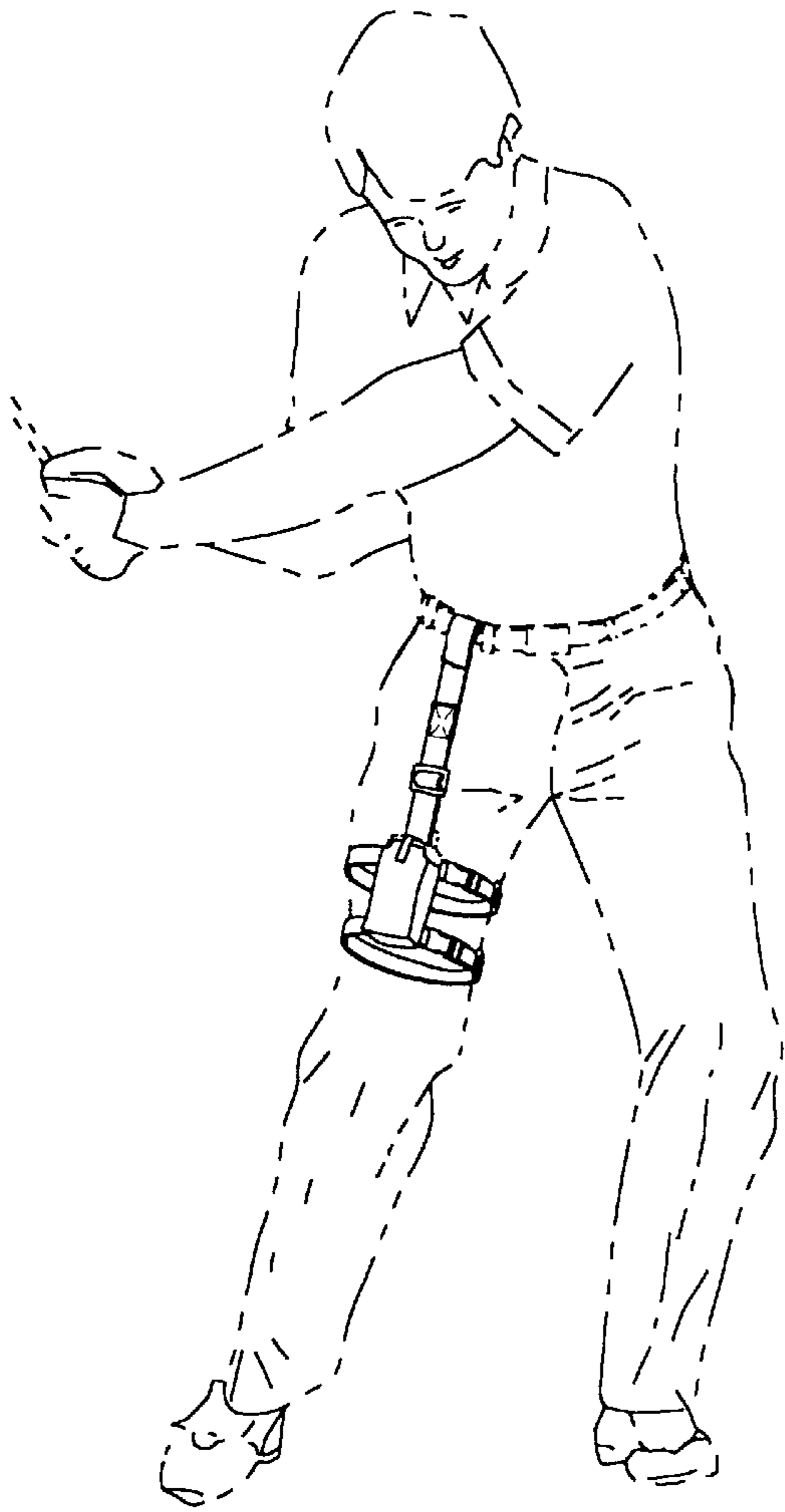


FIG. 1

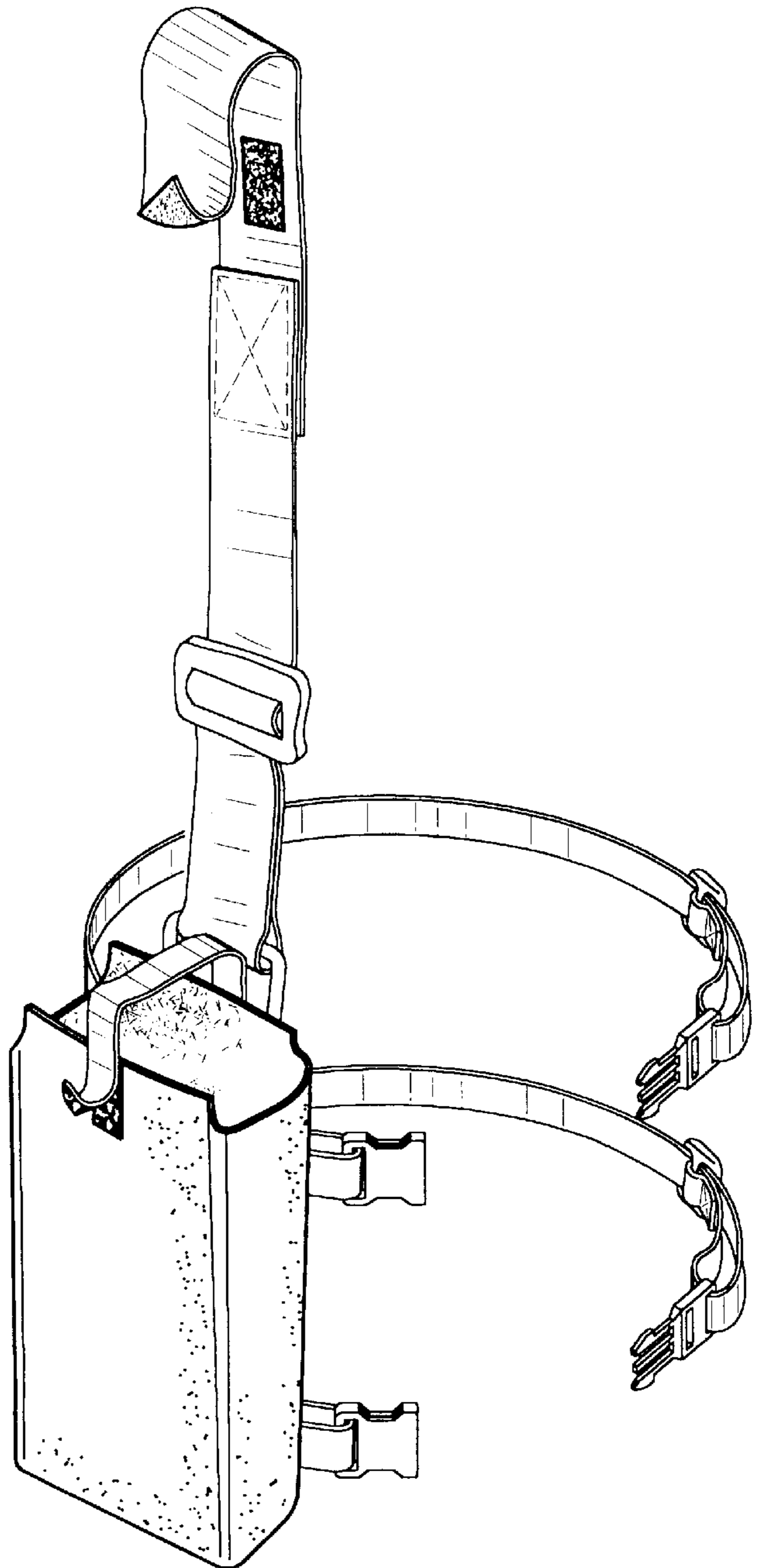


FIG. 2

FIG. 3

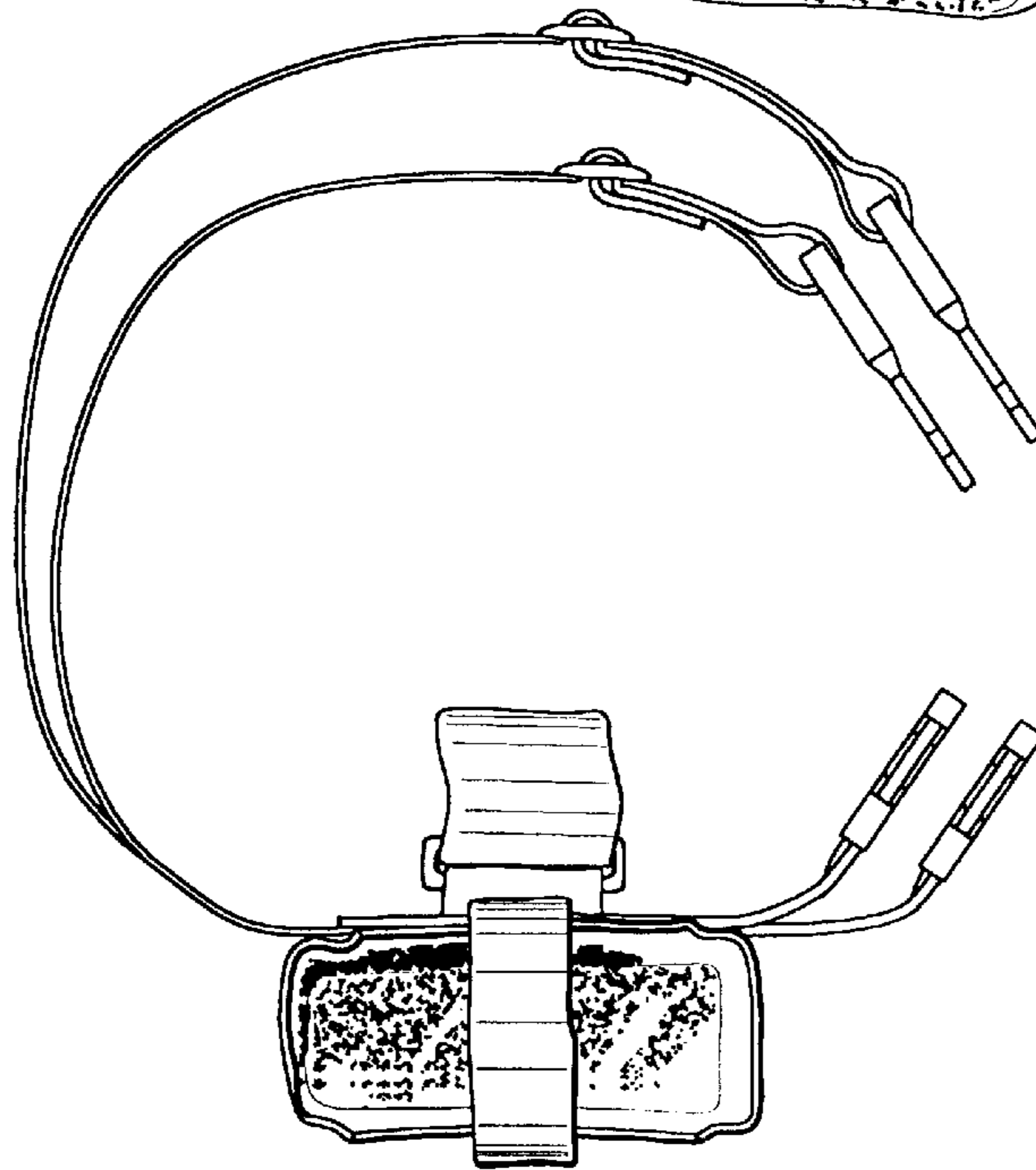
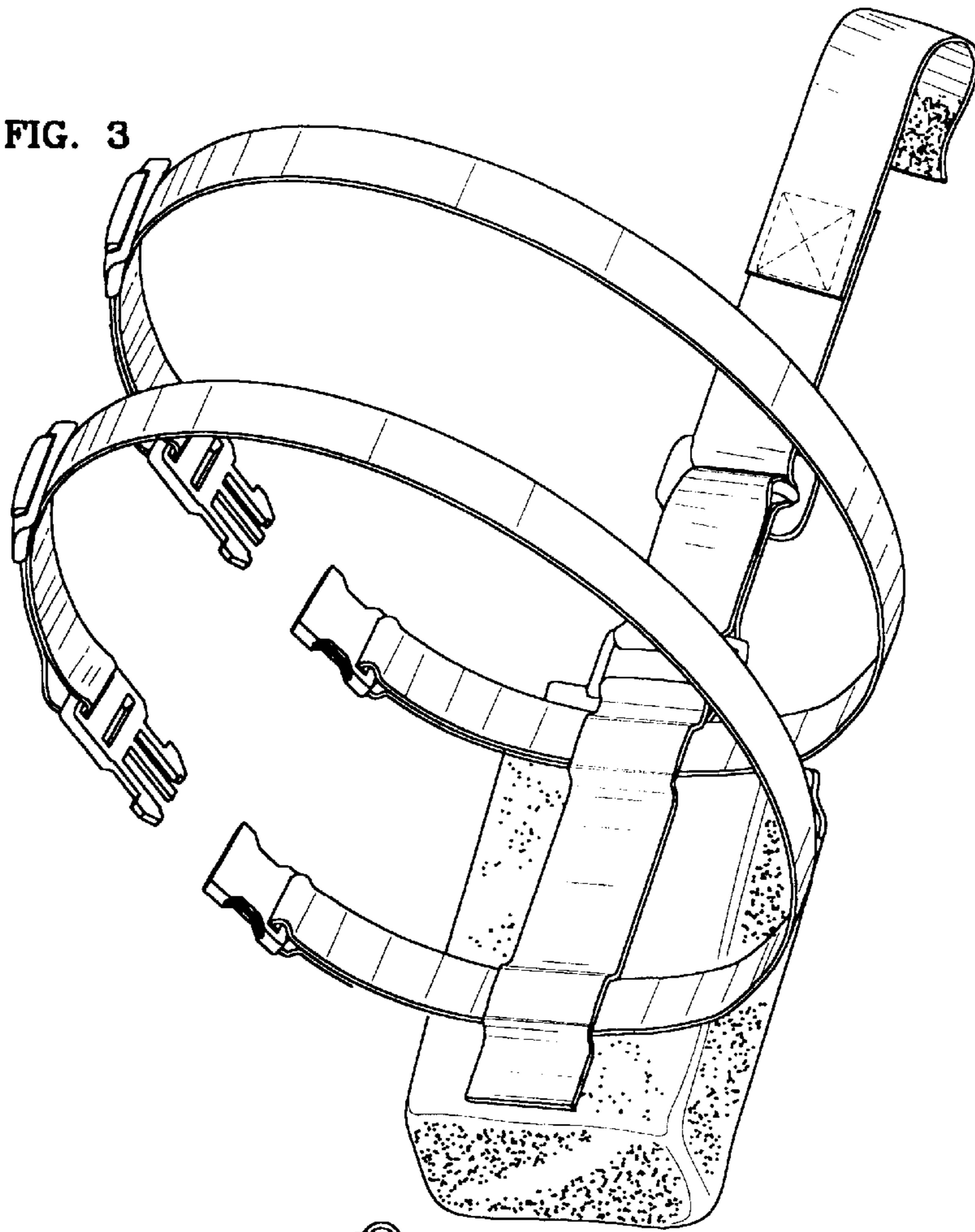


FIG. 4